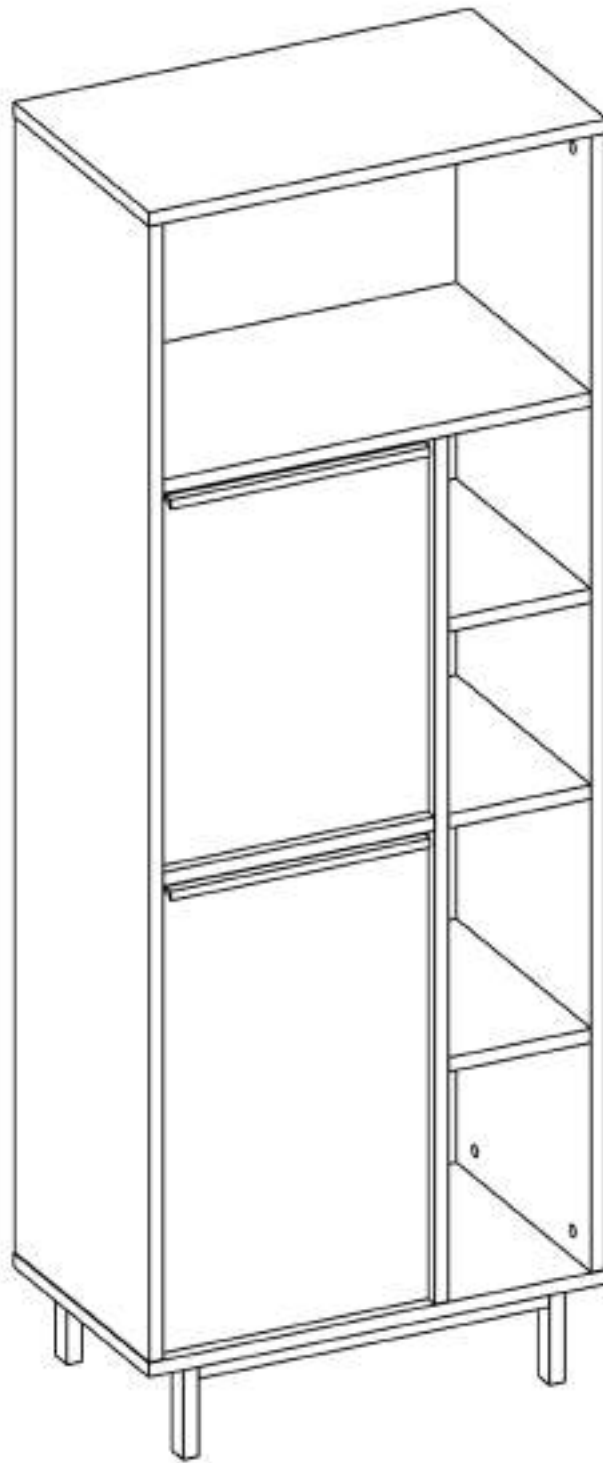












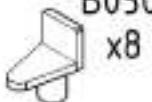


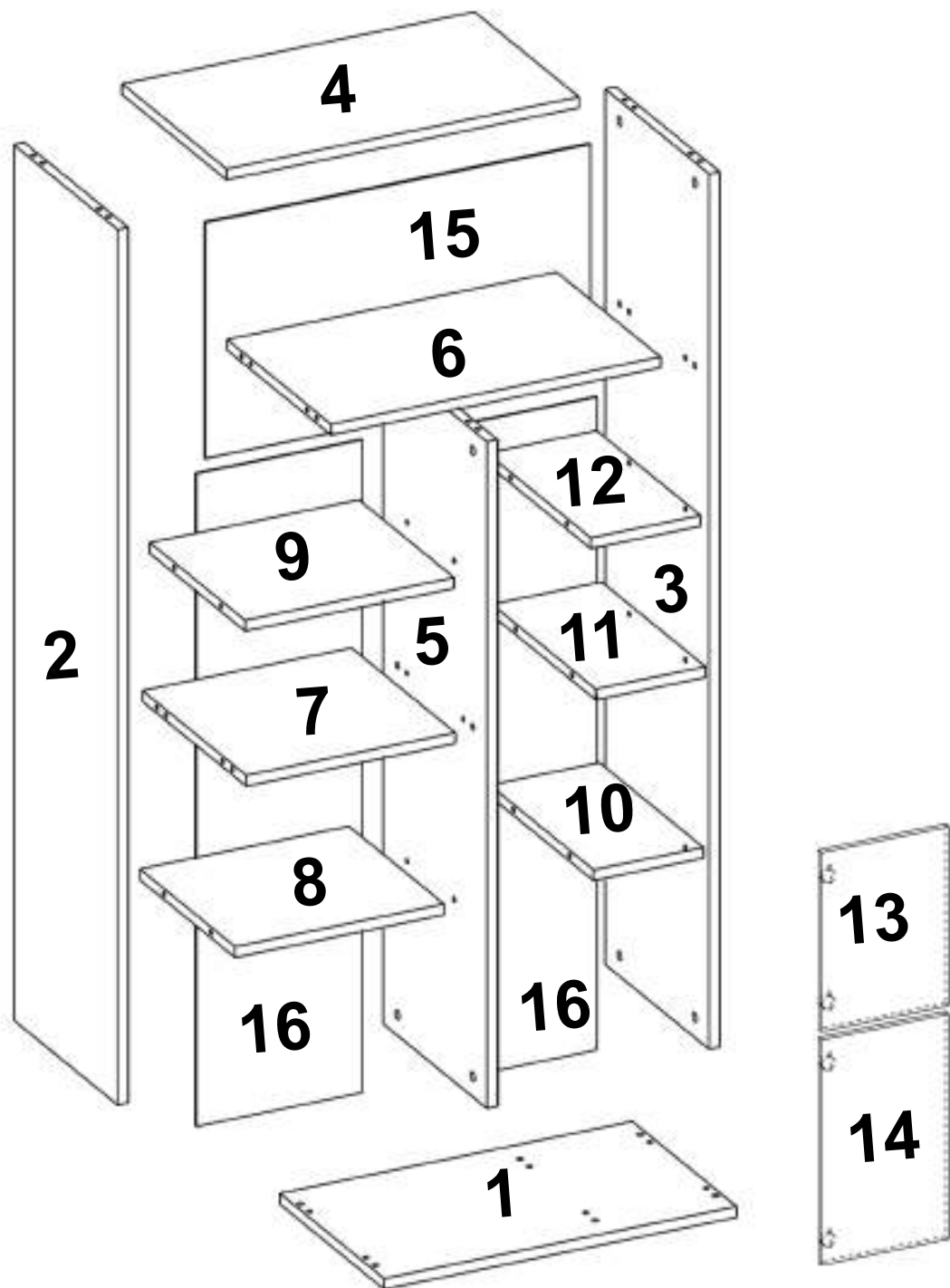


ON10



| | | | | |
|--|--|---|--|---|
|  B0501 x16 |  B0502 x20 |  B0503 x14 |  B0504 x16 |  B0301 x16 |
|  B0324 x4 |  B1702 x4 |  B0103 x4 |  B0105 x4 |  B0307 x4 |
|  B0203 x2 |  B0318 x35 | B1301 x4 | |  B0509 x8 |
|  B0507 x8 |  B0505 x2 | | | |





B0502



x4

B0503



x4

B0504



x4

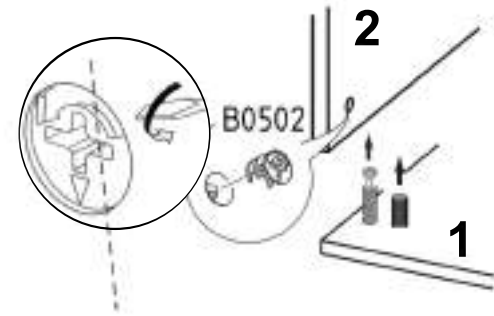
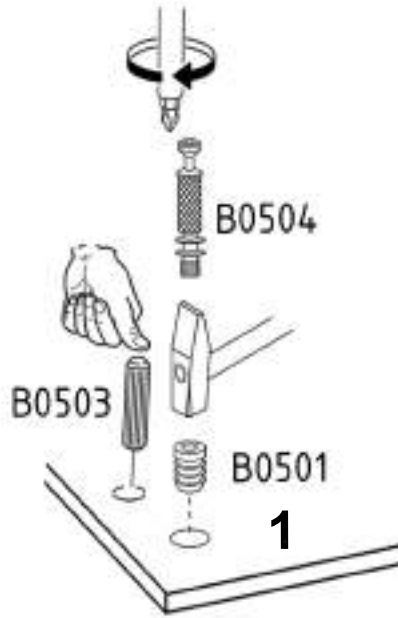
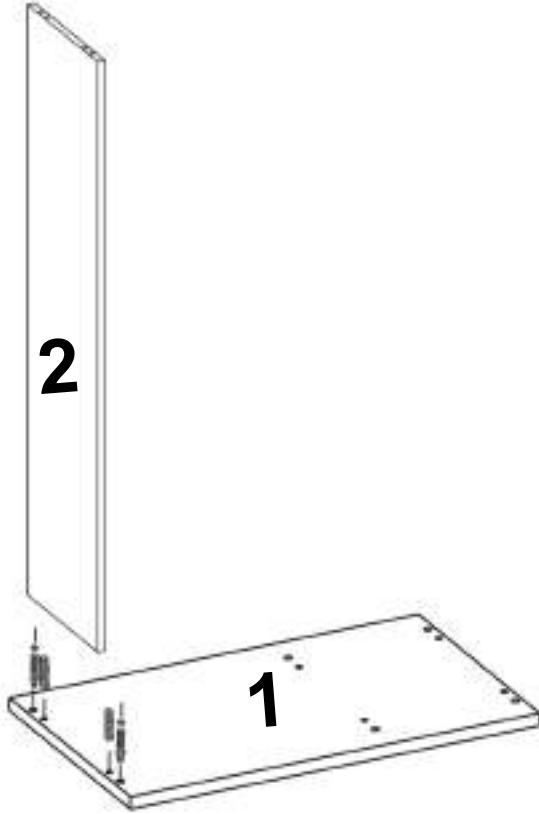
B0501



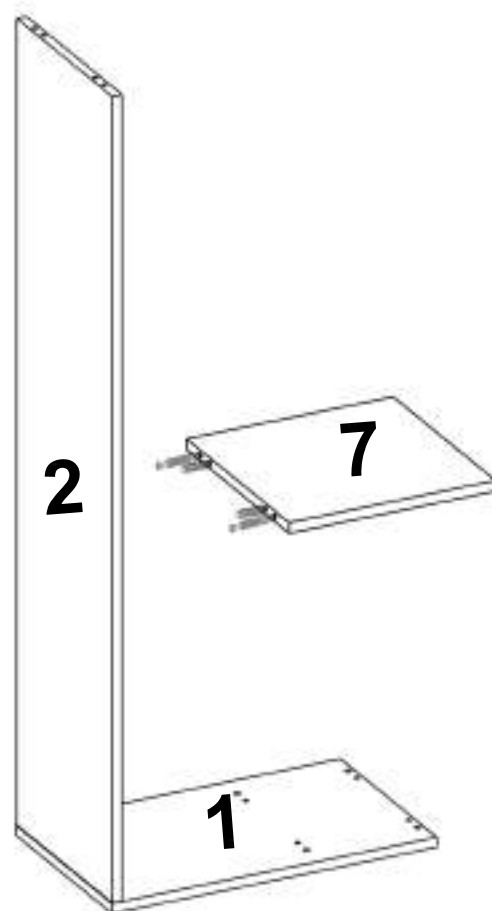
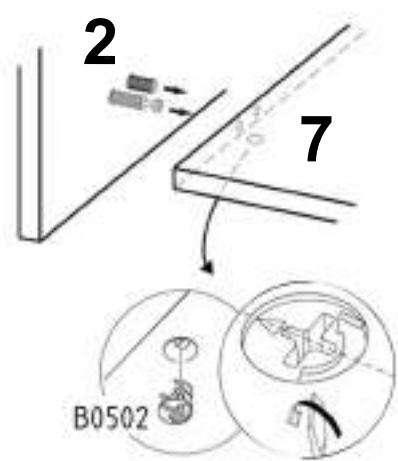
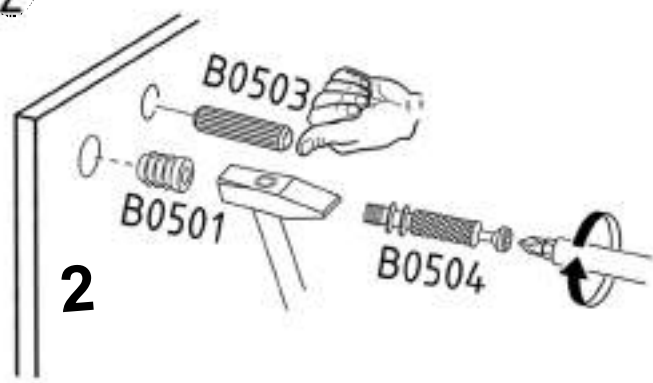
x4



1



2



2



B0506



x2

B0502



x10

B0503



x6

B0504



x6

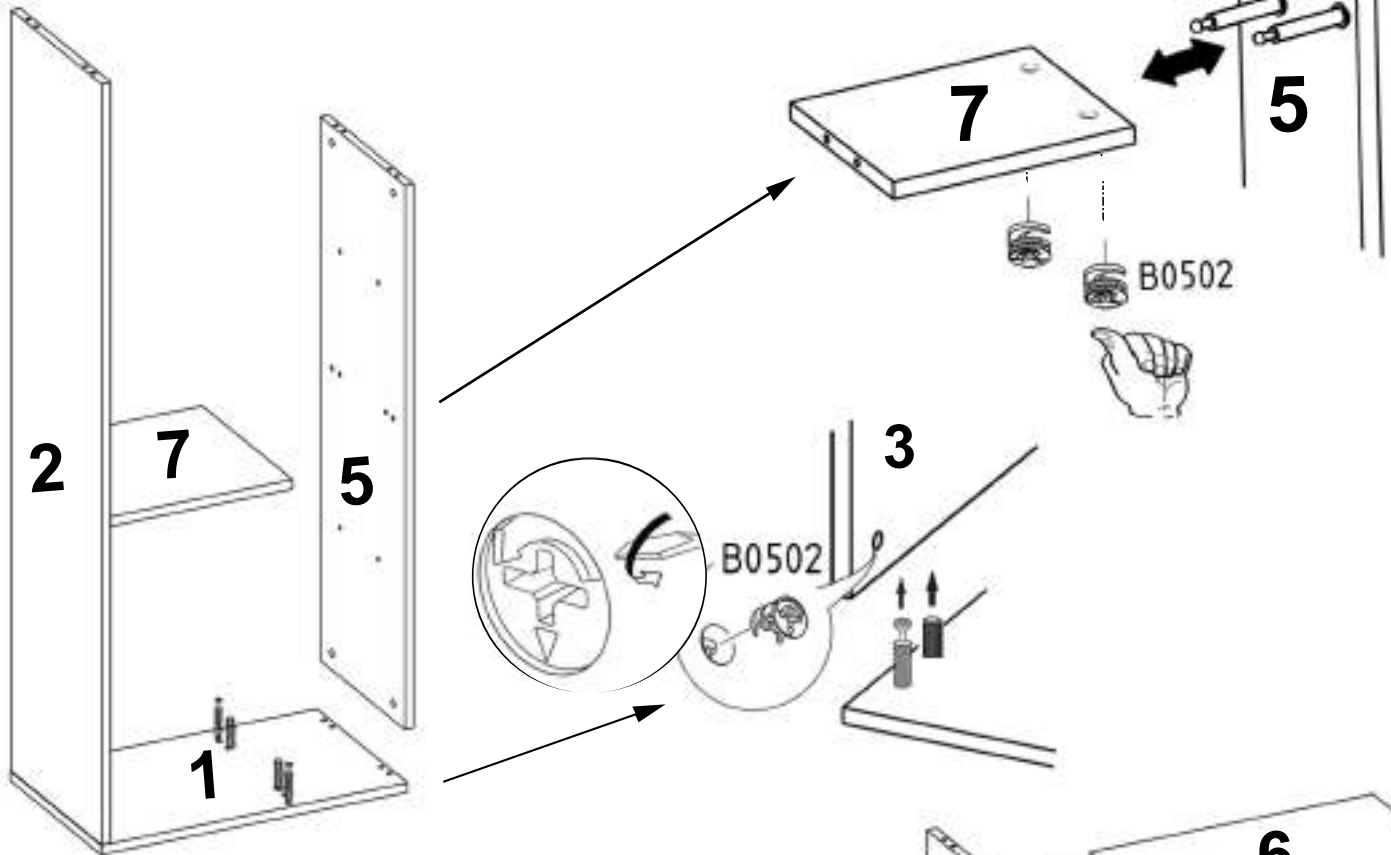
B0501



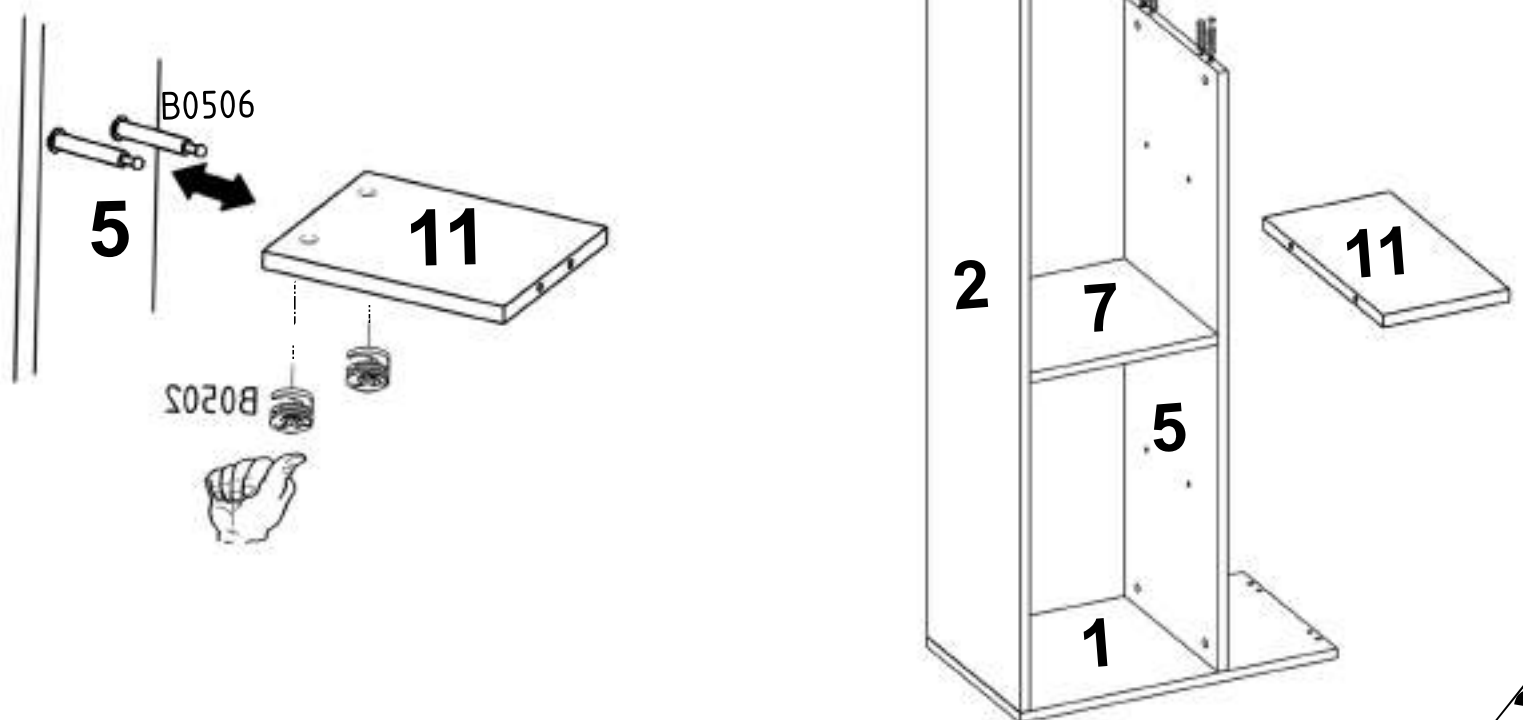
x6



3



4



3



B0502

B0503

B0504

B0501



x10



x10



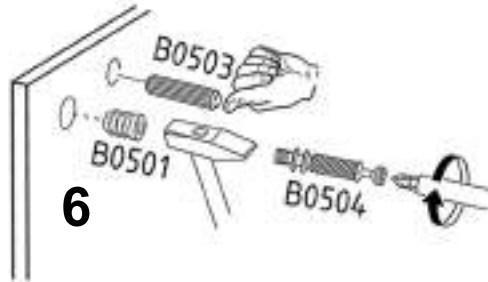
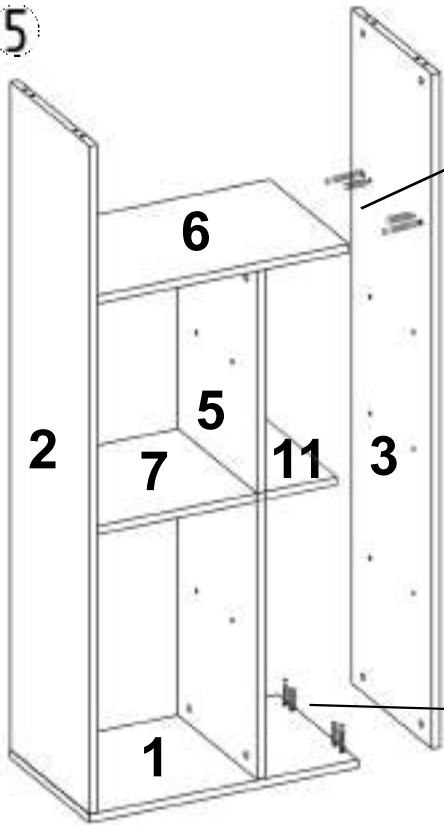
x10



x10



5



6

B0504

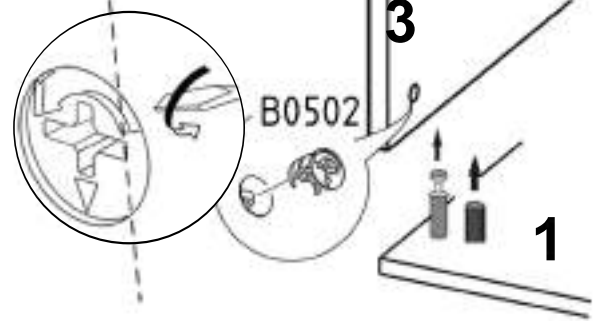
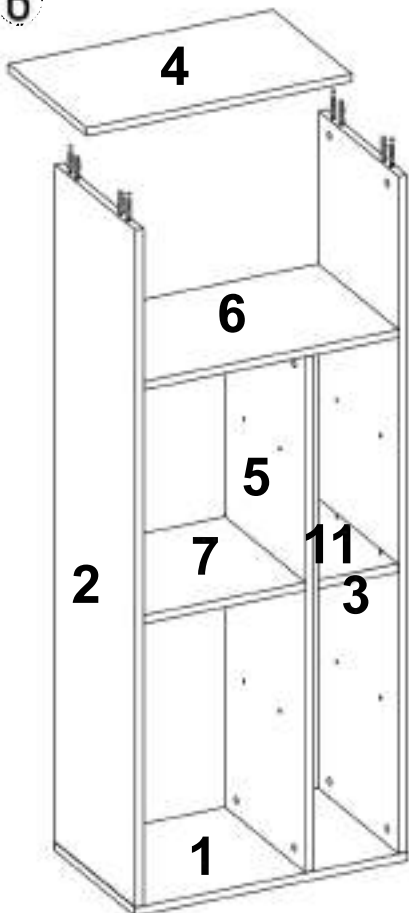
6

3



B0502

6



3

B0502

1

4

B0502

2-3



B0509



x8

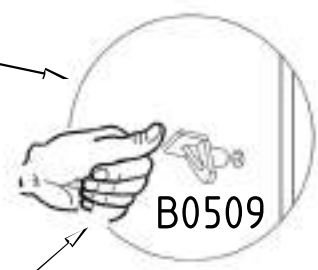
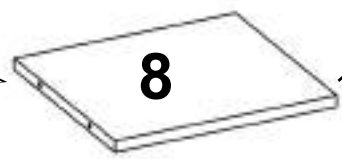
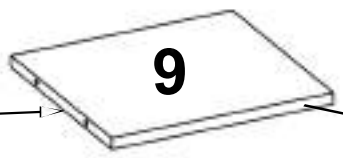
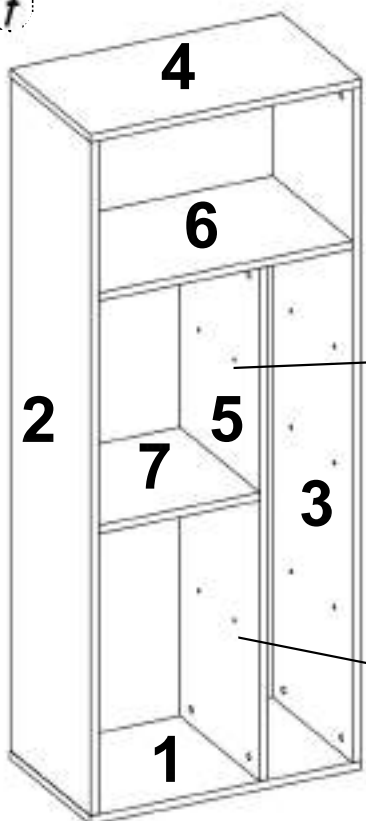
B0507



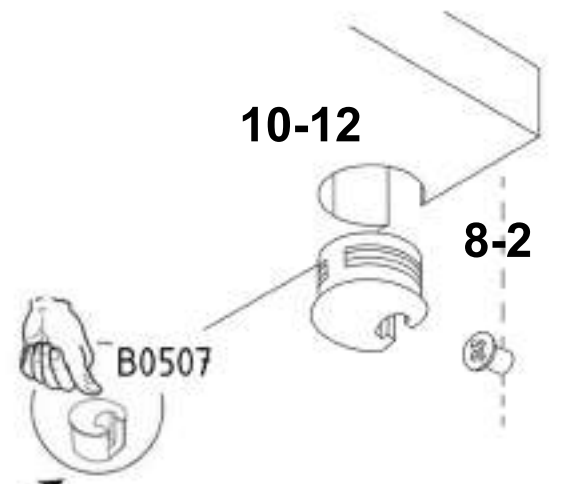
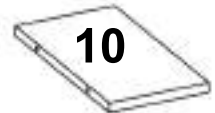
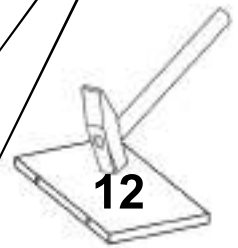
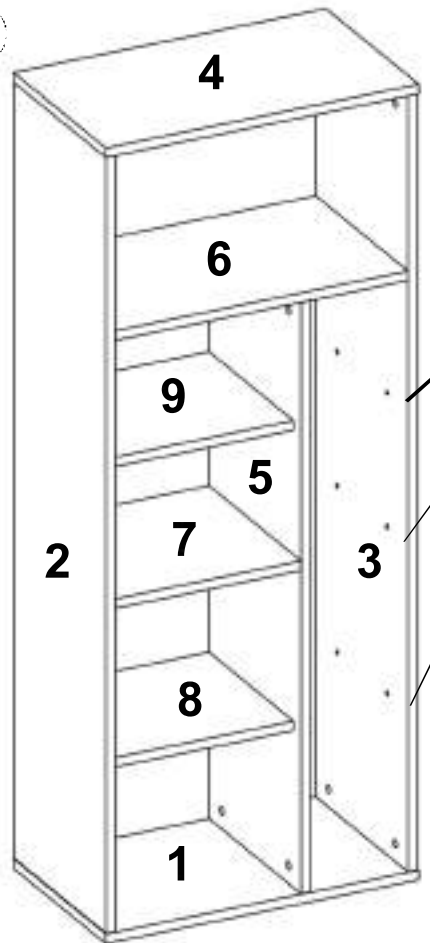
x8



7



8



5



B0324

D0802



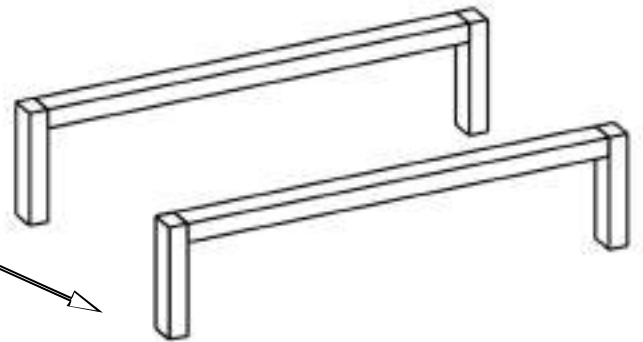
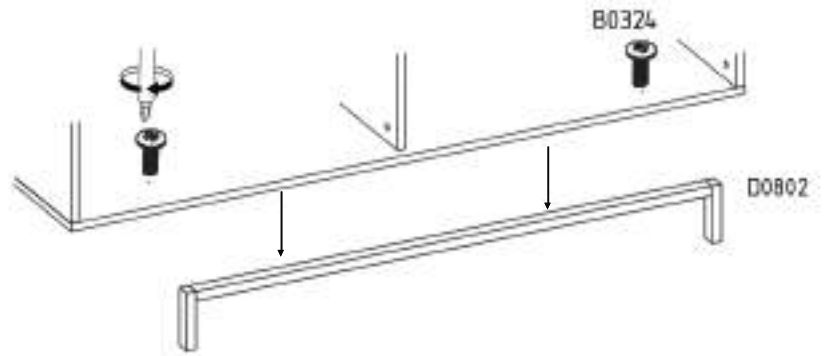
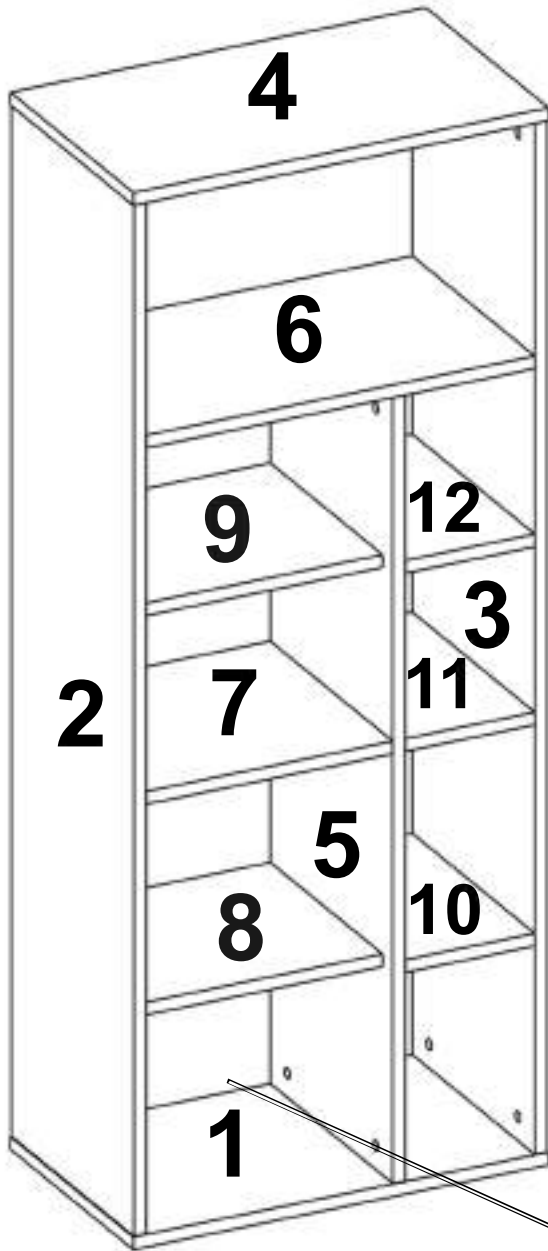
x4



x2



9



6



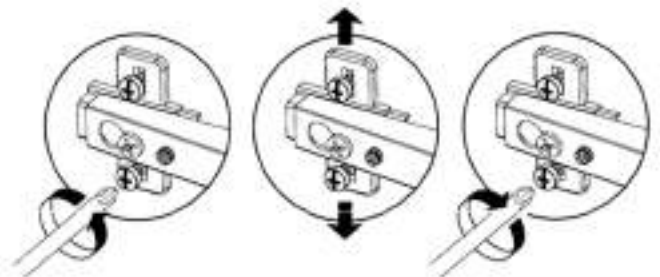
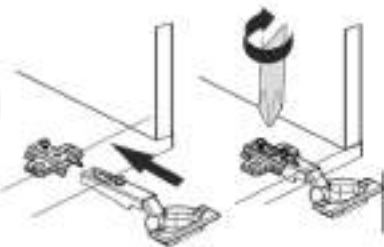
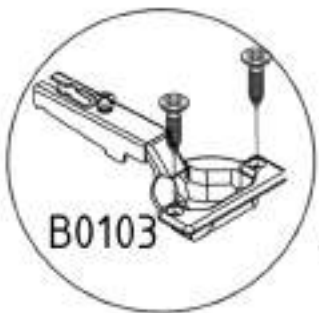
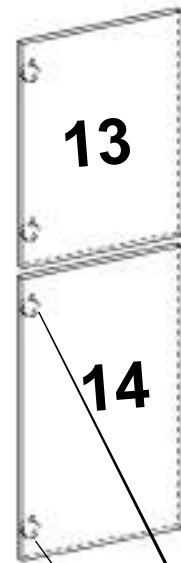
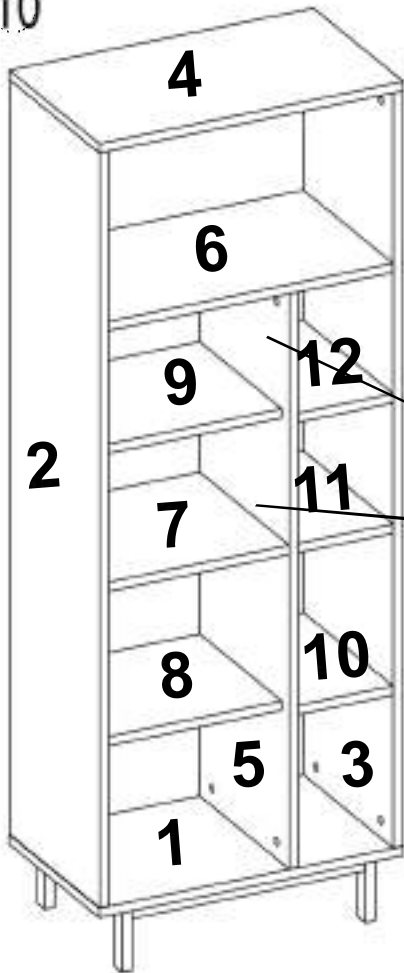
B0301
x16

B0103
x4

B0105
x4

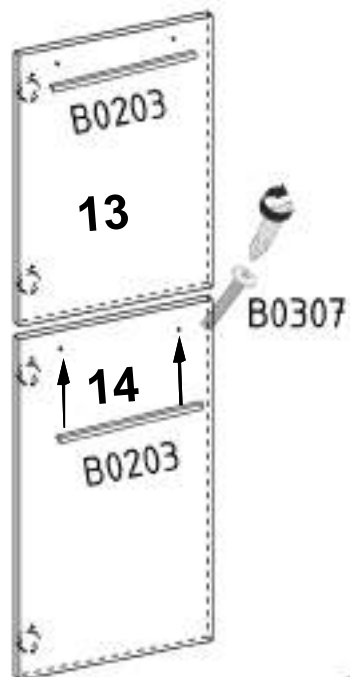
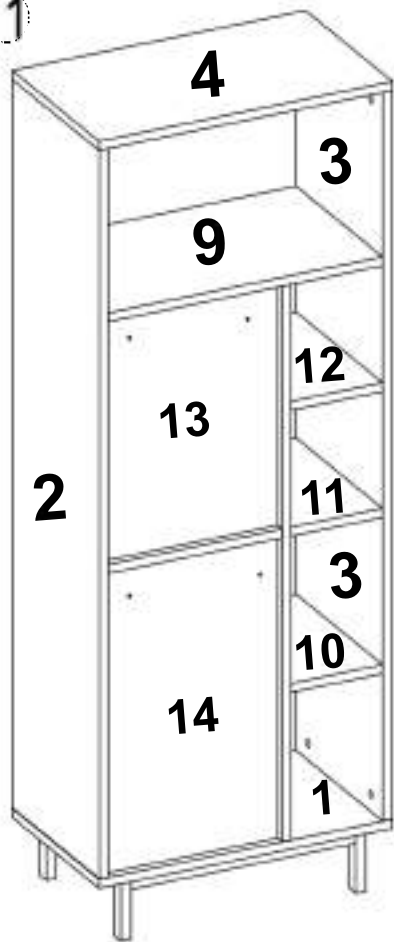


10

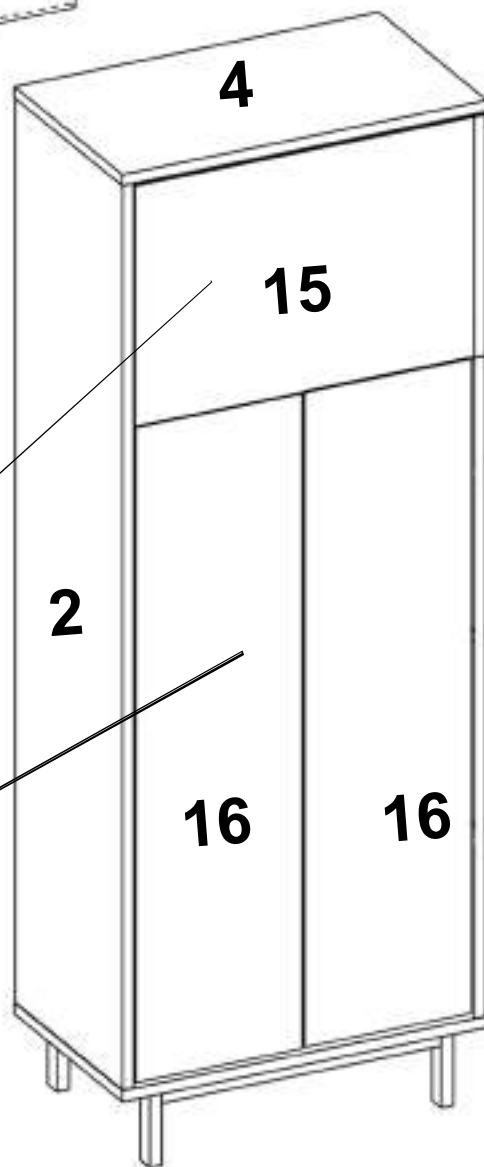




11



12





B1702



X4



13

