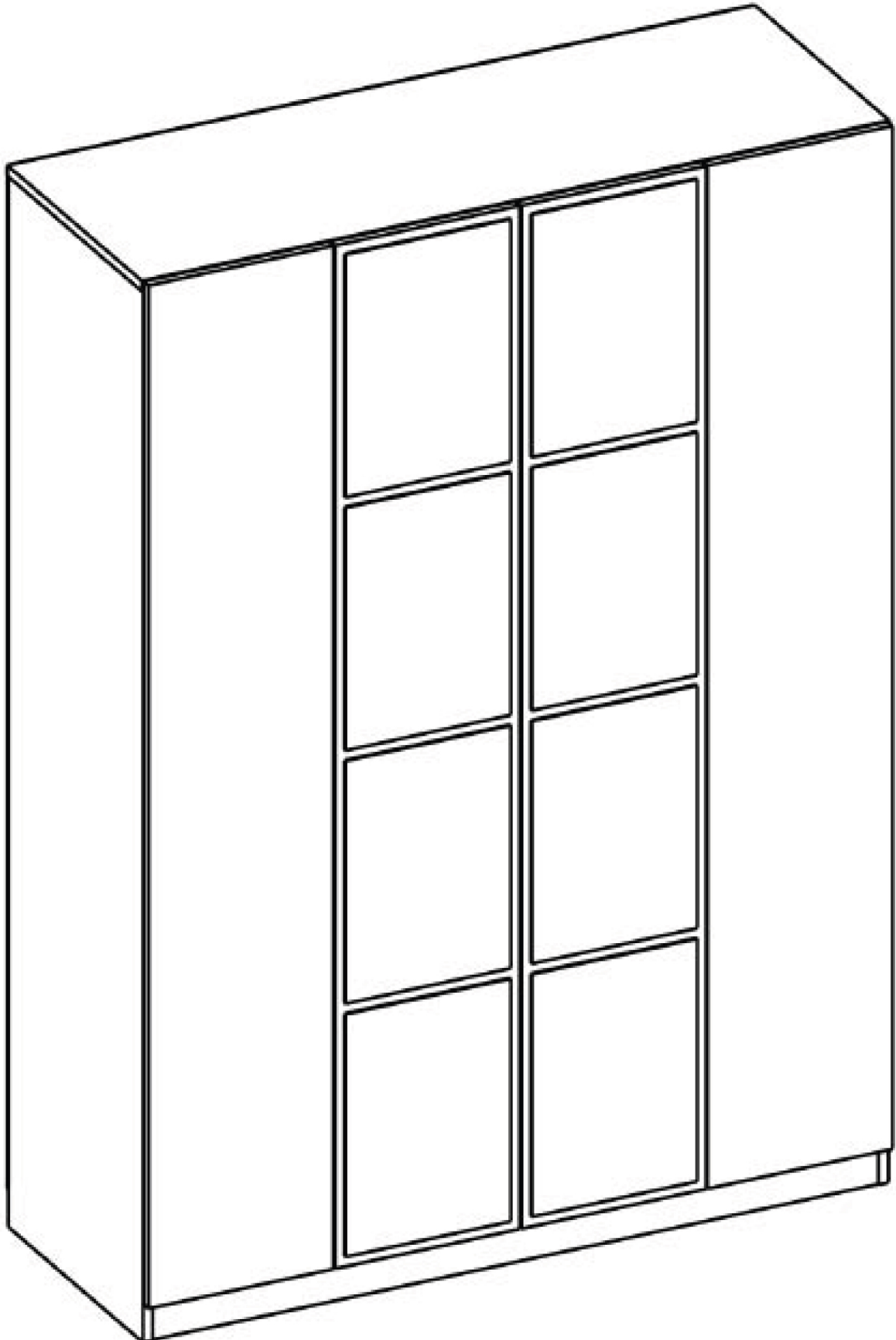
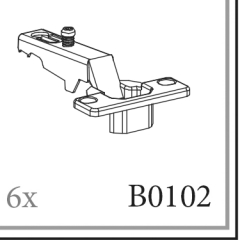
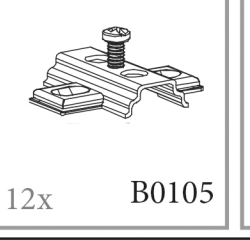
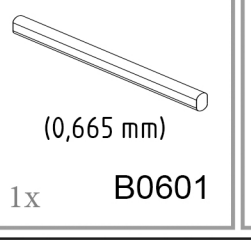
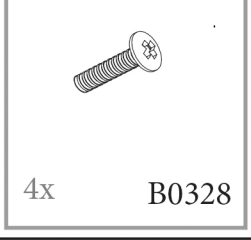
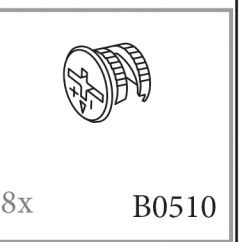
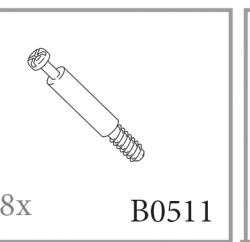
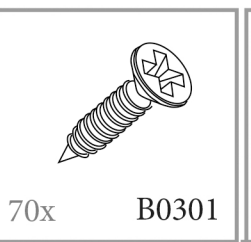
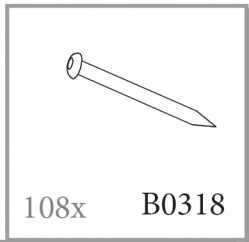
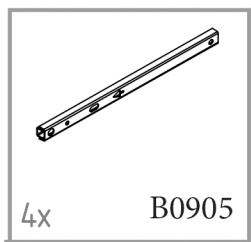
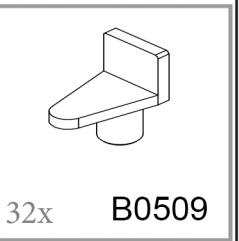
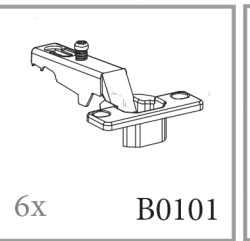
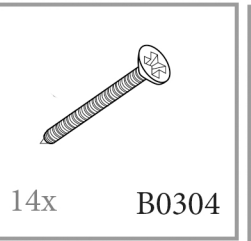
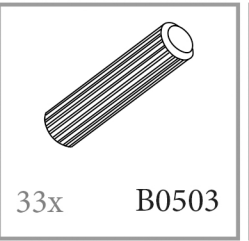
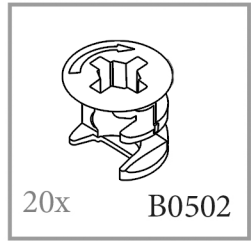
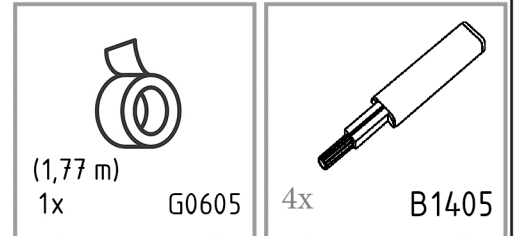
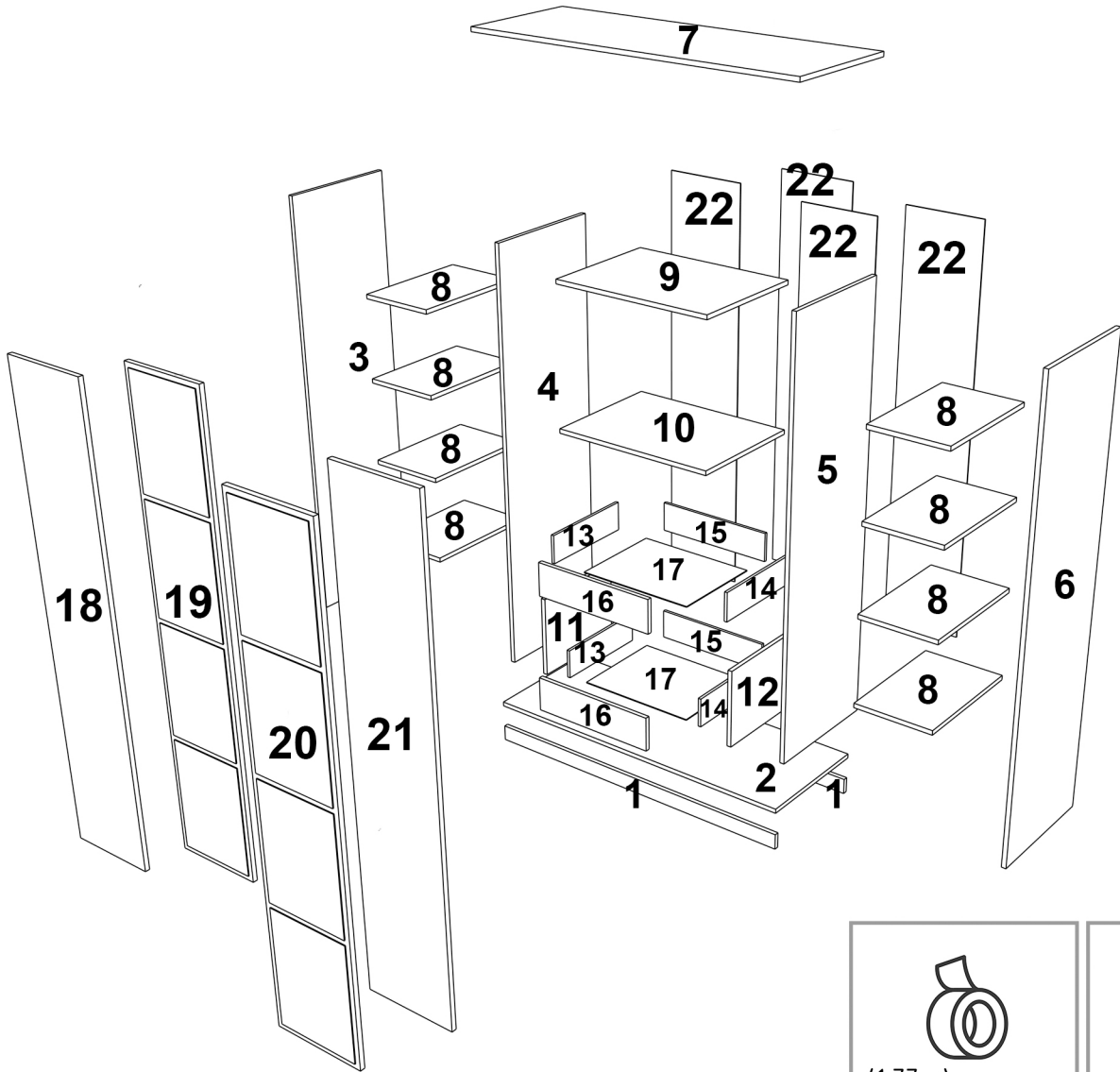
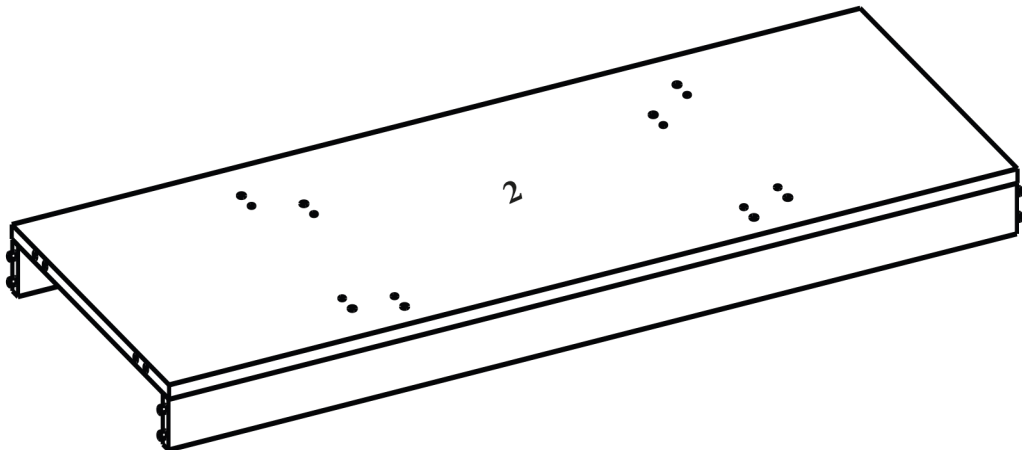
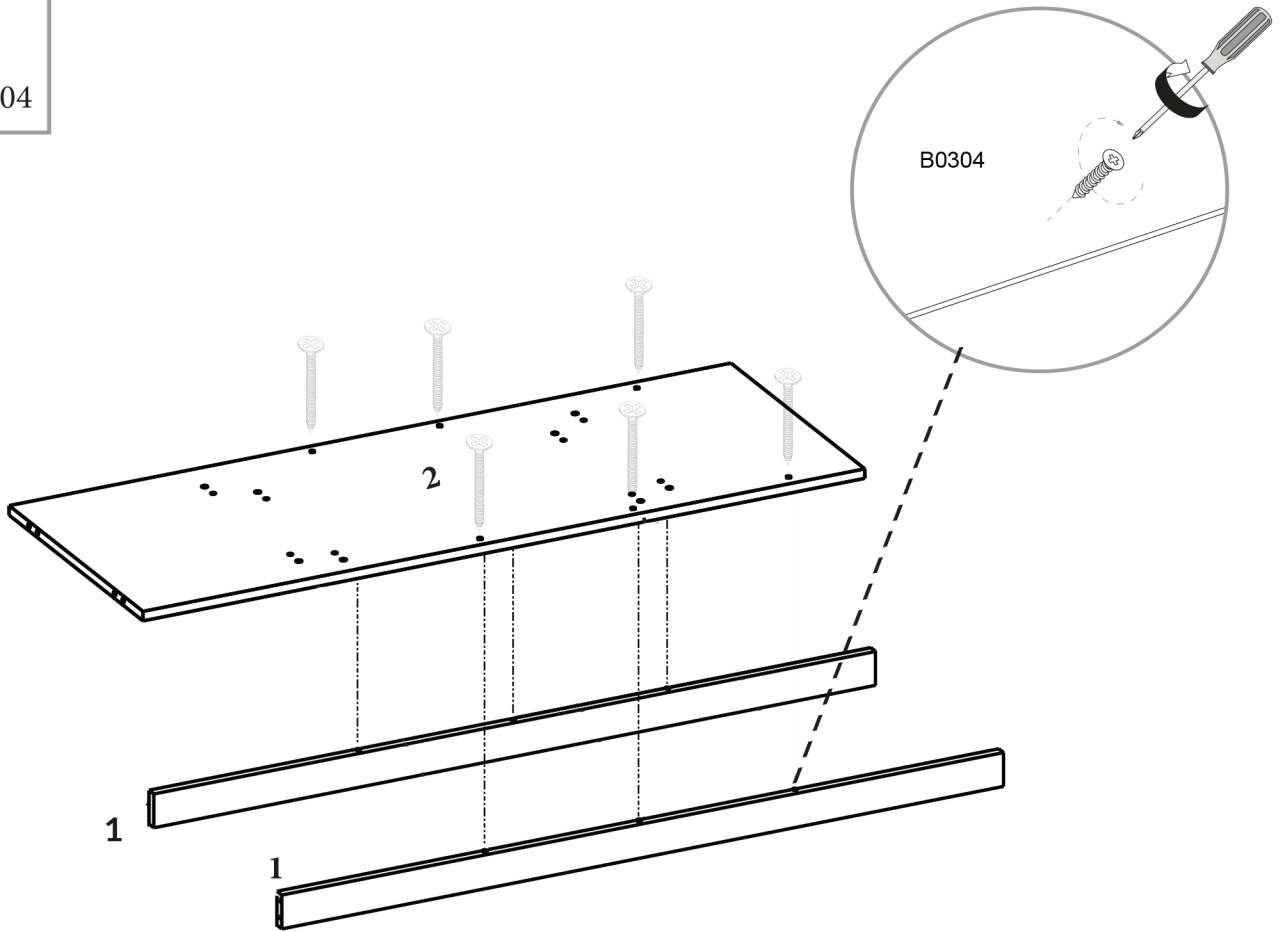
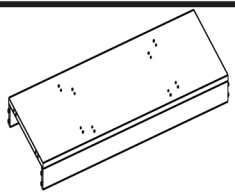
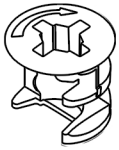
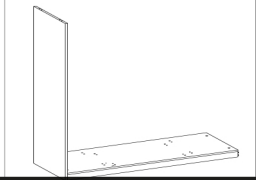


# HM2

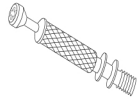








2x B0502



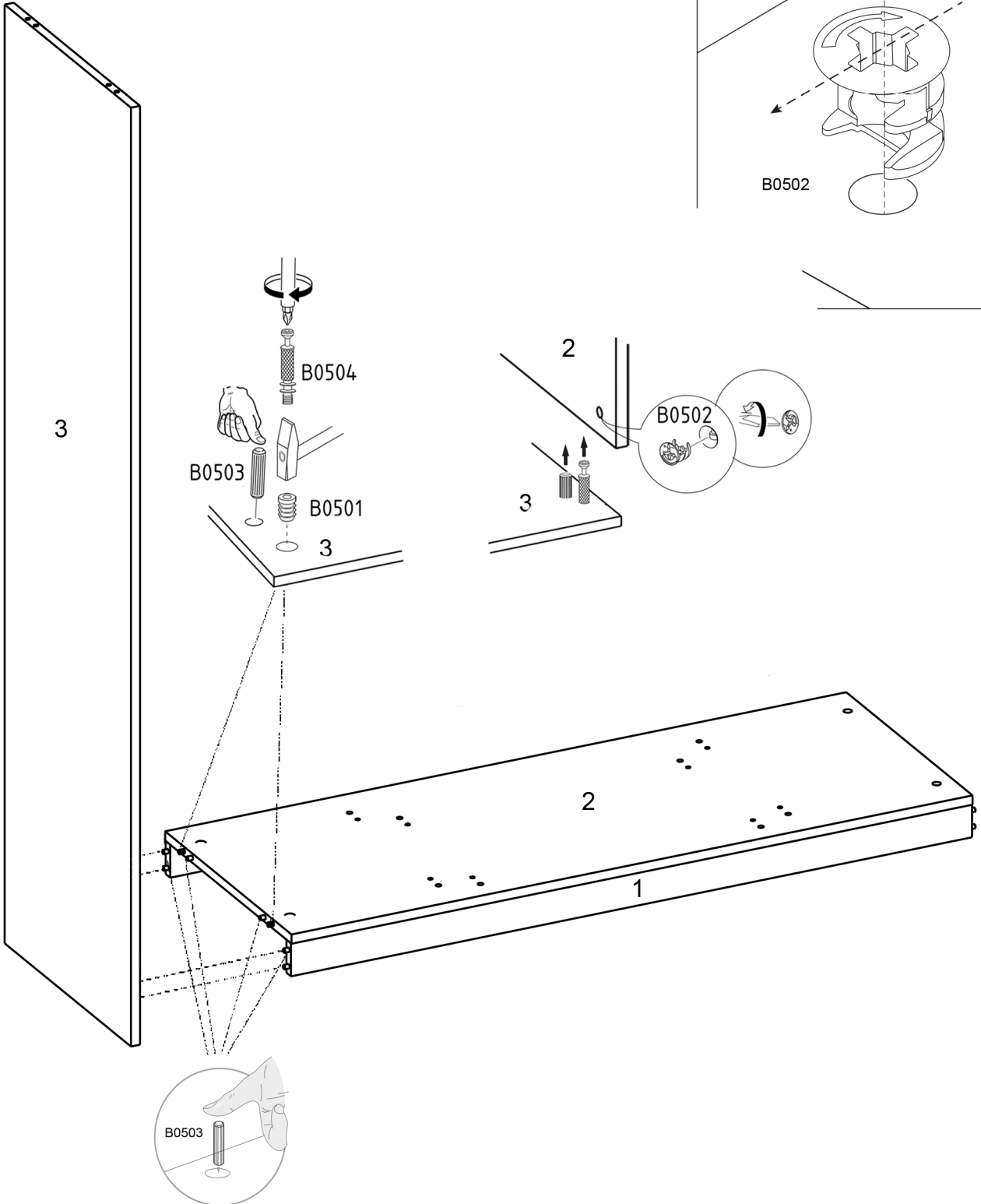
2x B0504



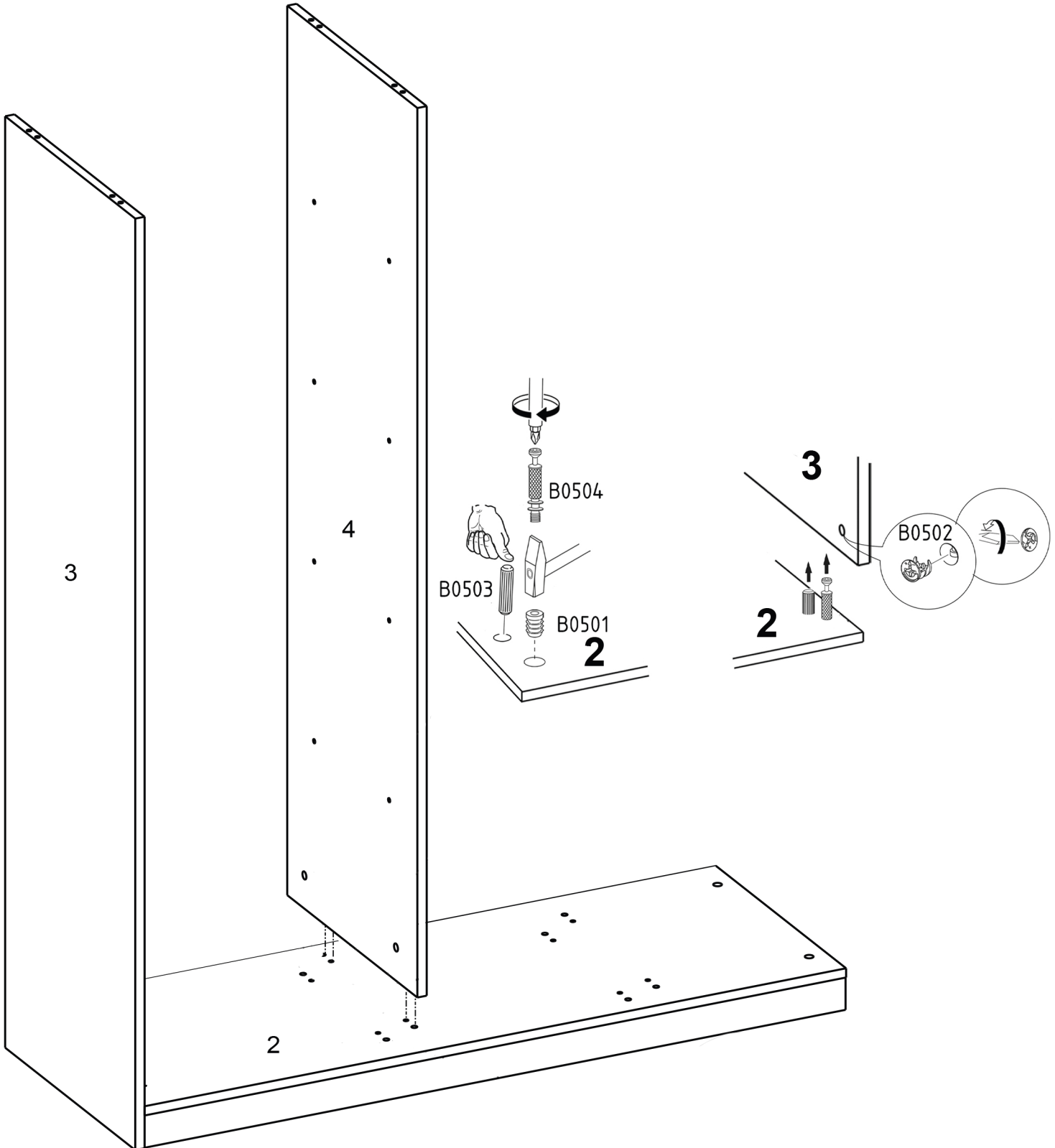
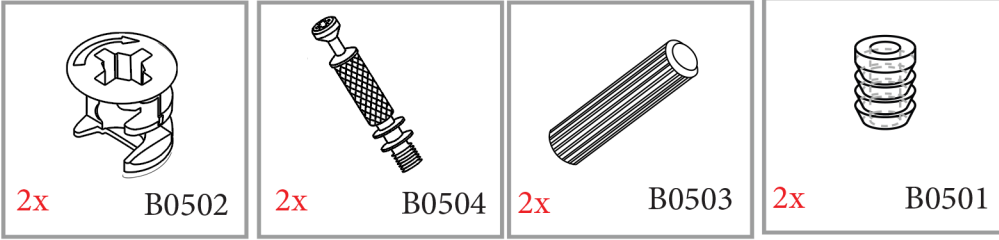
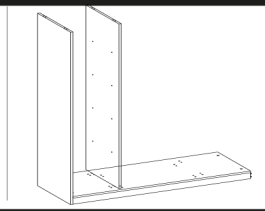
6x B0503

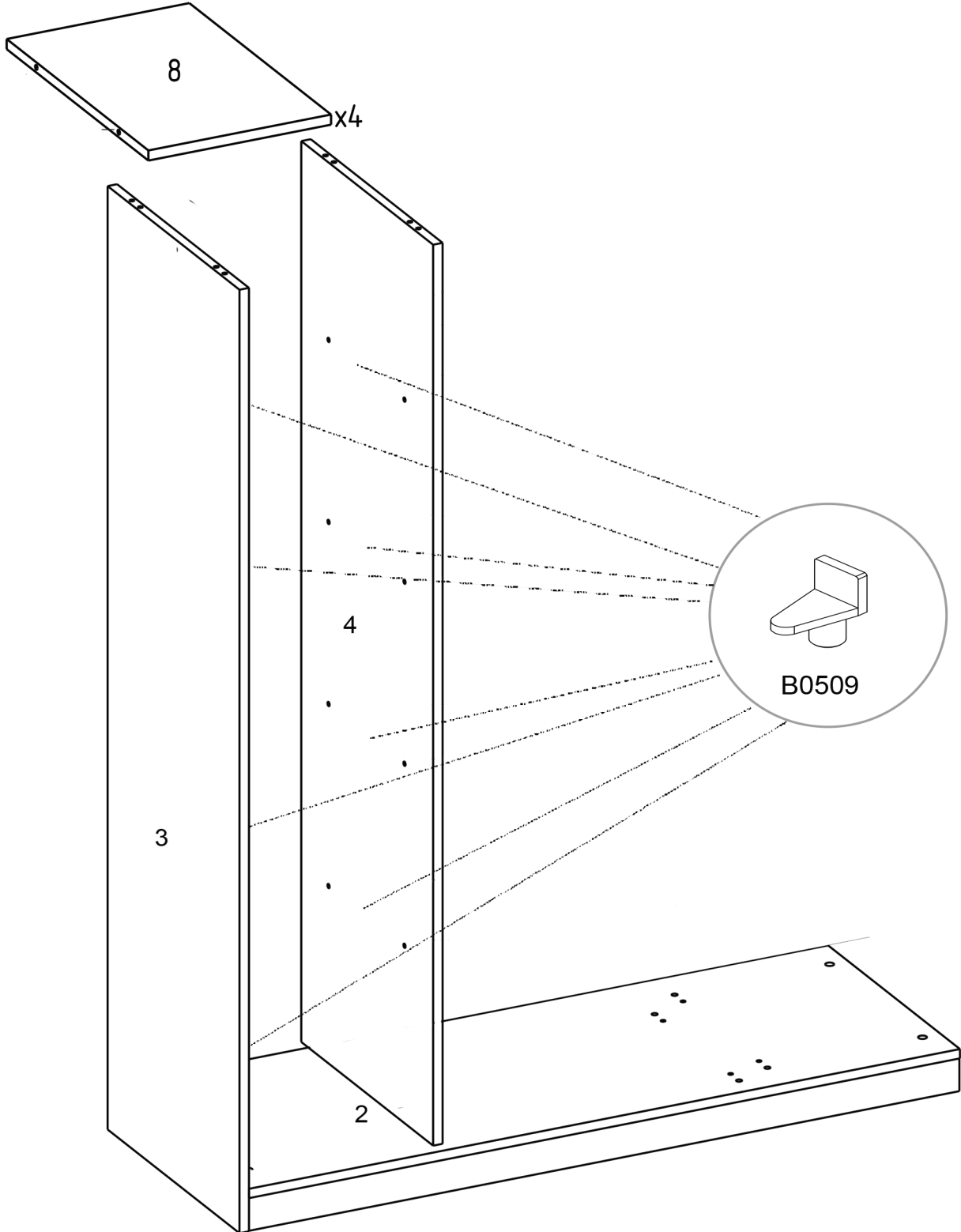
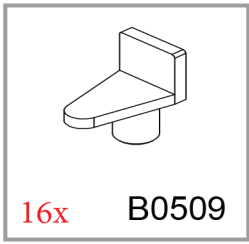
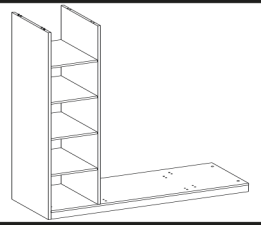


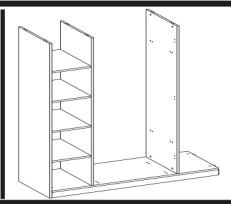
2x B0501



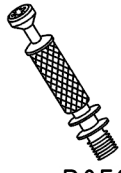




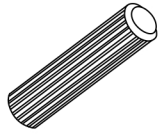




x2 B0502



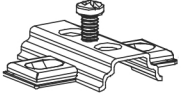
x2 B0504



x2 B0503



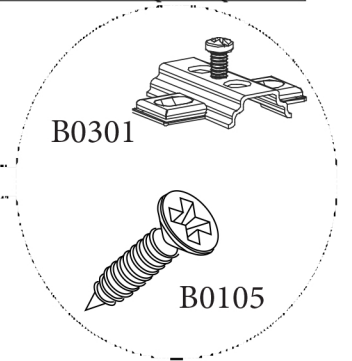
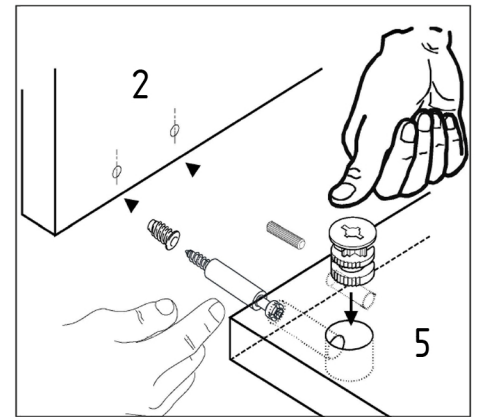
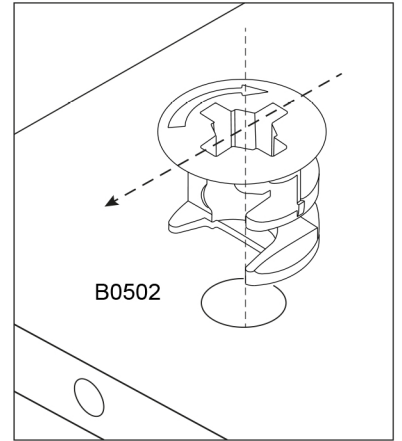
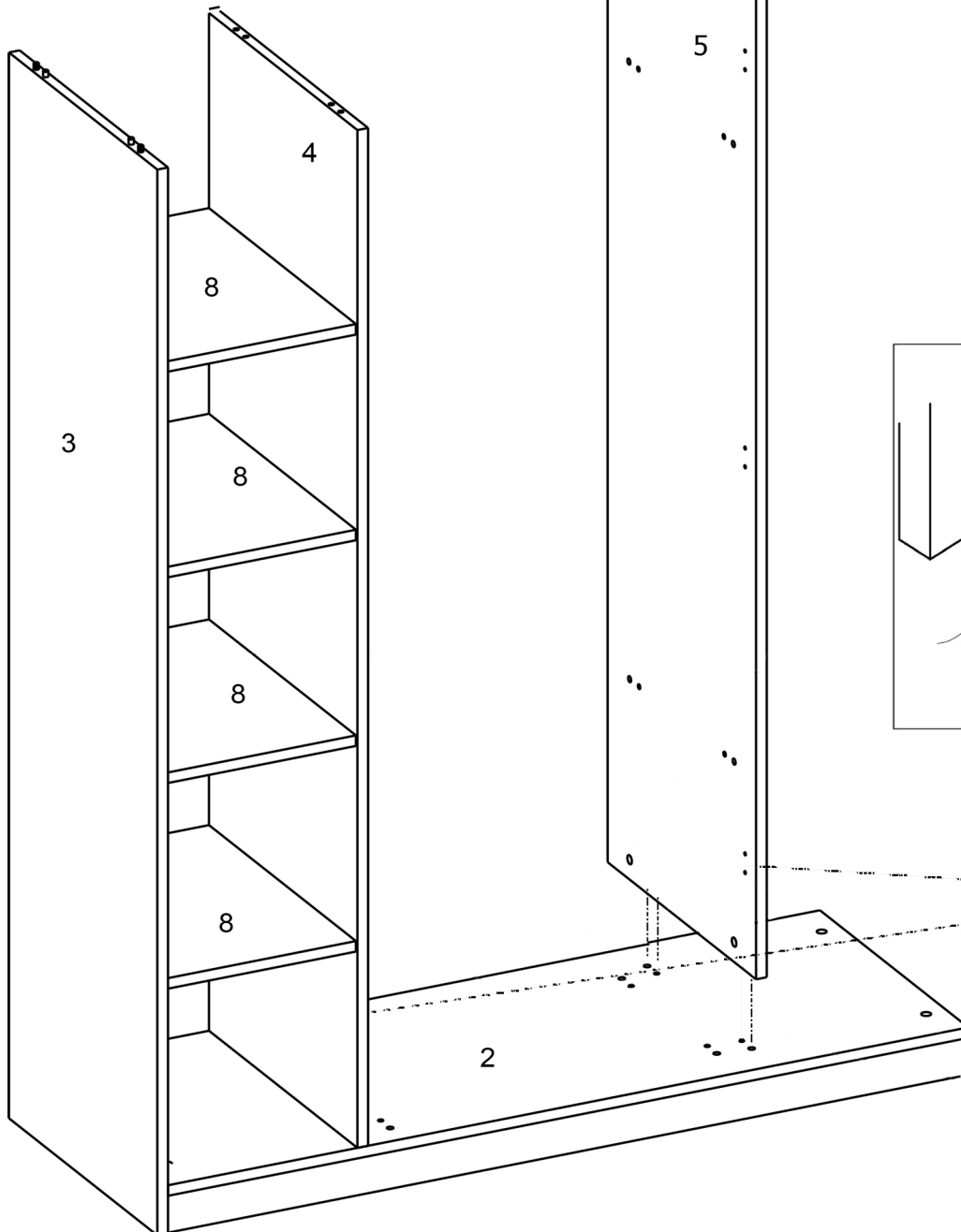
x2 B0501

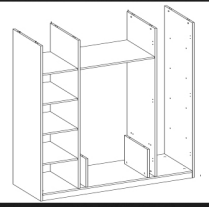


x2 B0105



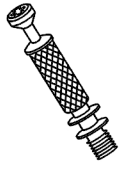
x4 B0301





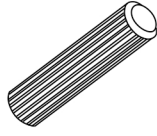
2x

B0502



2x

B0504



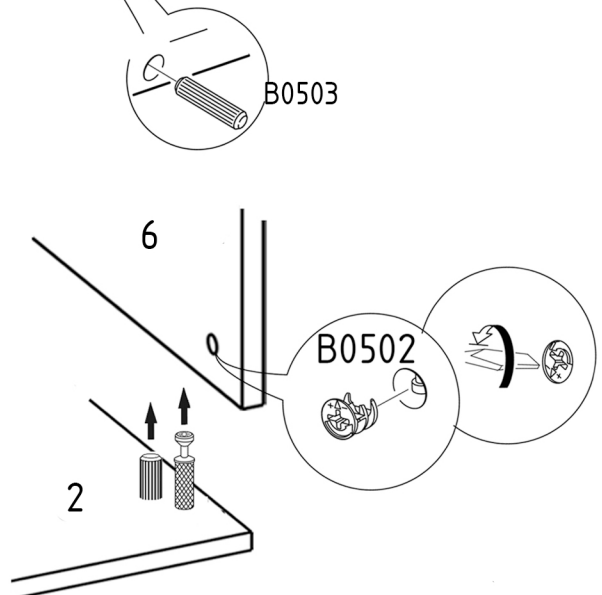
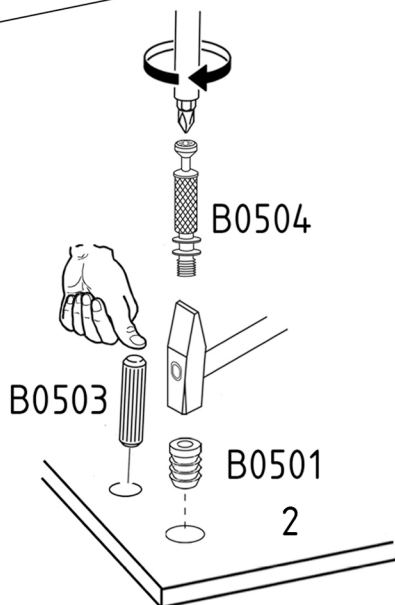
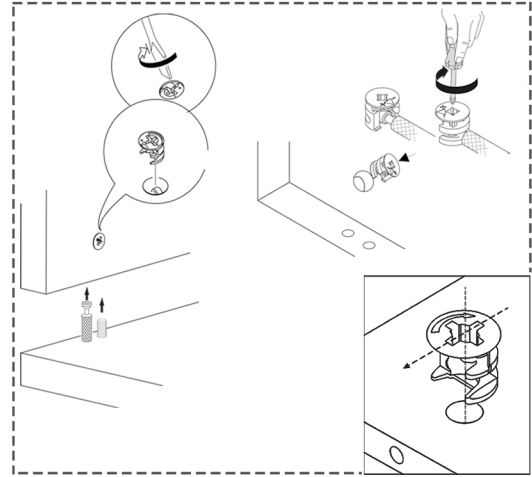
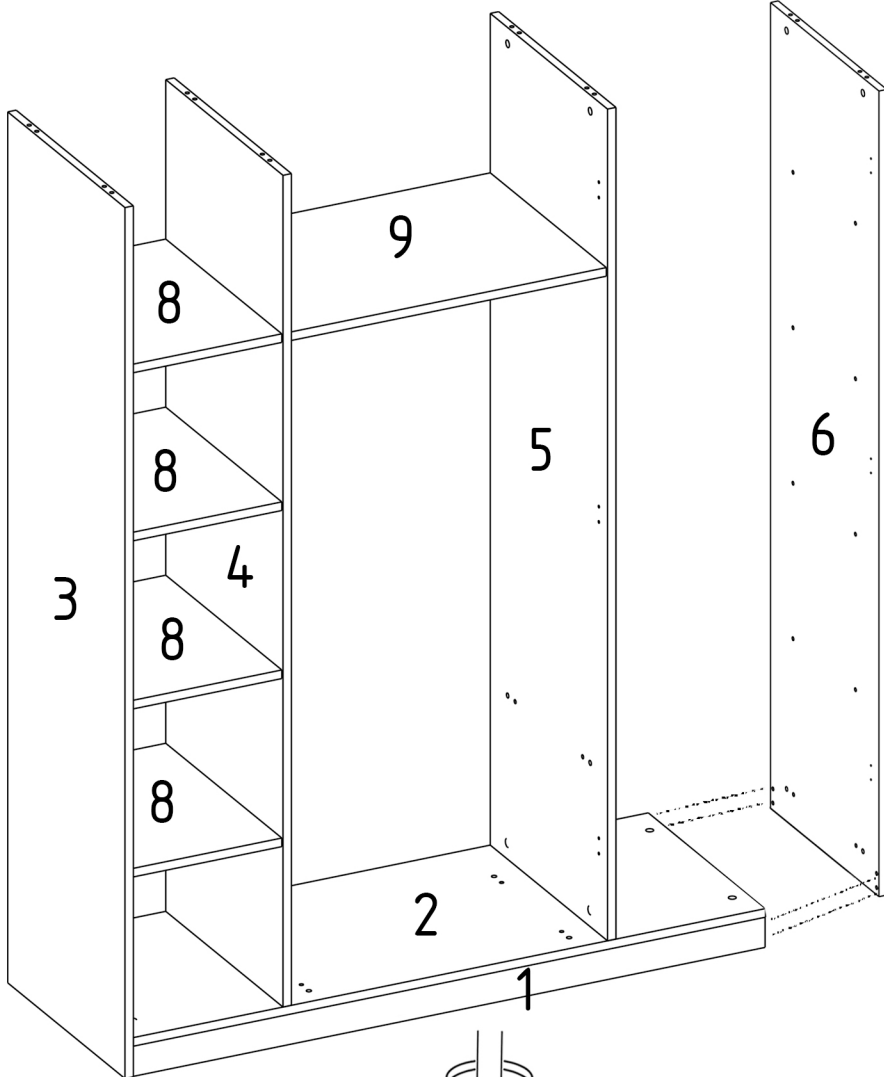
6x

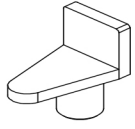
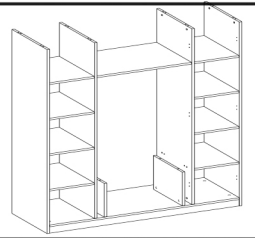
B0503



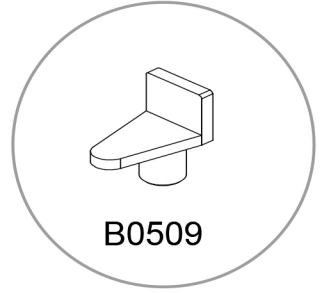
2x

B0501

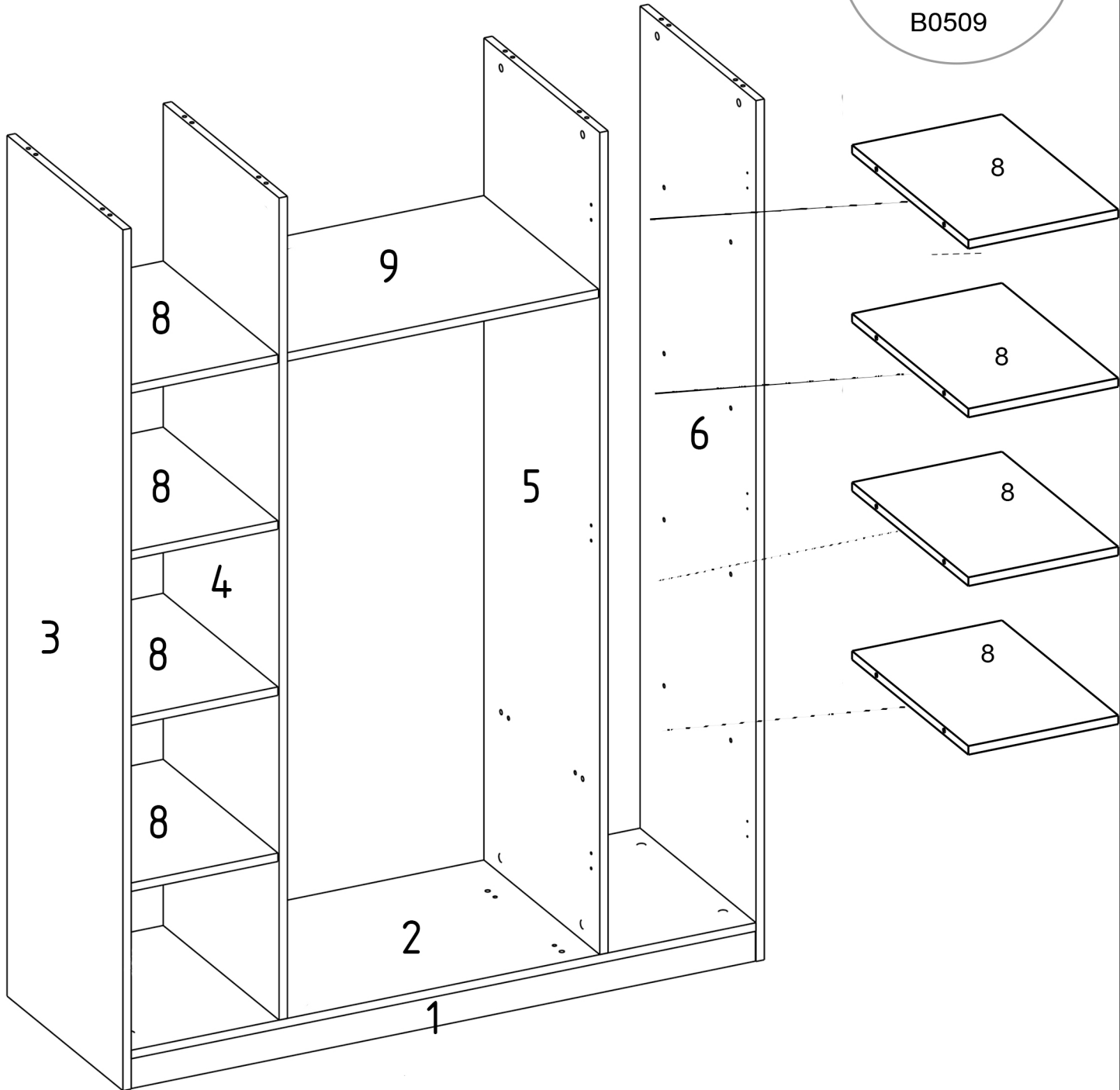




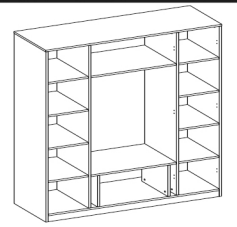
16x B0509



B0509

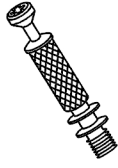


# HM2



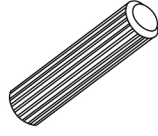
8x

B0502



8x

B0504



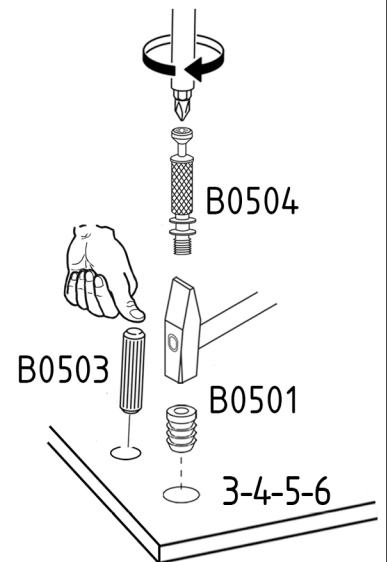
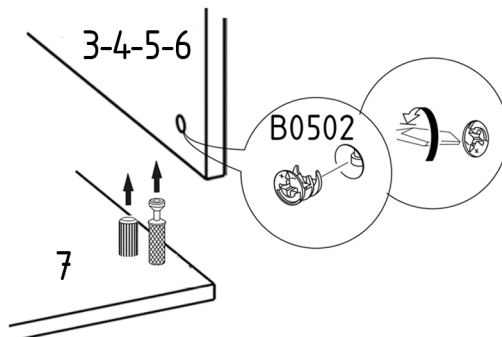
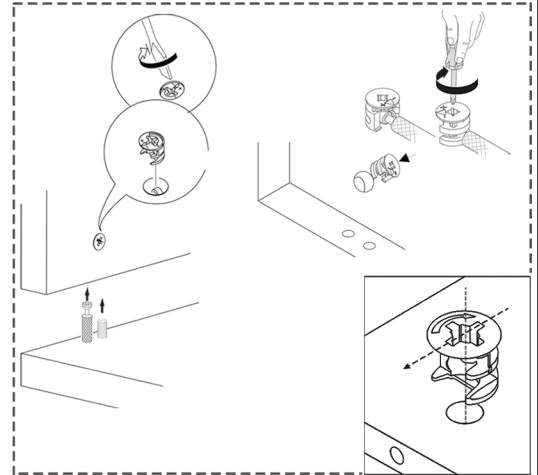
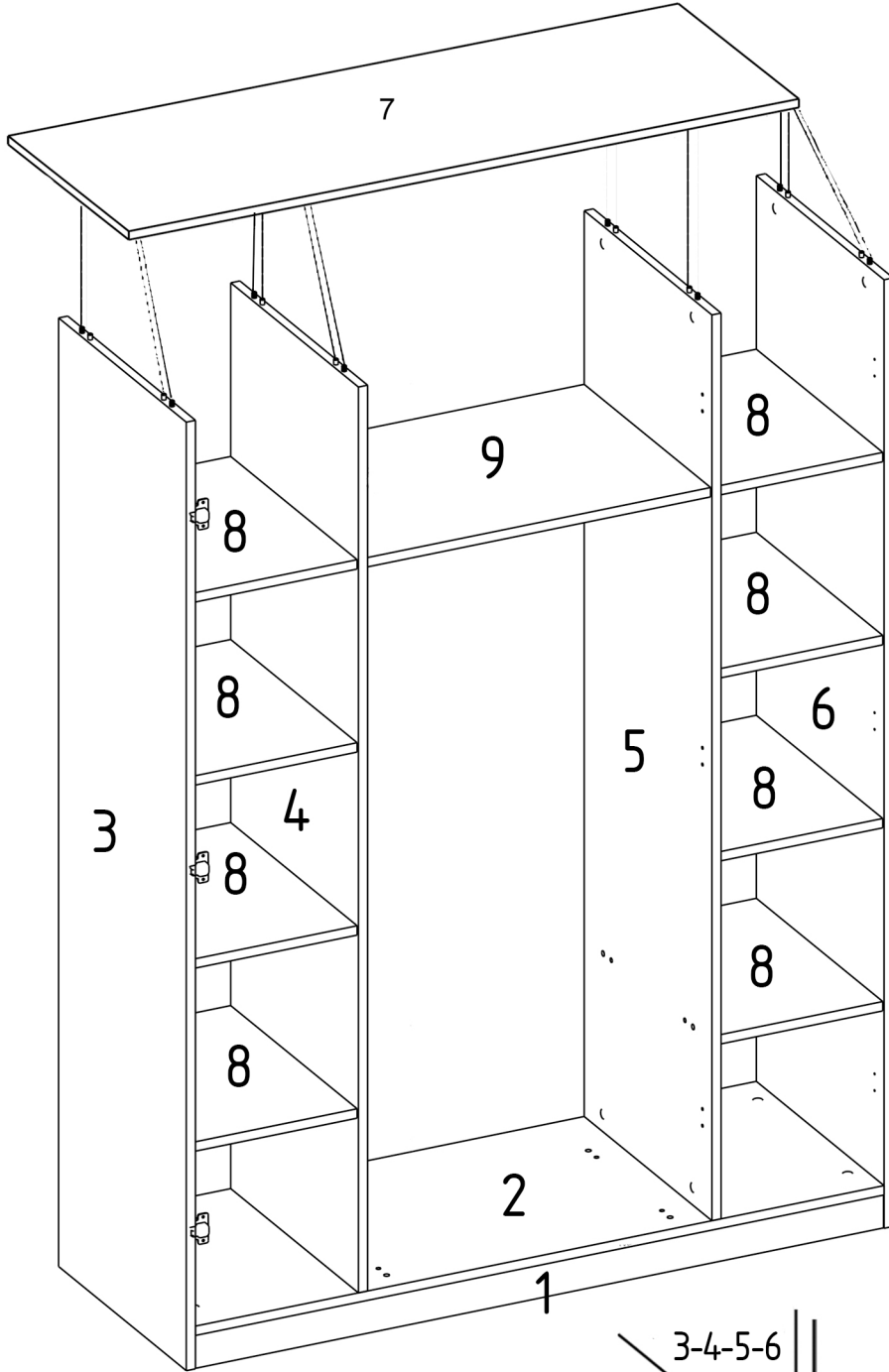
8x

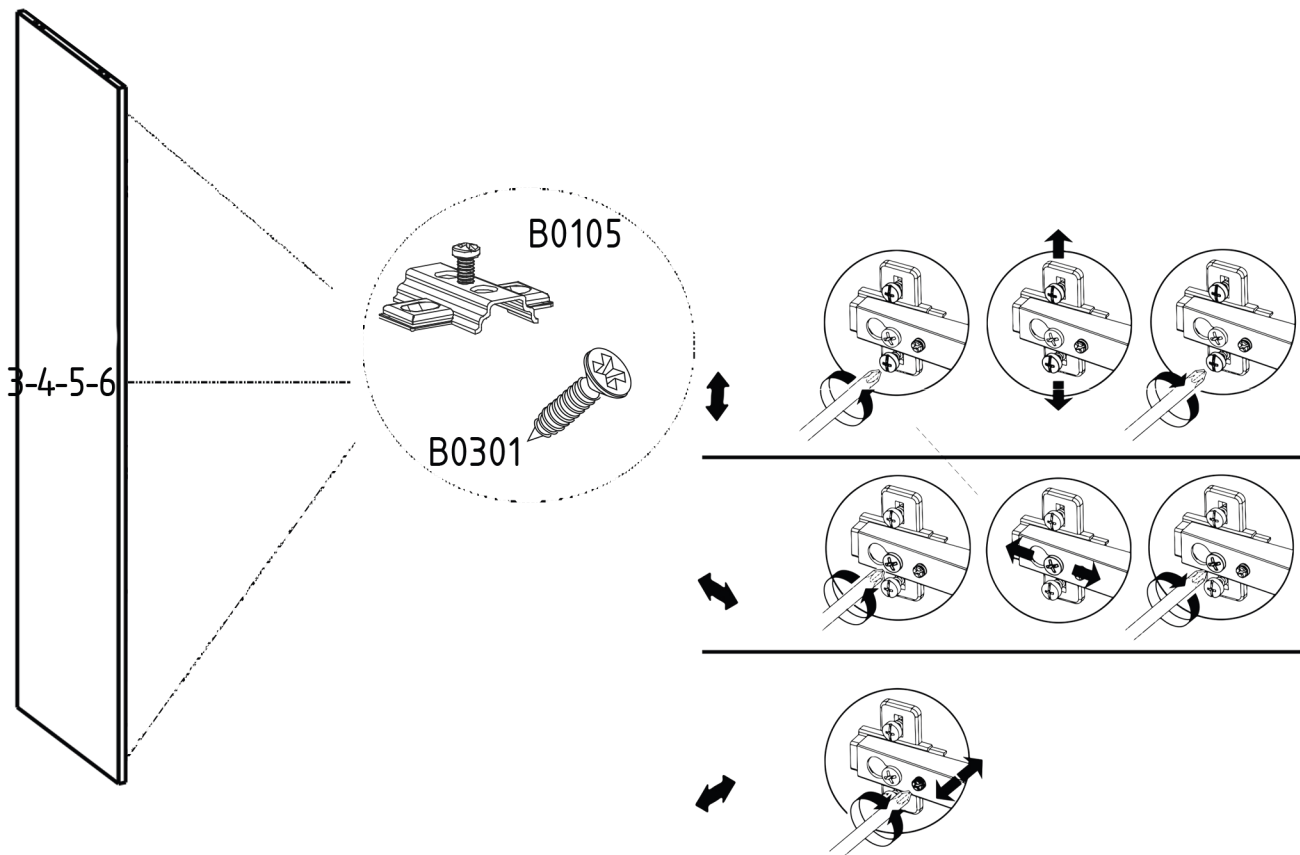
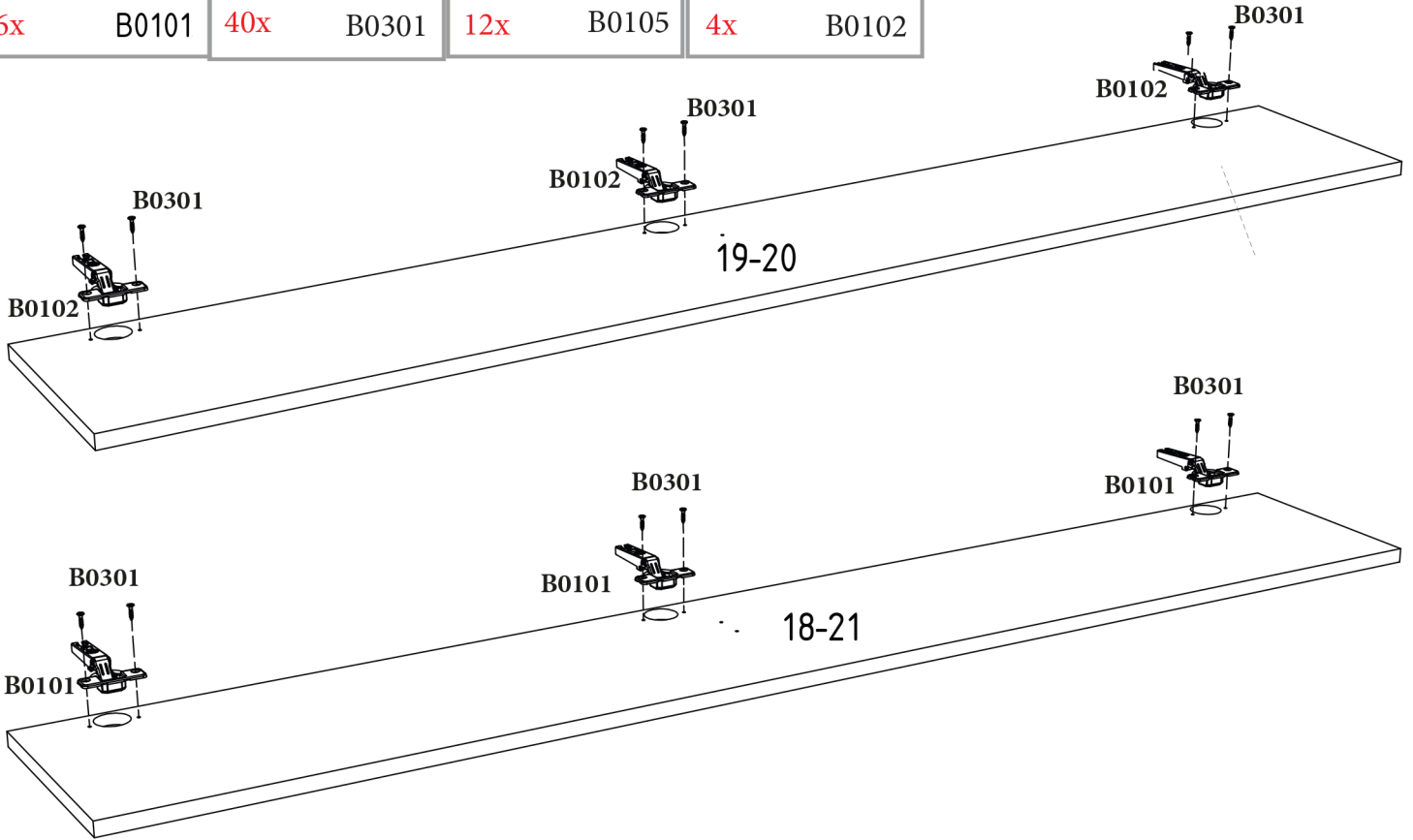
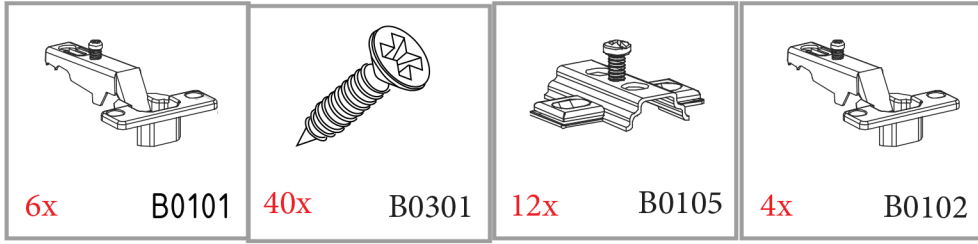
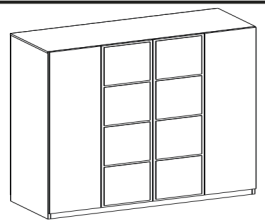
B0503

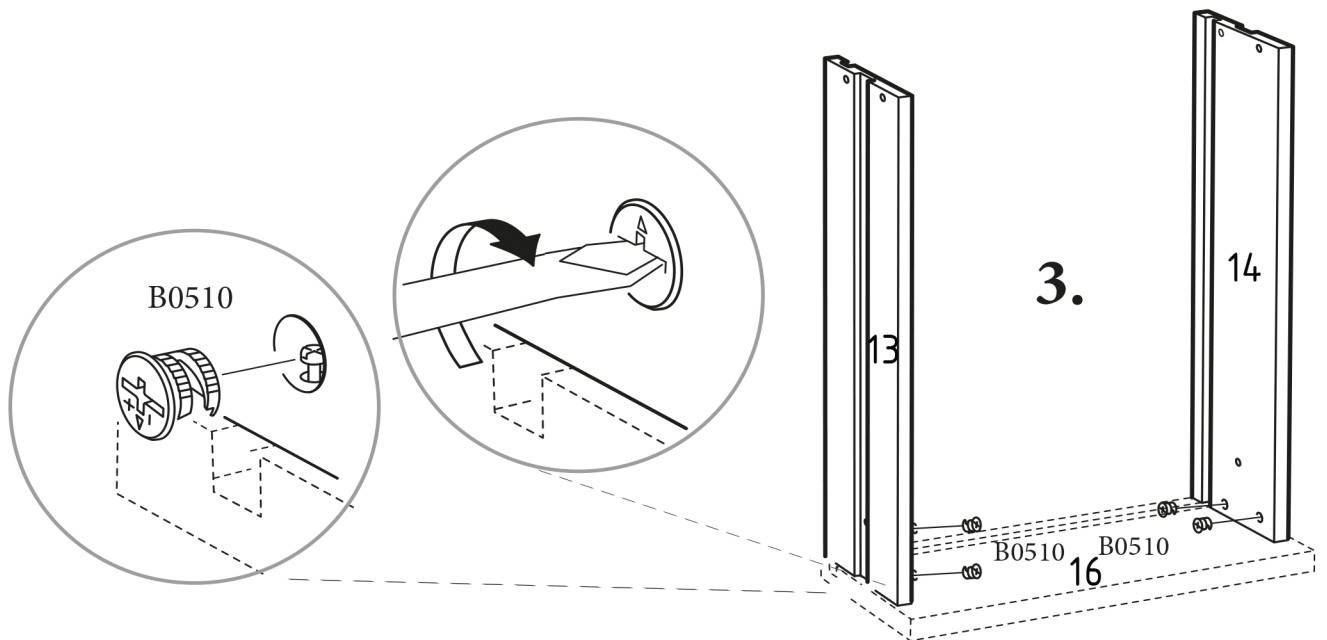
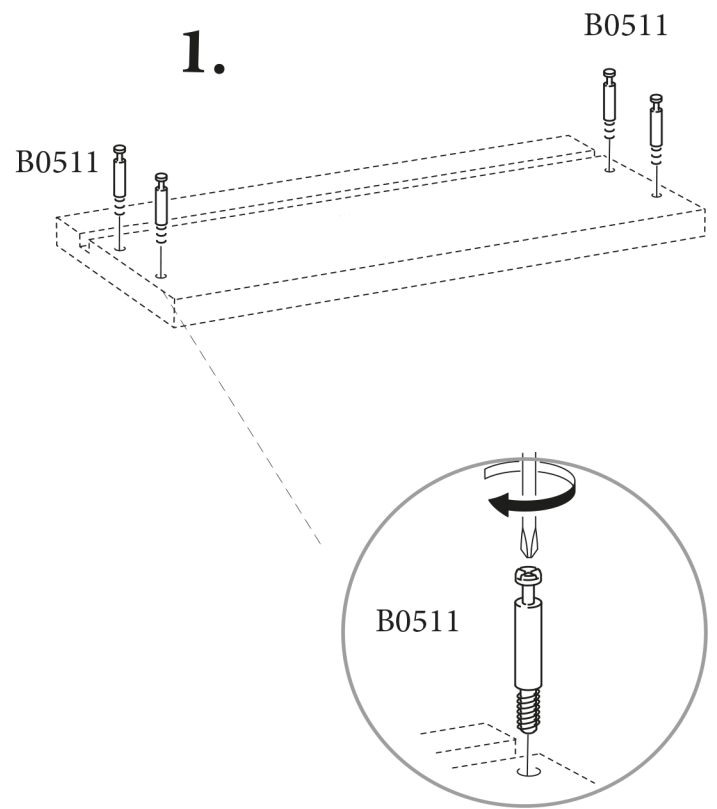
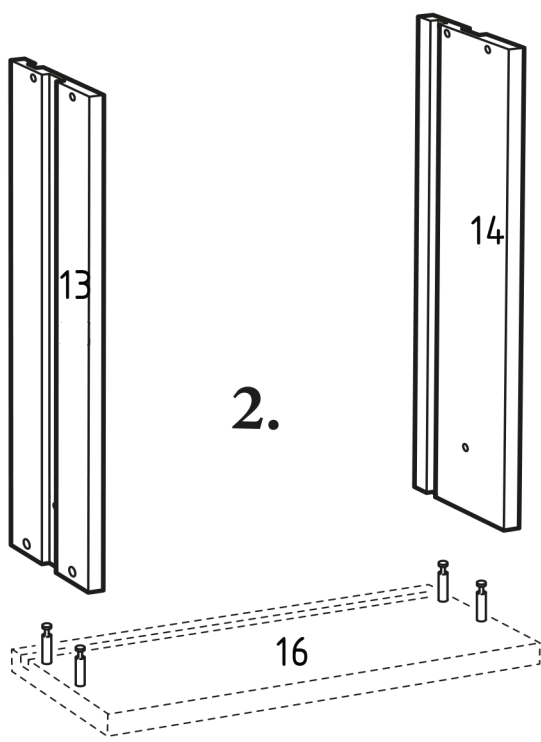
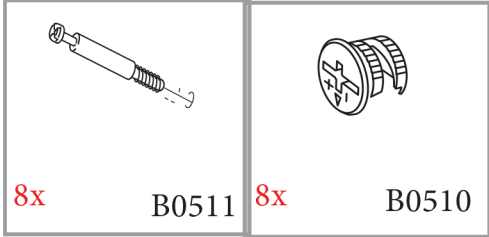
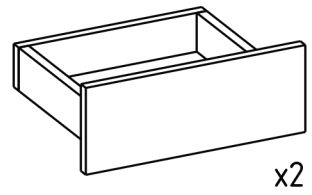


8x

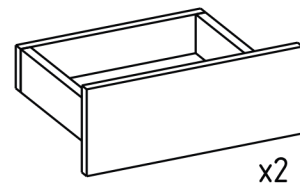
B0501



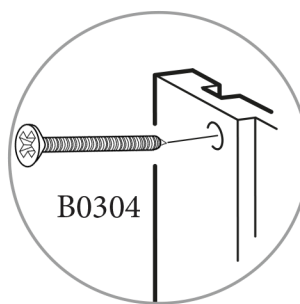
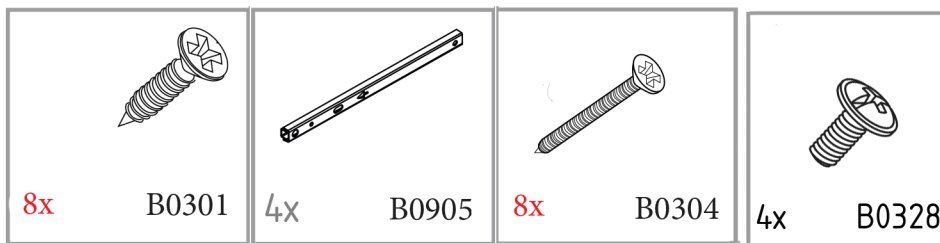
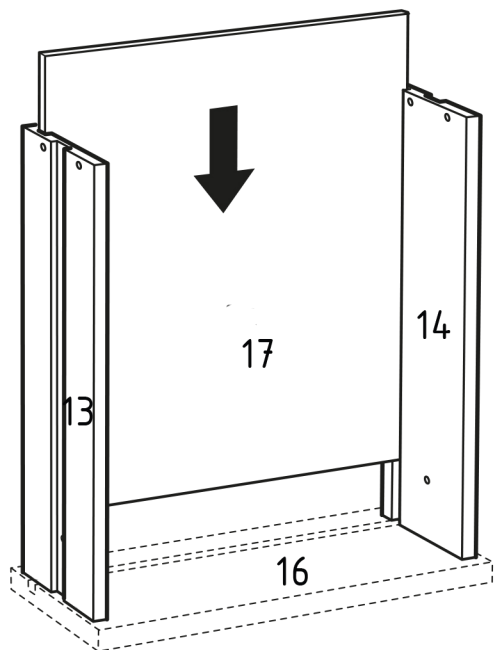




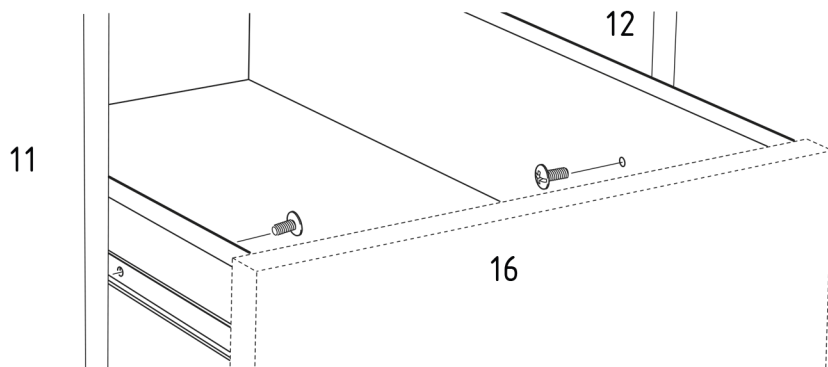
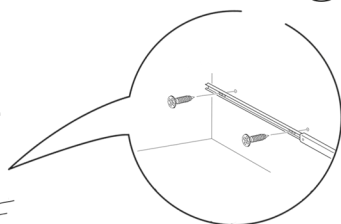
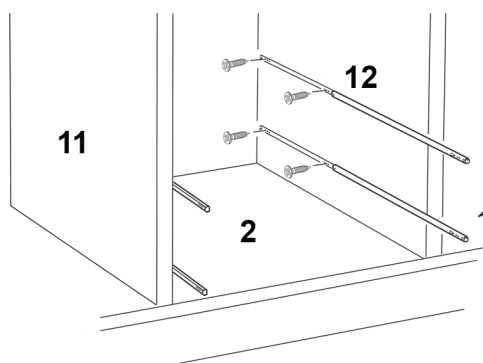
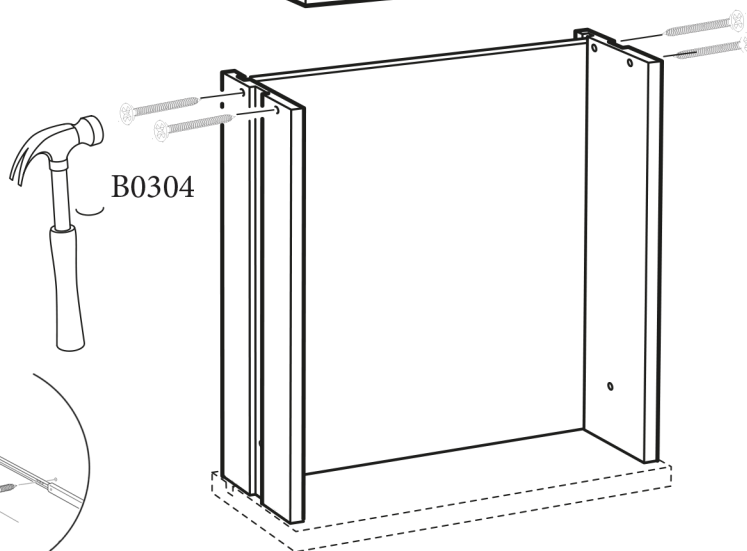


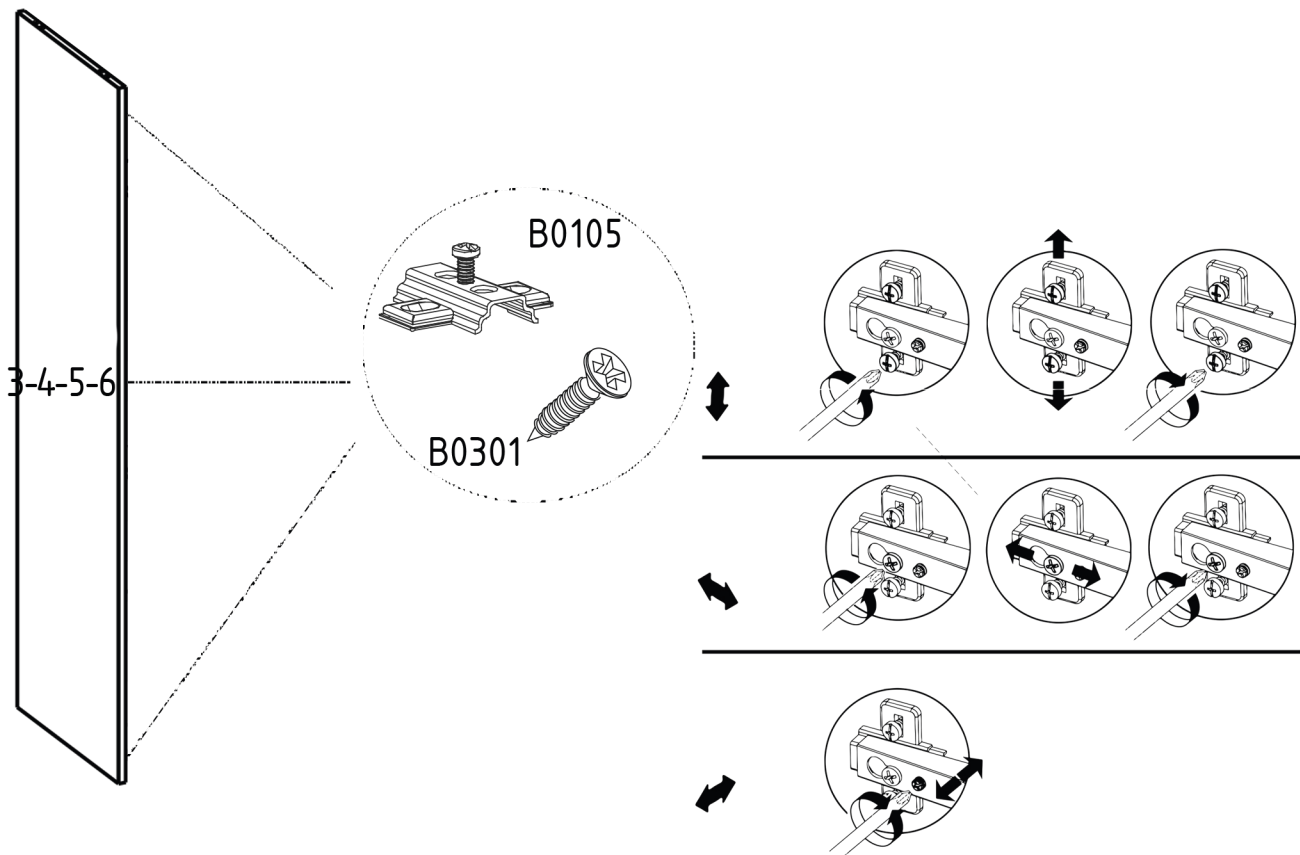
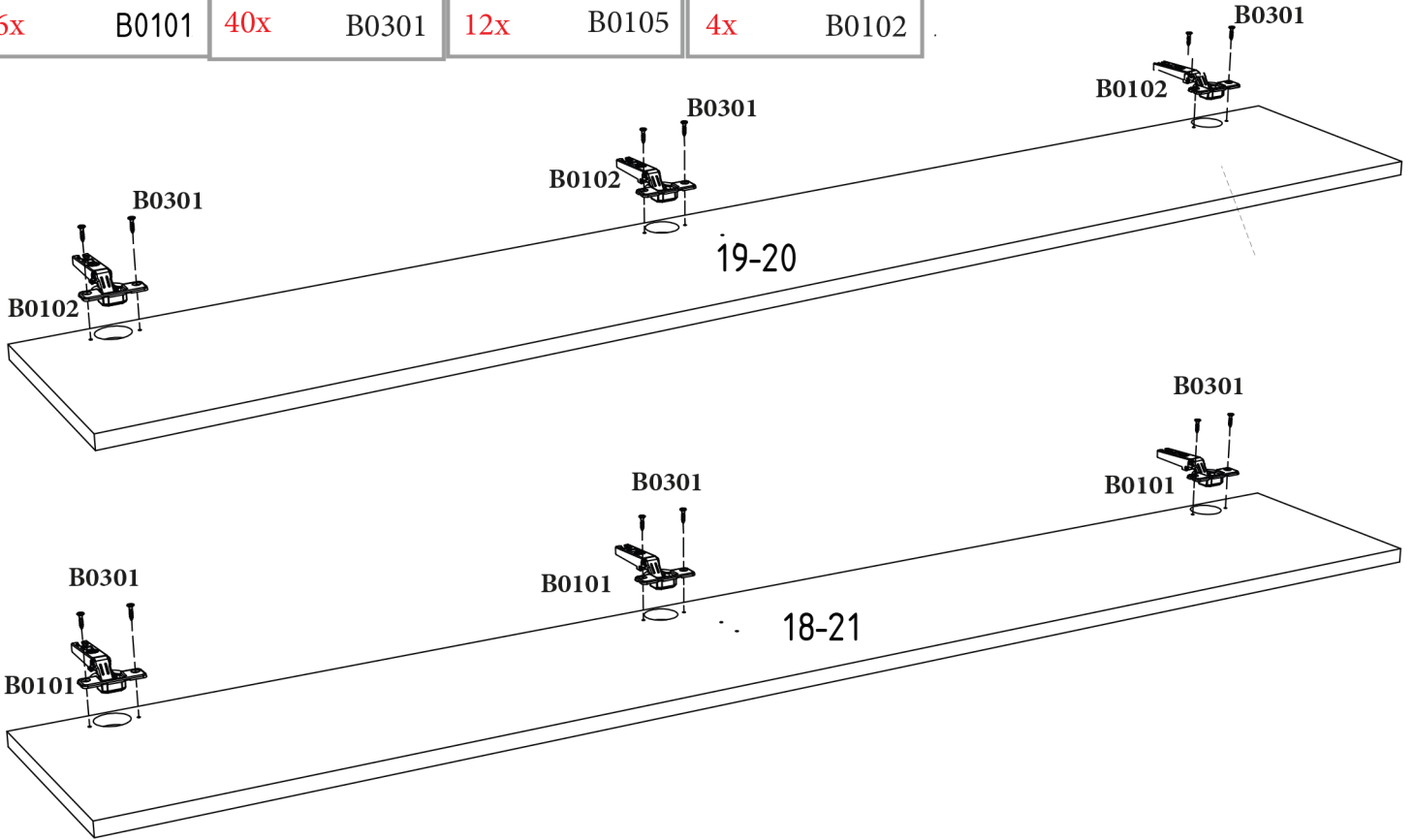
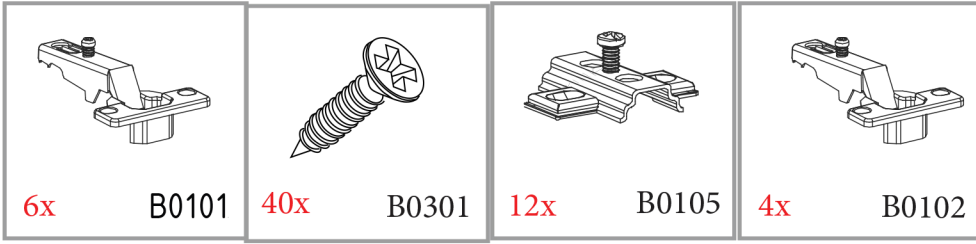
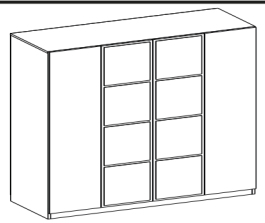


4.

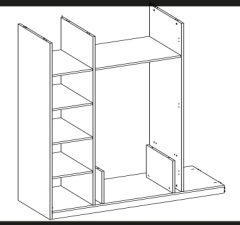



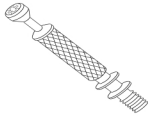
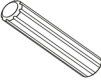

5.

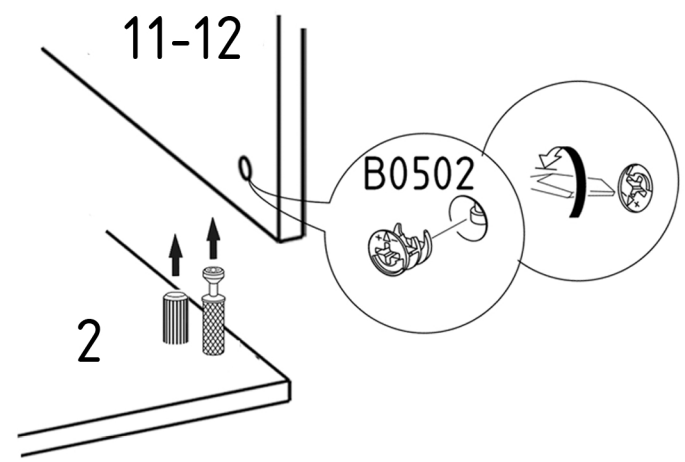
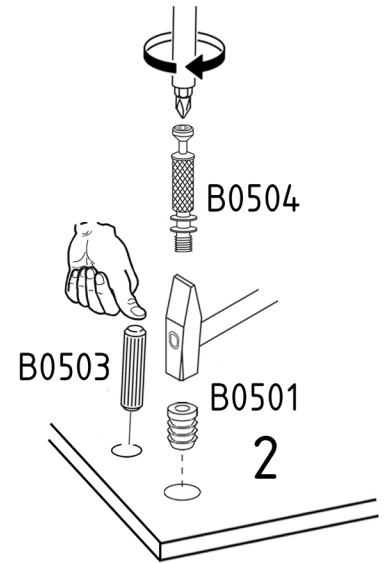
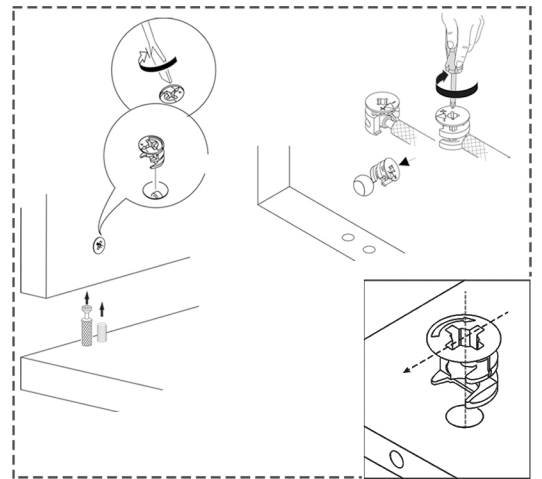
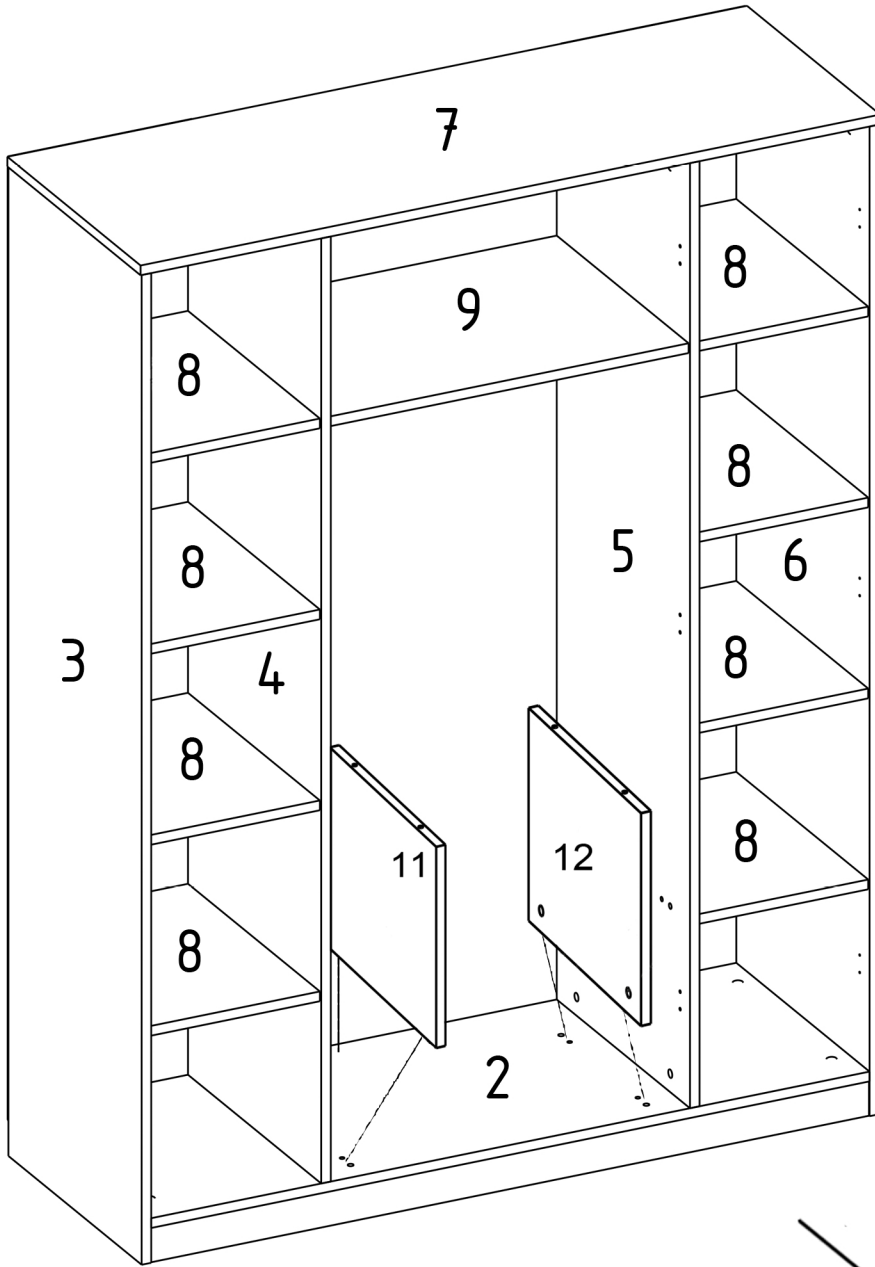


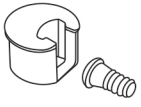
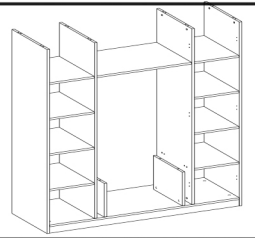


# HM2



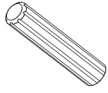
			
4x B0502	4x B0504	4x B0503	4x B0501





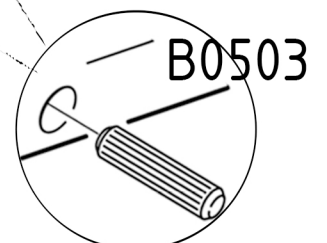
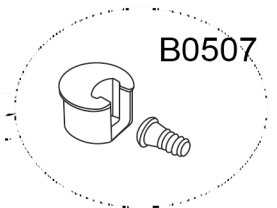
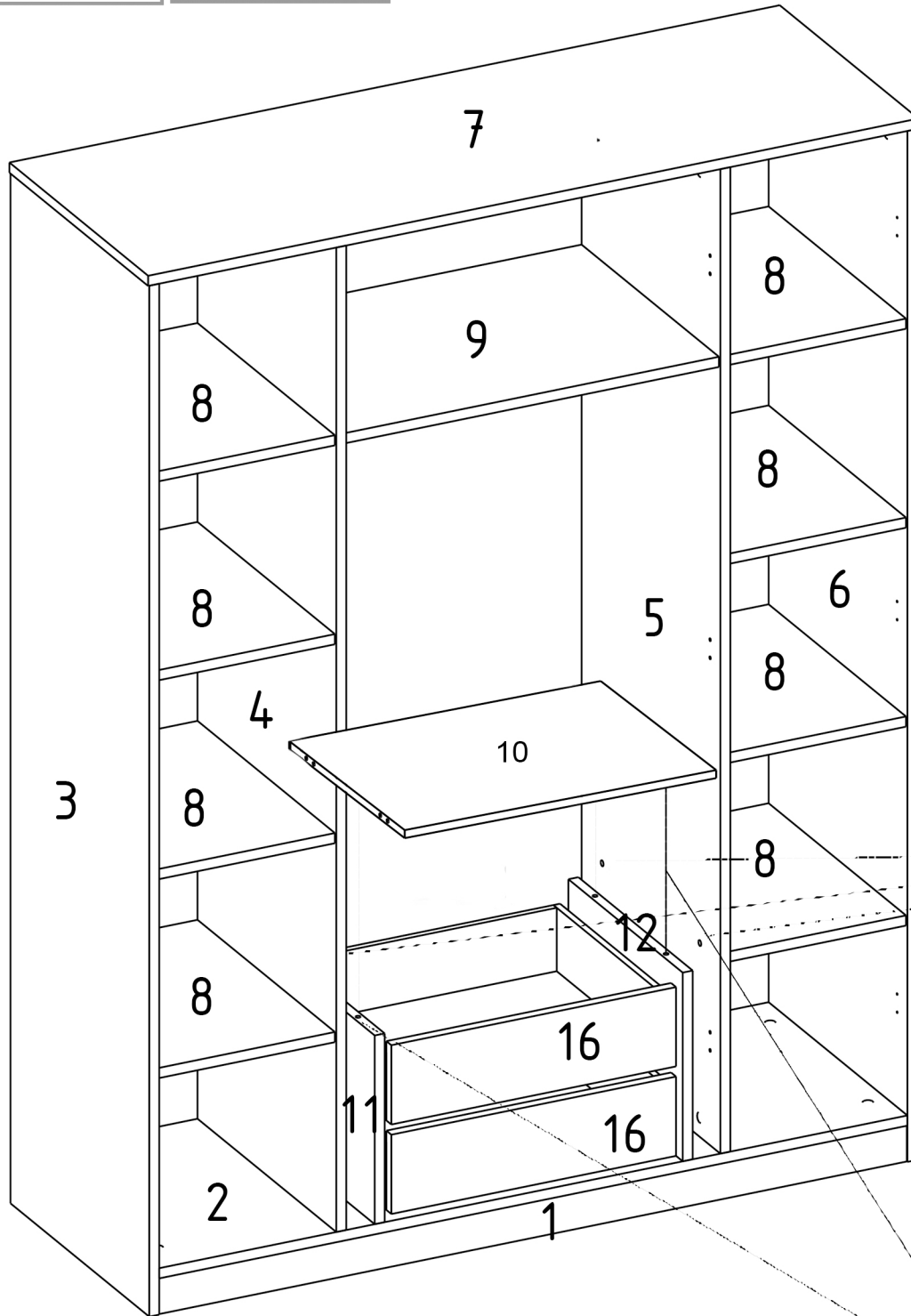
4x

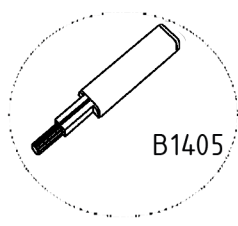
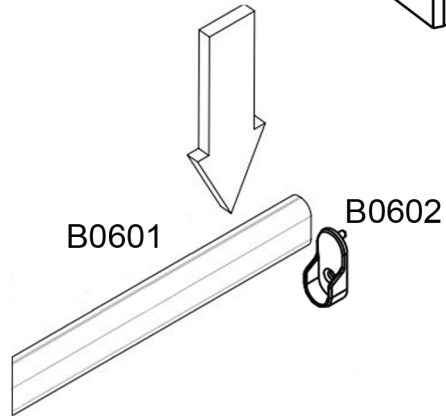
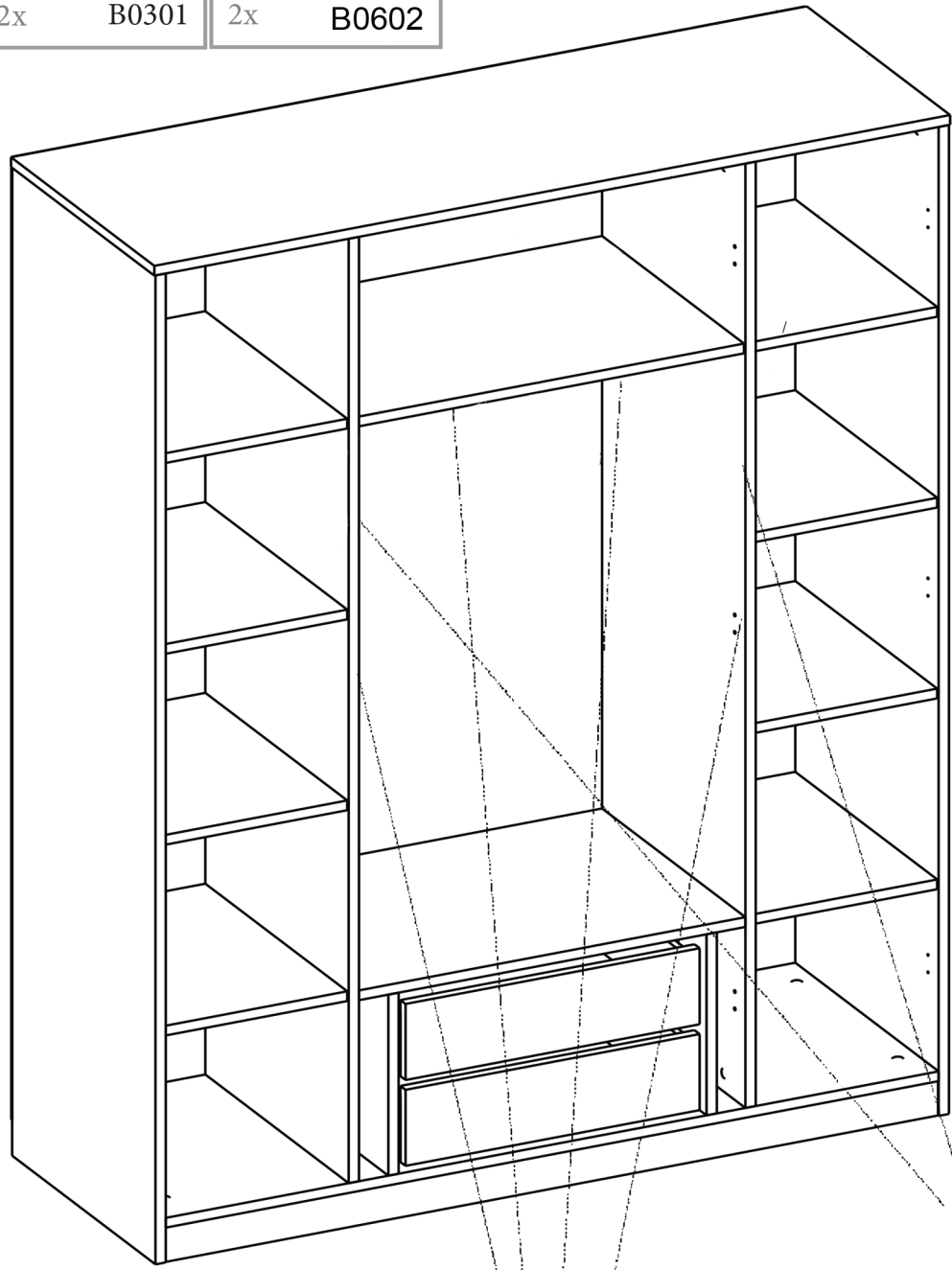
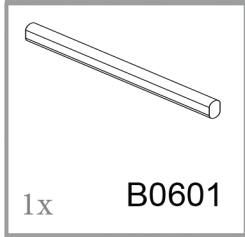
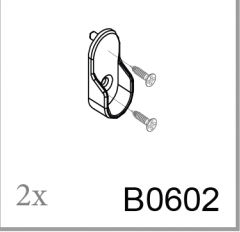
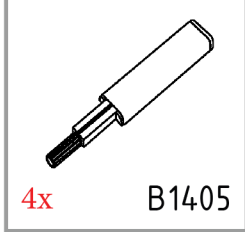
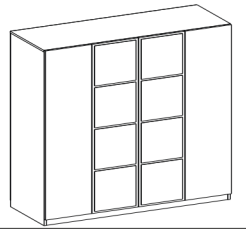
B0507

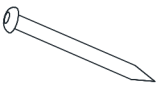
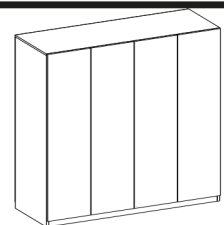


4x


B0503



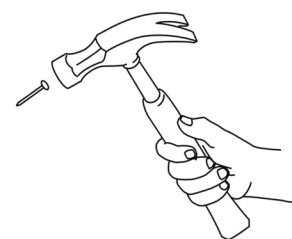
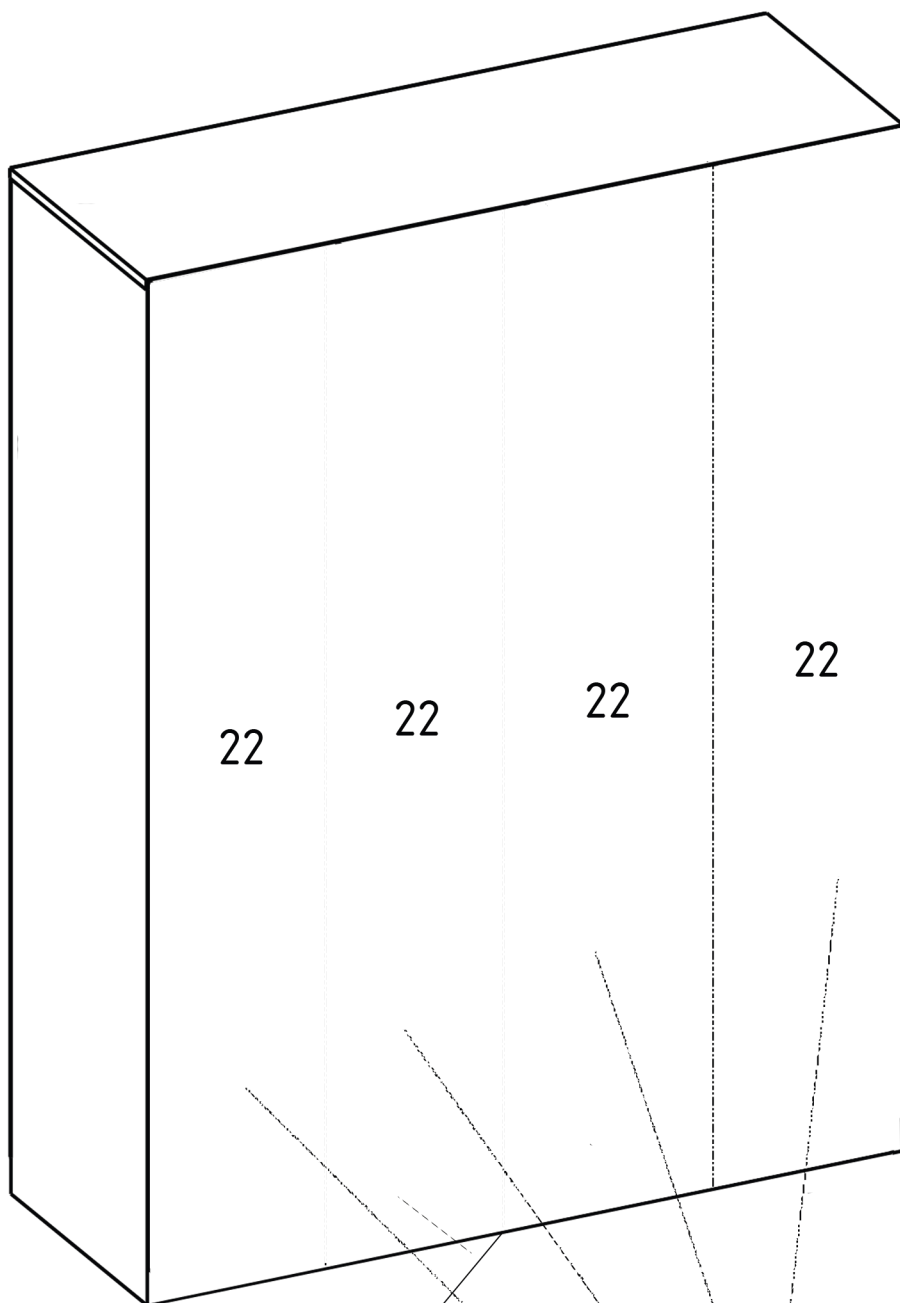




108x B0318



1x (1,77 m)  
G0604



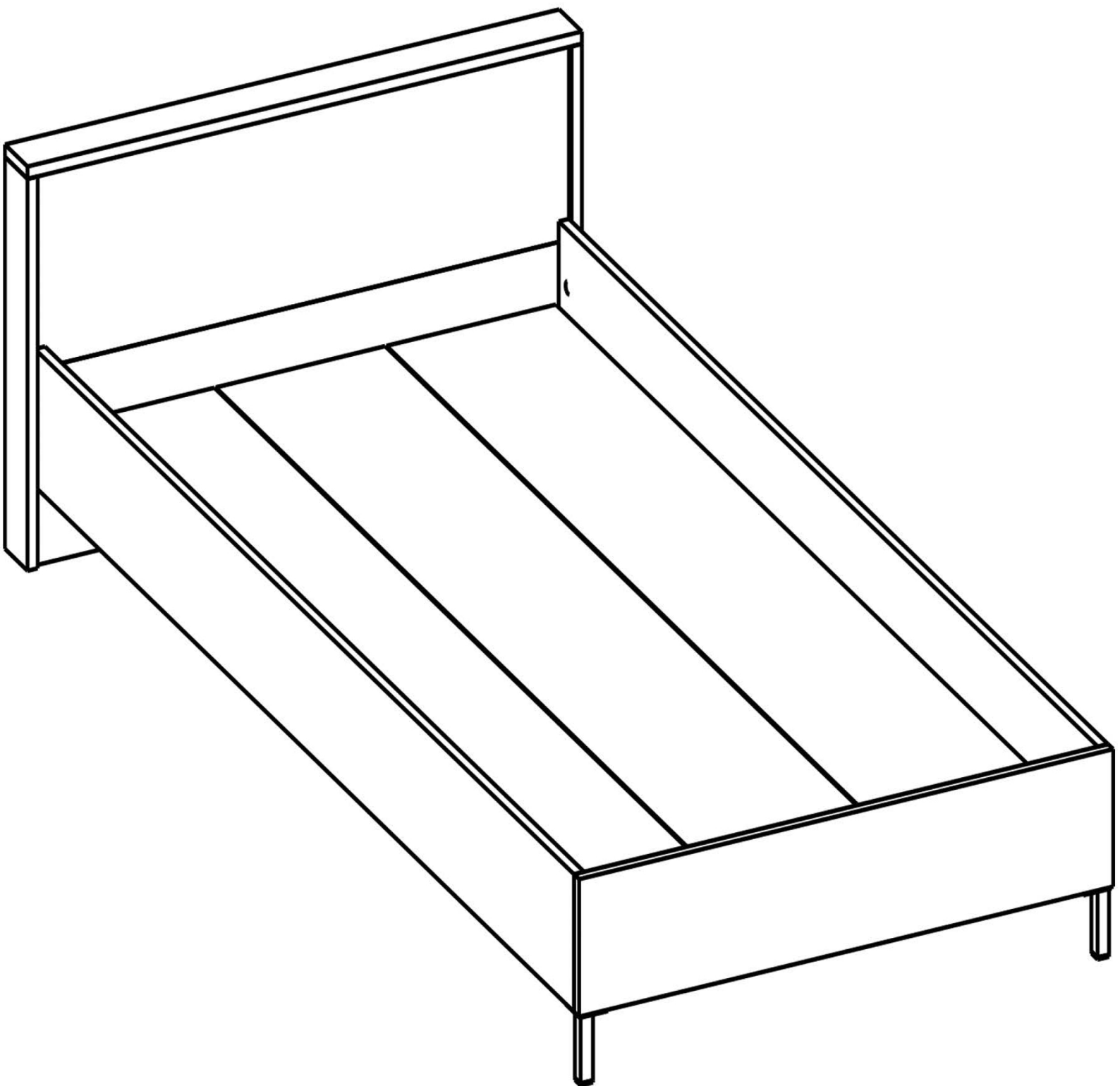
G0604

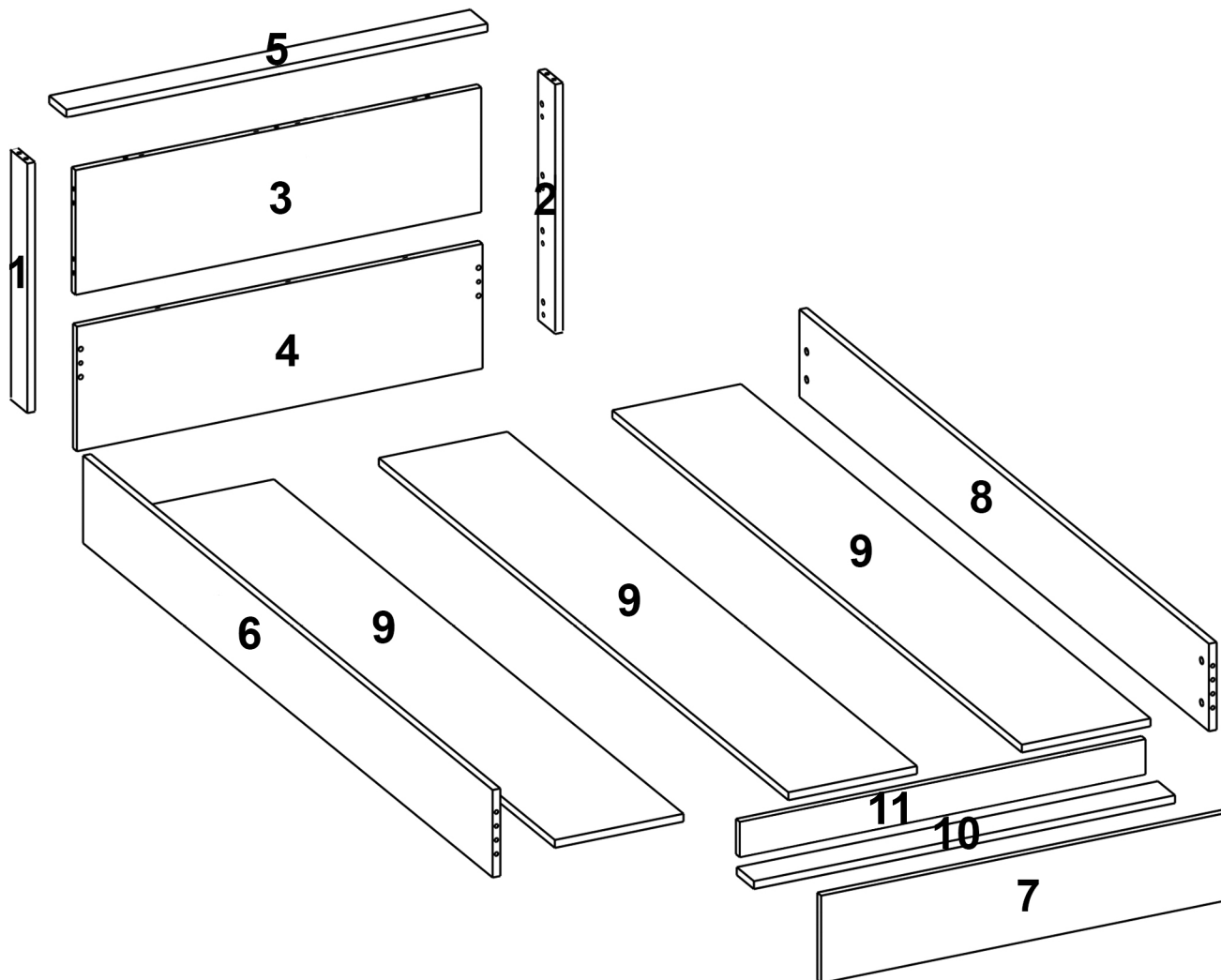



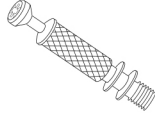
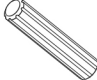





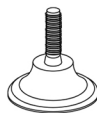



B0318



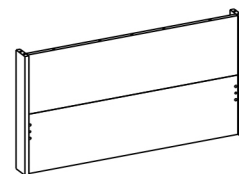
# HM4

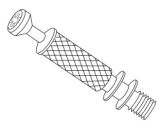
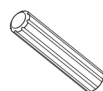





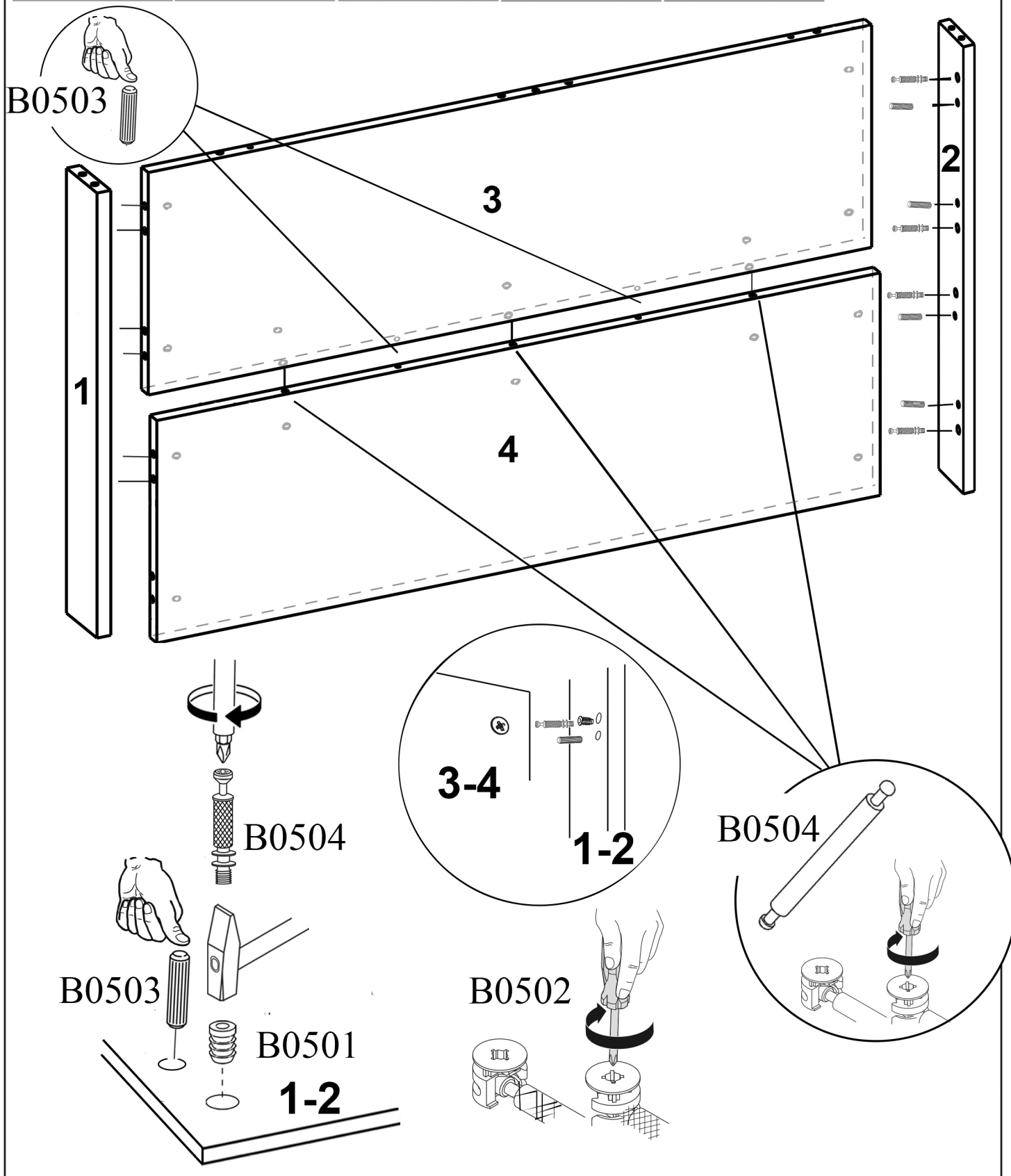


 28x B0502	 23x B0504	 26x B0503	 2x D0154	 12x B0309	 3x D0501
 6x B0301	 35x B0501	 2x B1702	 3x B0505	 4x B0303	 3x B0304



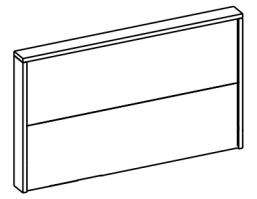


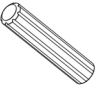
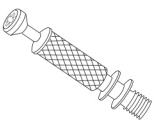


 8x B0504	 10x B0503	 8x B0501	 14x B0502	 3x B0505
---	--	---	--	---

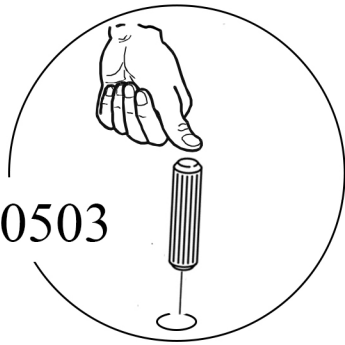
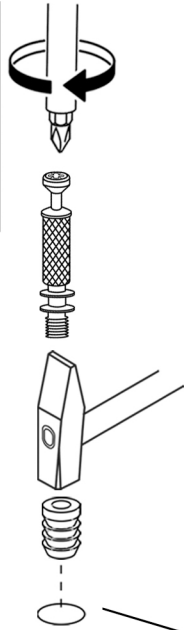


3/8

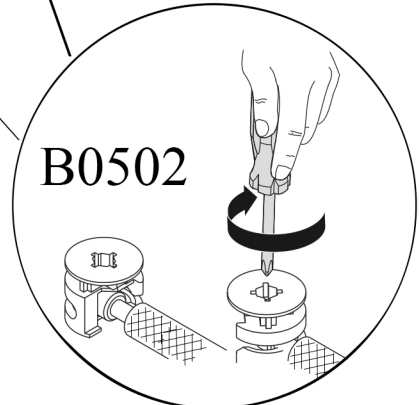
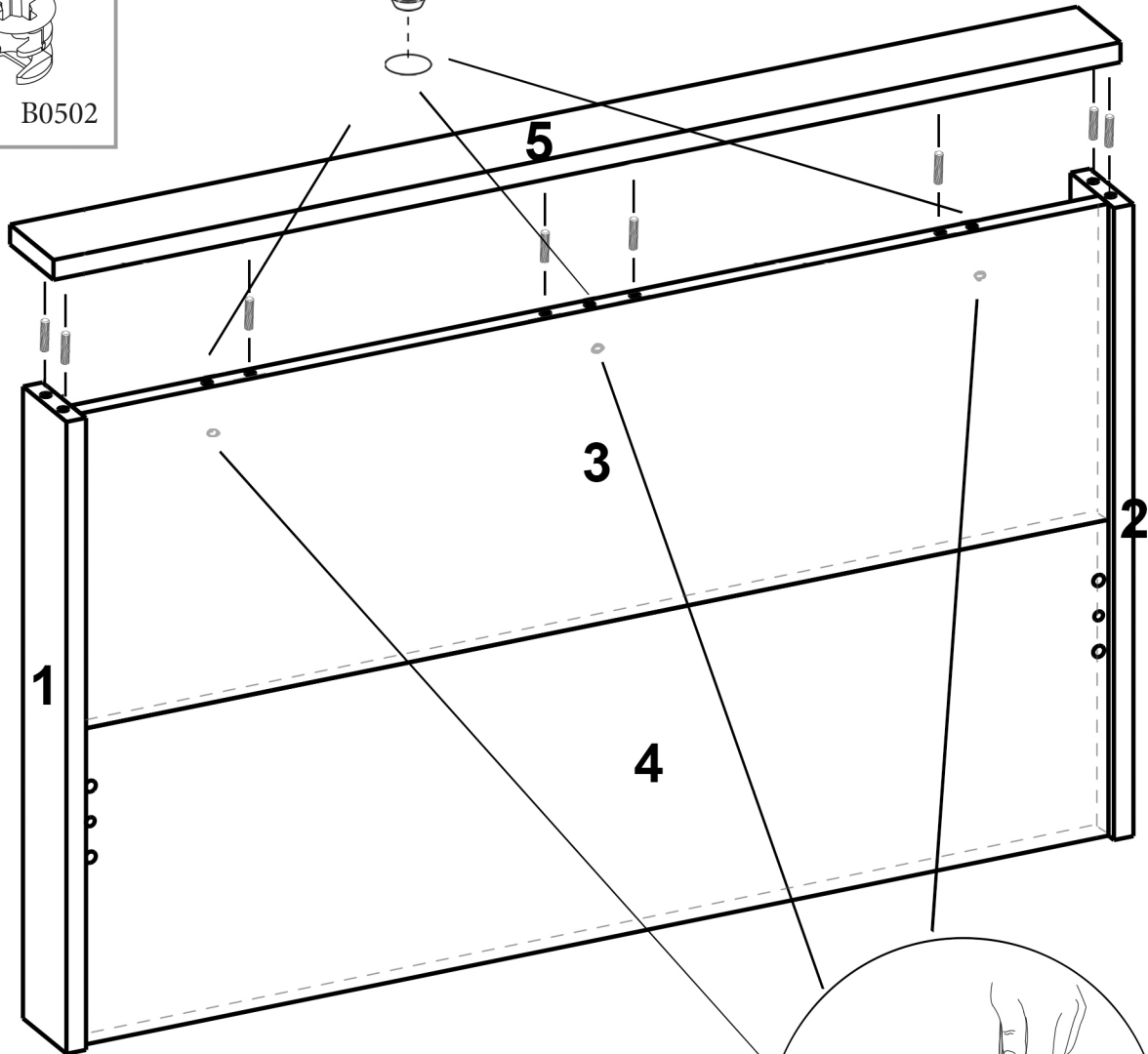
# HM4



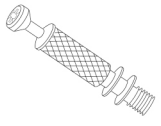
 8x B0503	 3x B0504
 3x B0501	
 3x B0502	



B0503



B0502



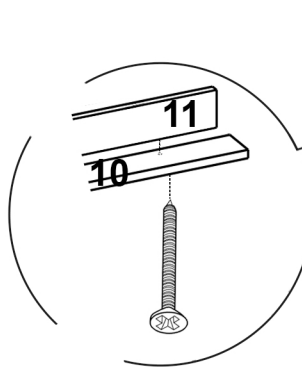
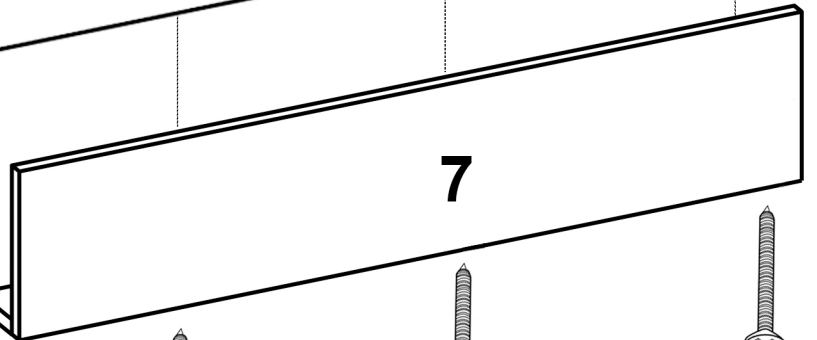
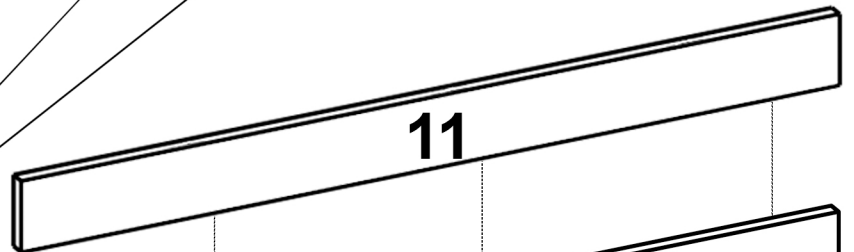
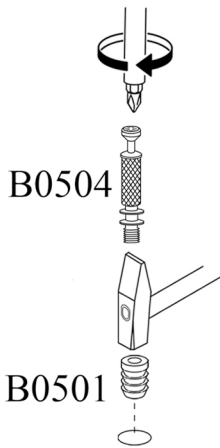
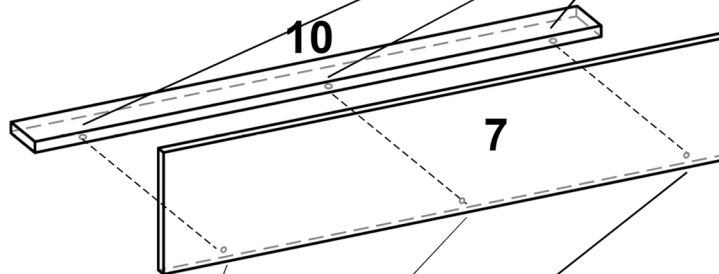
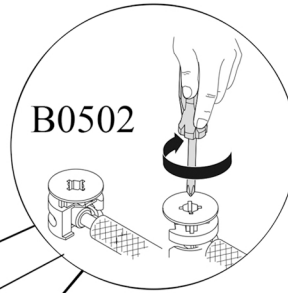
3x B0504



3x B0502

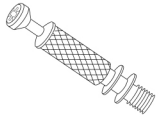
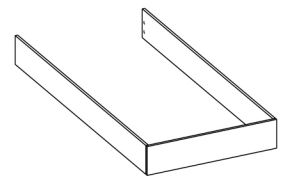


3x B0501



5/8

# HM4



4x B0504



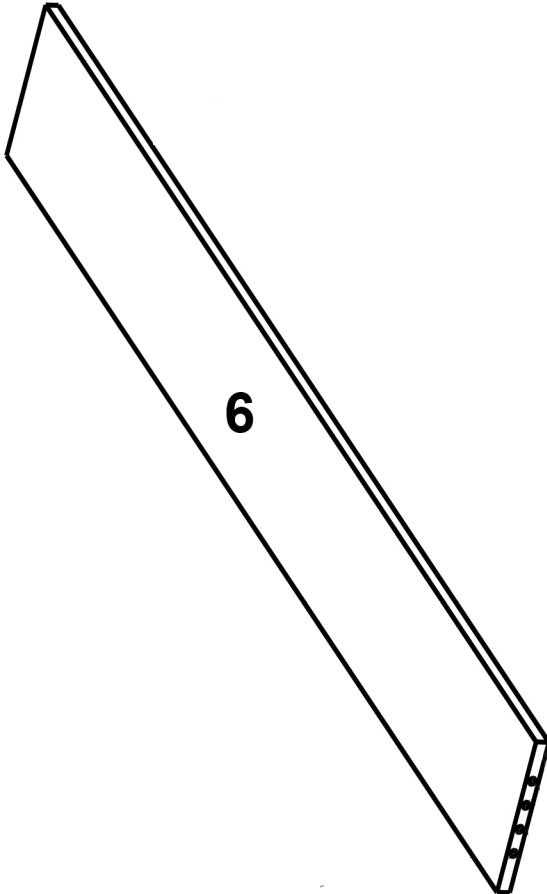
4x B0503



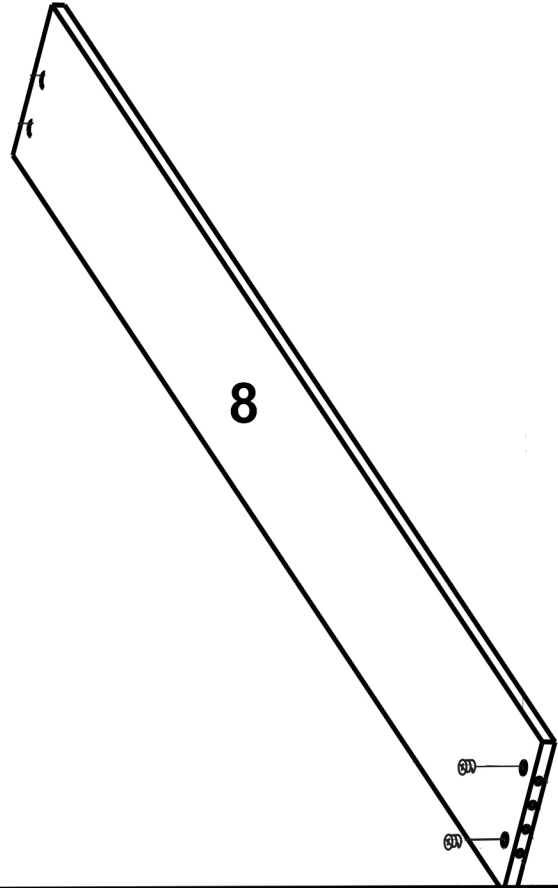
4x B0501



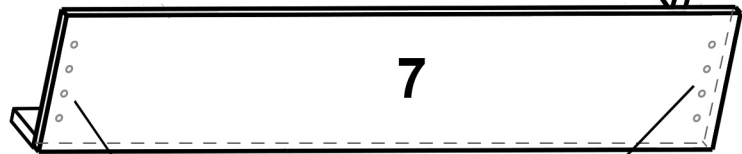
4x B0502



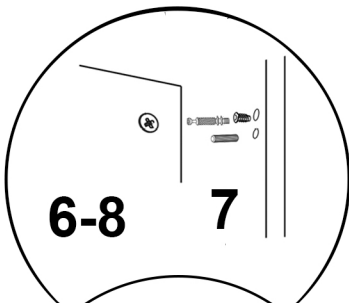
6



8

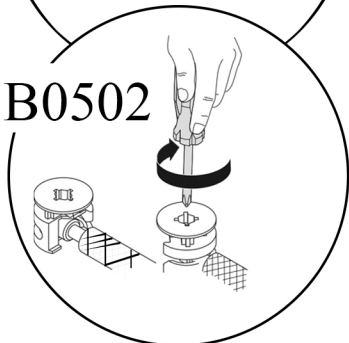


7

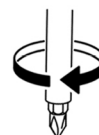


6-8

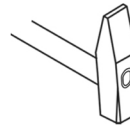
7



B0502



B0504



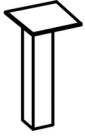
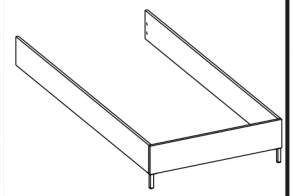
B0501

B0503

7

6/8

# HM4



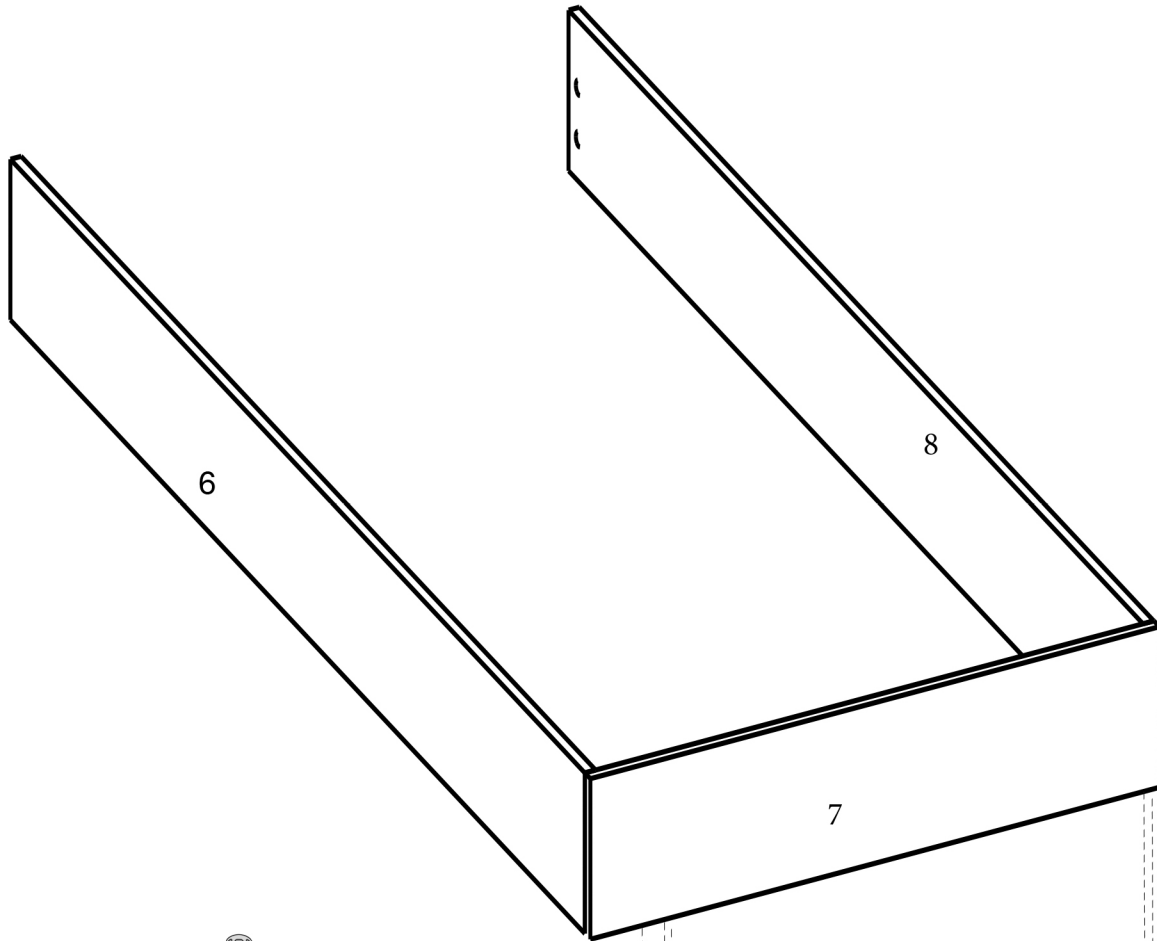
2x

D0154

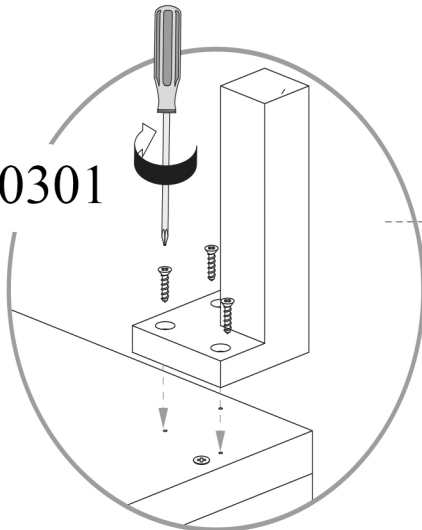


6x

B0301

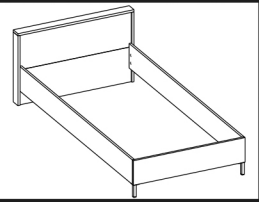


B0301

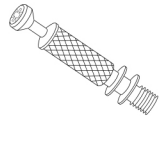


D0154

D0154



4x B0502



4x B0504



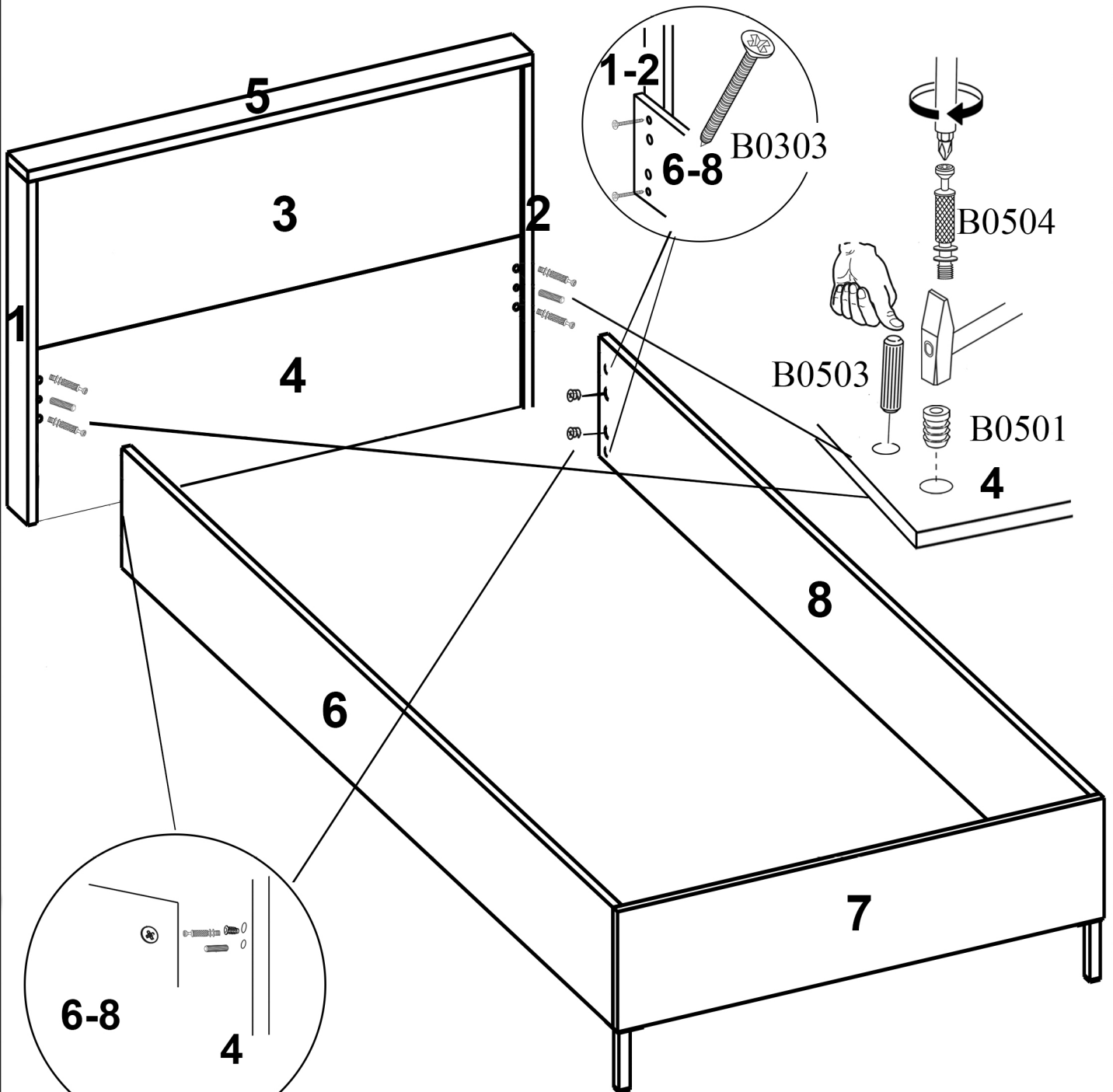
2x B0503



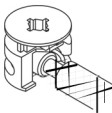
4x B0501



4x B0303

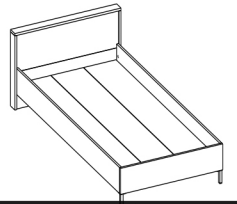


B0502



8/8

# HM4



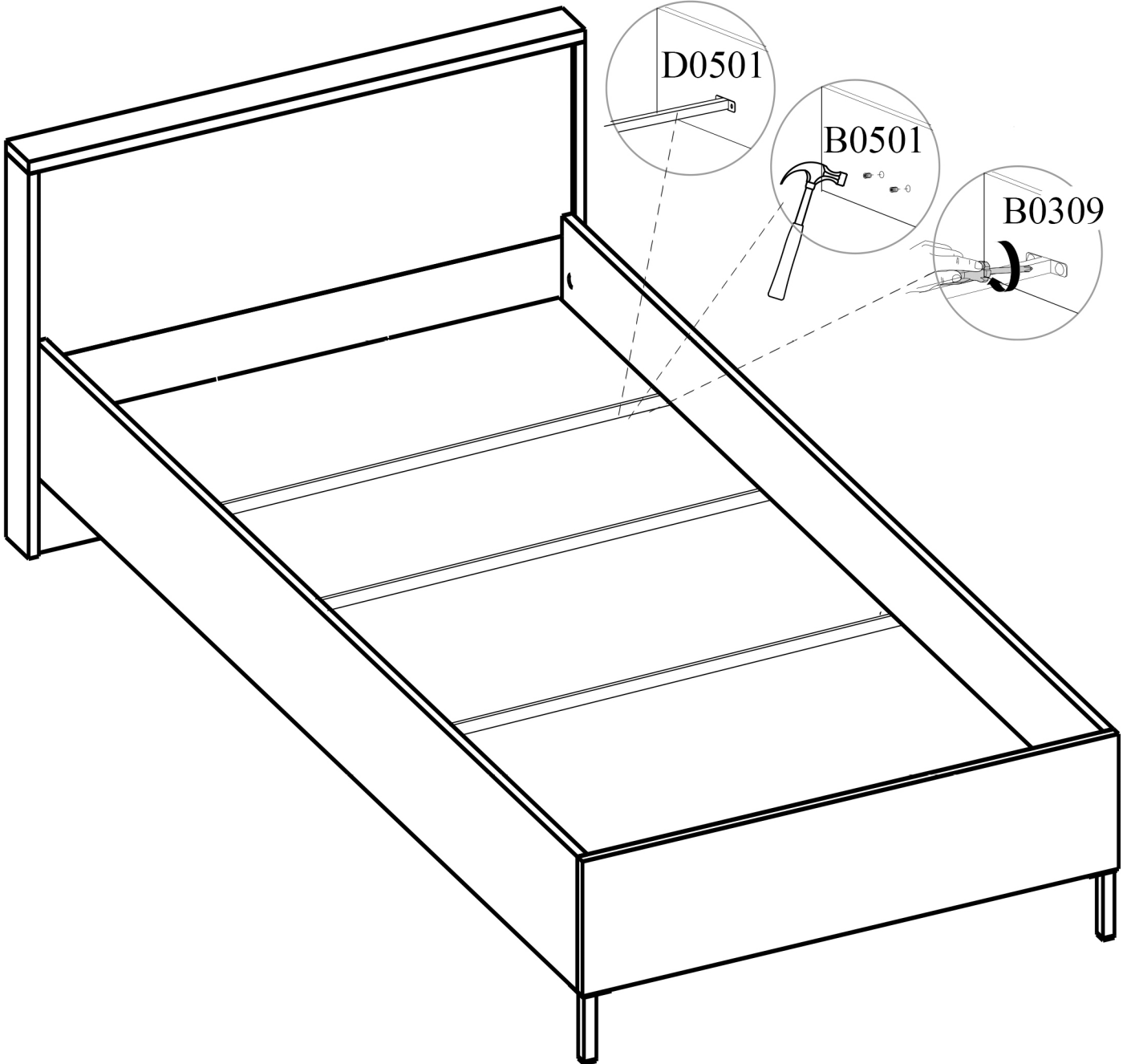
12x B0501



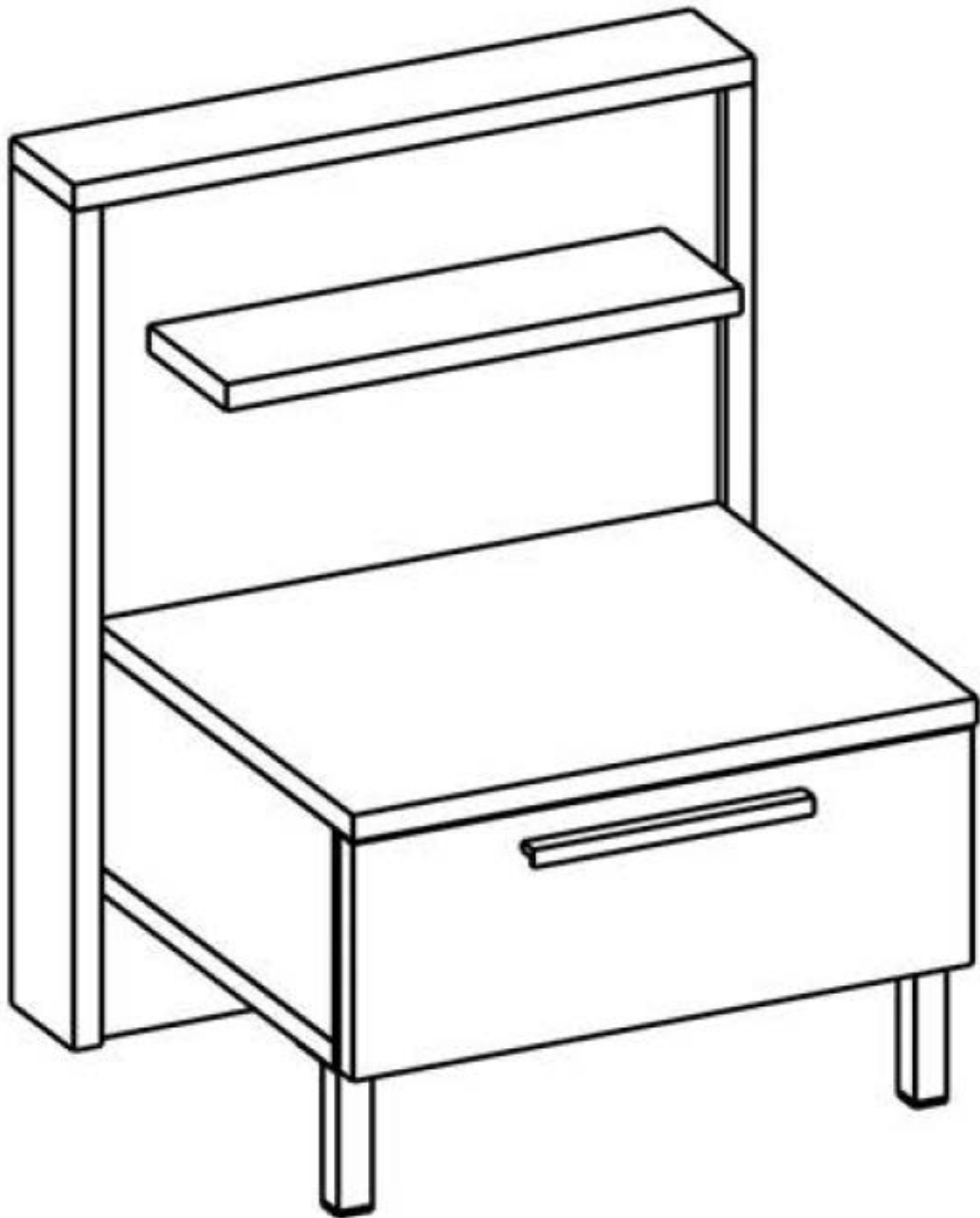
12x B0309



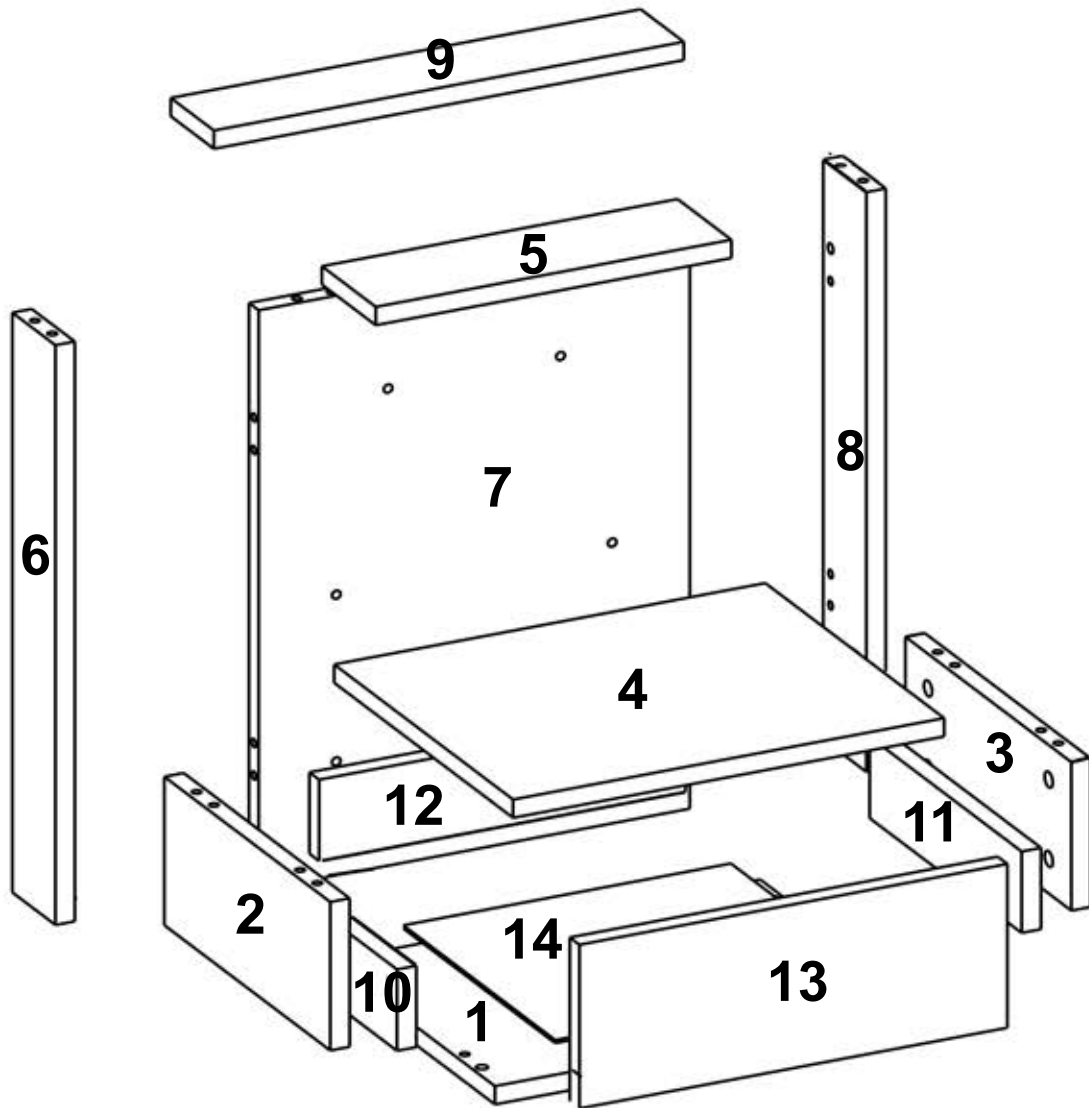
3x D0501











# HM5









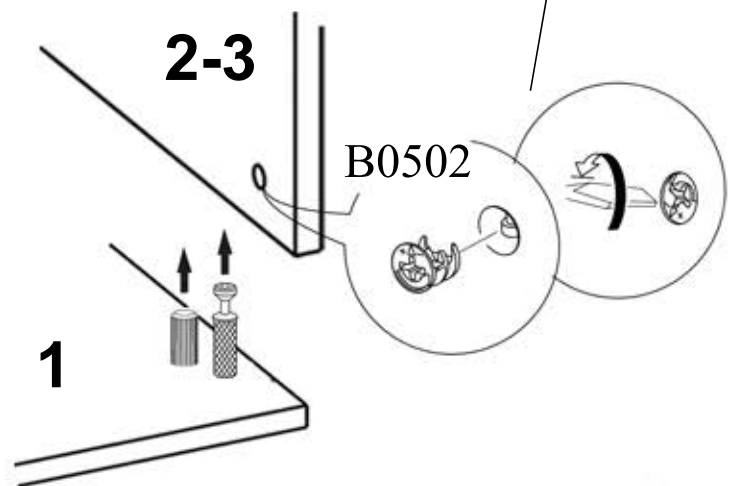
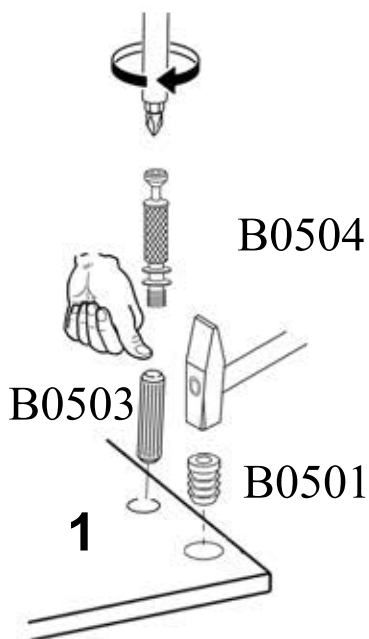
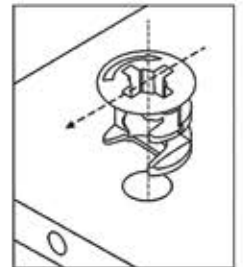
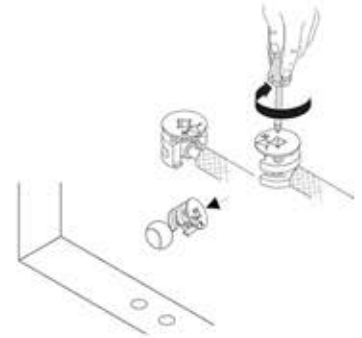
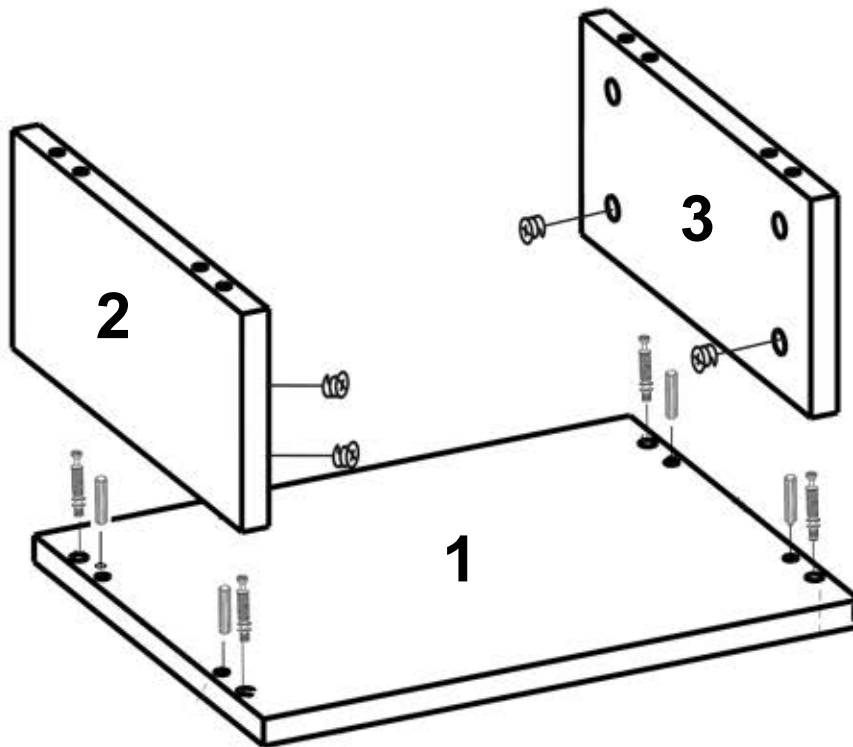
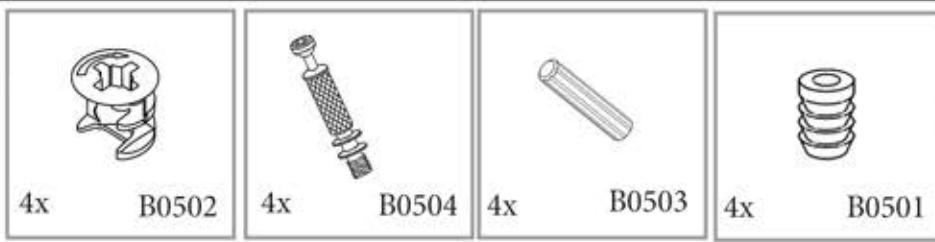
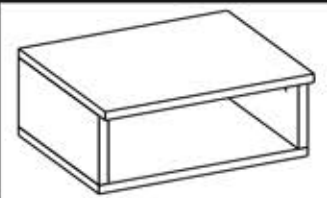


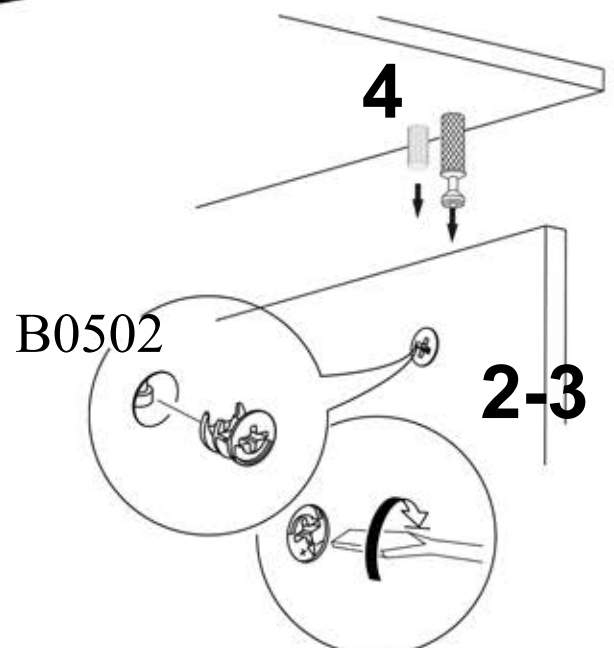
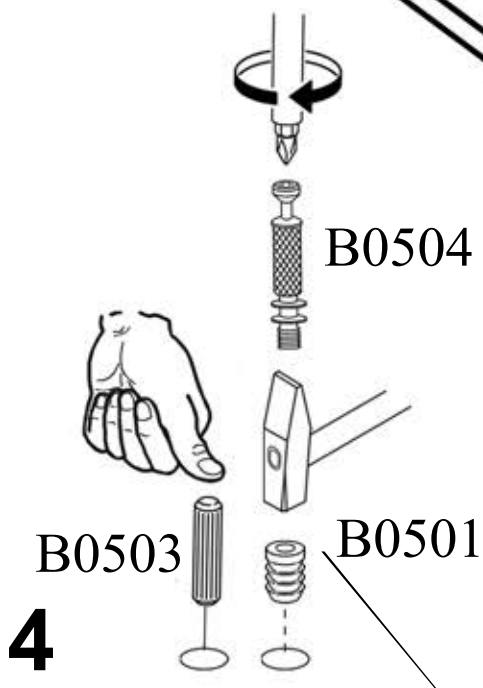
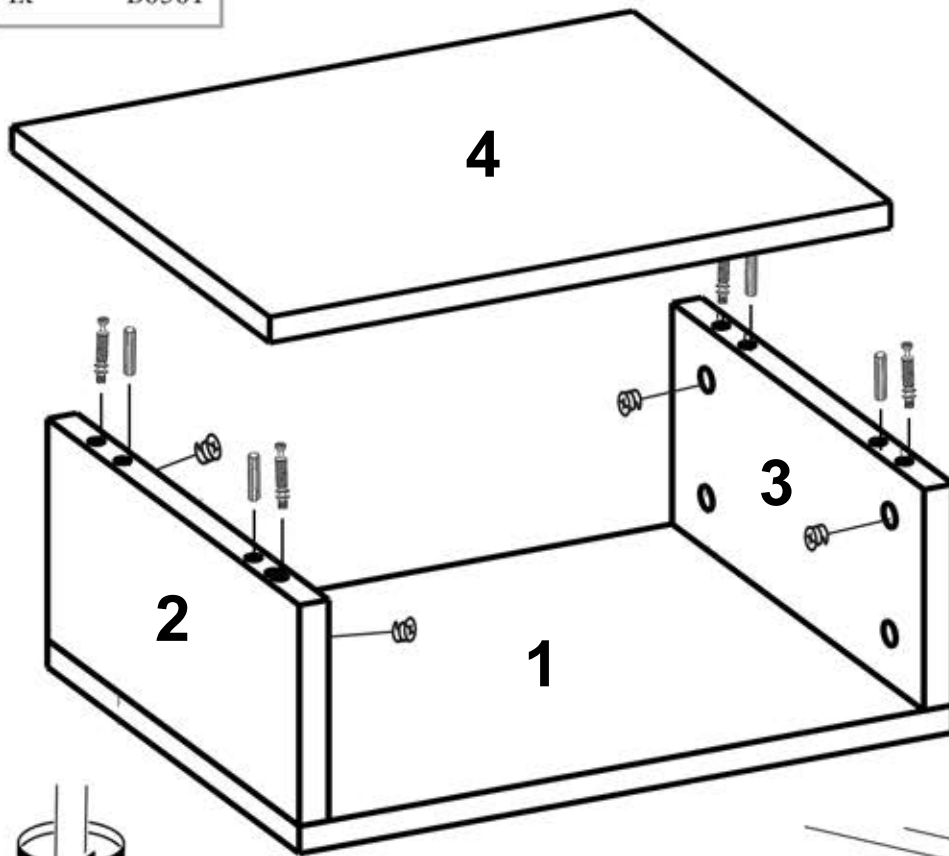
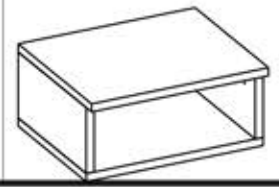


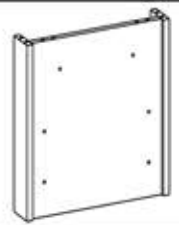
	
2x B1702	14x B0502



					
2x B0905	14x B0504	18x B0503	10x B0304	2x D0154	1x B0201

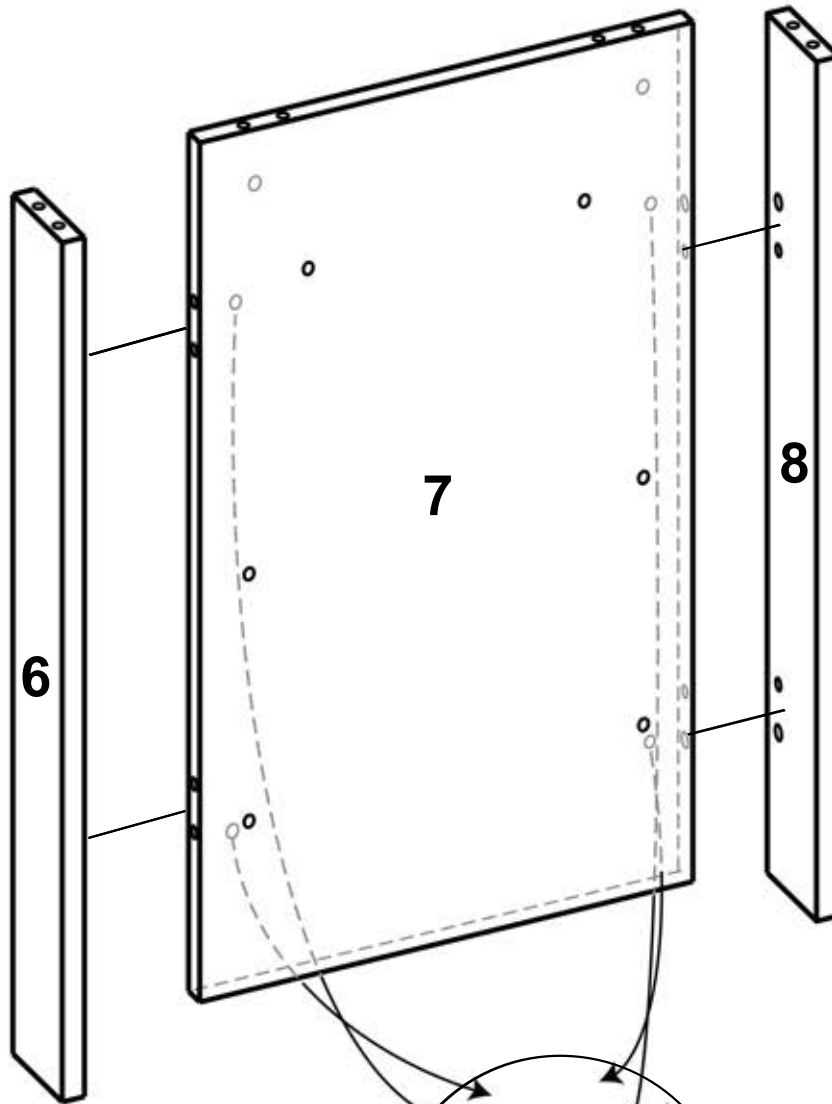
					
2x B0328	14x B0501	2x B0307	10x B0301	4x B0511	4x B0510



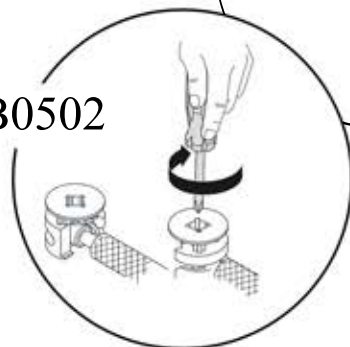




-  4x B0502
-  4x B0504
-  4x B0503
-  4x B0501

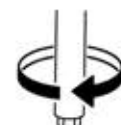


B0502

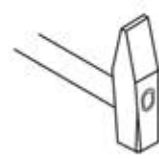


7

6-8



B0504



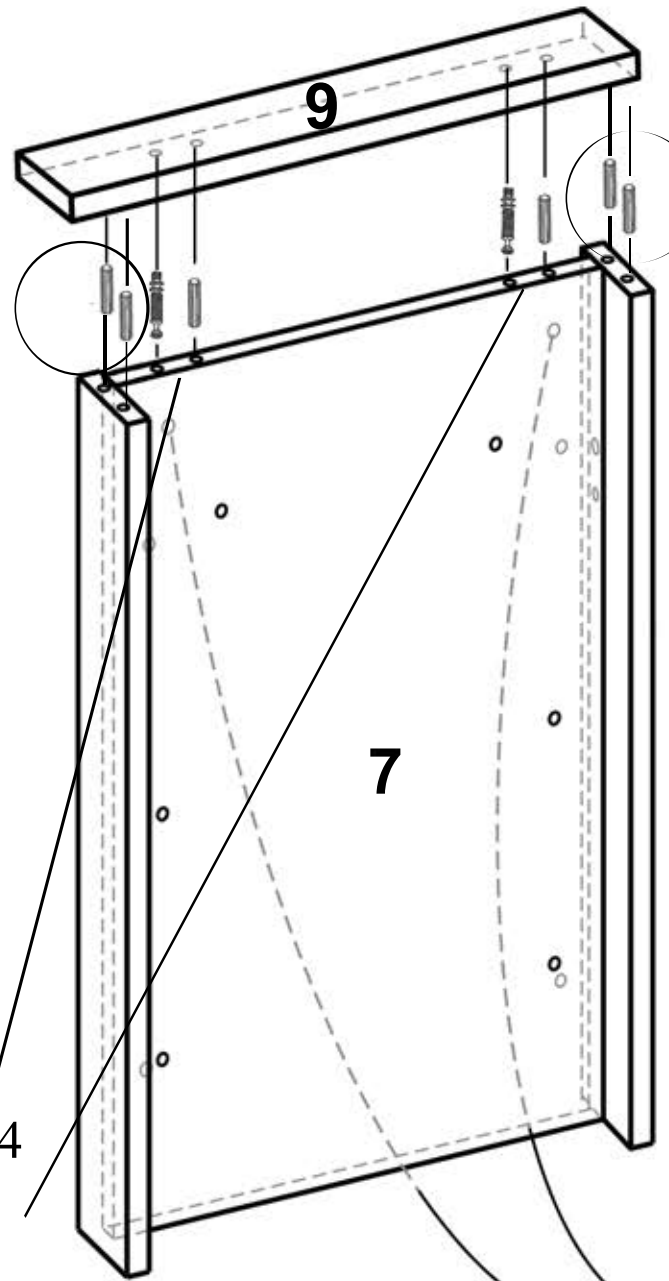
B0501



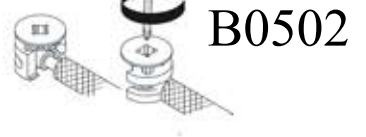
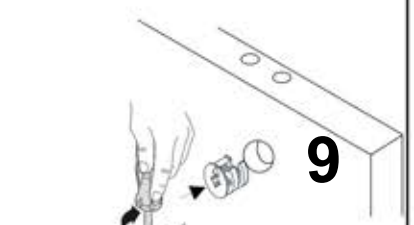
B0503



- 2x B0502
- 2x B0504
- 6x B0503
- 2x B0501



B0504



9

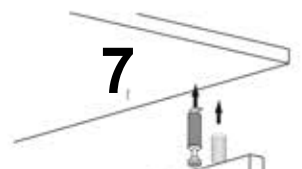
B0502



B0501

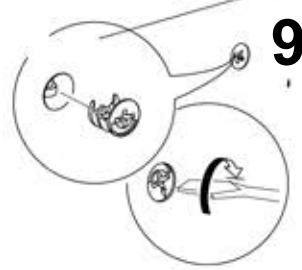


B0503



7

9

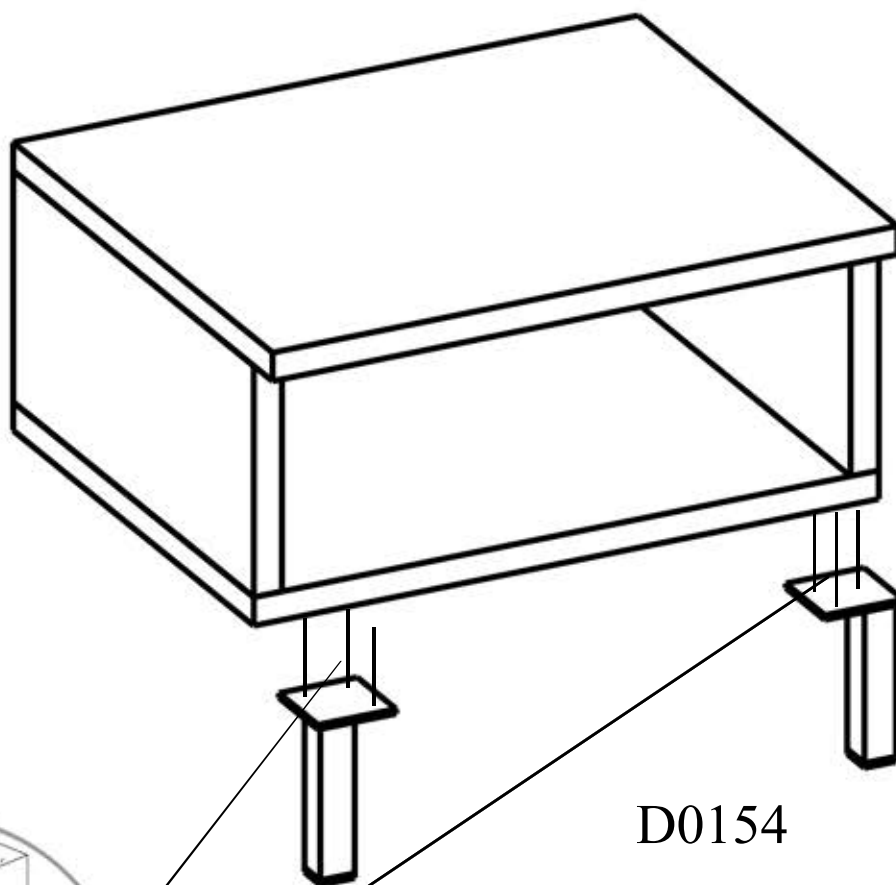




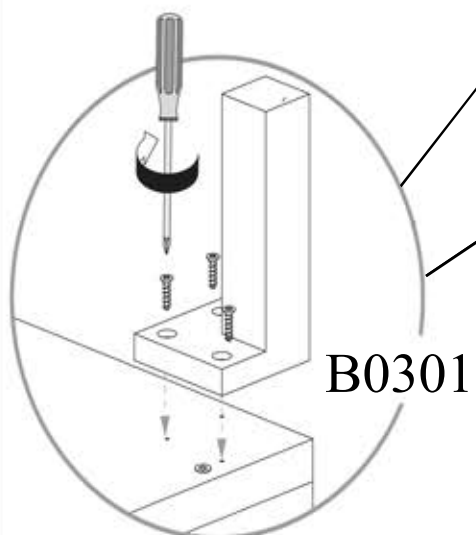
2x D0154



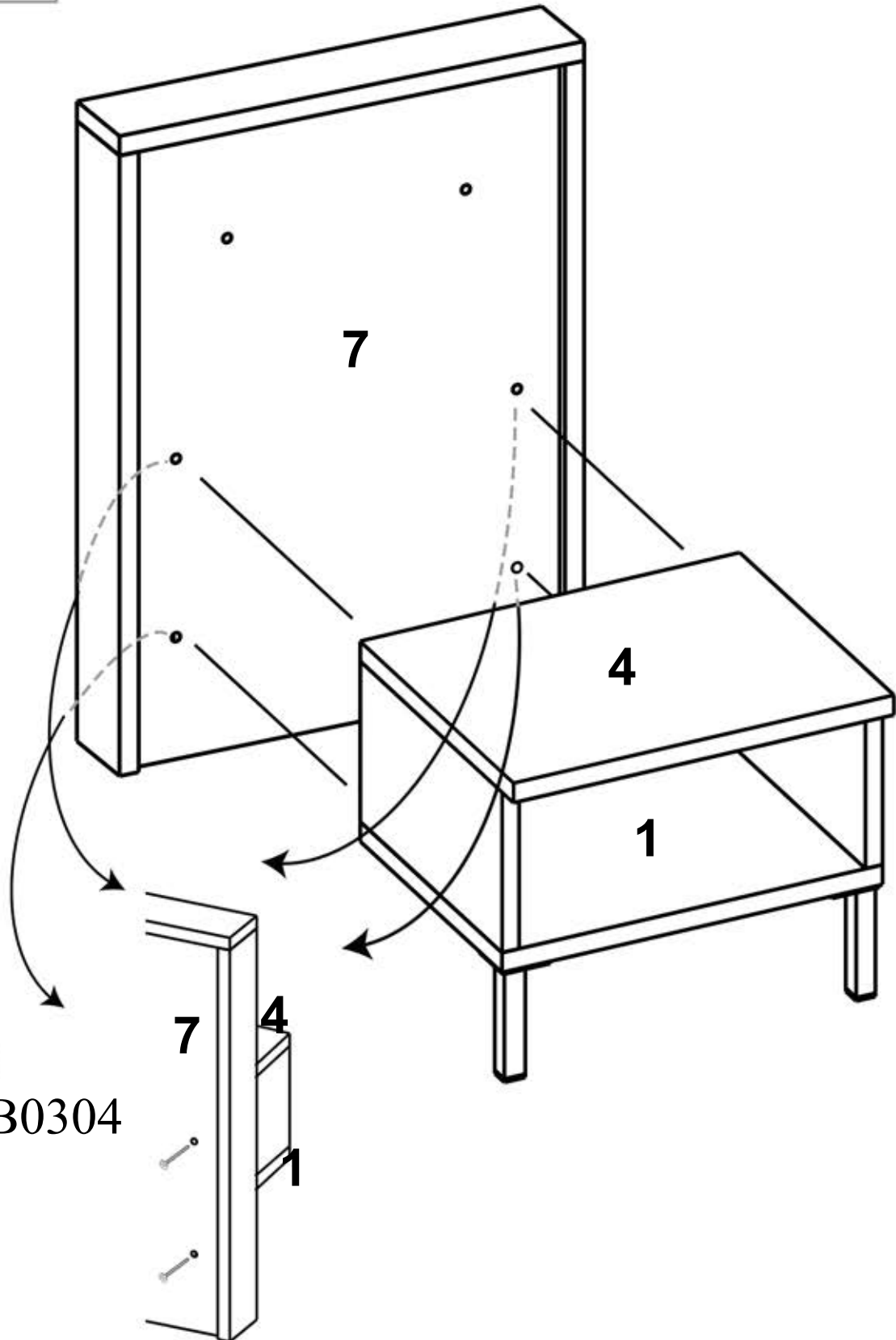
6x B0301

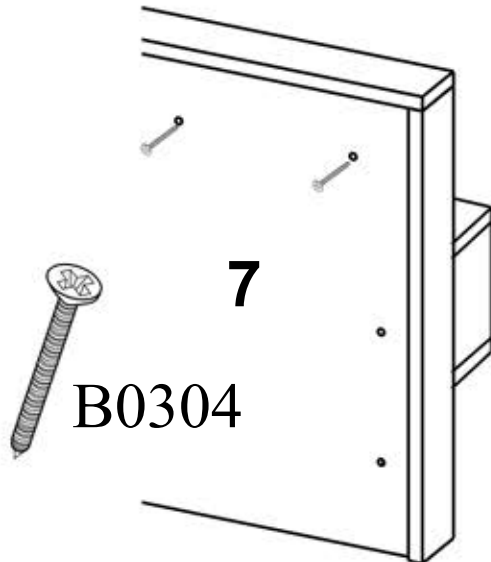
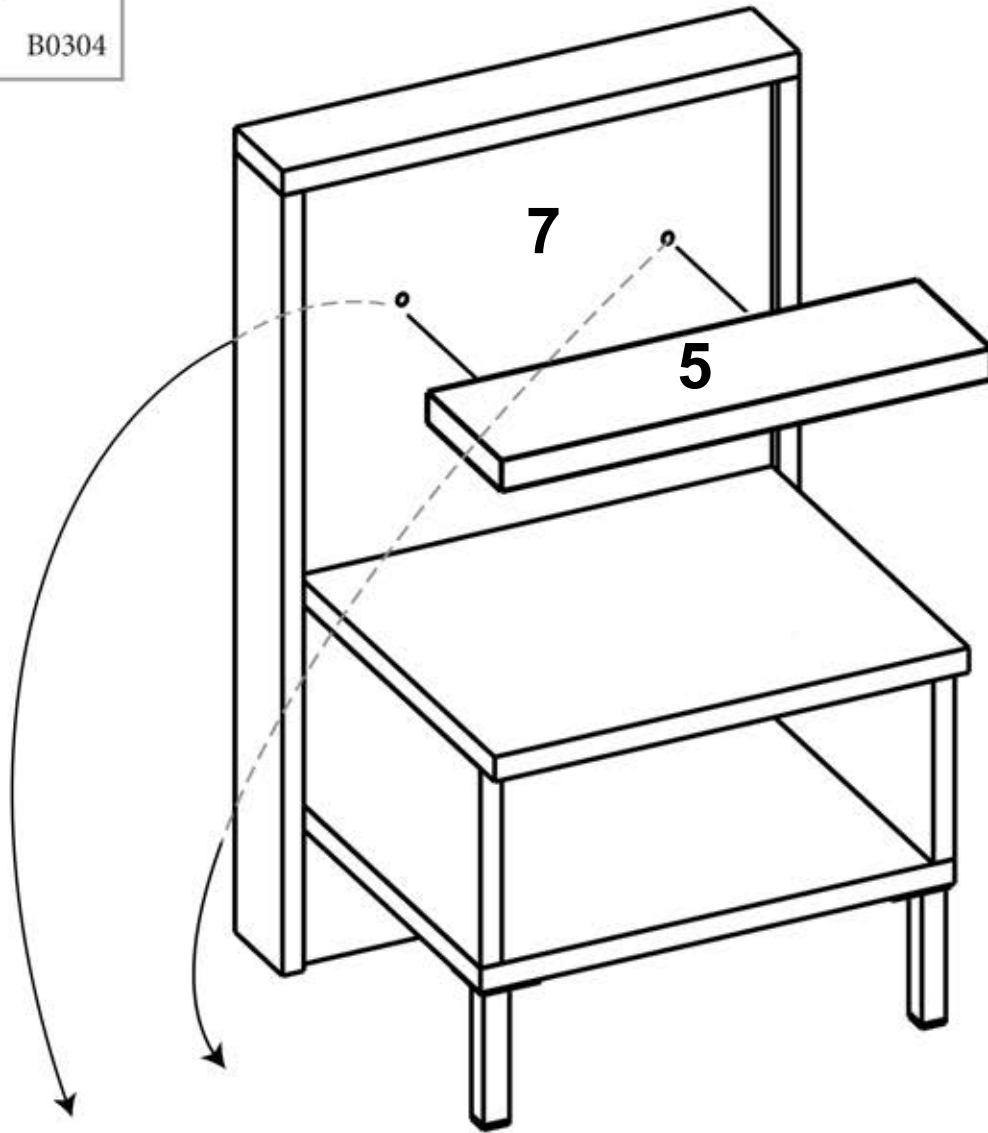


D0154

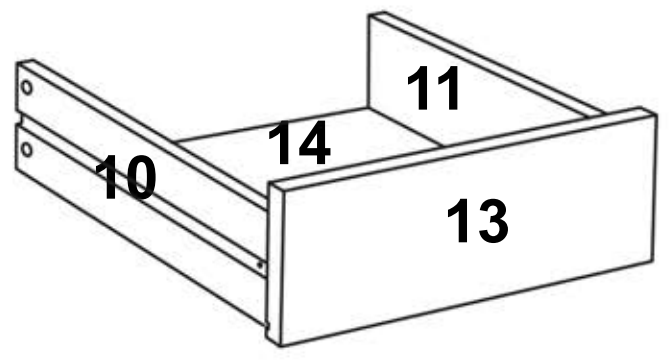
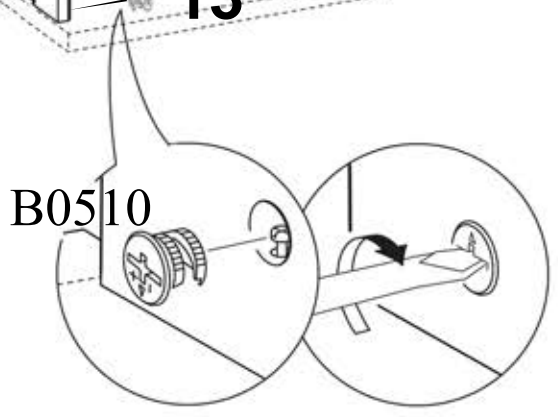
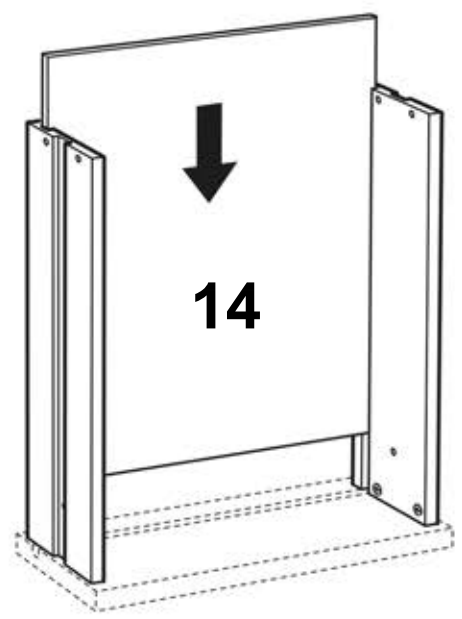
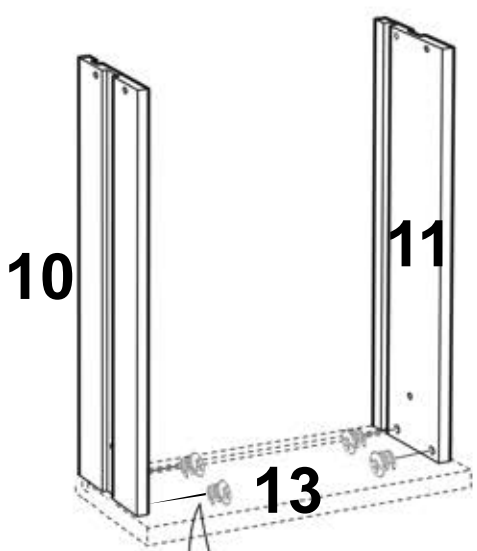
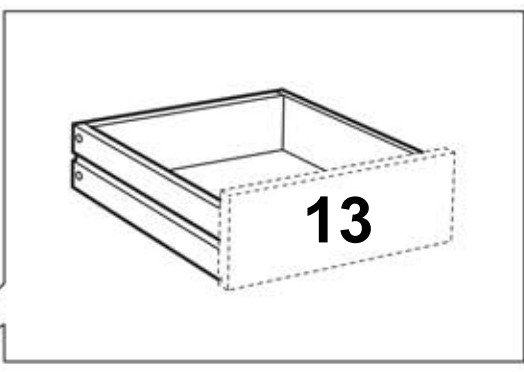
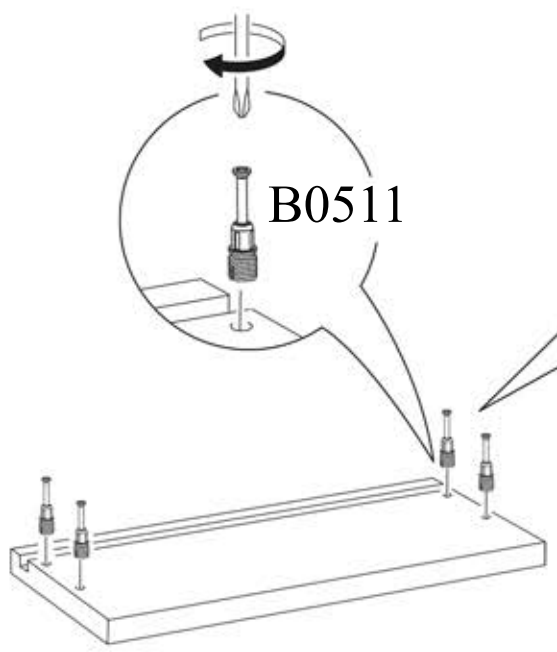
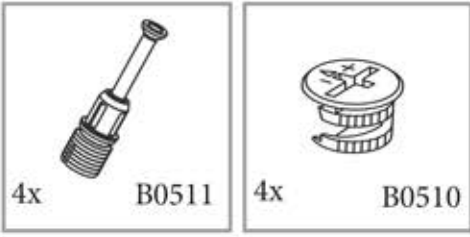


B0301








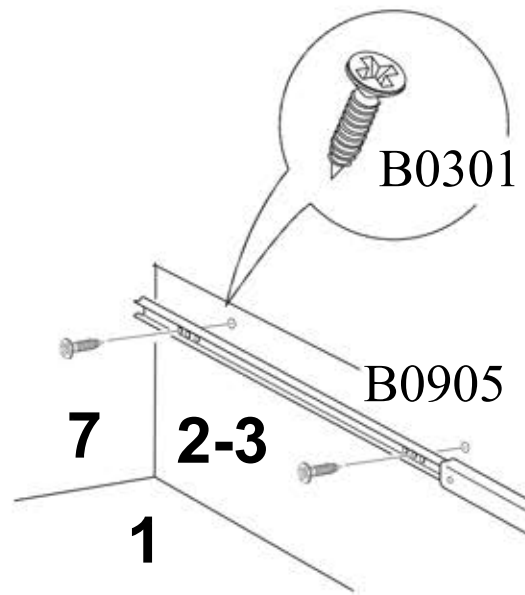
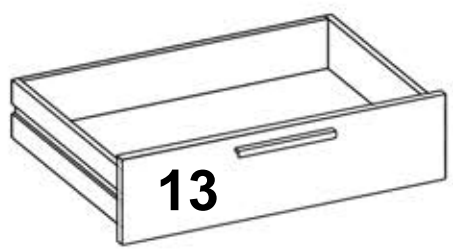
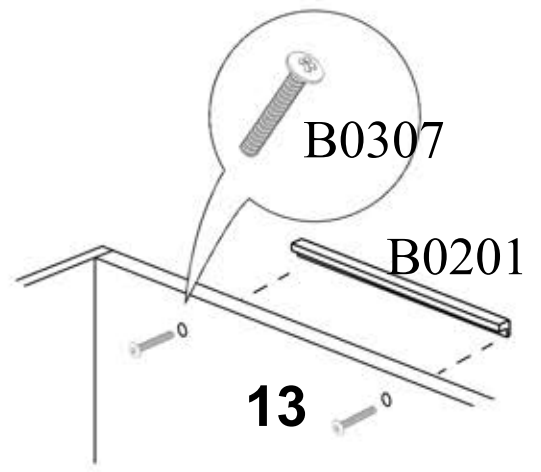
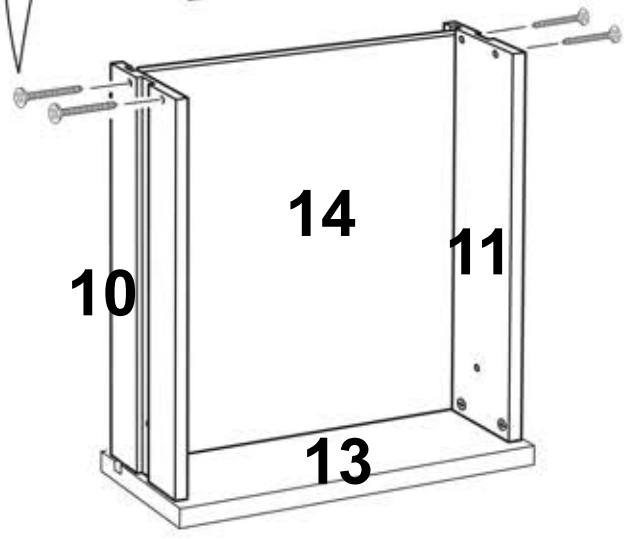
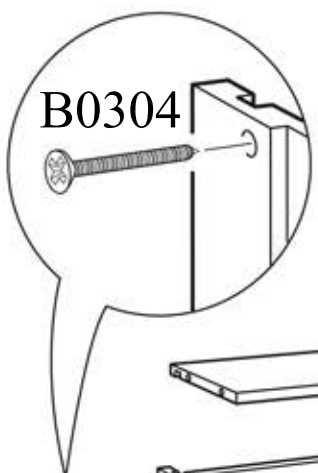








 2x B0905	 1x B0201	 4x B0304	 4x B0301	 2x B0307
--	---	---	---	---





2x B0328

