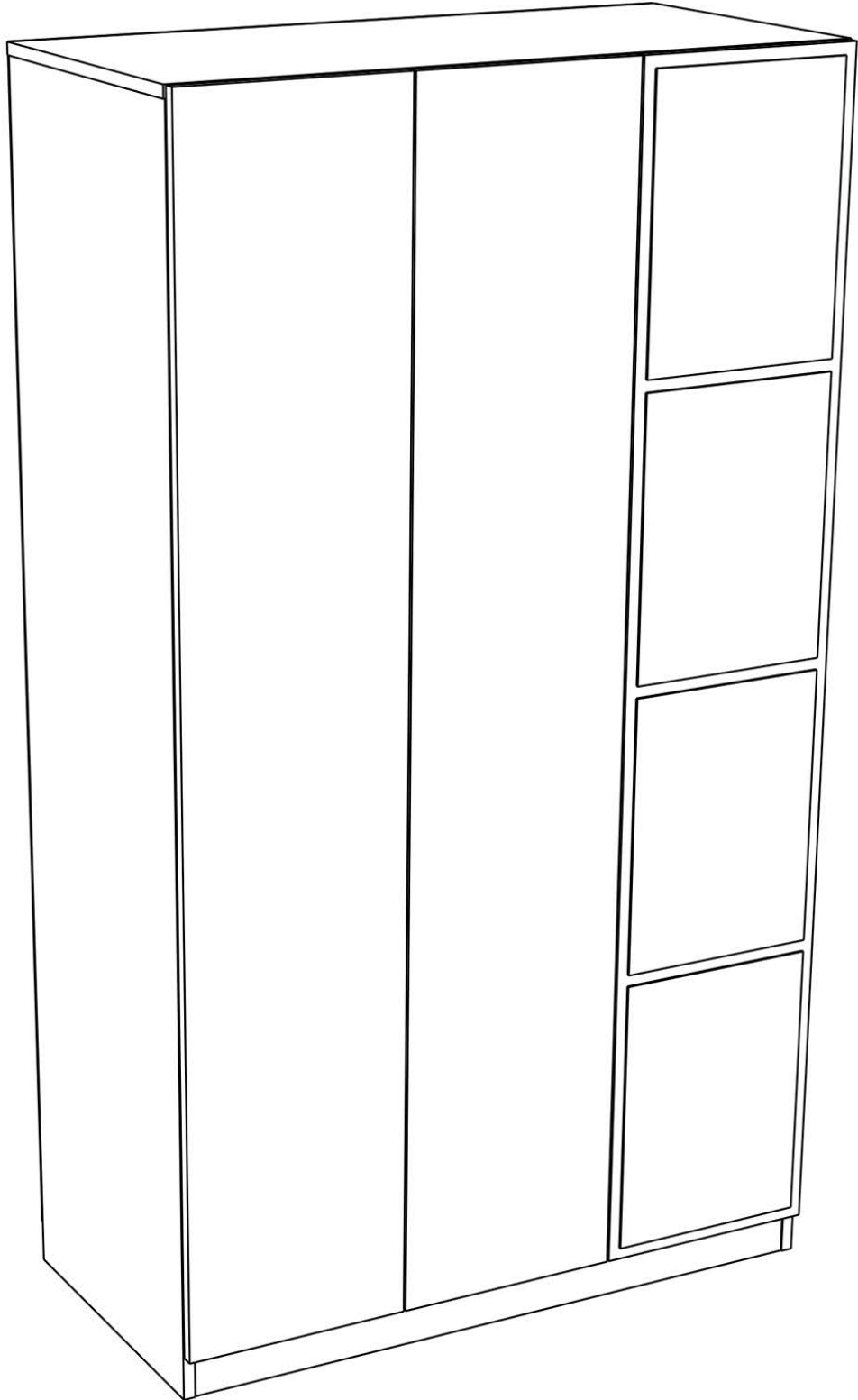
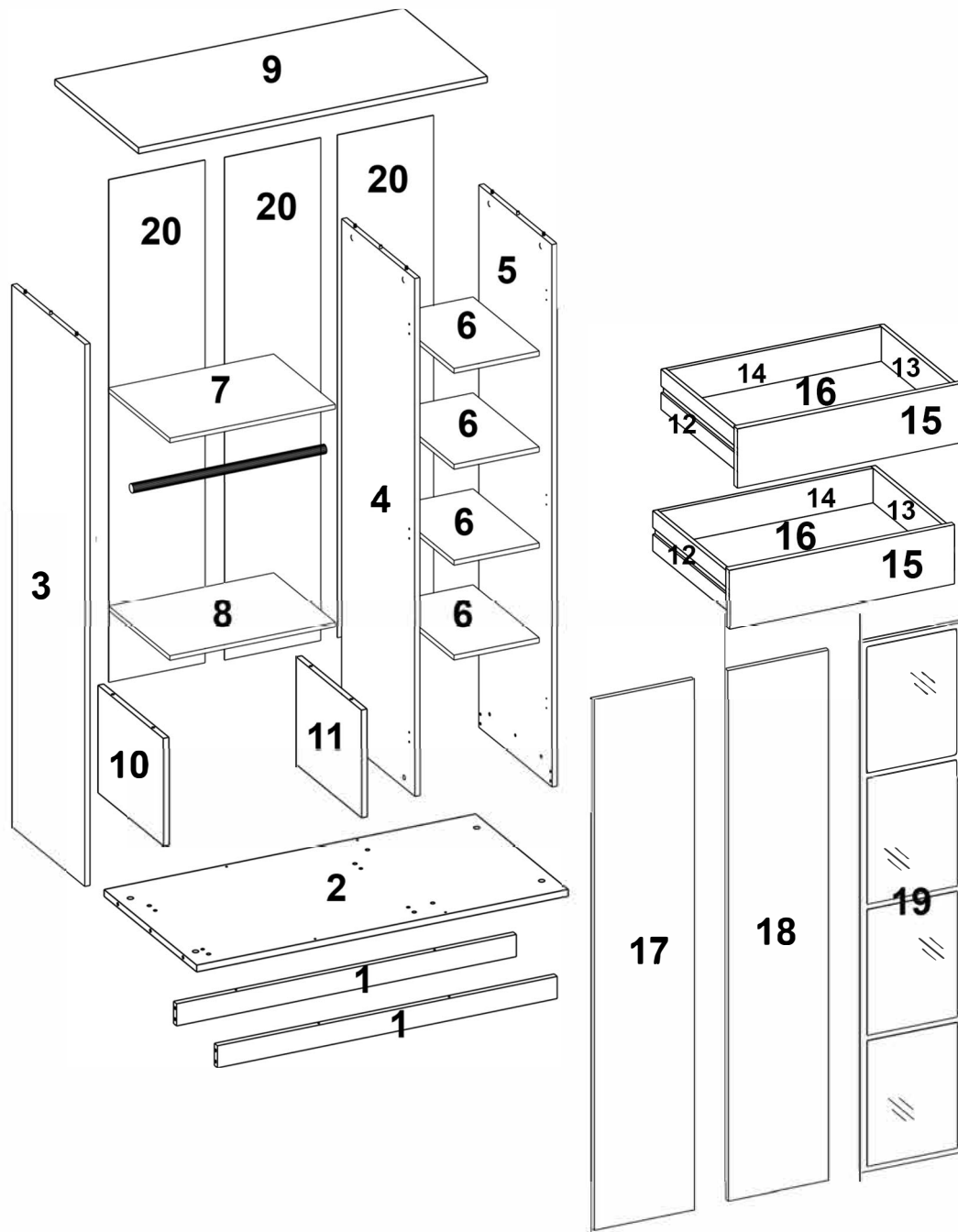
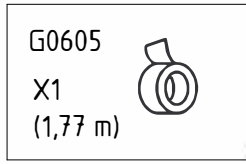
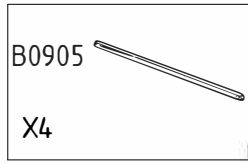
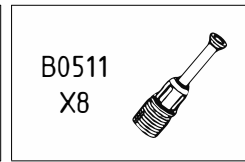
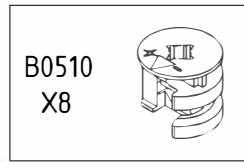
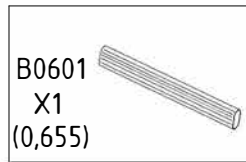
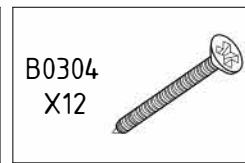
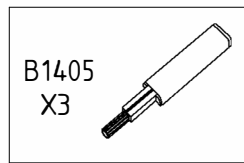
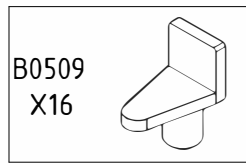
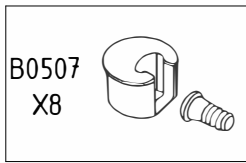
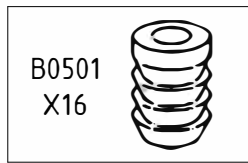
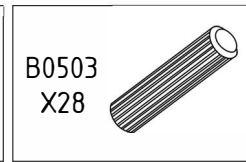
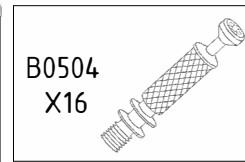
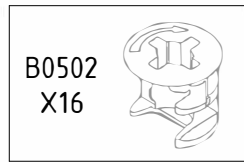
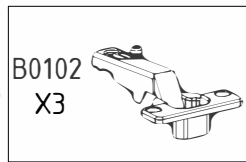
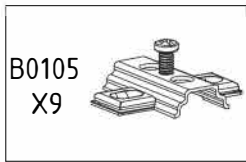
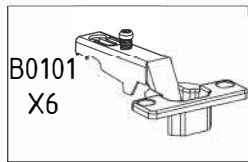


# HM1



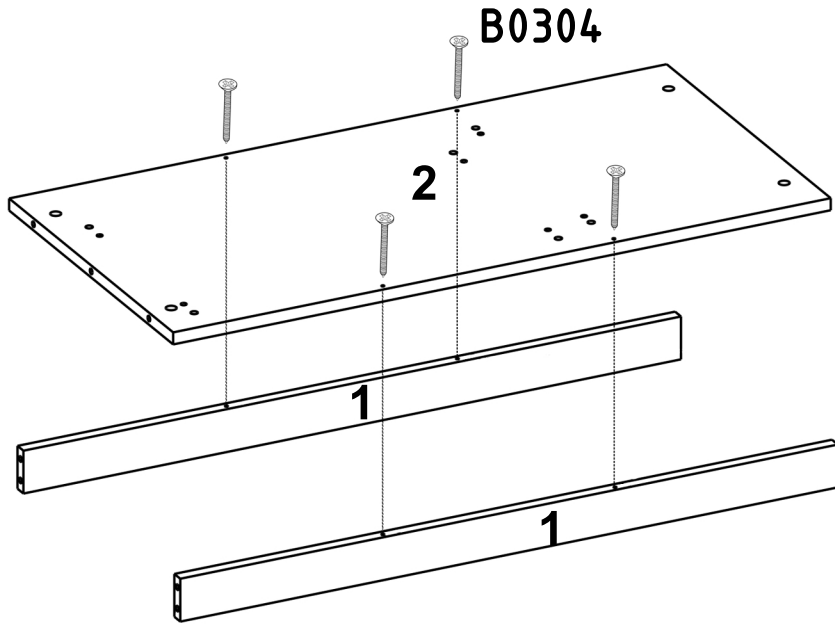
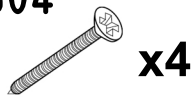




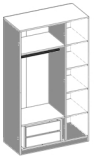
1.



B0304



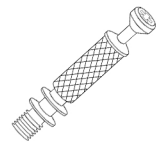
2.



B0503



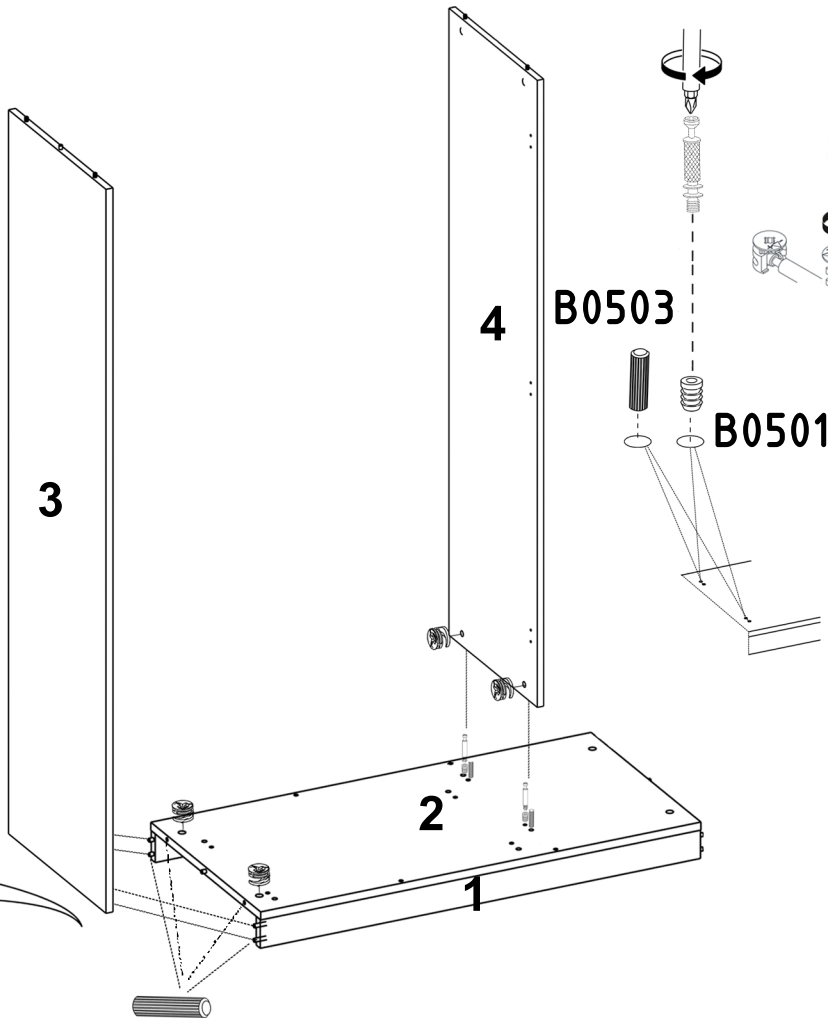
B0502



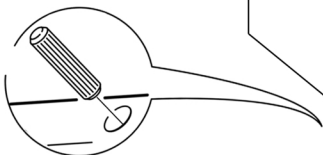
B0504



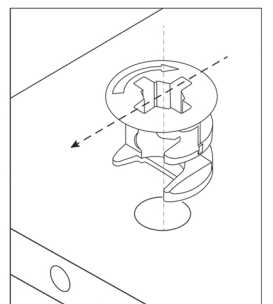
B0501



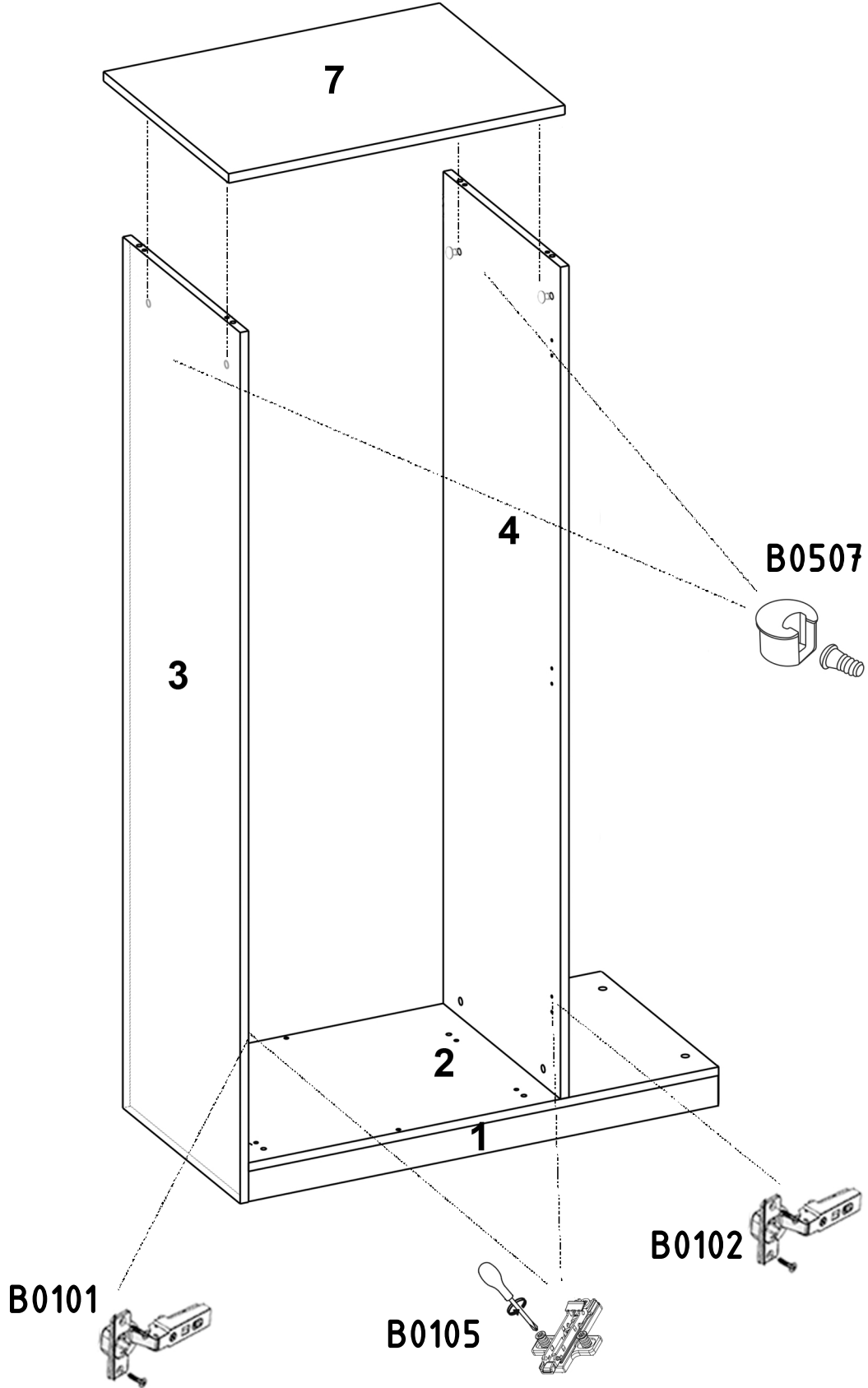
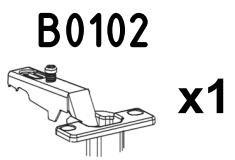
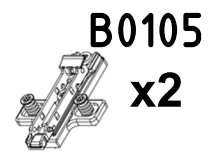
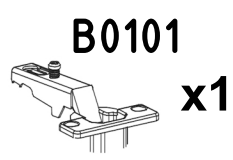
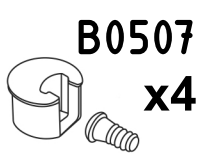
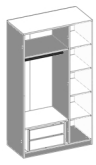
B0503



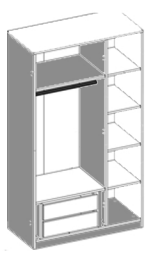
B0502



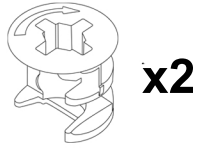
3.



4.

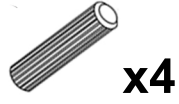


B0502



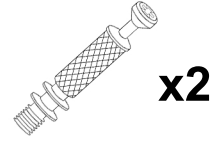
x2

B0503



x4

B0504

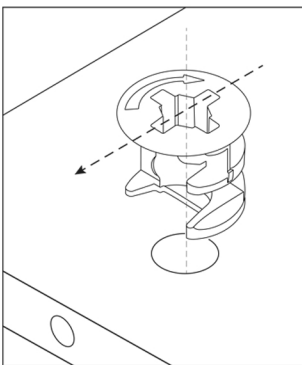
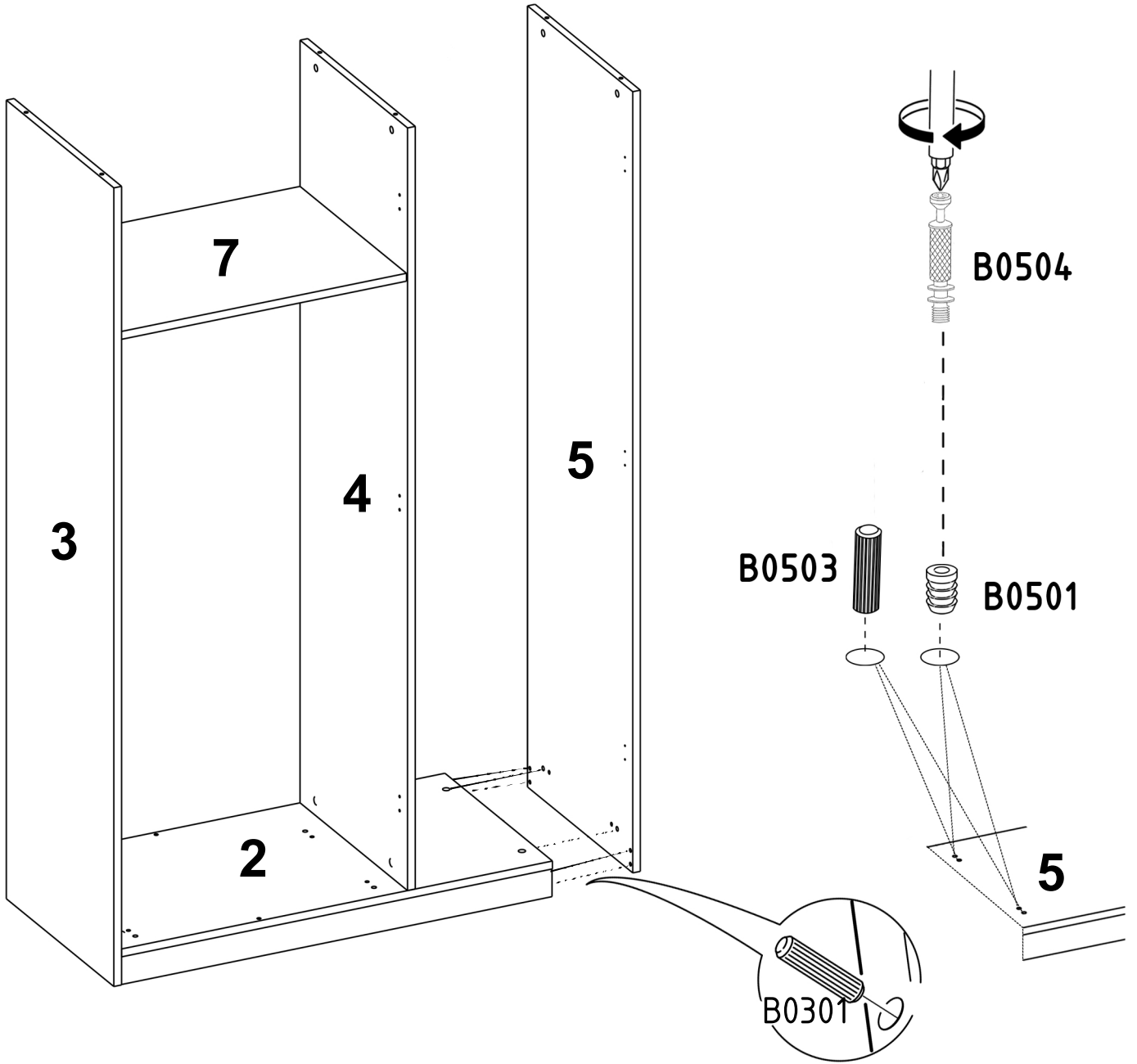


x2

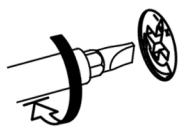
B0501



x2

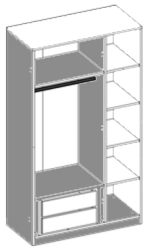


B0502

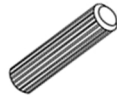


2

**5.**



**B0503**



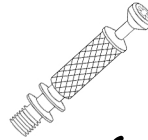
**x6**

**B0502**



**x6**

**B0504**

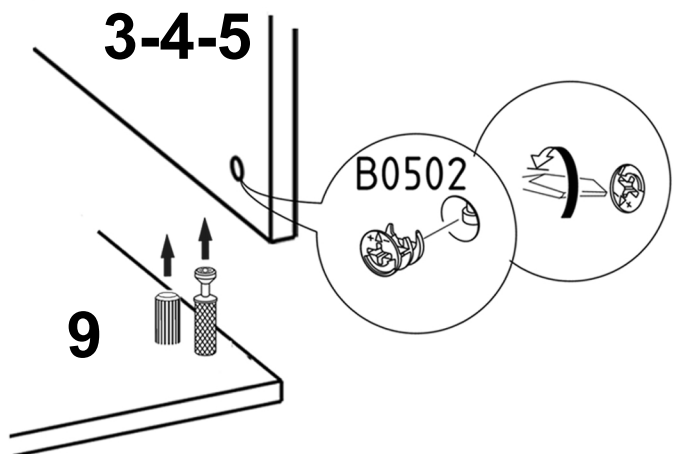
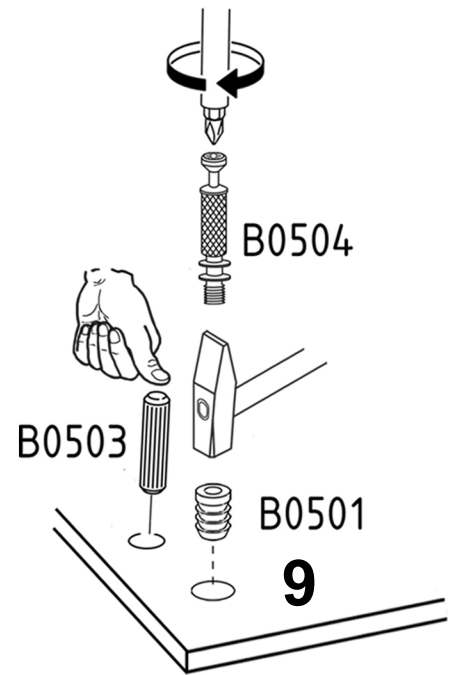
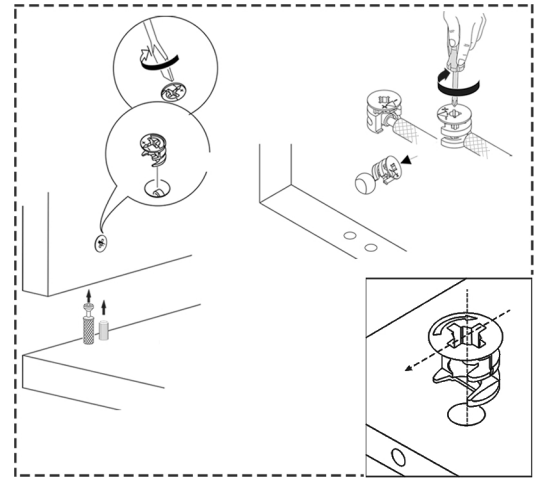
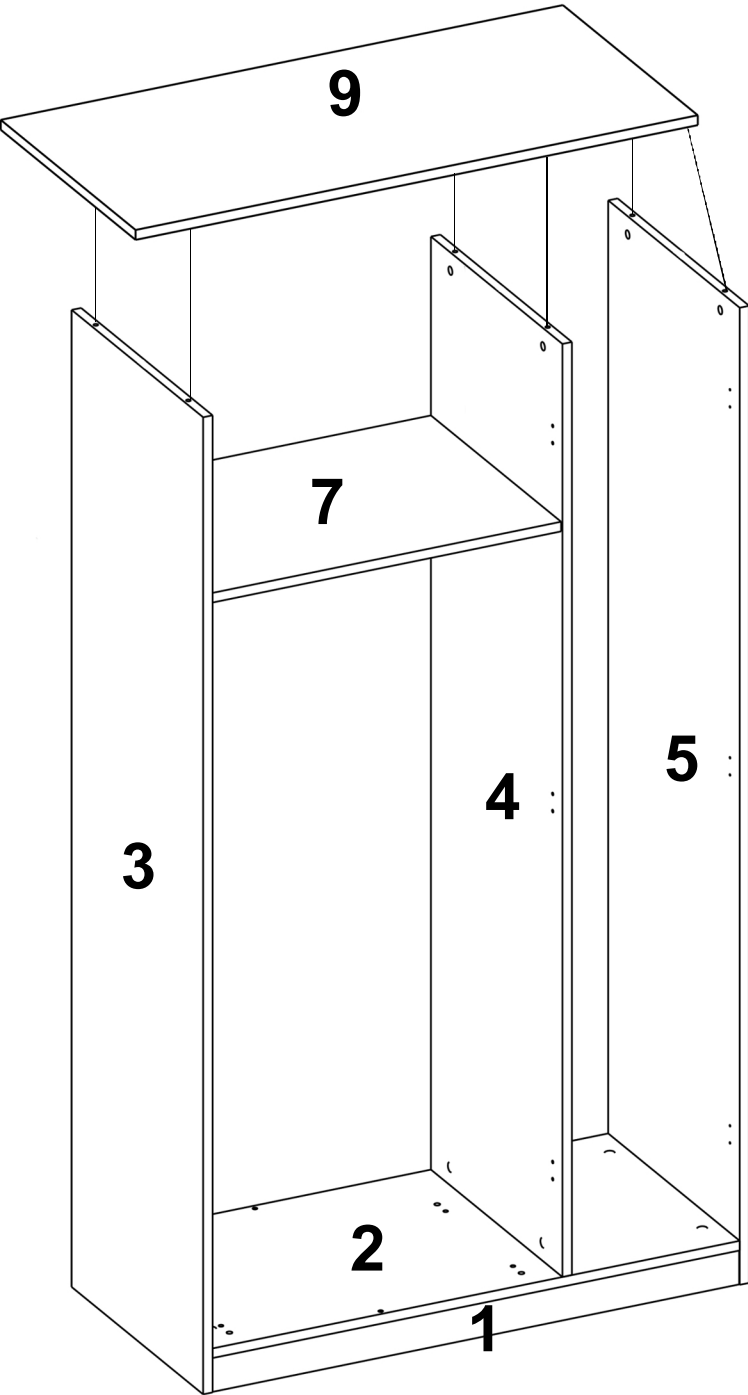


**x6**

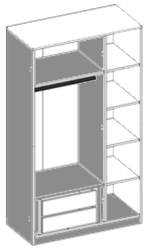
**B0501**



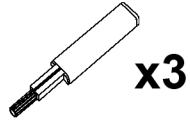
**x6**



6.



B1405



B0509



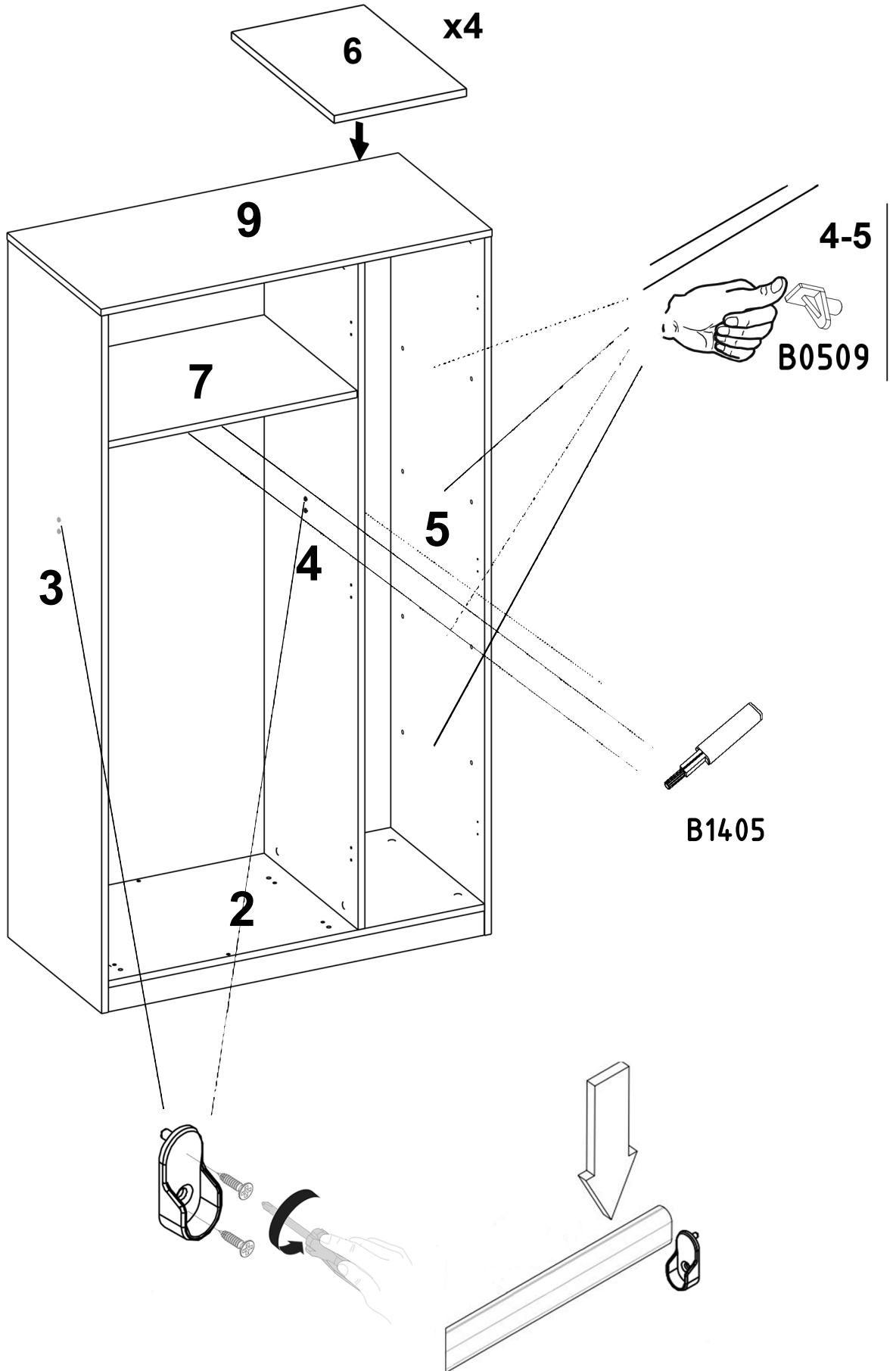
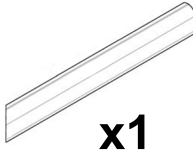
B0301



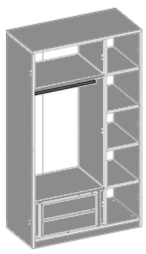
B0602



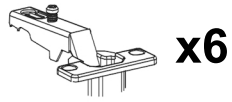
B0601



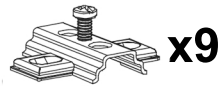
7.



B0101



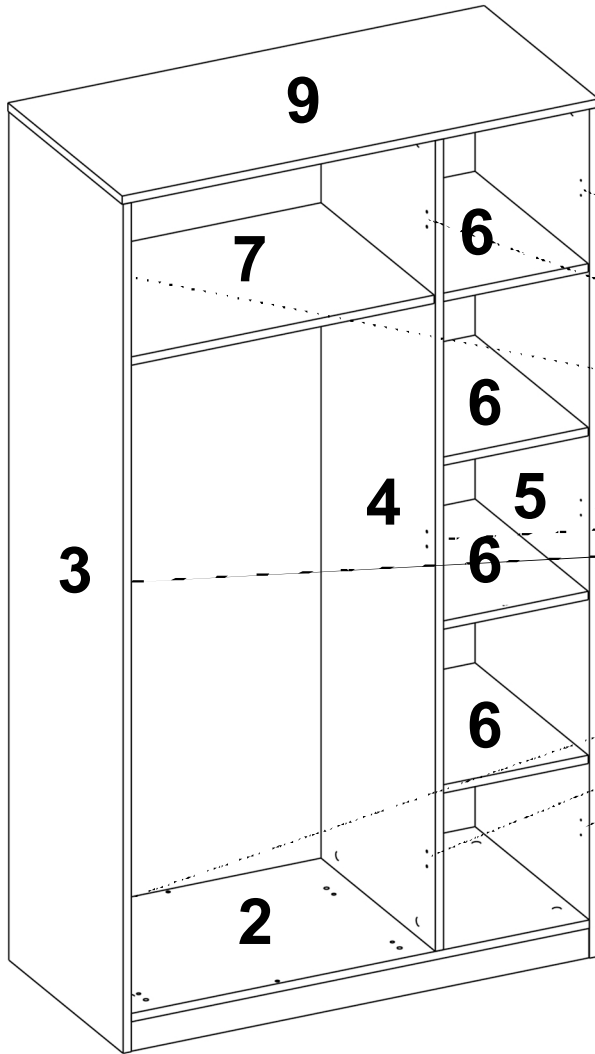
B0105



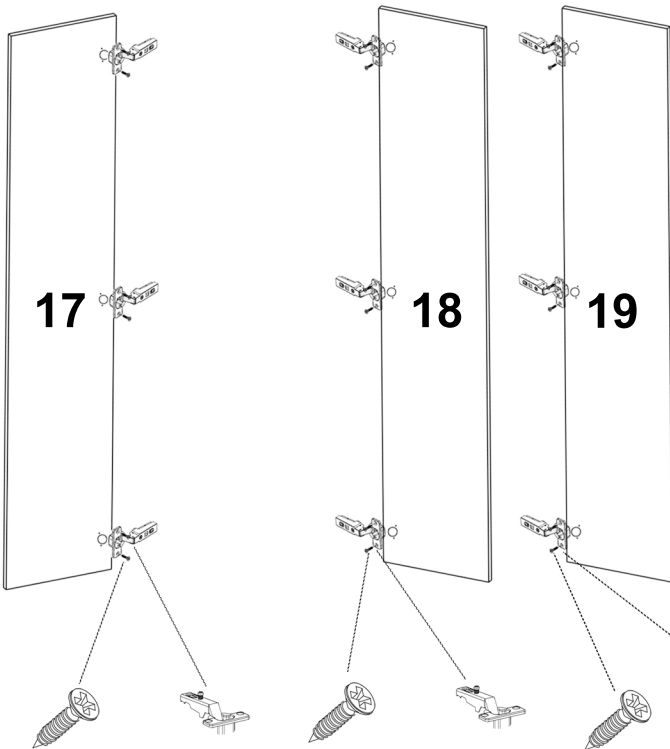
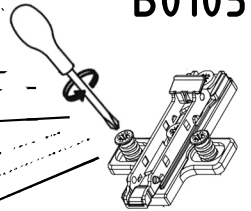
B0102



B0301



B0105



17

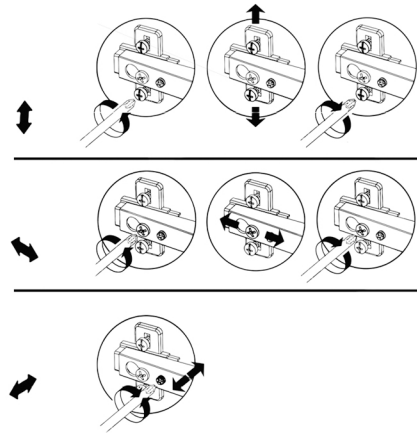
18

19

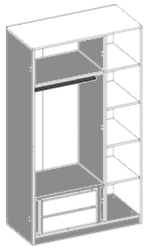
B0101

B0102

B0101



8.

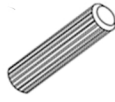


B0502



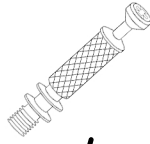
x4

B0503



x4

B0504

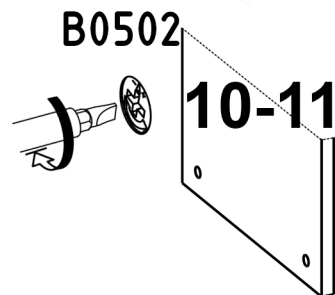
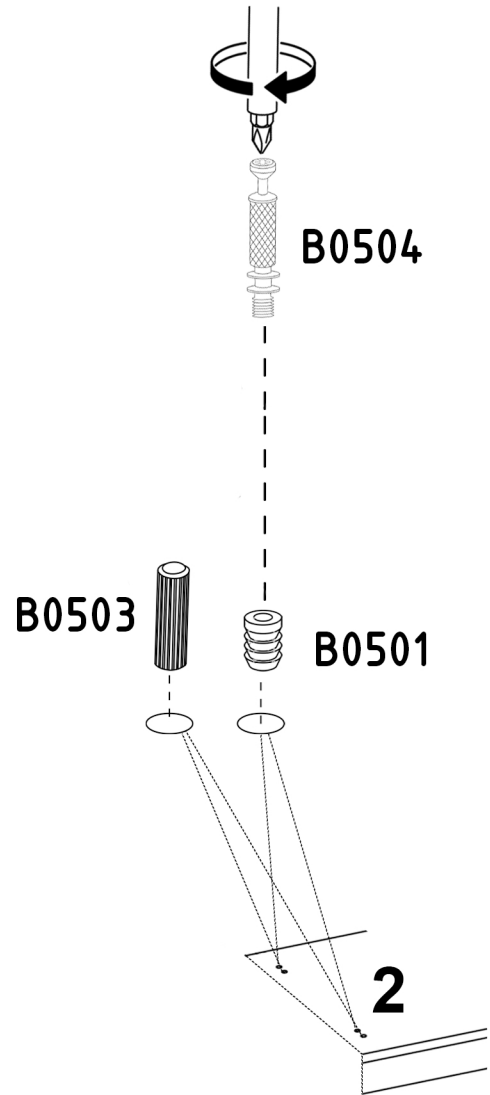
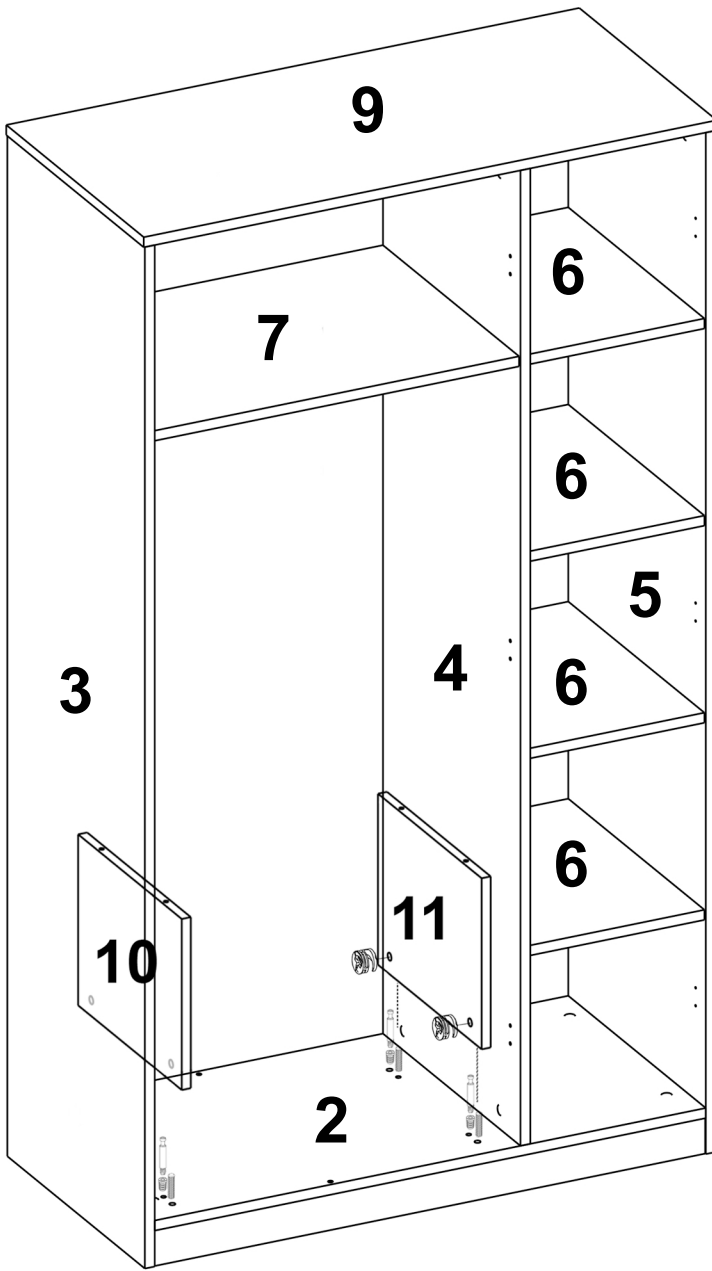


x4

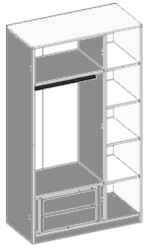
B0501



x4



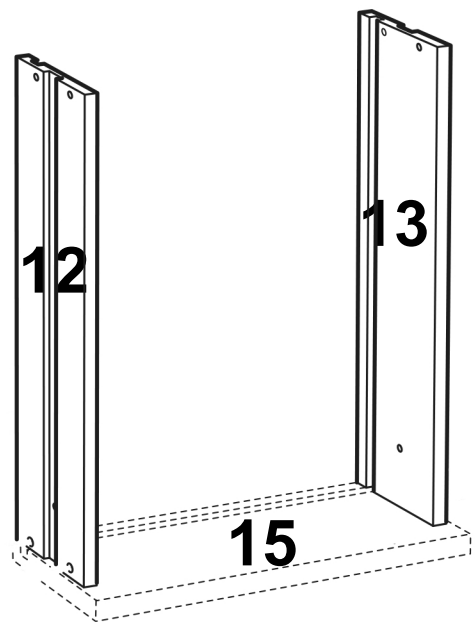
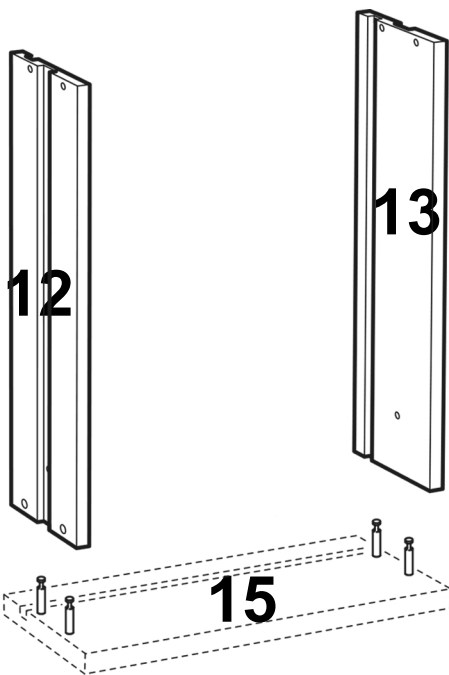
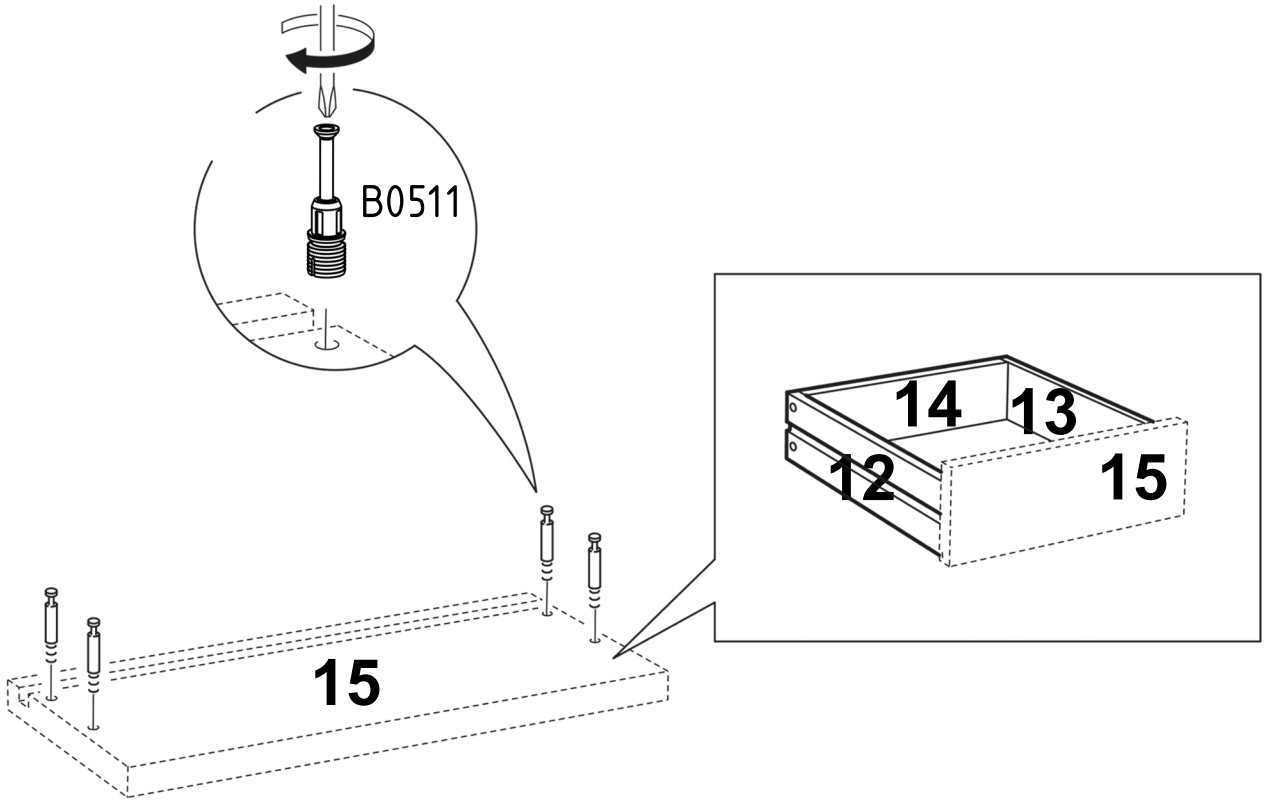
9.



B0511

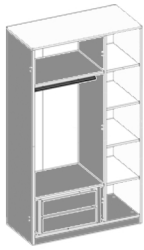


x8





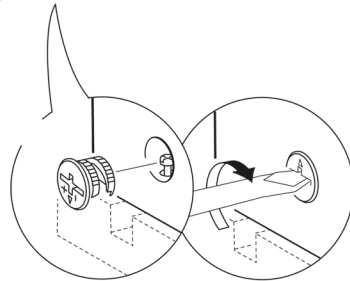
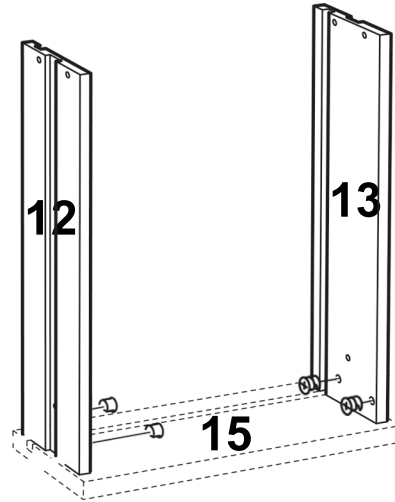
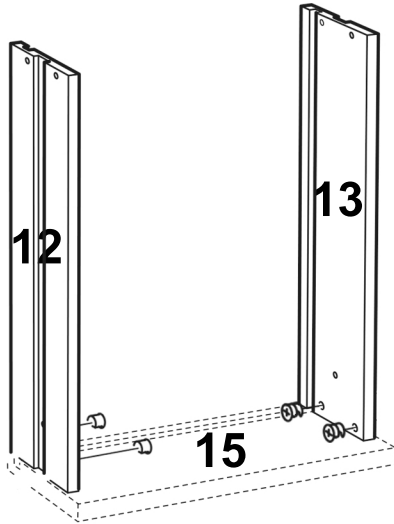
10.



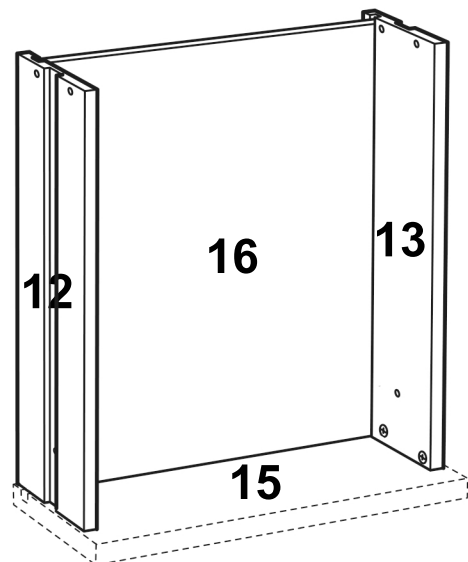
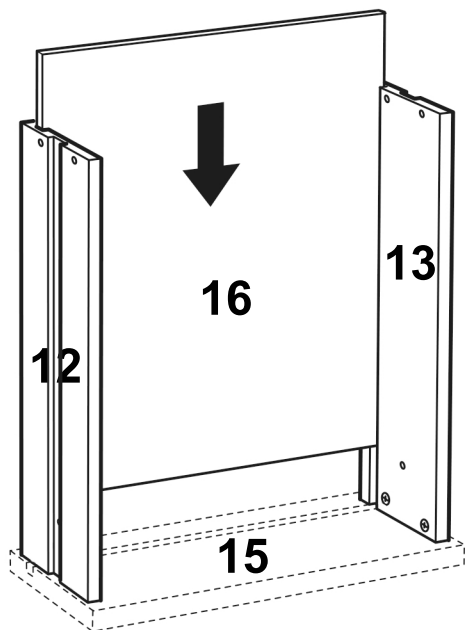
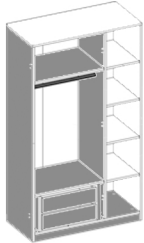
B0510



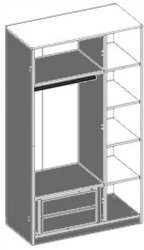
x8



11.



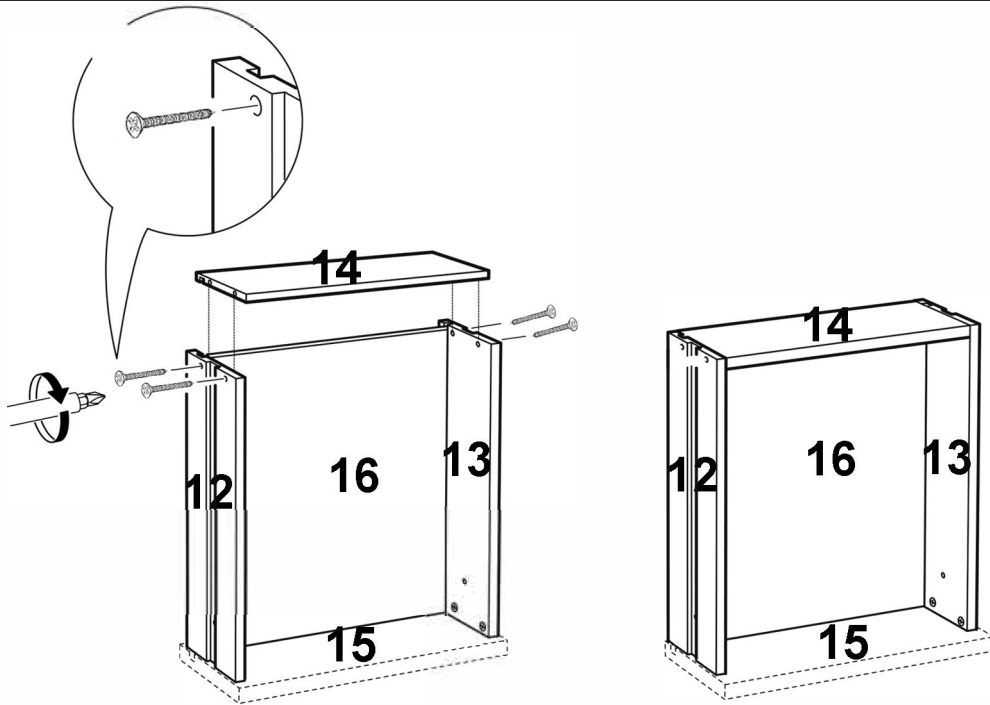
12.



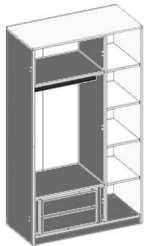
B0304



x8



13.

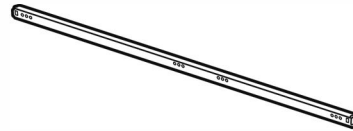


B0301

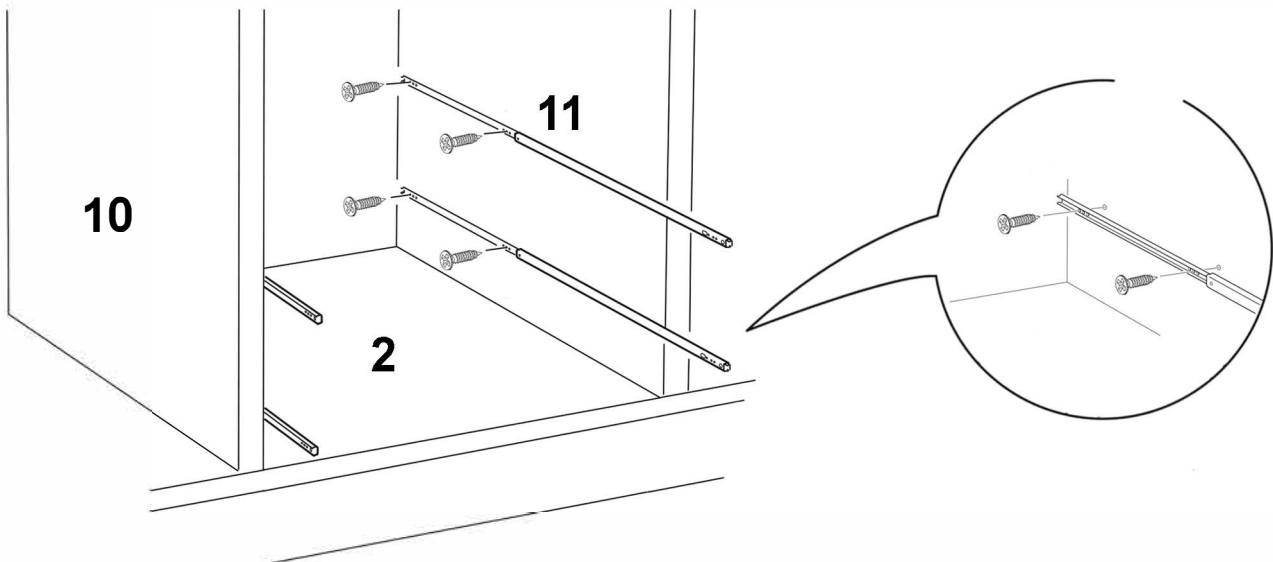


x8

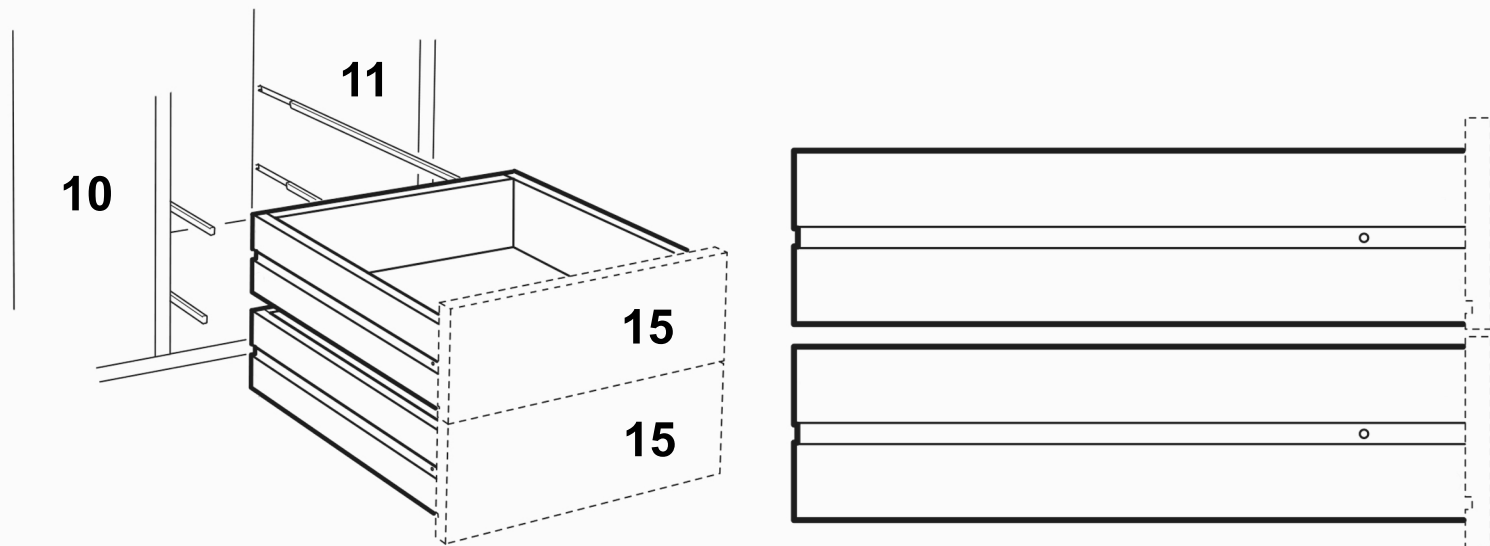
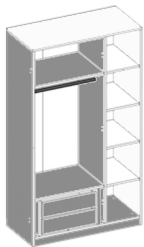
B0509



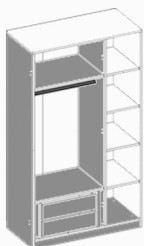
x4



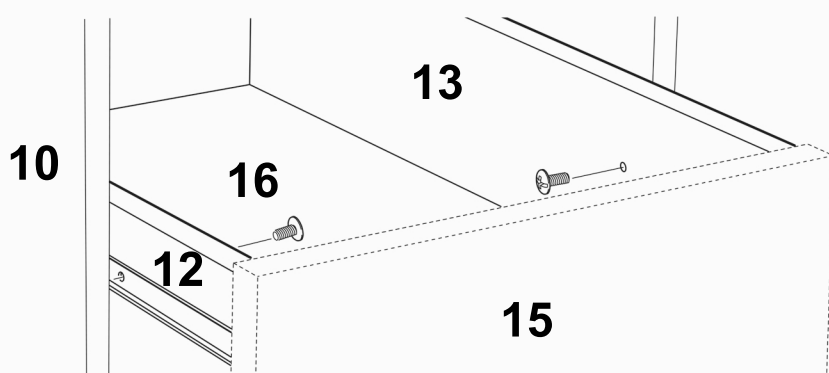
# 14.



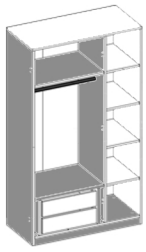
# 15.



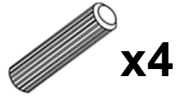
**B0328**



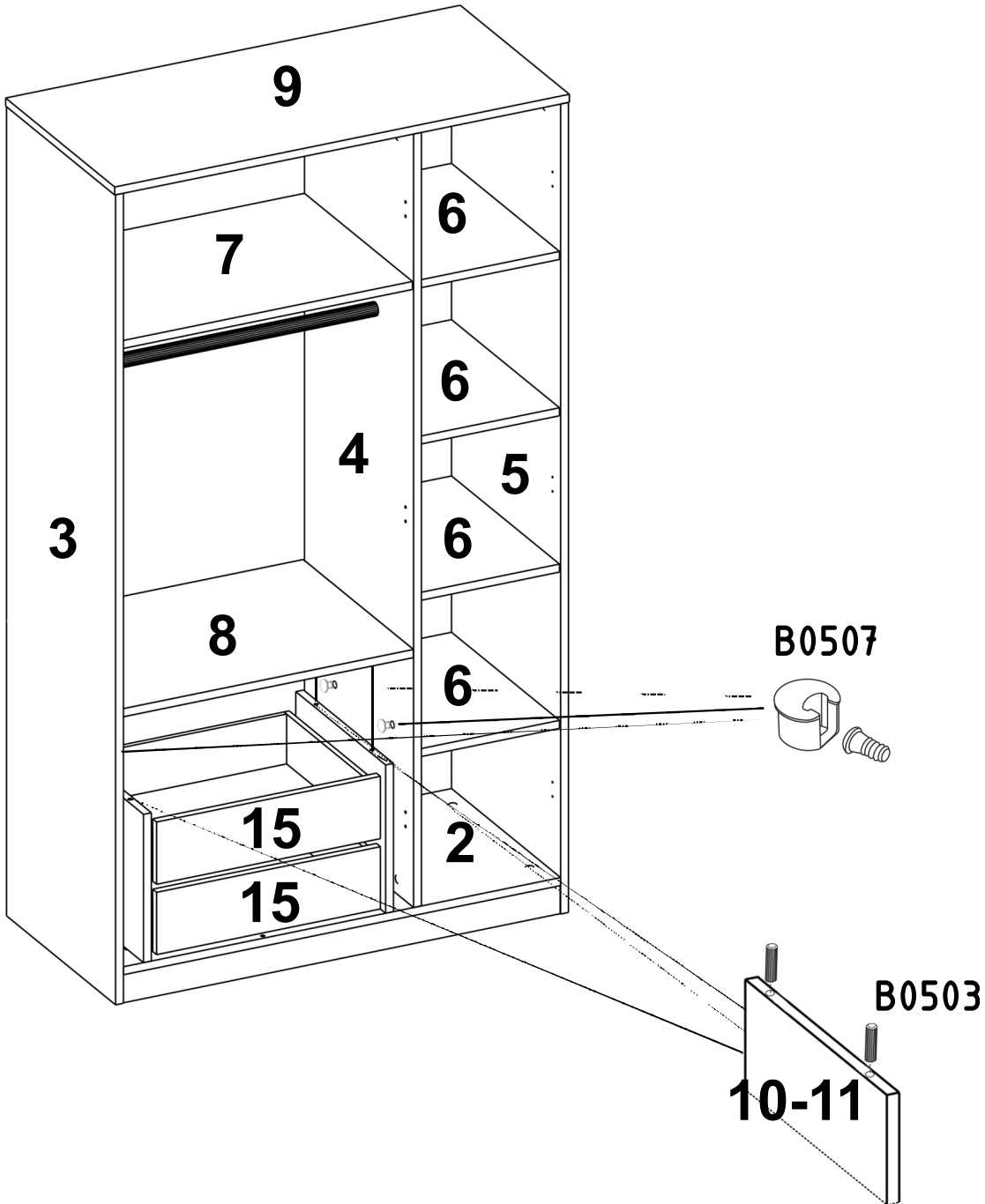
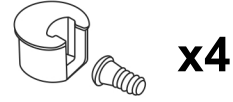
16.



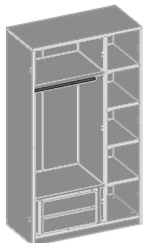
B0503



B0507



17.



B0318



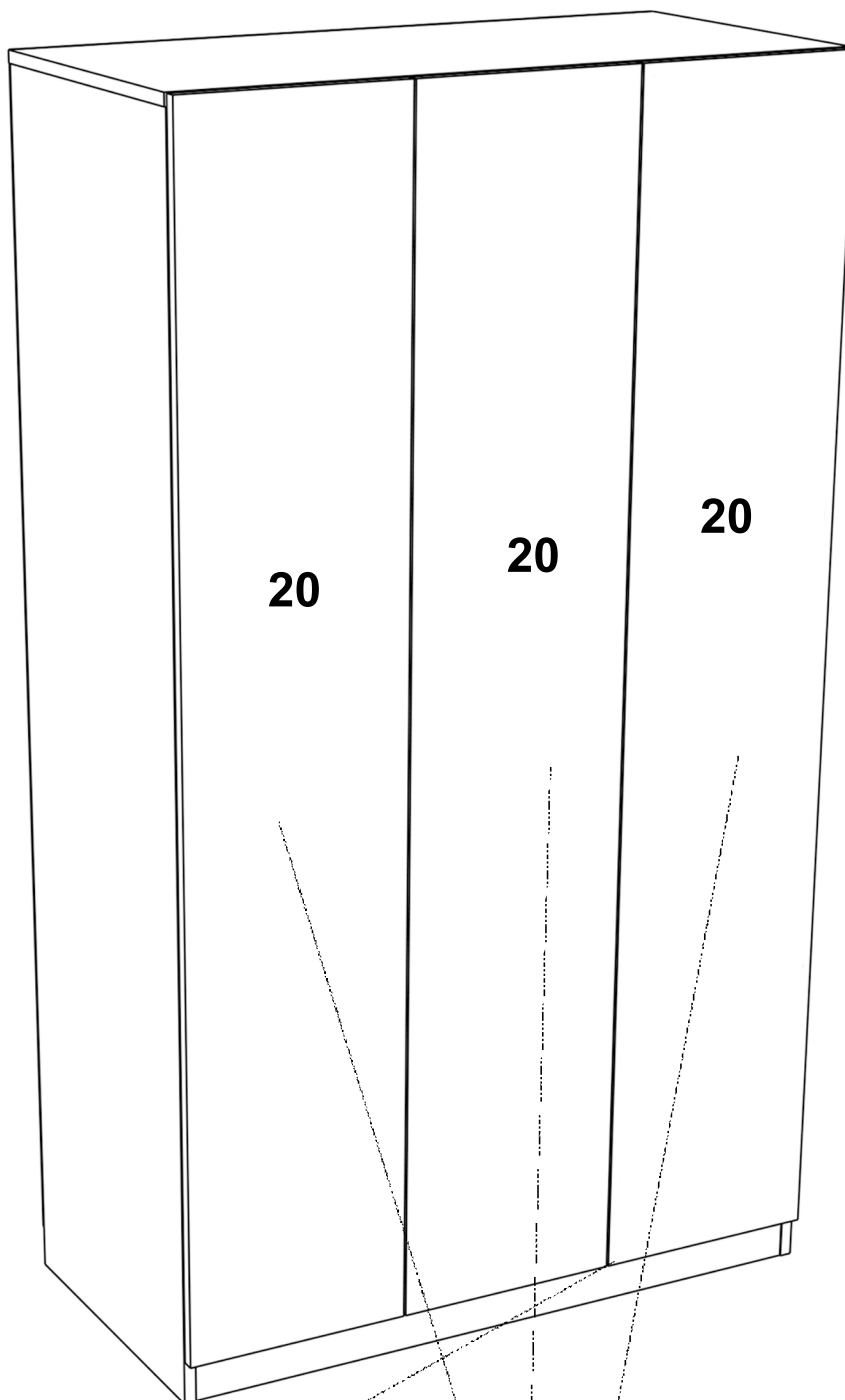
x60

G0604



x1

(1,77 m)



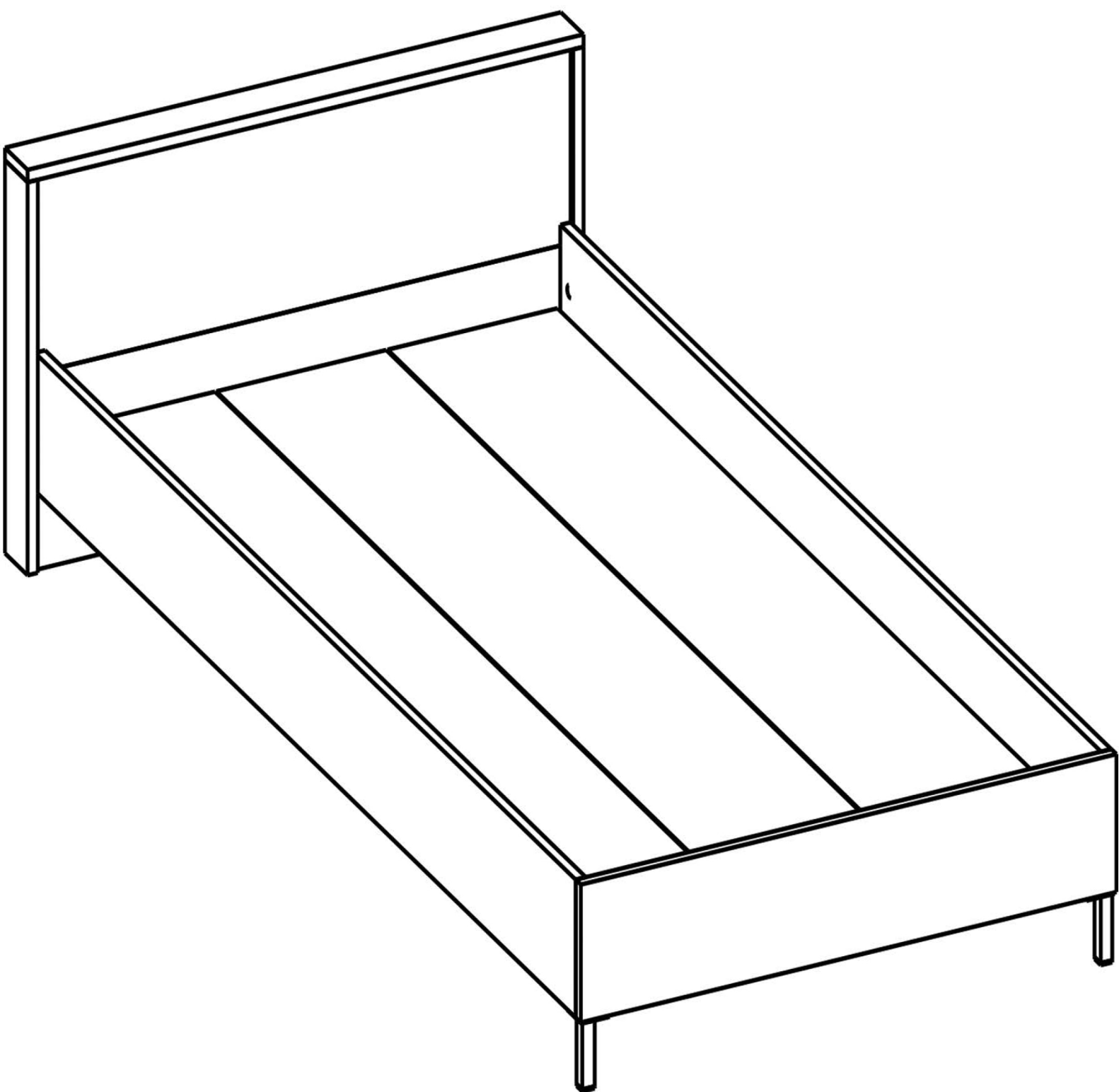
G0604

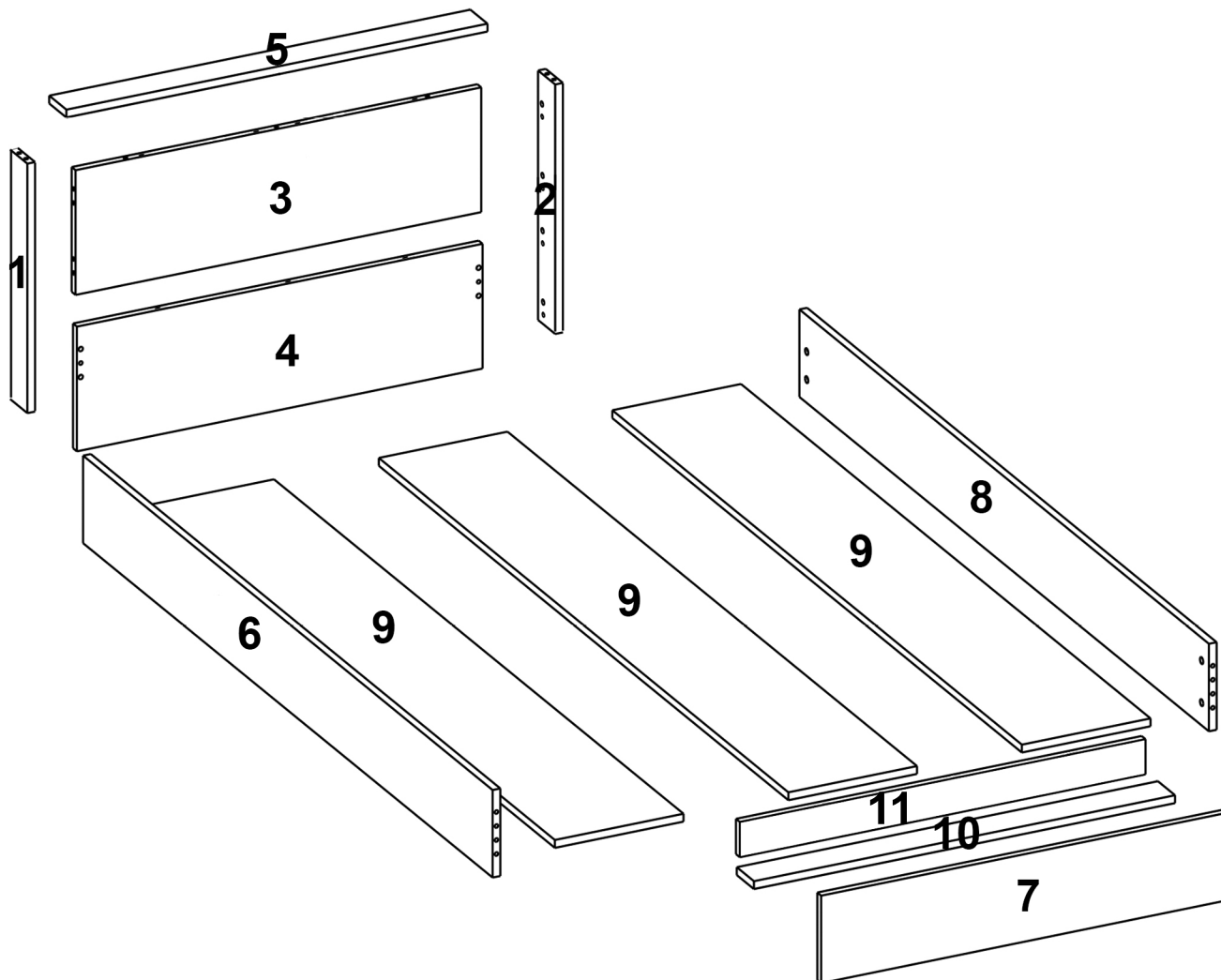



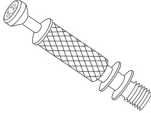
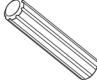









B0318

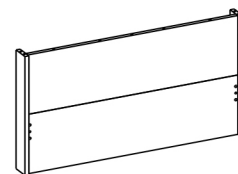
15

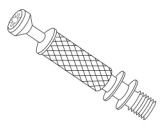




# HM4

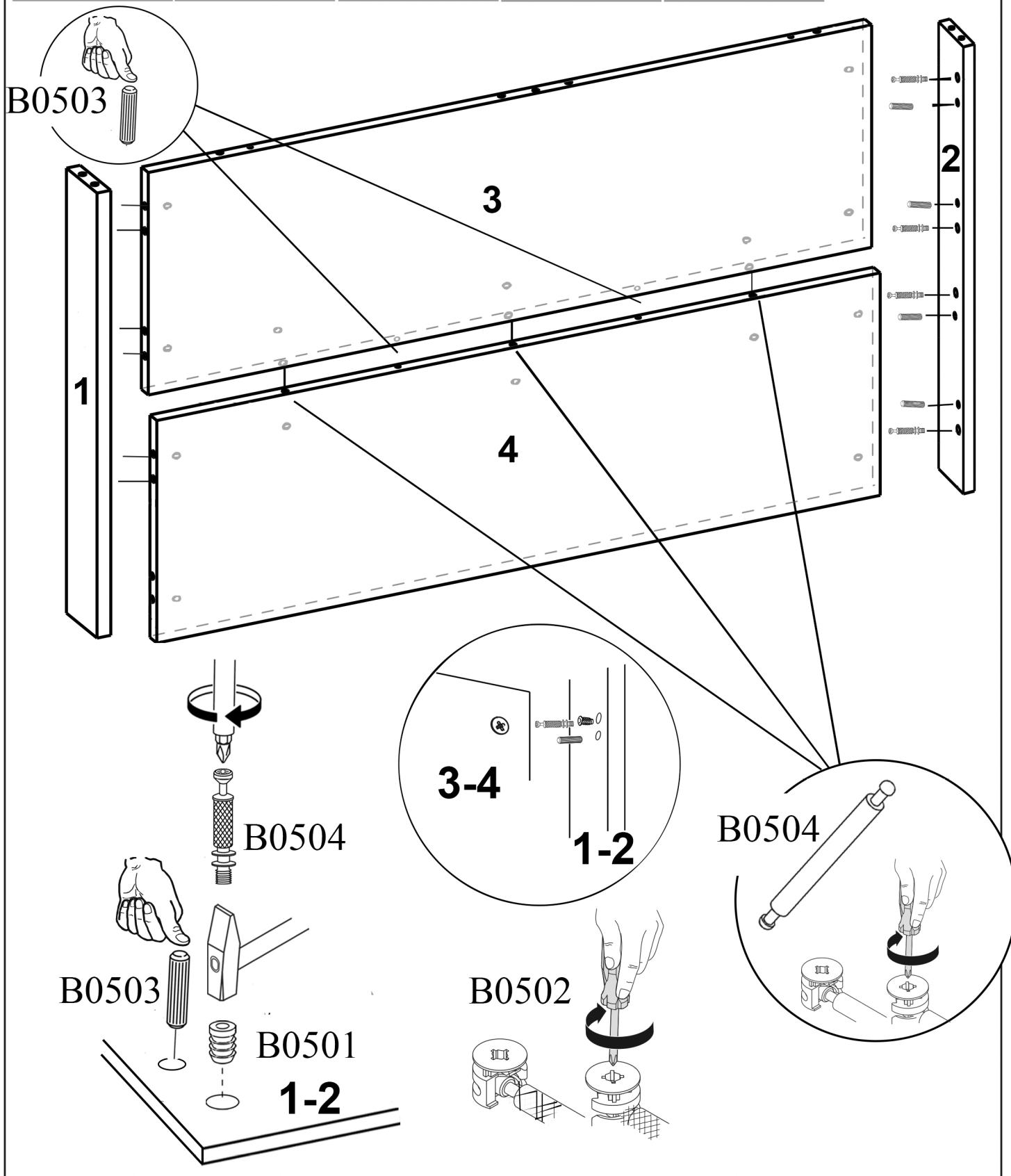




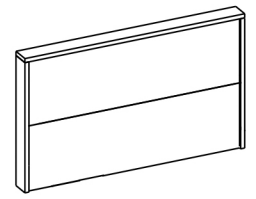
 28x B0502	 23x B0504	 26x B0503	 2x D0154	 12x B0309	 3x D0501
 6x B0301	 35x B0501	 2x B1702	 3x B0505	 4x B0303	 3x B0304



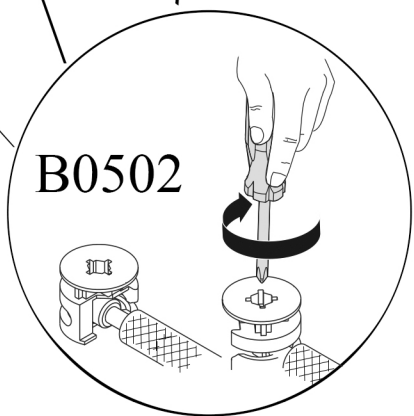
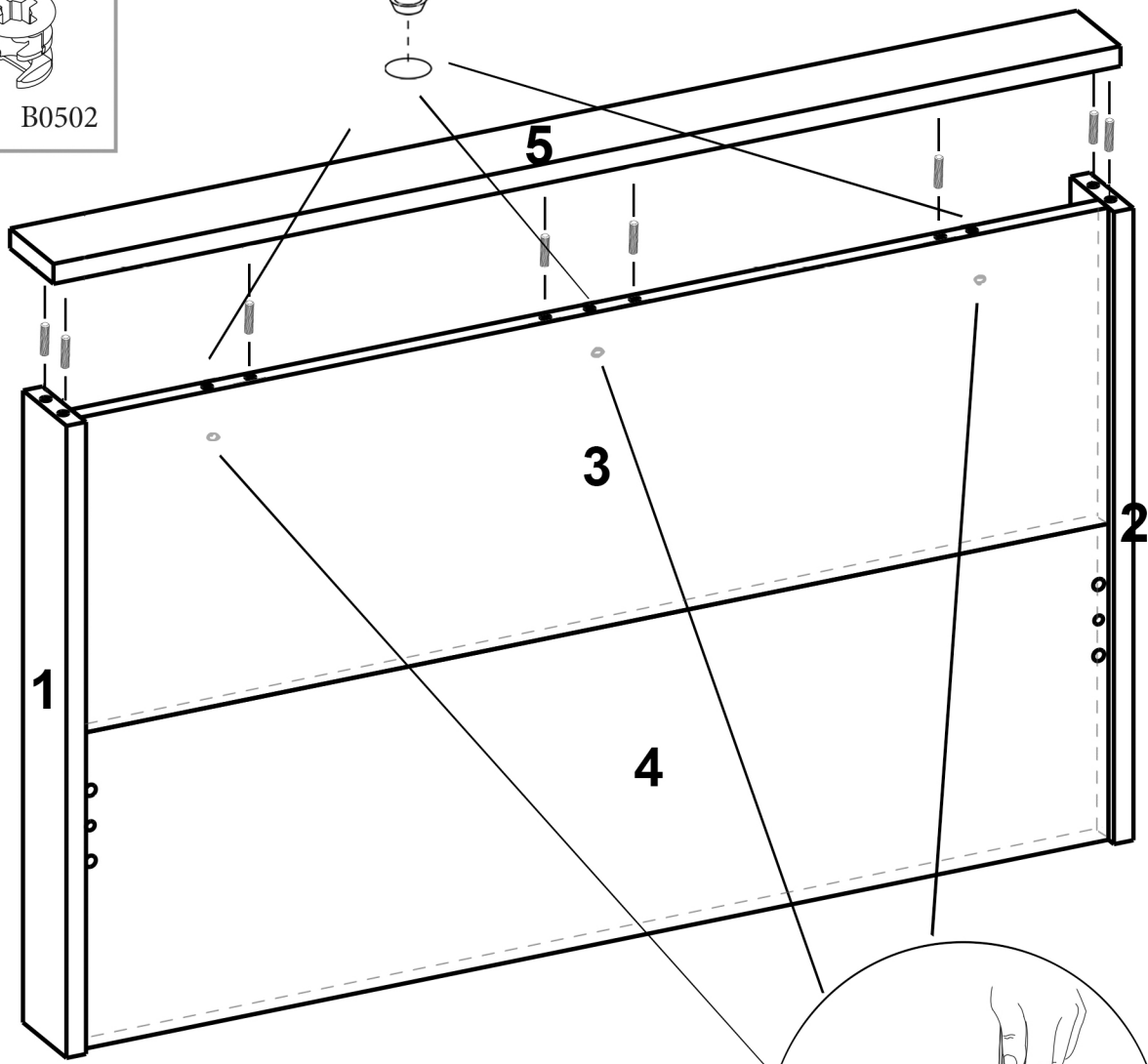
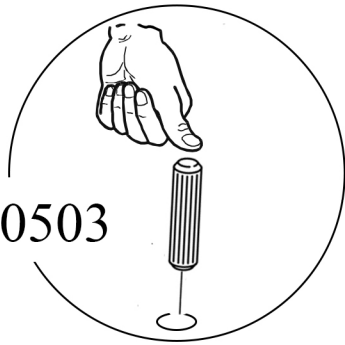
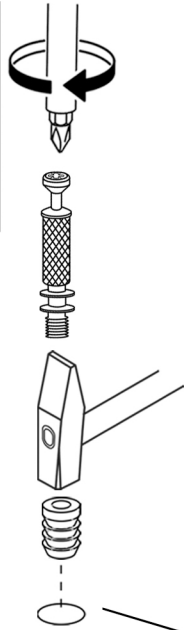
 8x B0504	 10x B0503	 8x B0501	 14x B0502	 3x B0505
---	--	---	--	---





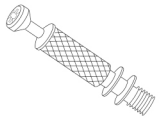


- 8x B0503
- 3x B0504
- 3x B0501
- 3x B0502



4/8

# HM4



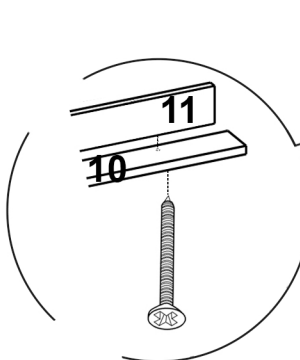
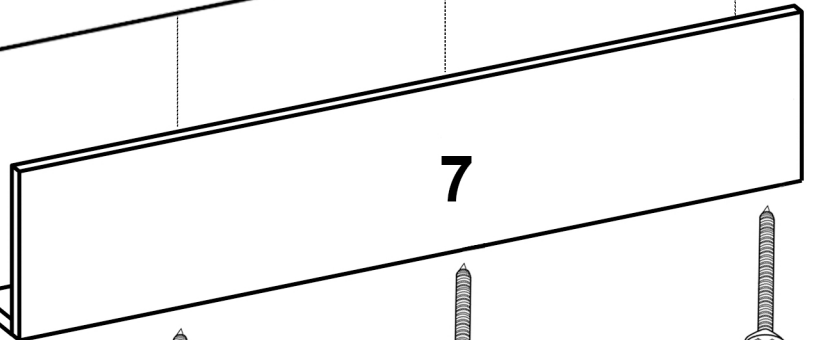
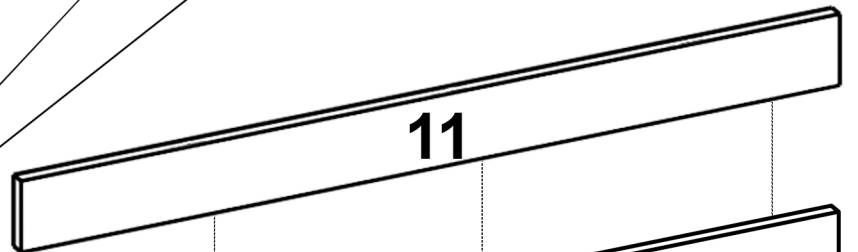
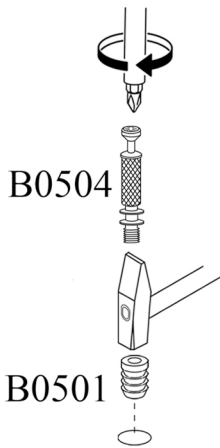
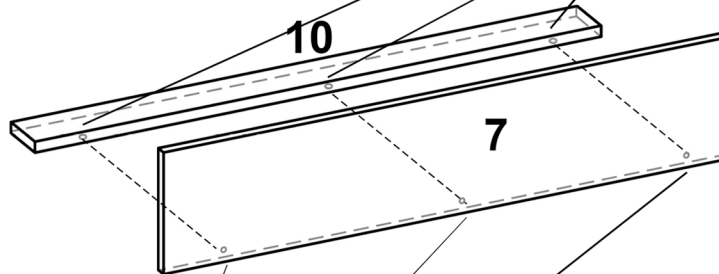
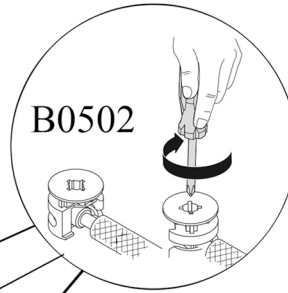
3x B0504



3x B0502

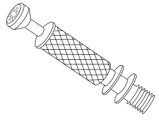
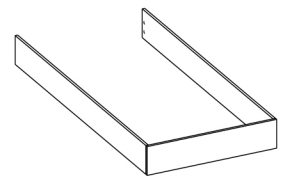


3x B0501

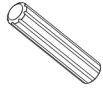


5/8

# HM4



4x B0504



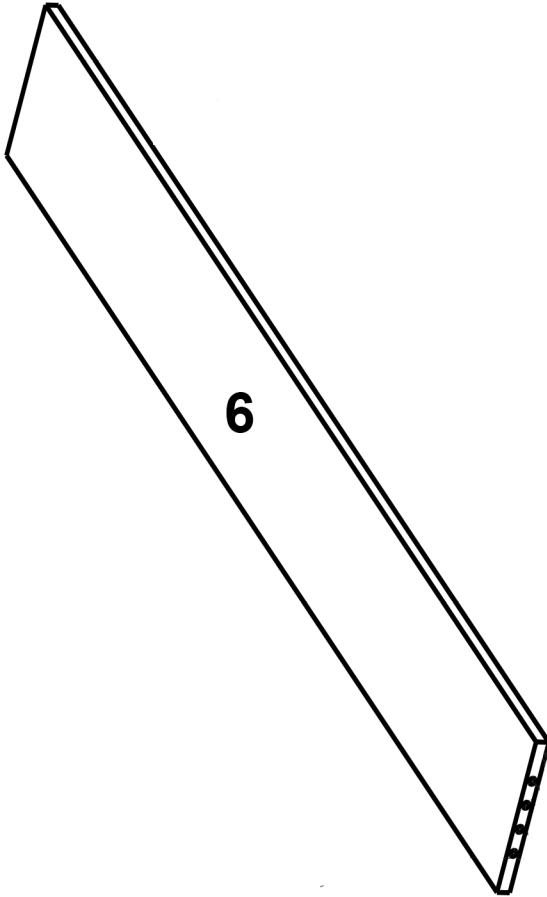
4x B0503



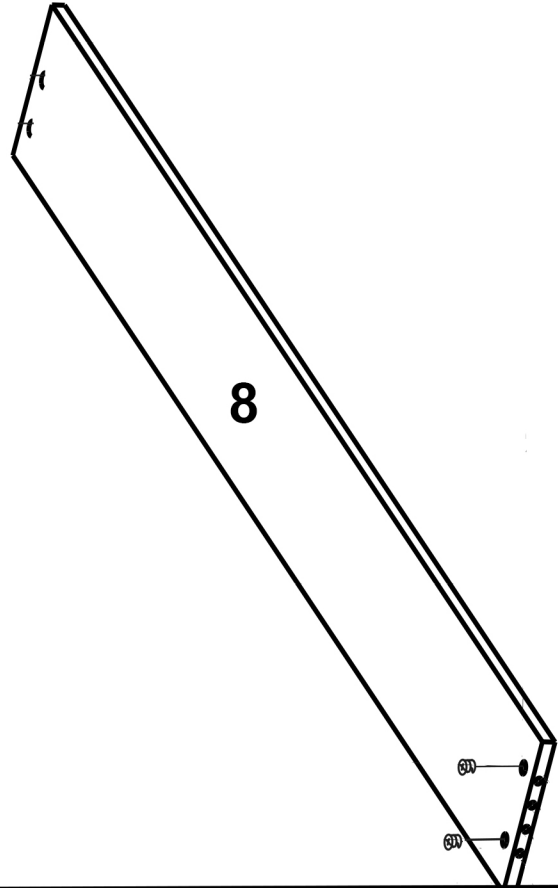
4x B0501



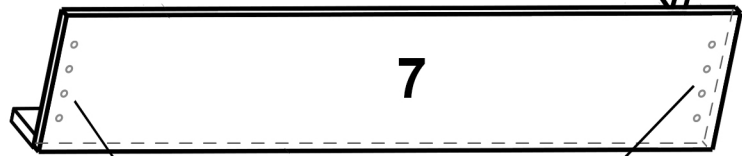
4x B0502



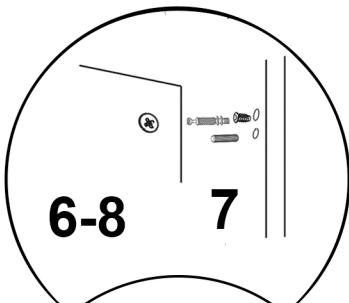
6



8

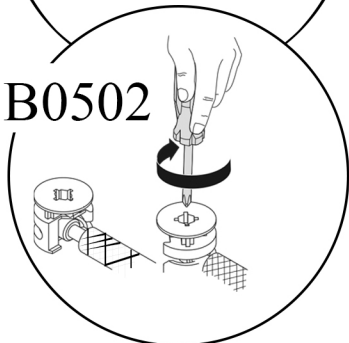


7

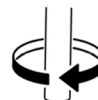


6-8

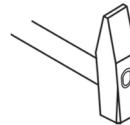
7



B0502



B0504



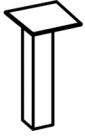
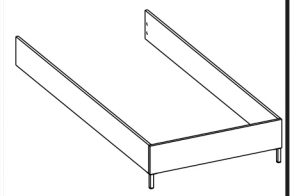
B0501

B0503

7

6/8

# HM4



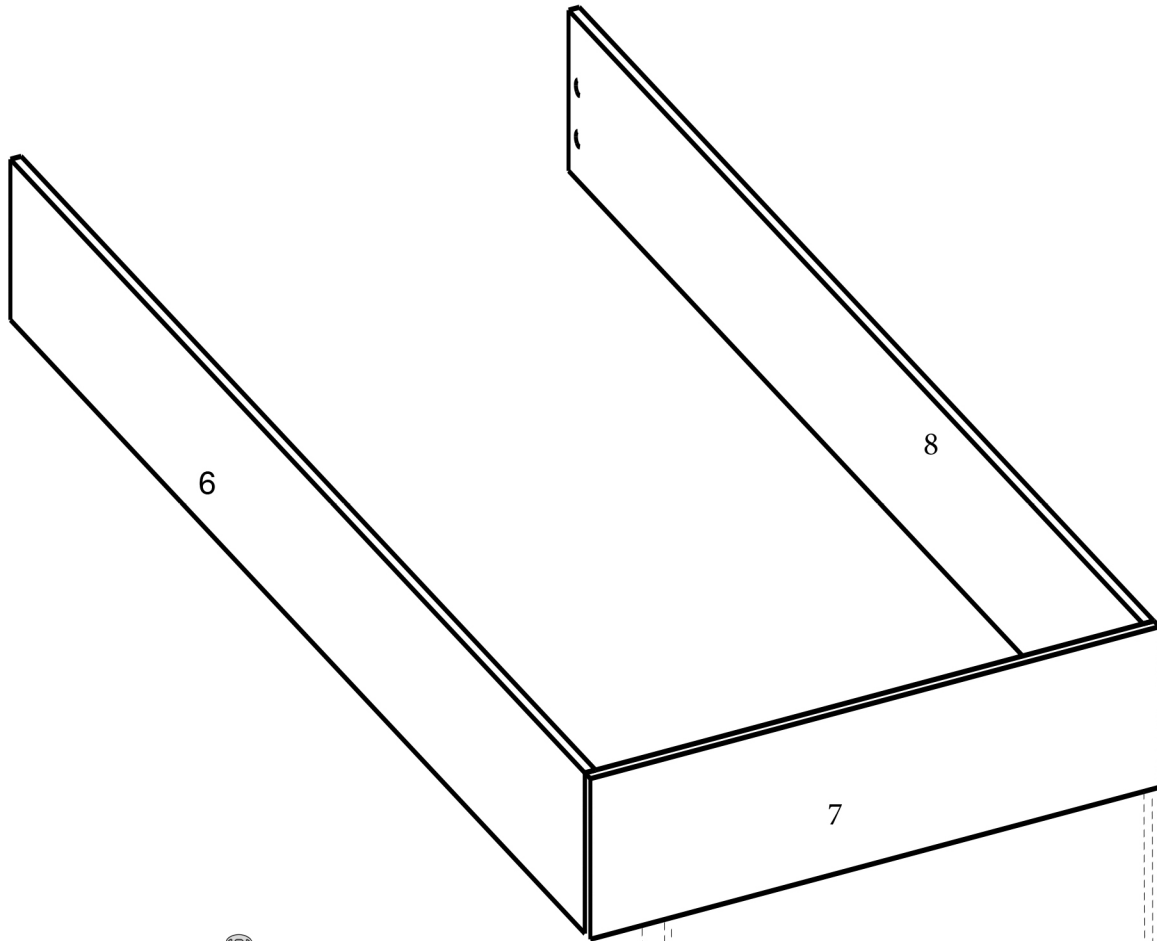
2x

D0154

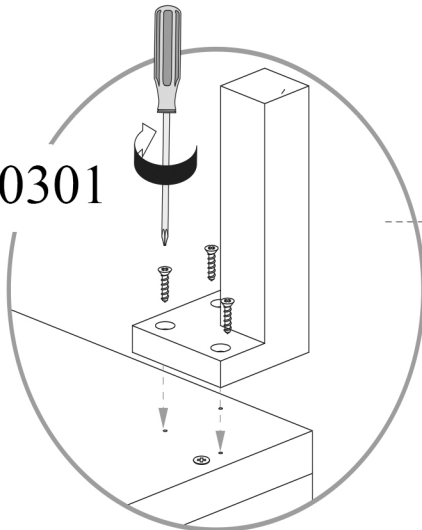


6x

B0301

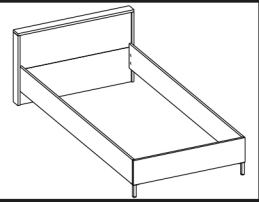


B0301

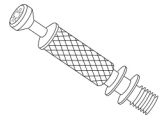


D0154

D0154



4x B0502



4x B0504



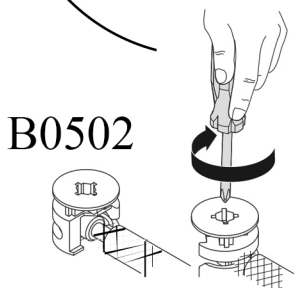
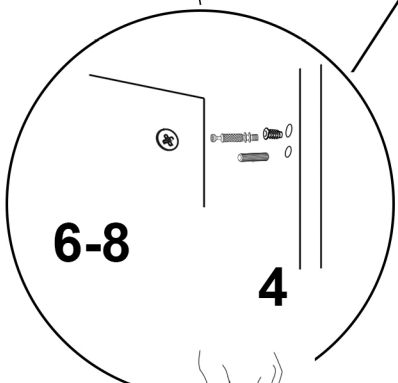
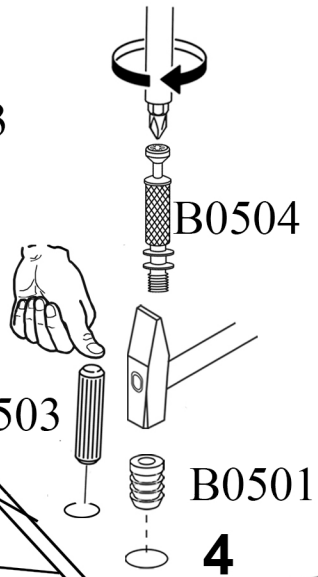
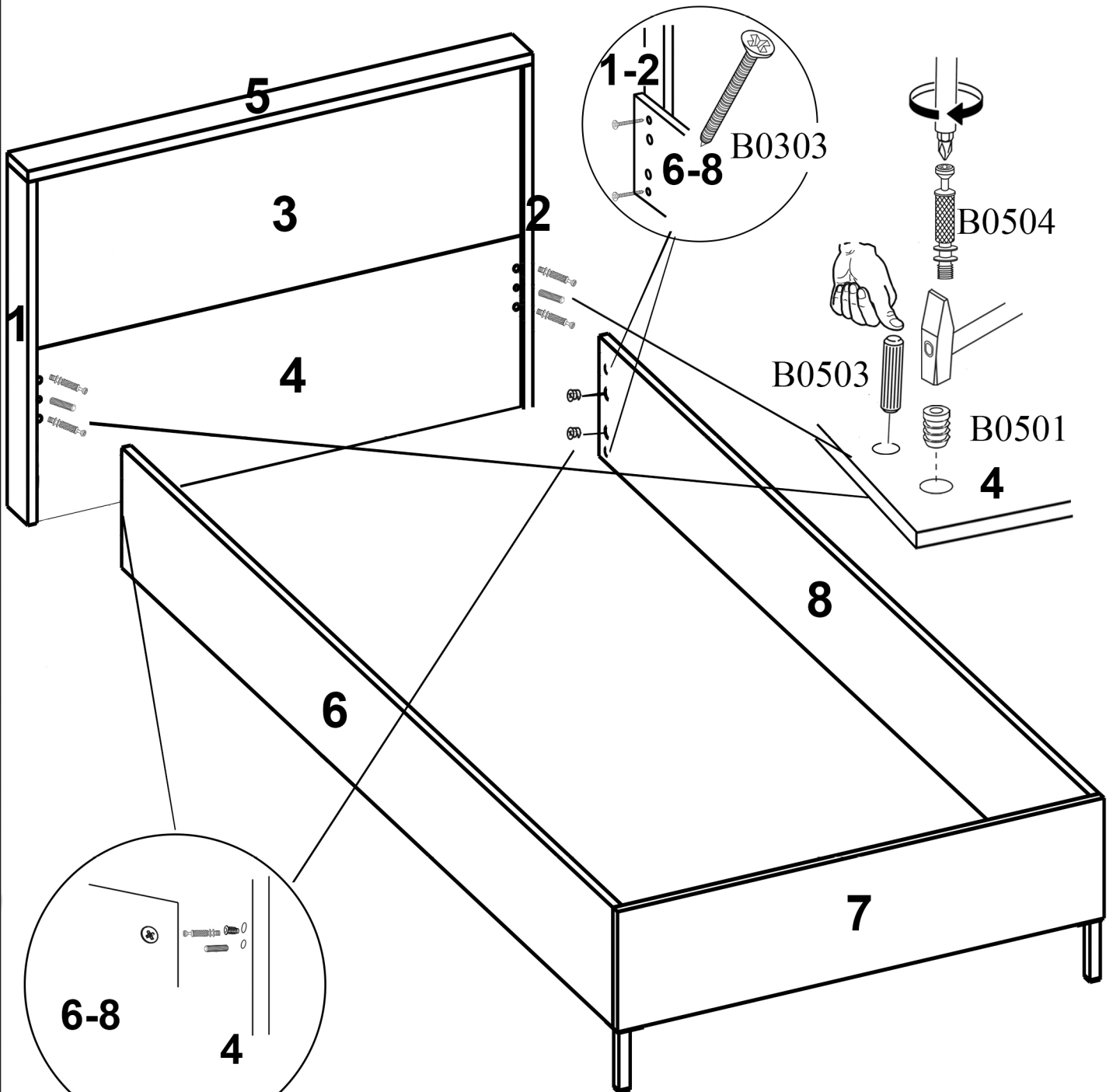
2x B0503



4x B0501

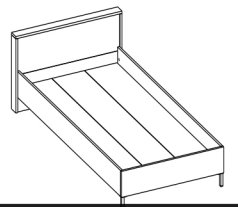


4x B0303



8/8

# HM4



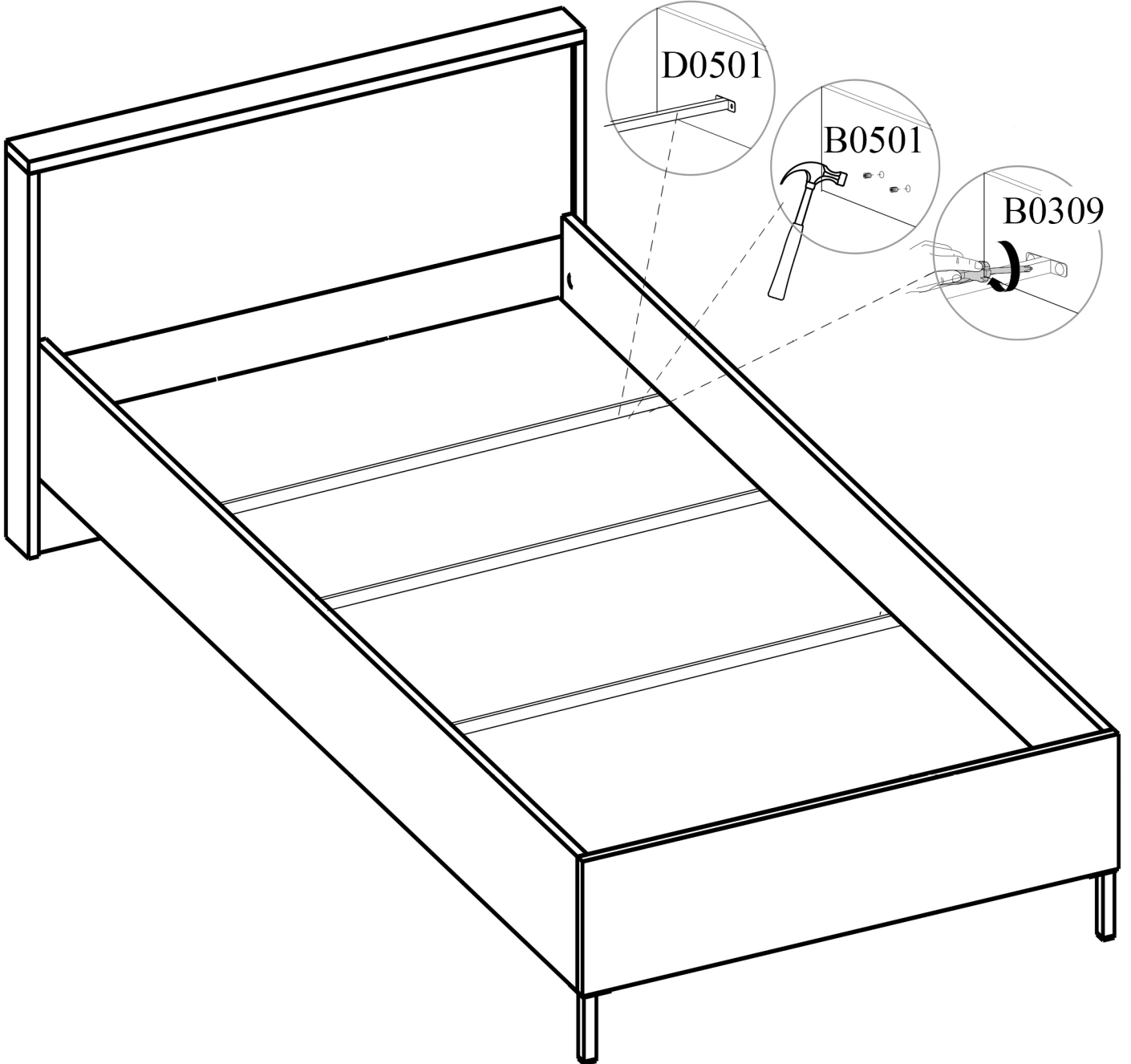
12x B0501



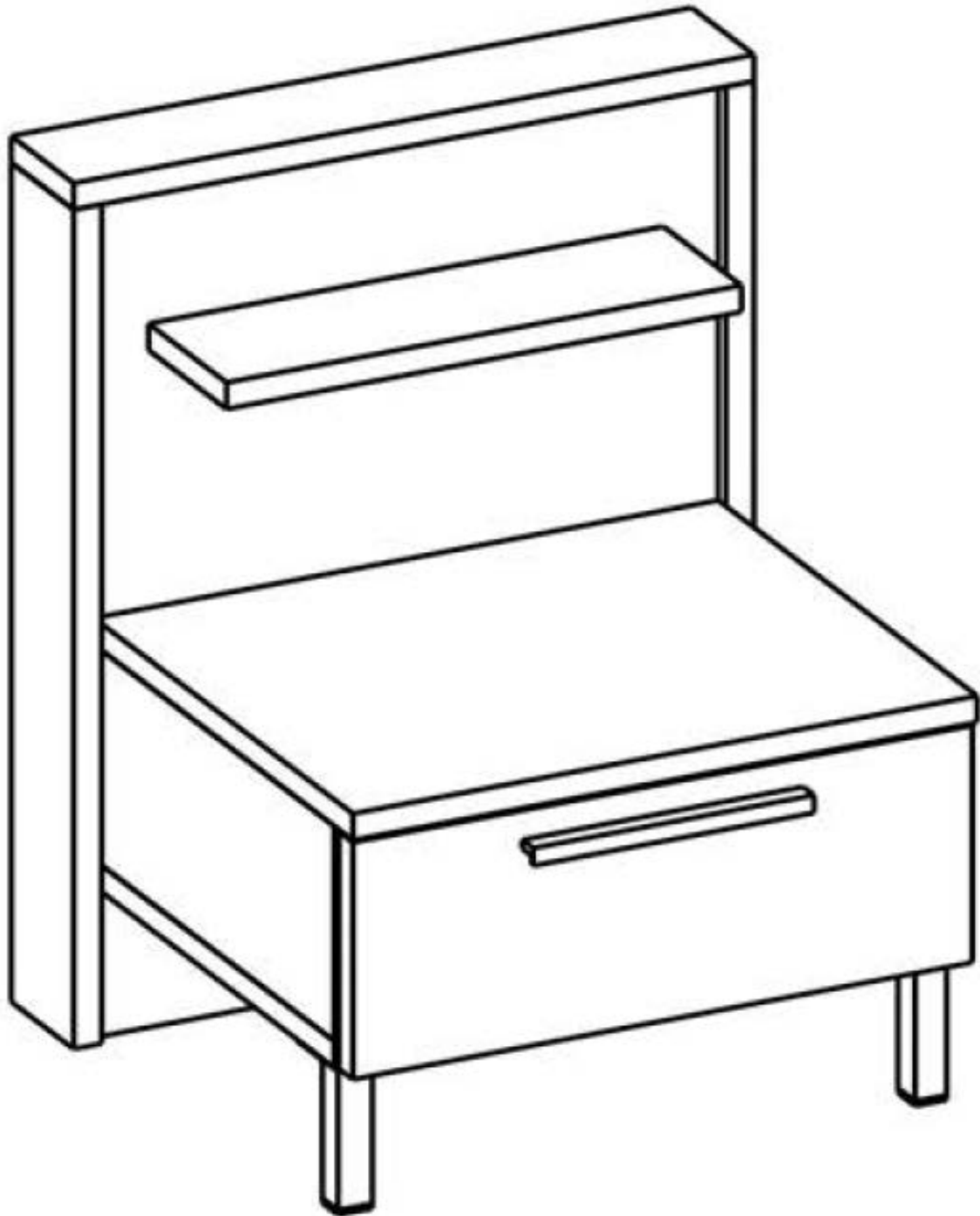
12x B0309

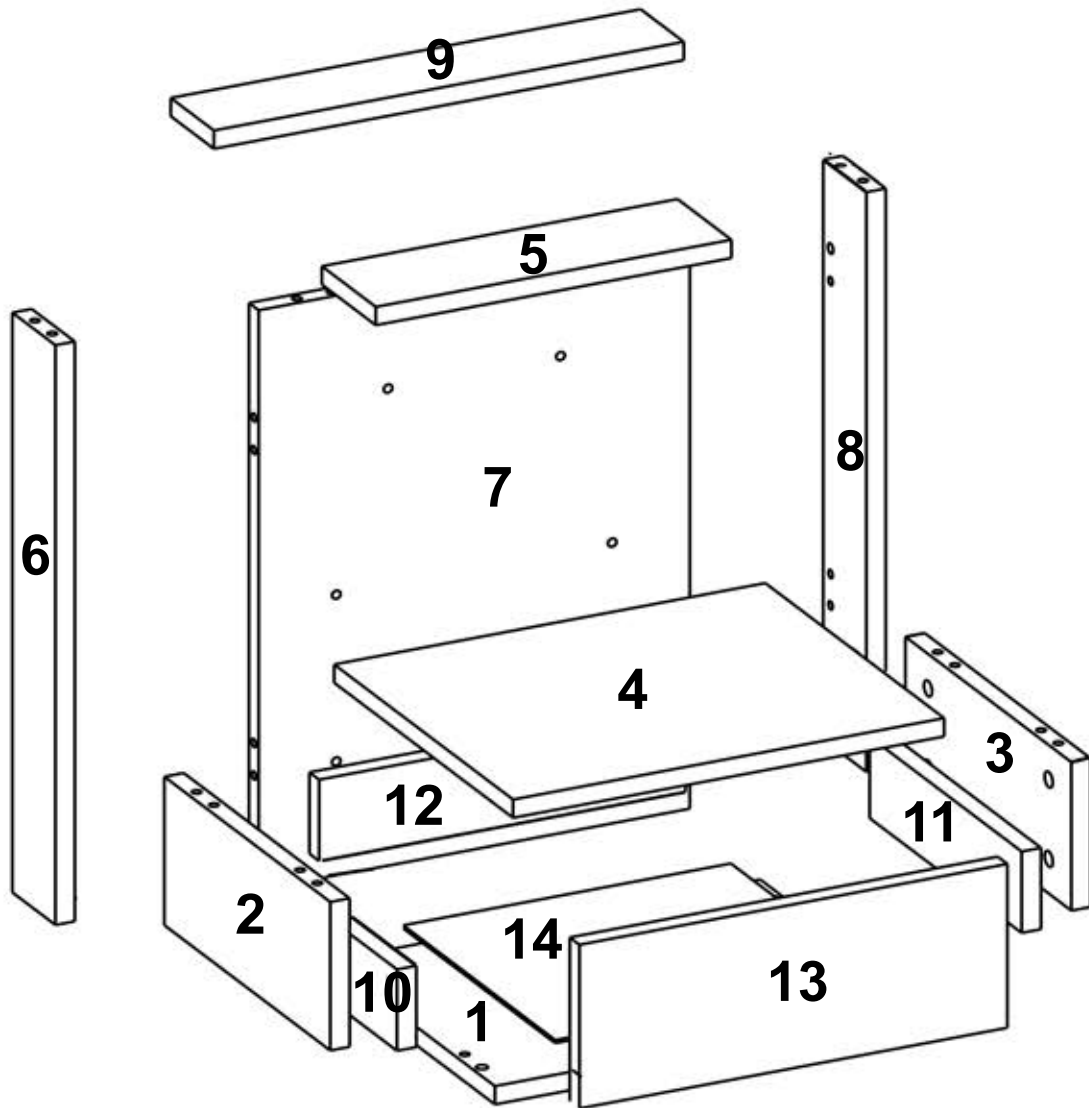




3x D0501















# HM5



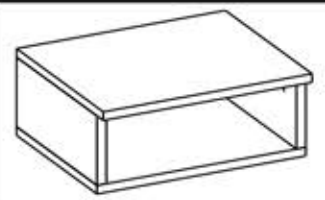






	
2x B1702	14x B0502

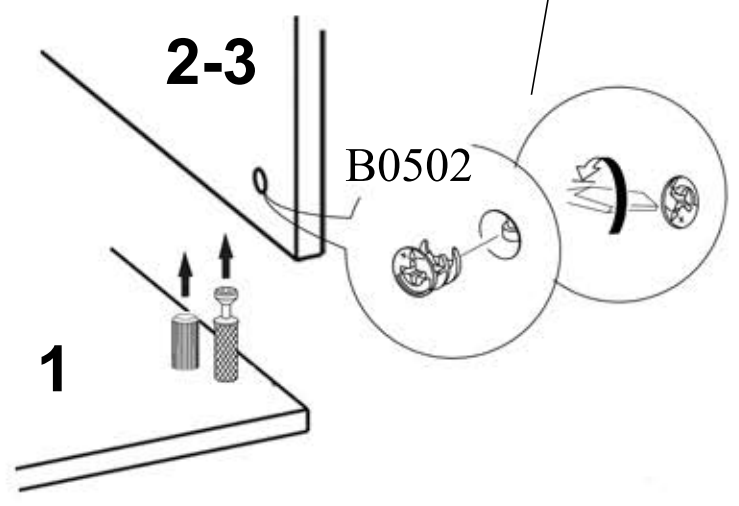
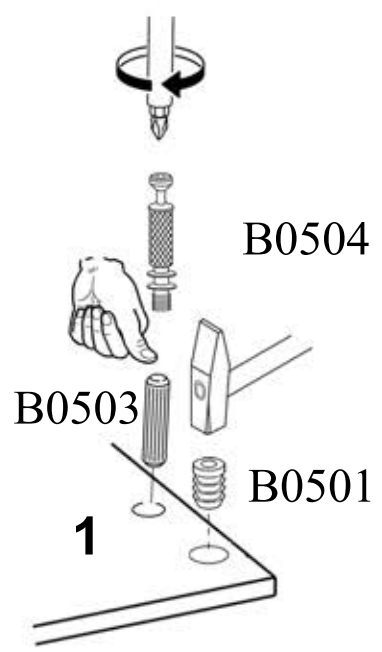
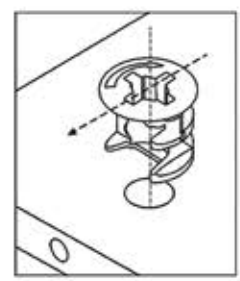
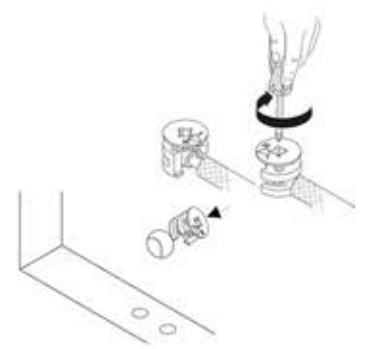
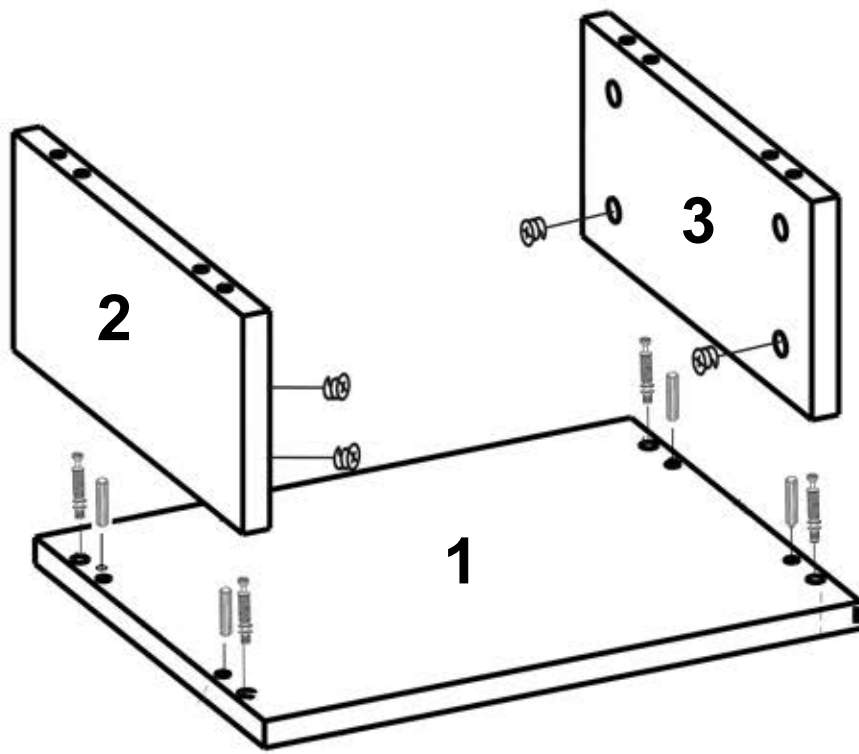
					
2x B0905	14x B0504	18x B0503	10x B0304	2x D0154	1x B0201

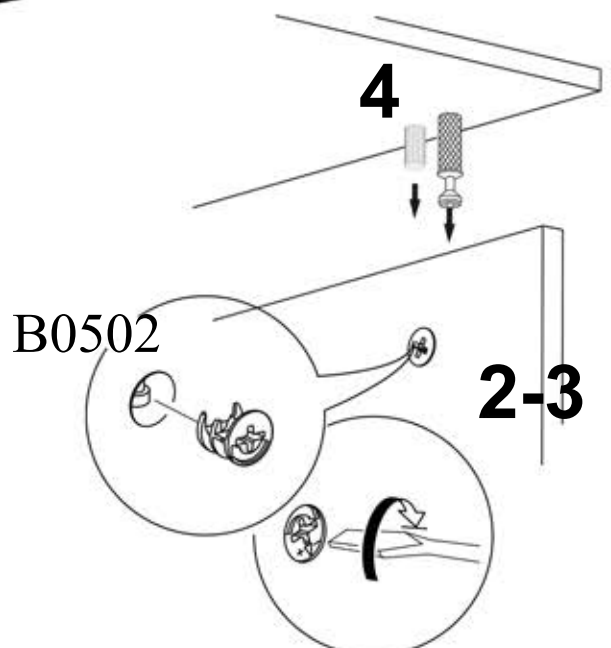
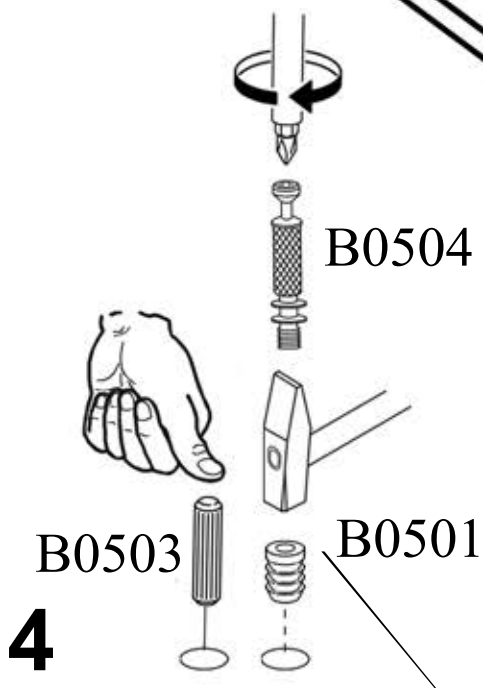
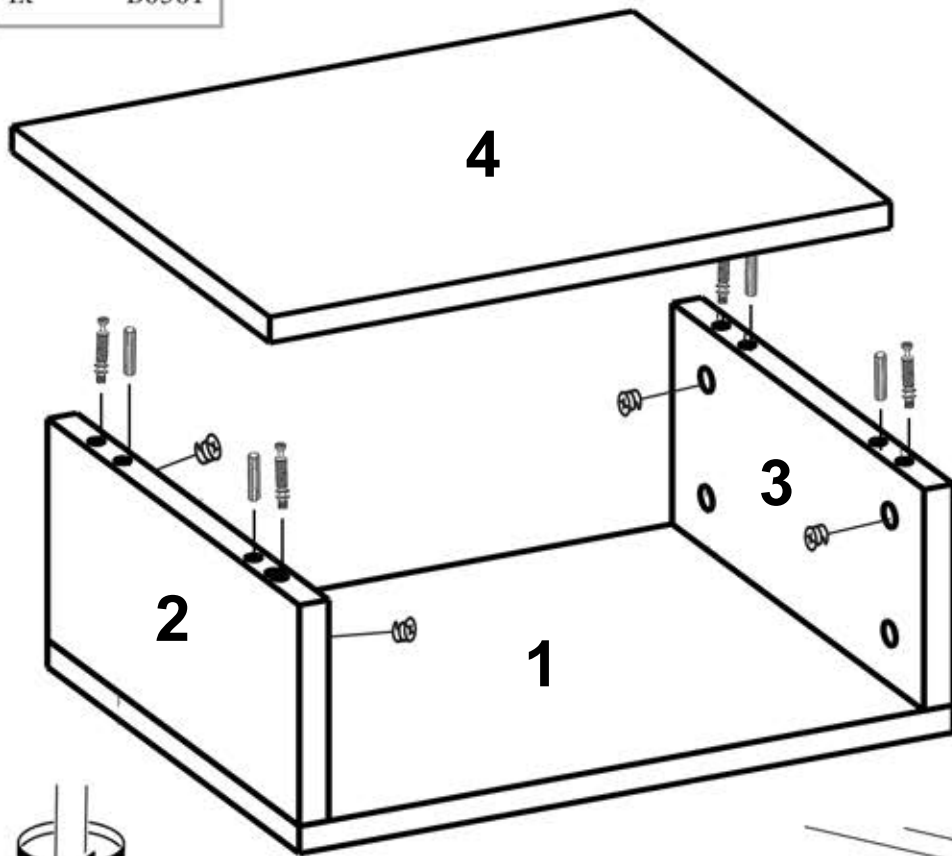
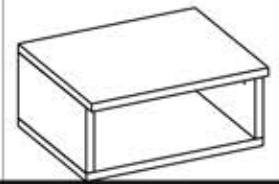
					
2x B0328	14x B0501	2x B0307	10x B0301	4x B0511	4x B0510

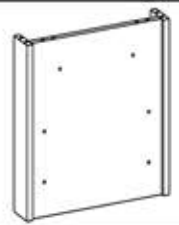








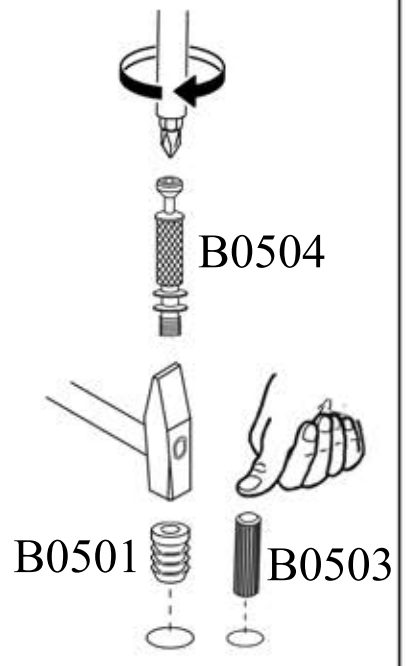
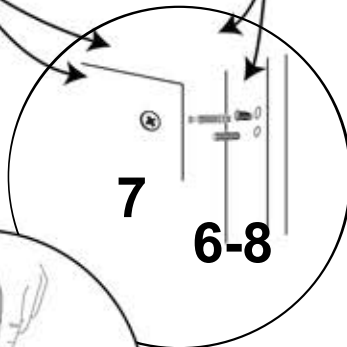
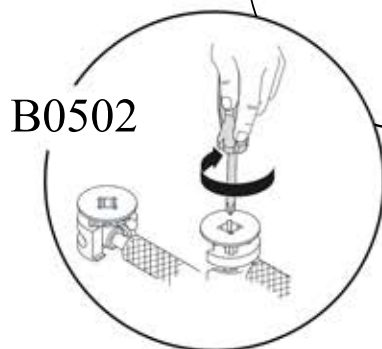
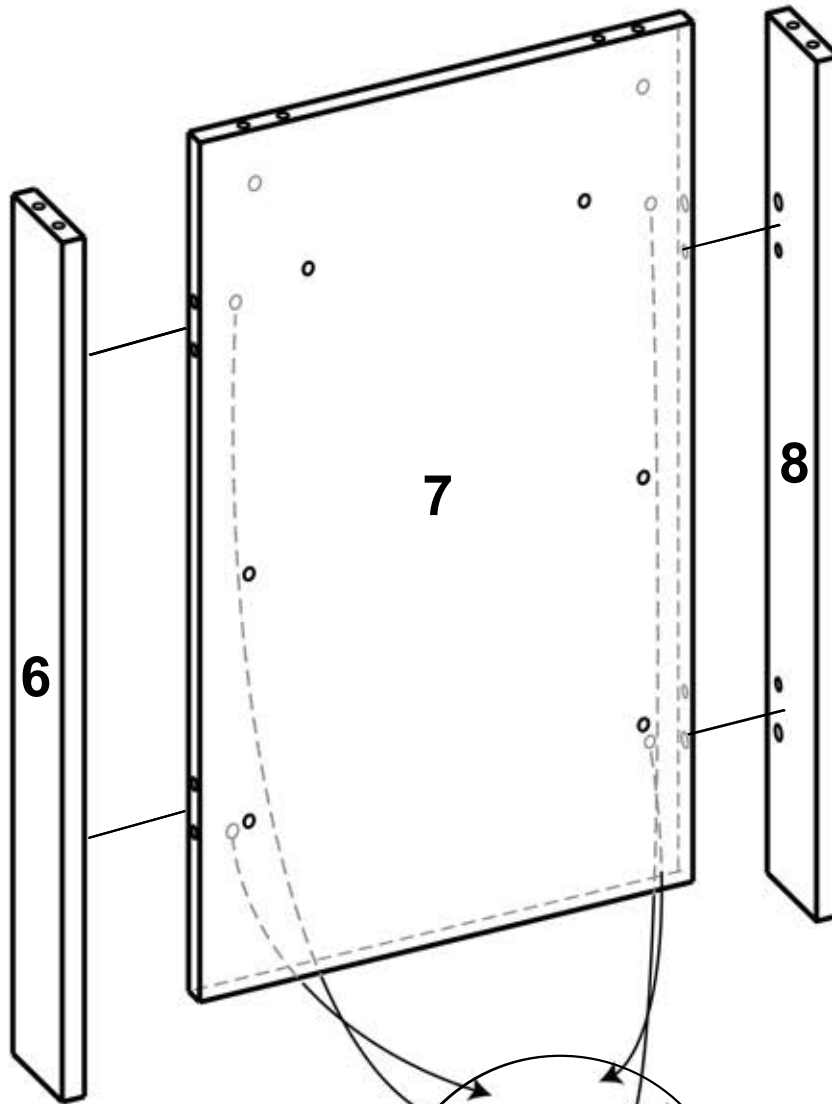
 4x B0502	 4x B0504	 4x B0503	 4x B0501
---	---	---	---





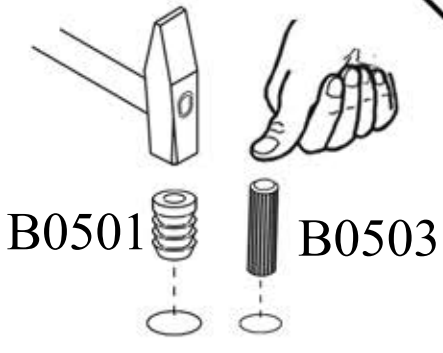
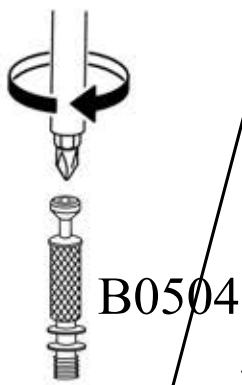
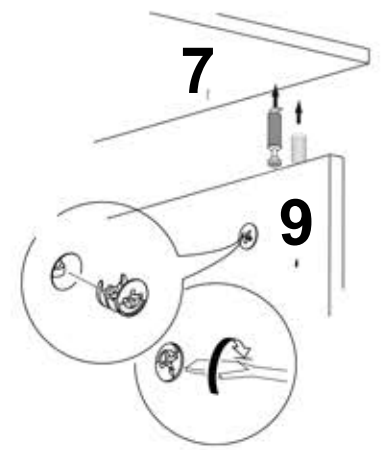
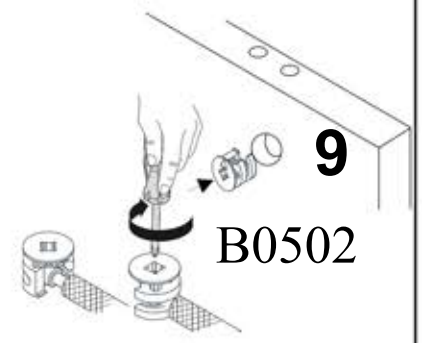
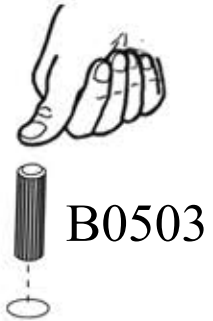
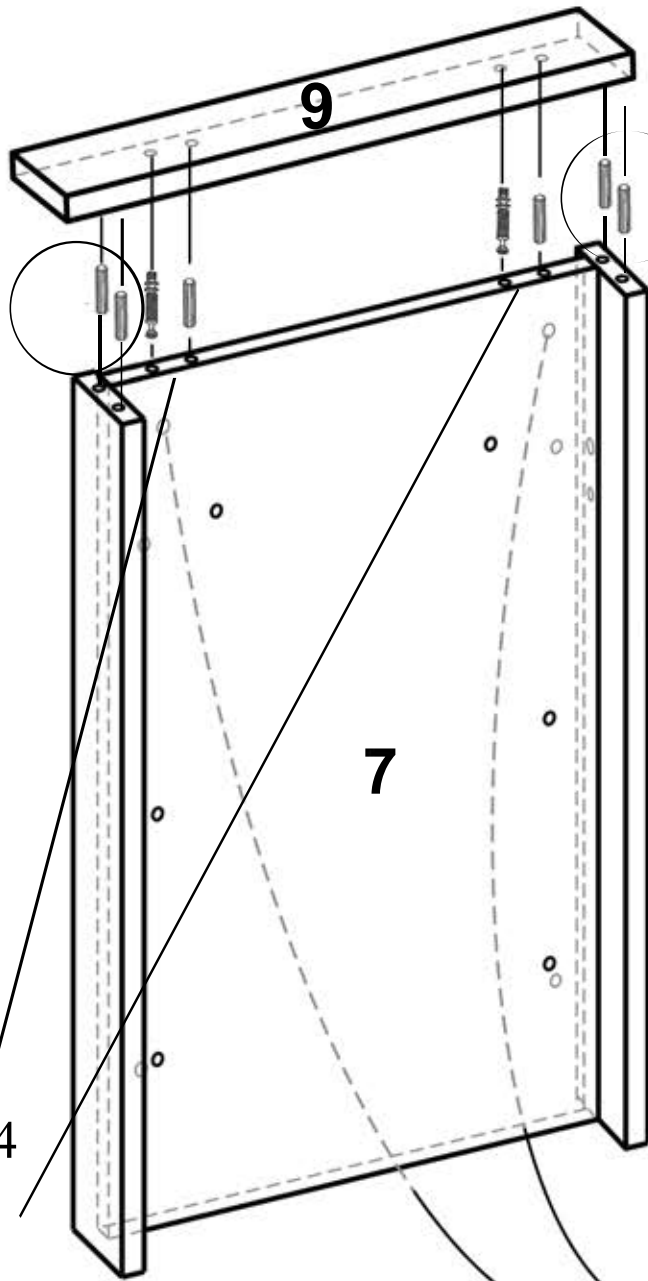


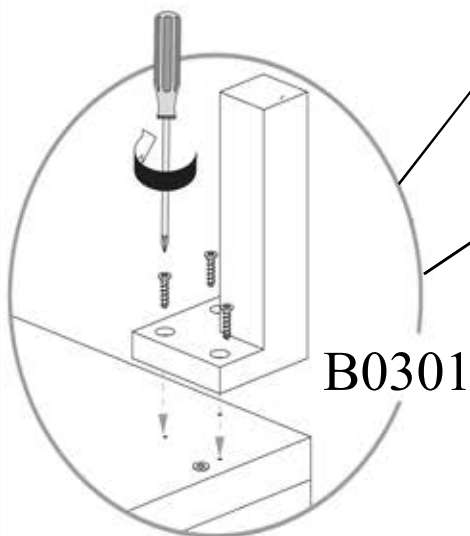
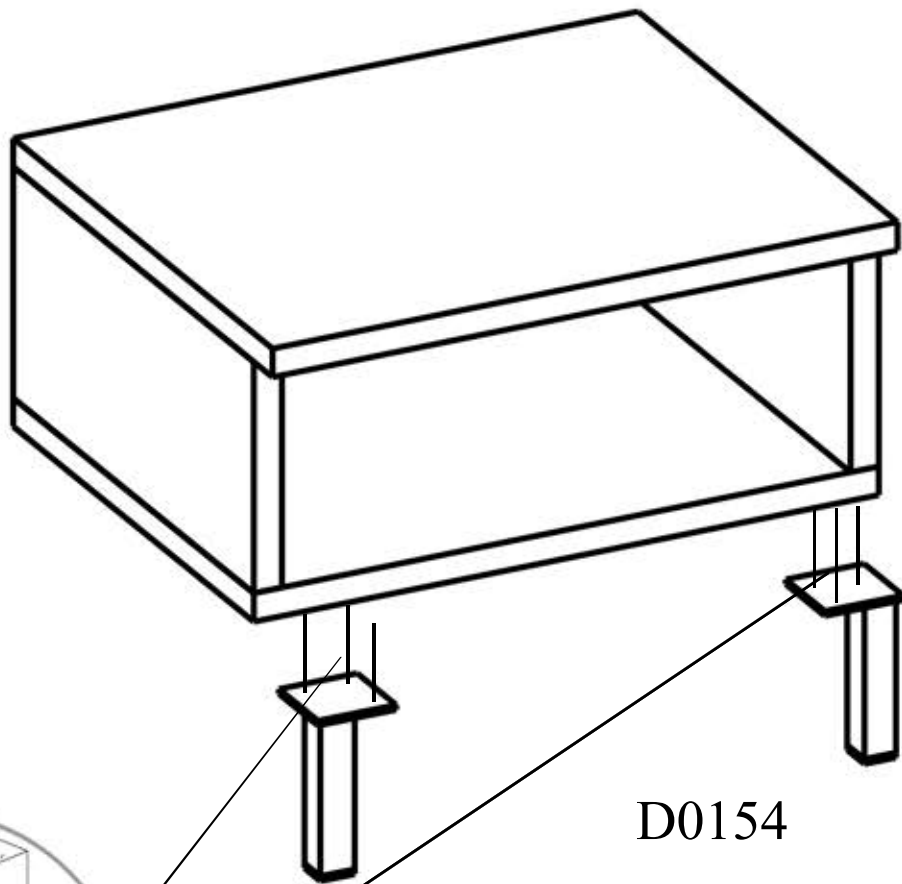
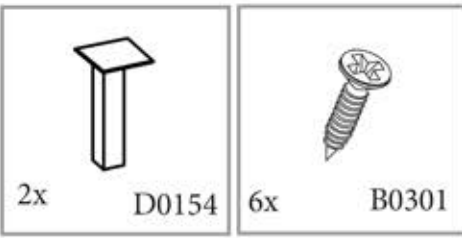
- |   |   |   |   |
|---|---|---|---|
|  |  |  |  |
| 4x B0502  | 4x B0504  | 4x B0503  | 4x B0501  |





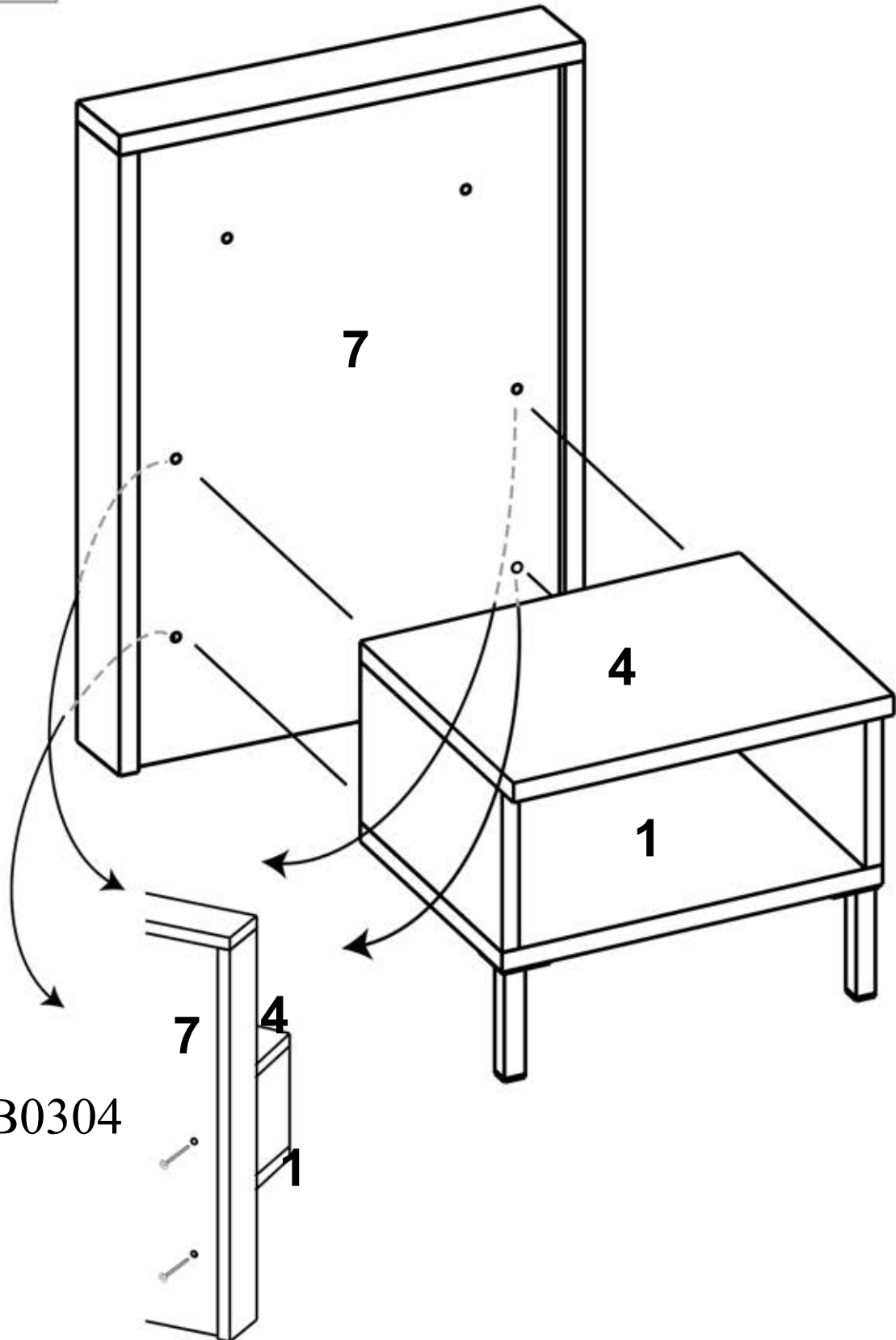
- 2x B0502
- 2x B0504
- 6x B0503
- 2x B0501

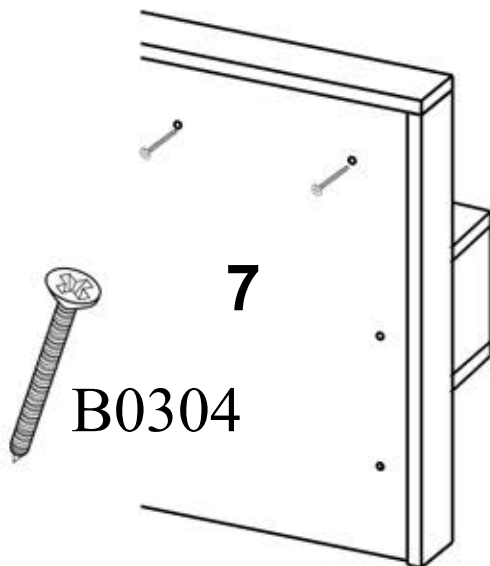
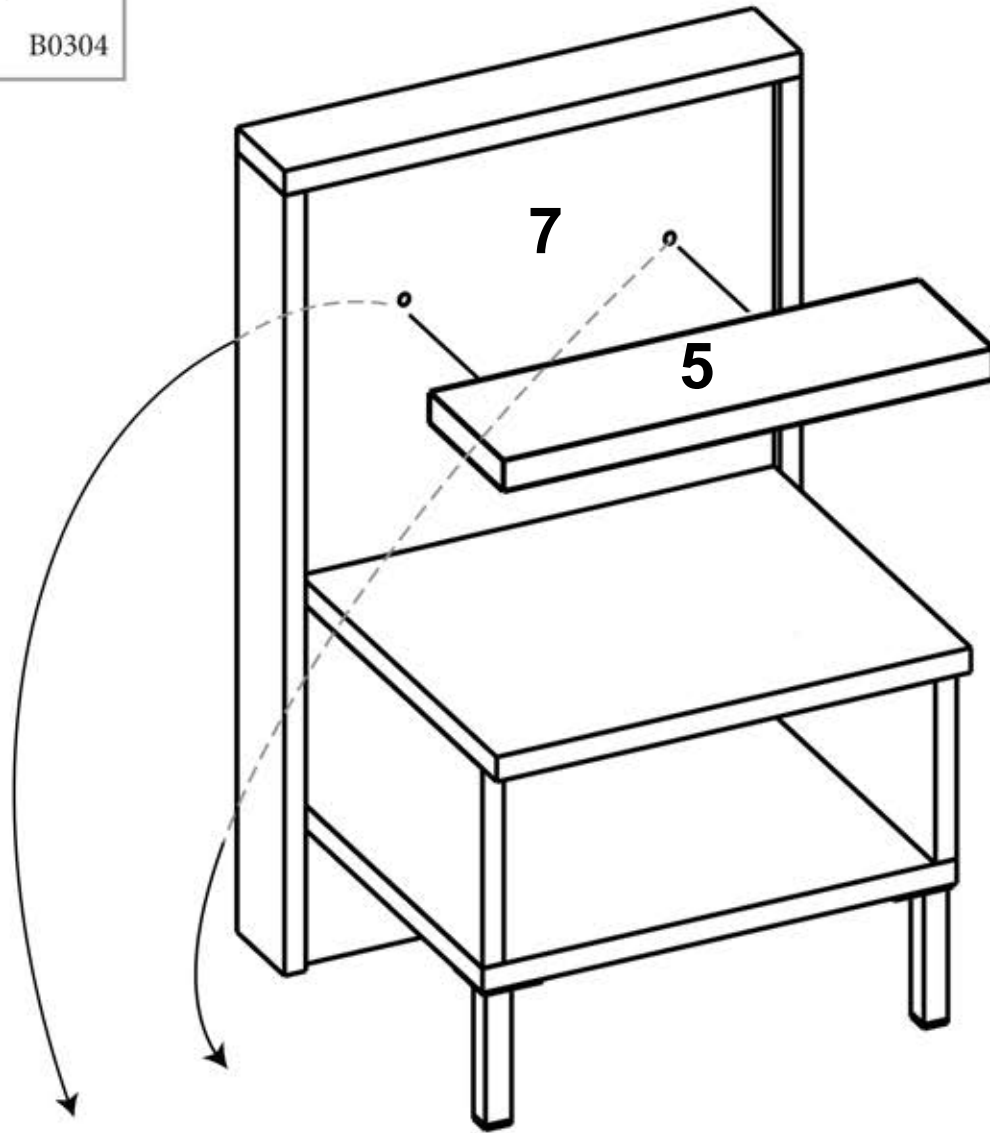


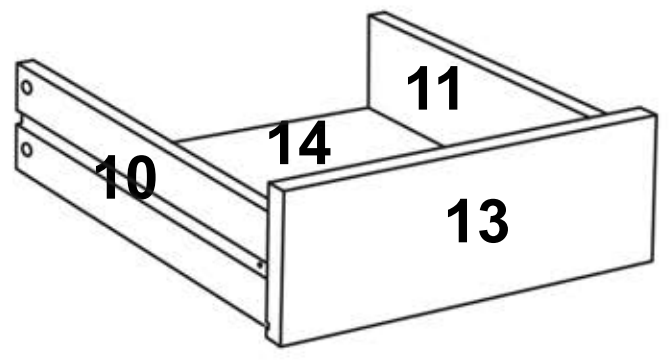
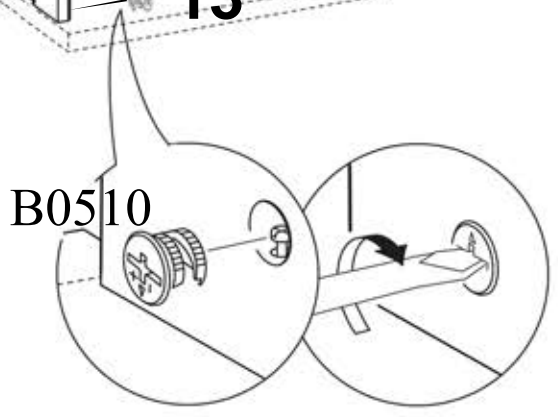
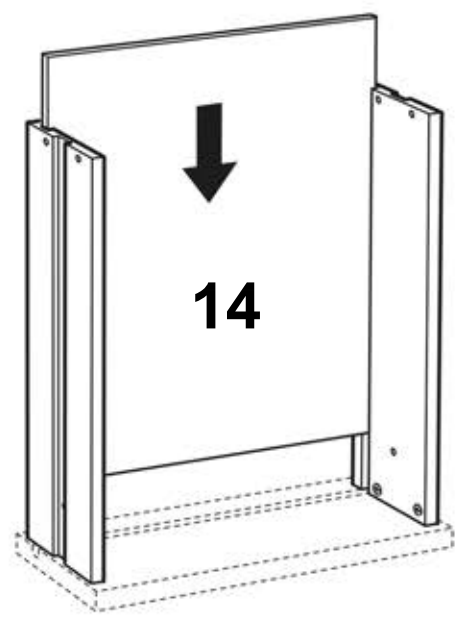
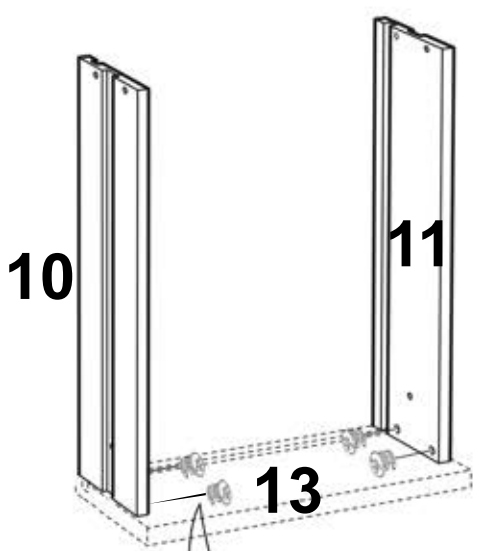
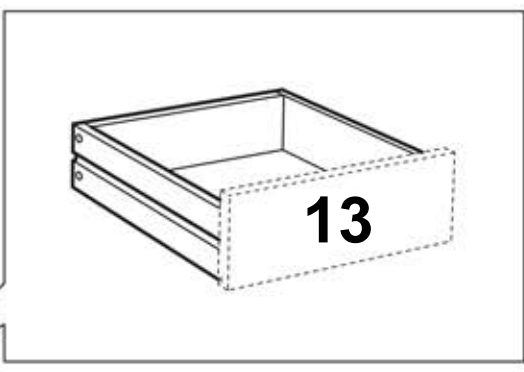
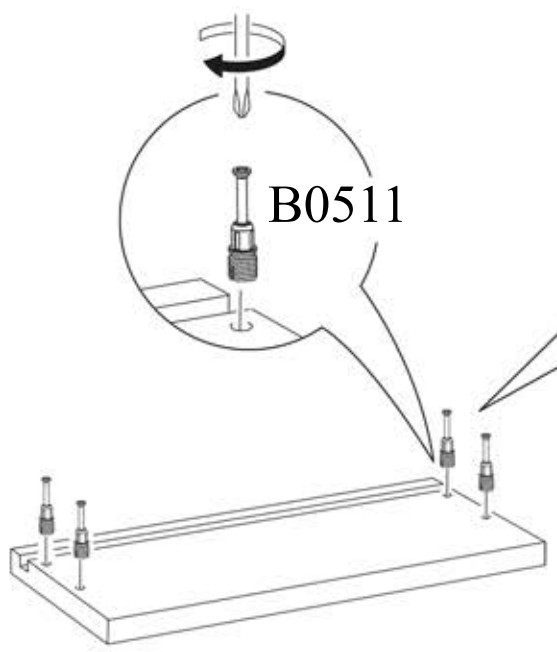
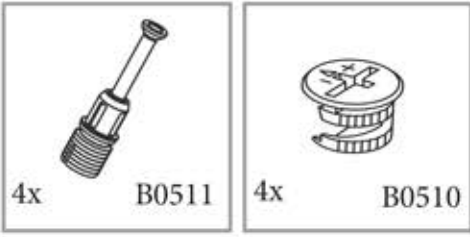


D0154

B0301








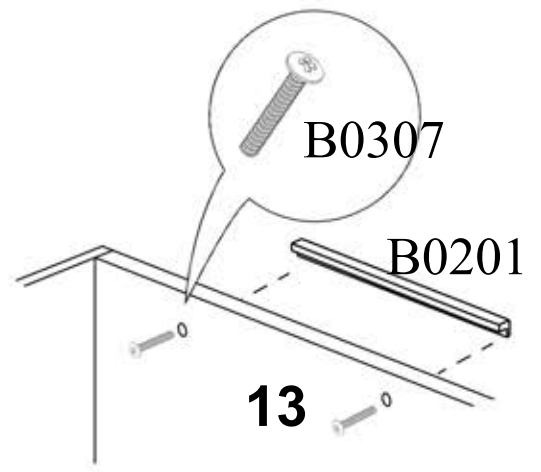
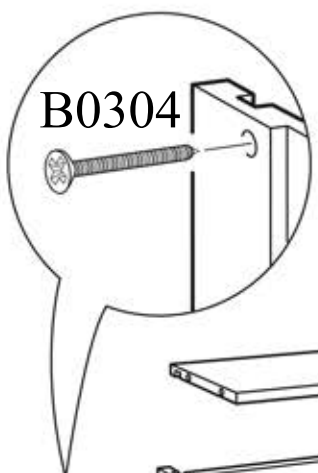




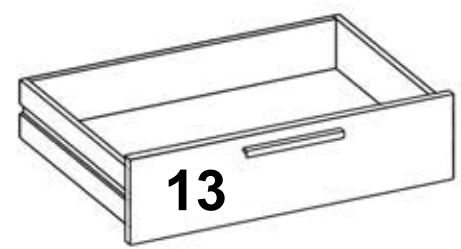
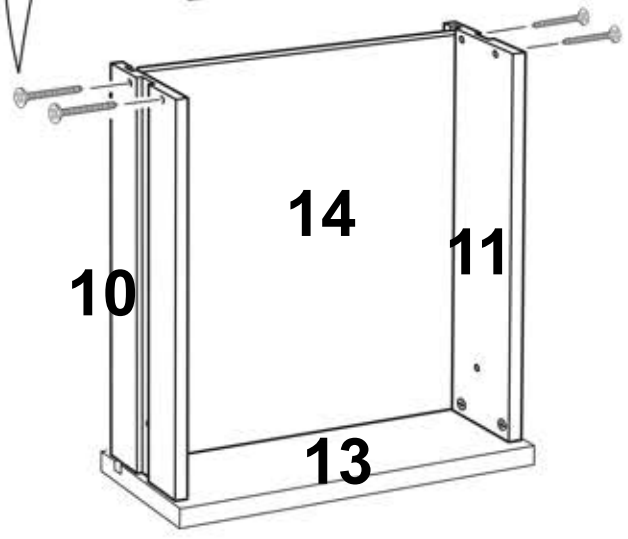




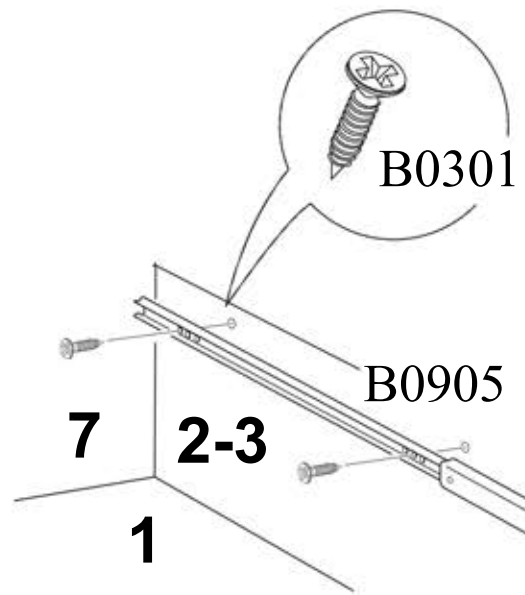
 2x B0905	 1x B0201	 4x B0304	 4x B0301	 2x B0307
--	---	---	---	---



13



13





2x B0328

