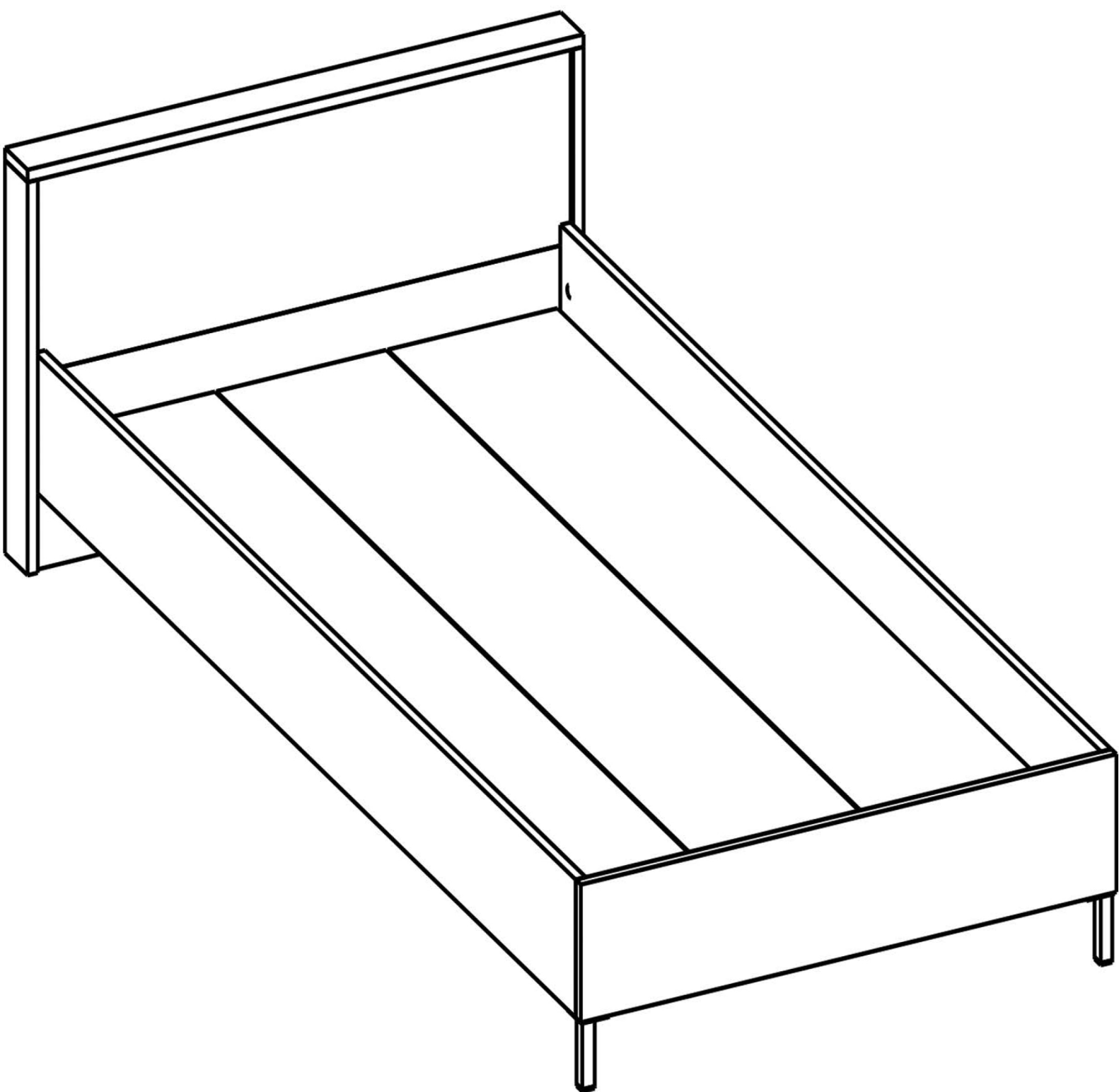
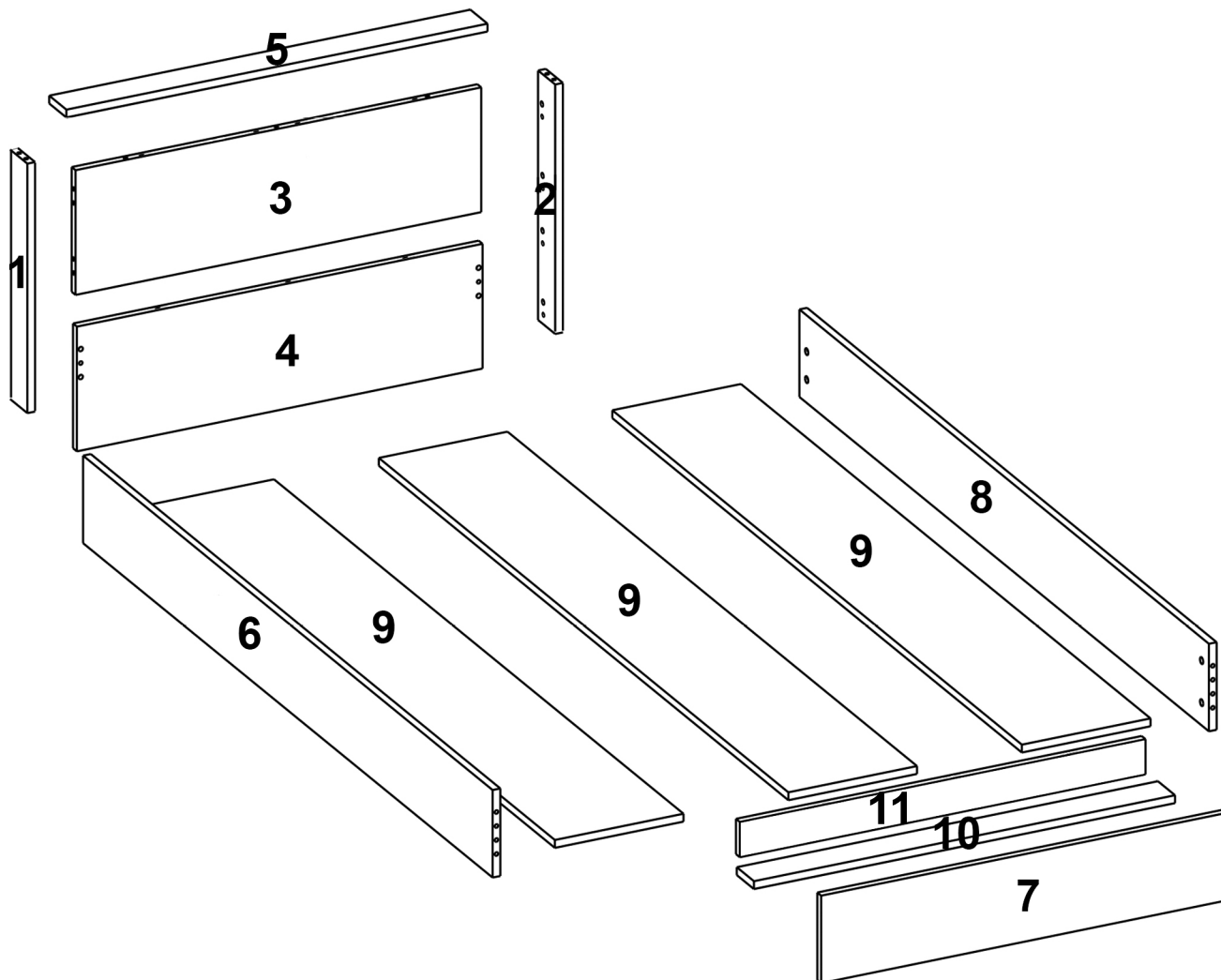

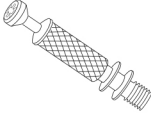
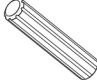











HM4

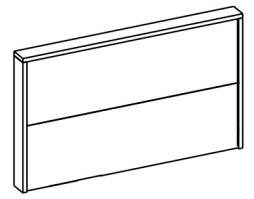




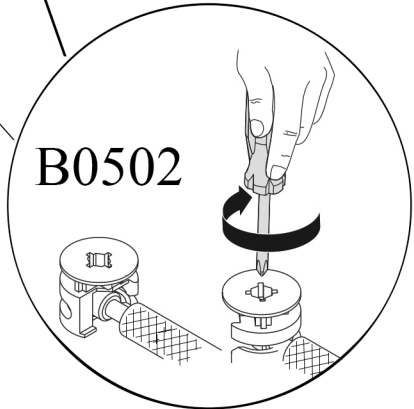
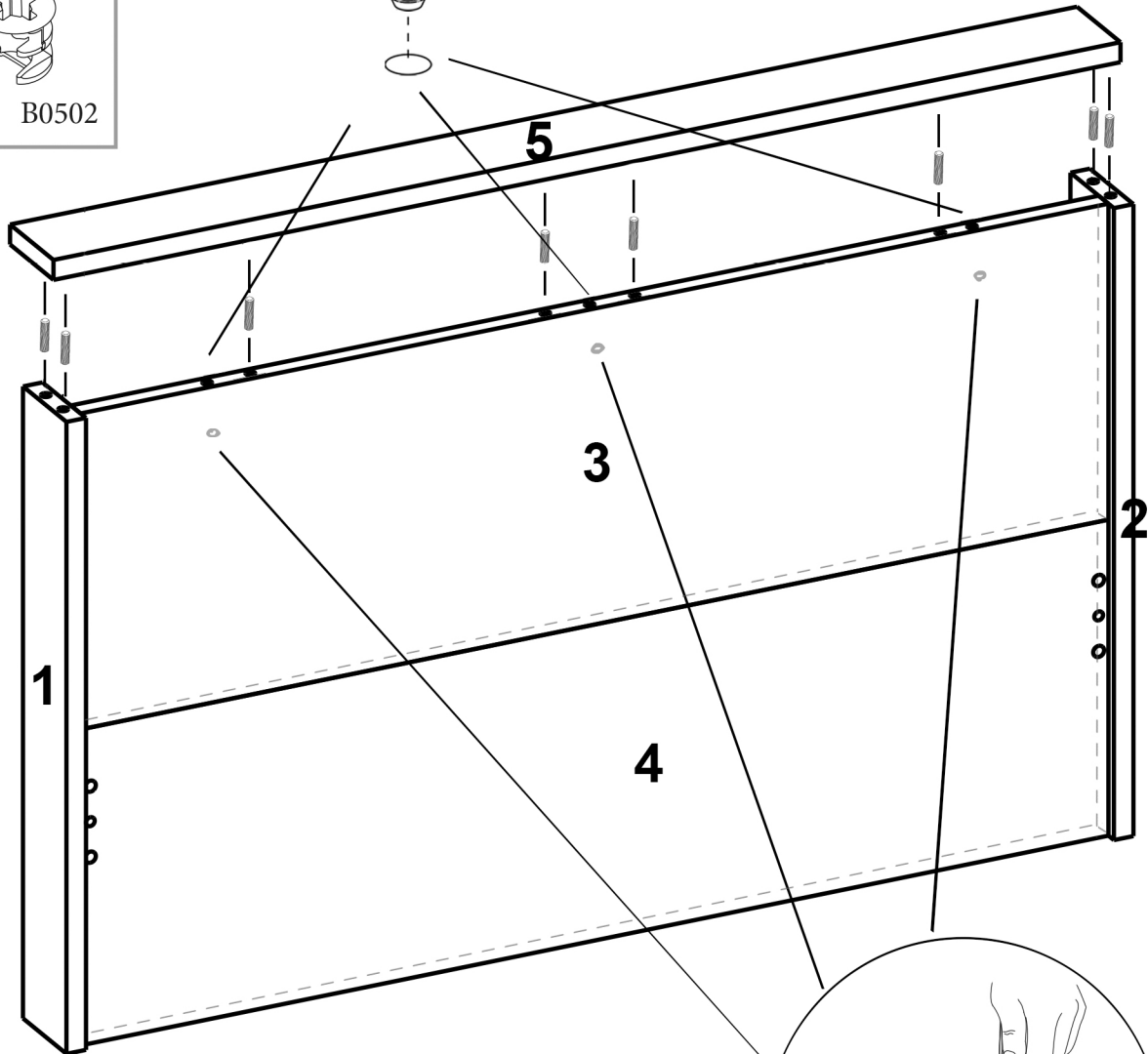
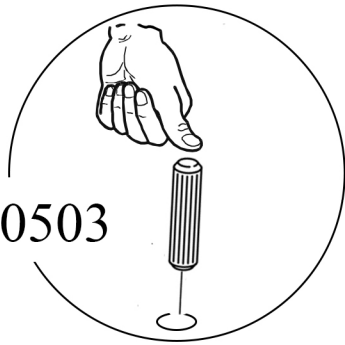
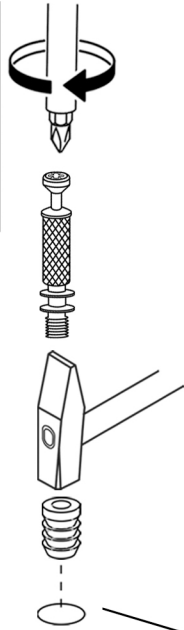
 28x B0502	 23x B0504	 26x B0503	 2x D0154	 12x B0309	 3x D0501
 6x B0301	 35x B0501	 2x B1702	 3x B0505	 4x B0303	 3x B0304

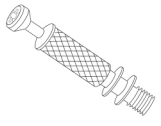
3/8

HM4



- 8x B0503
- 3x B0504
- 3x B0501
- 3x B0502





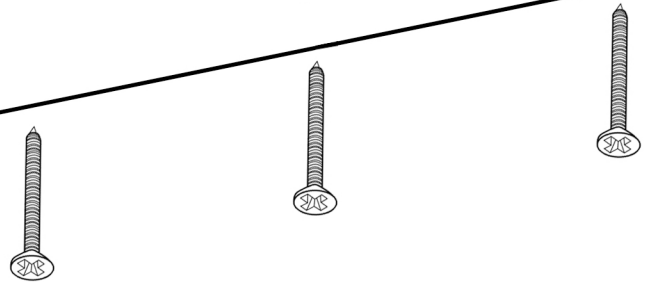
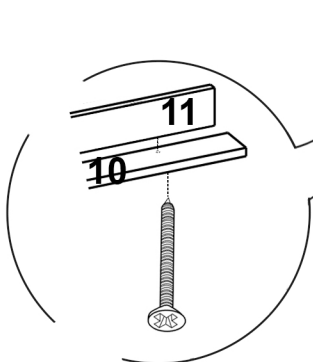
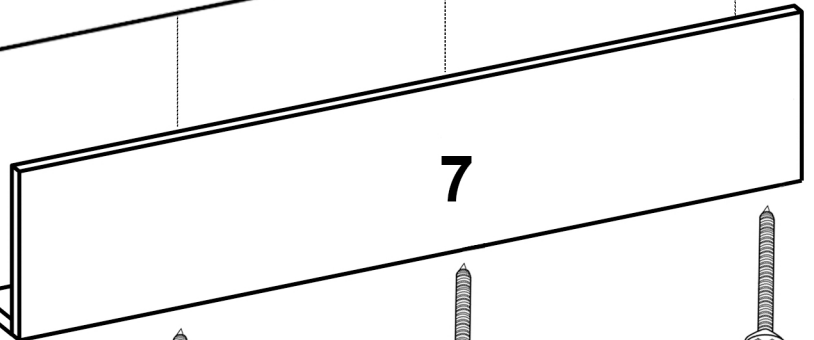
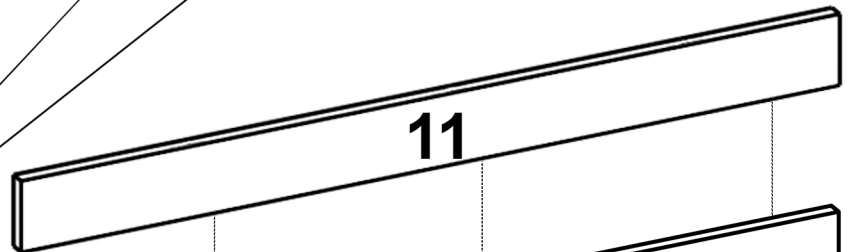
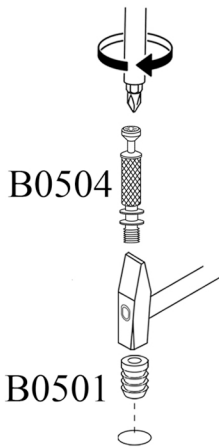
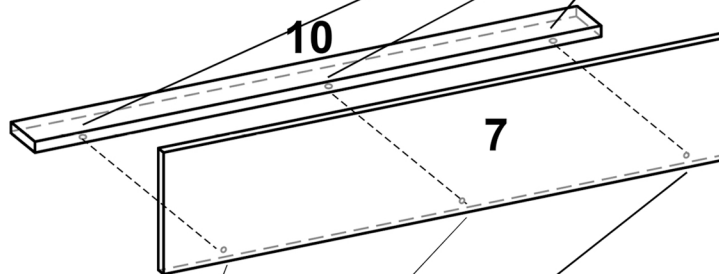
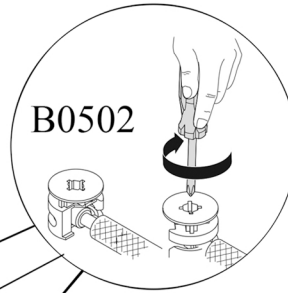
3x B0504



3x B0502

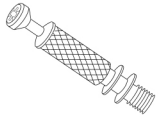
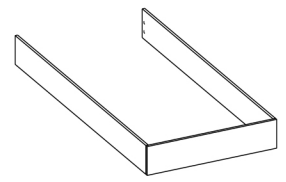


3x B0501

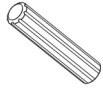


5/8

HM4



4x B0504



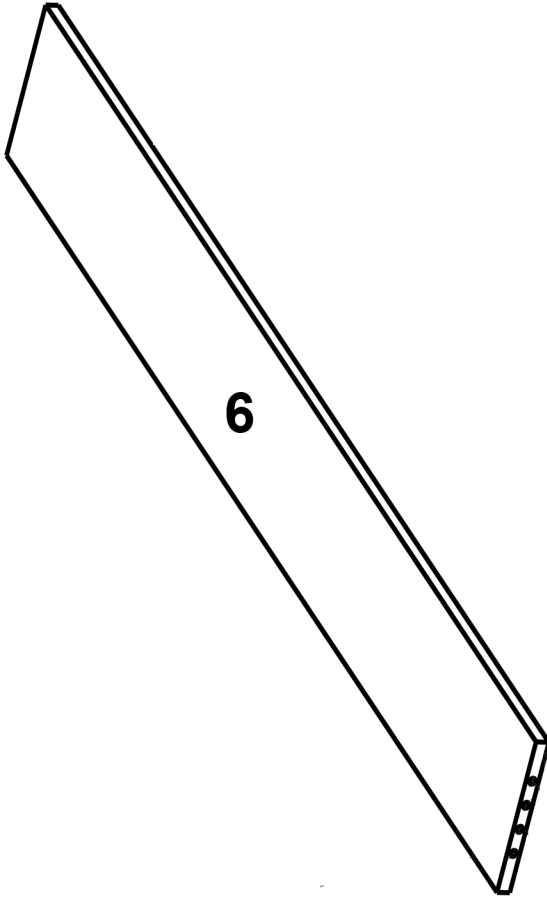
4x B0503



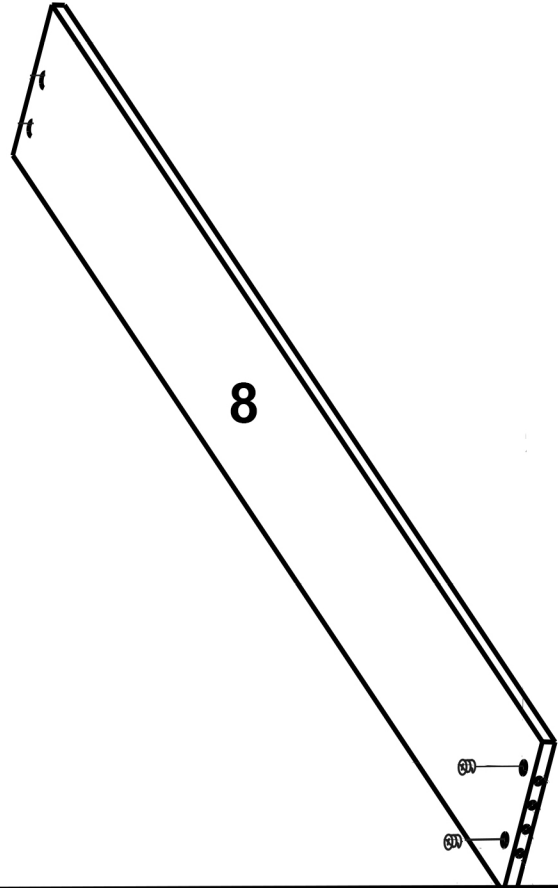
4x B0501



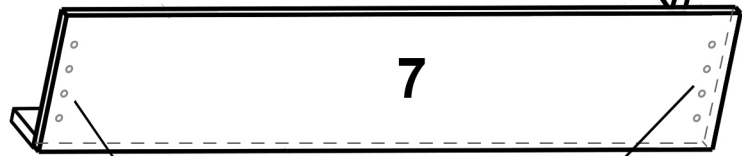
4x B0502



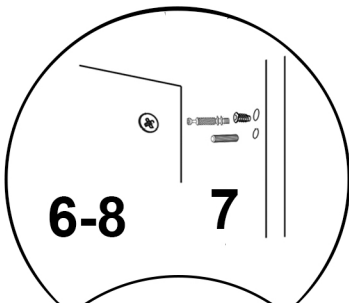
6



8

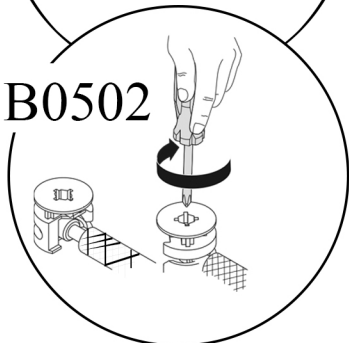


7



6-8

7



B0502



B0504



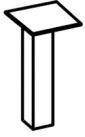
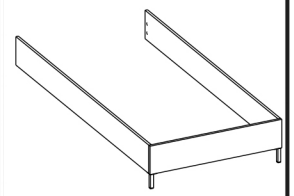
B0501

B0503

7

6/8

HM4



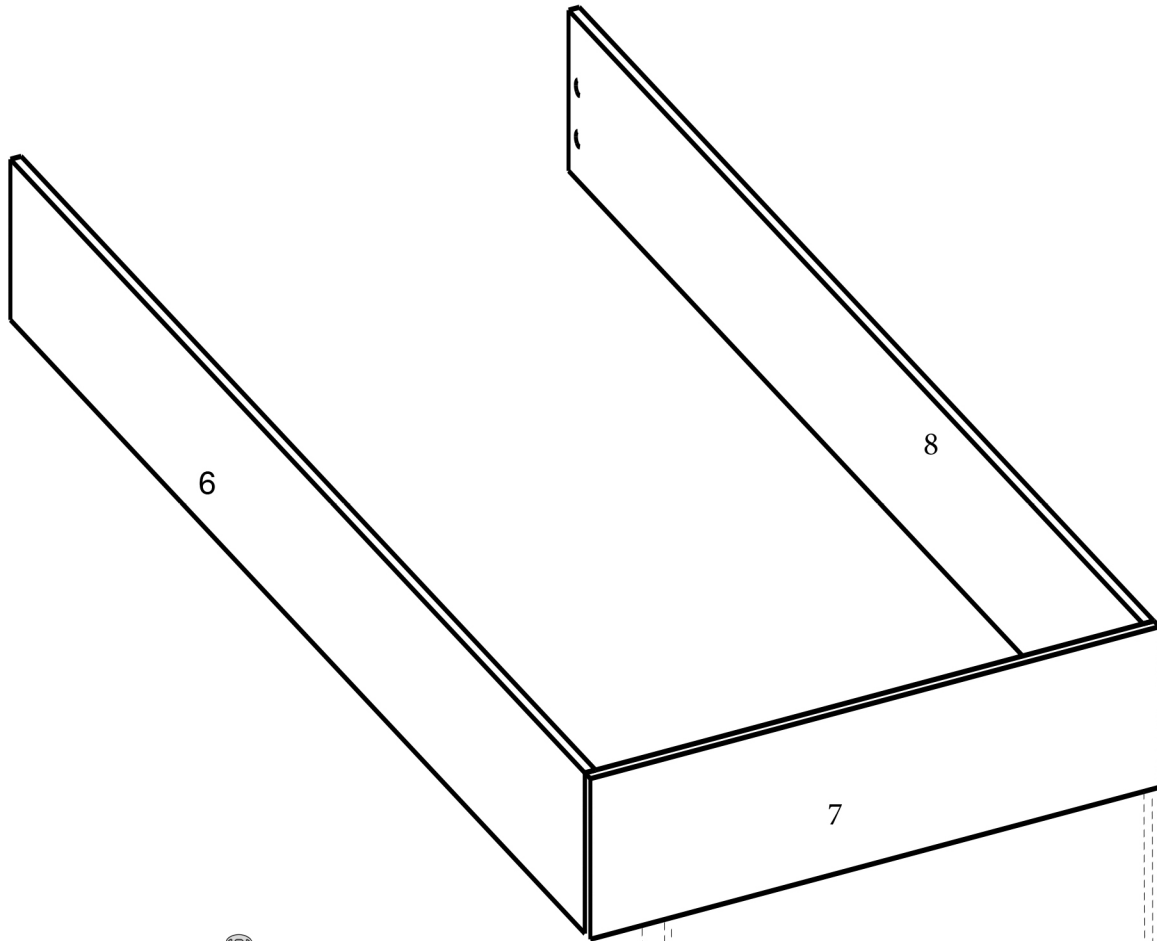
2x

D0154

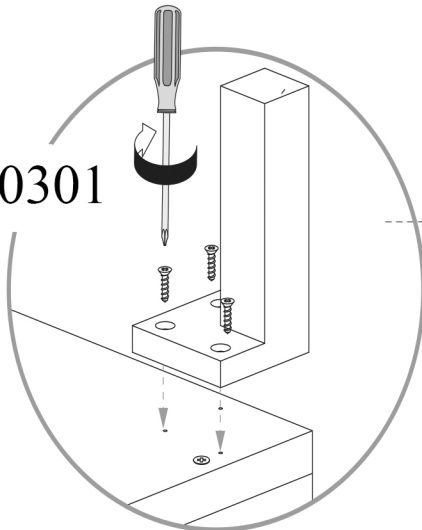


6x

B0301

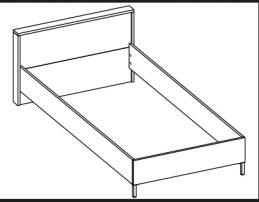


B0301

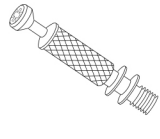


D0154

D0154



4x B0502



4x B0504



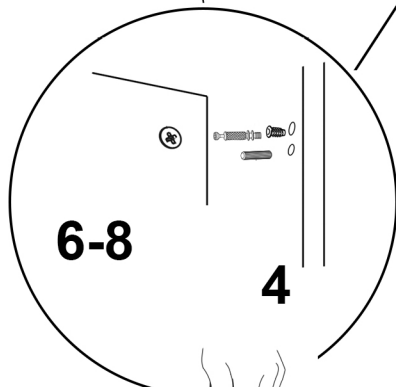
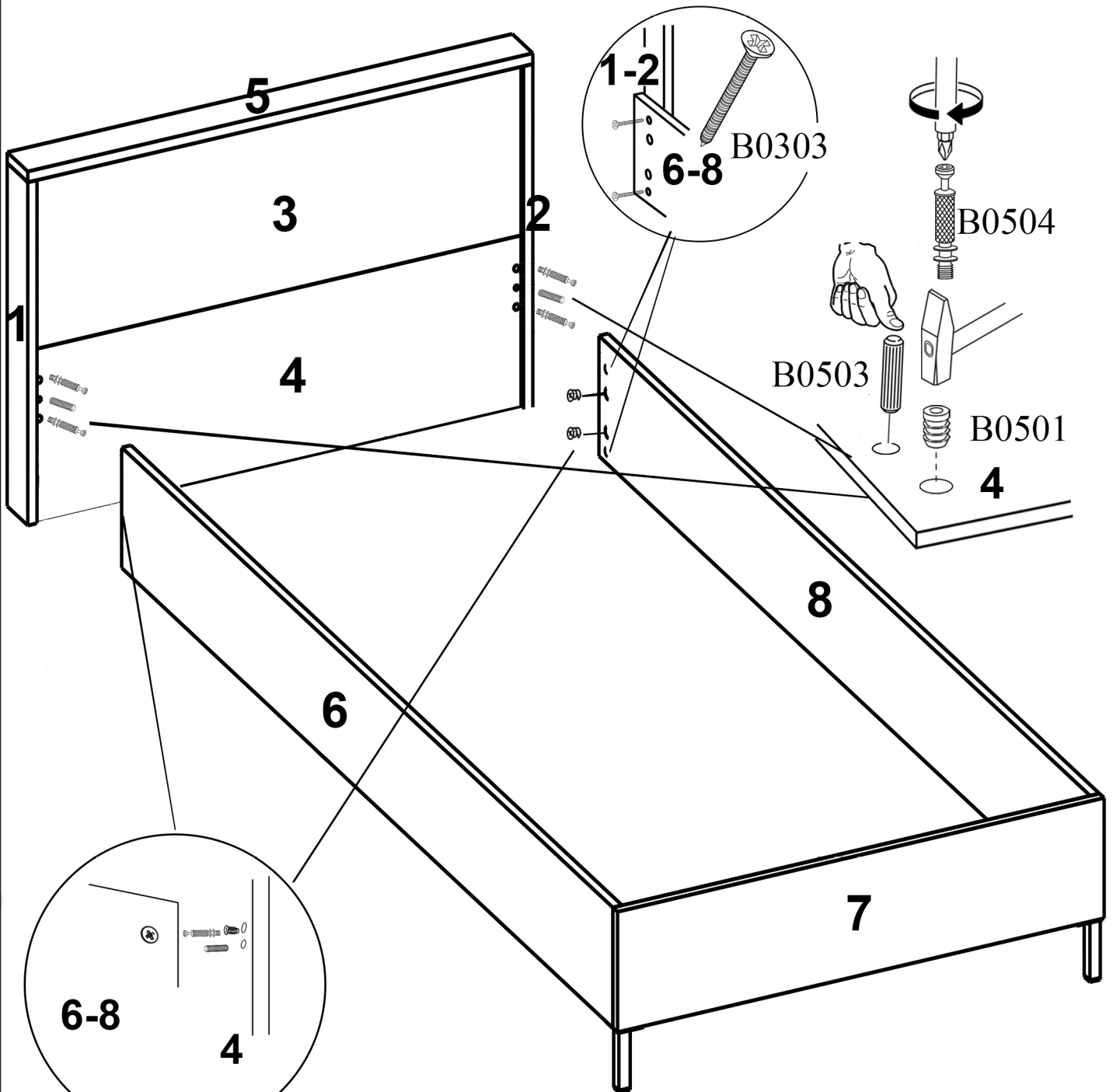
2x B0503



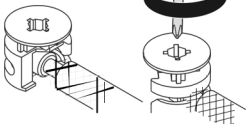
4x B0501



4x B0303

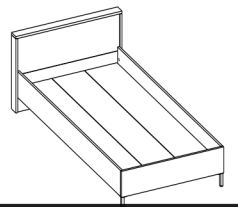


B0502



8/8

HM4



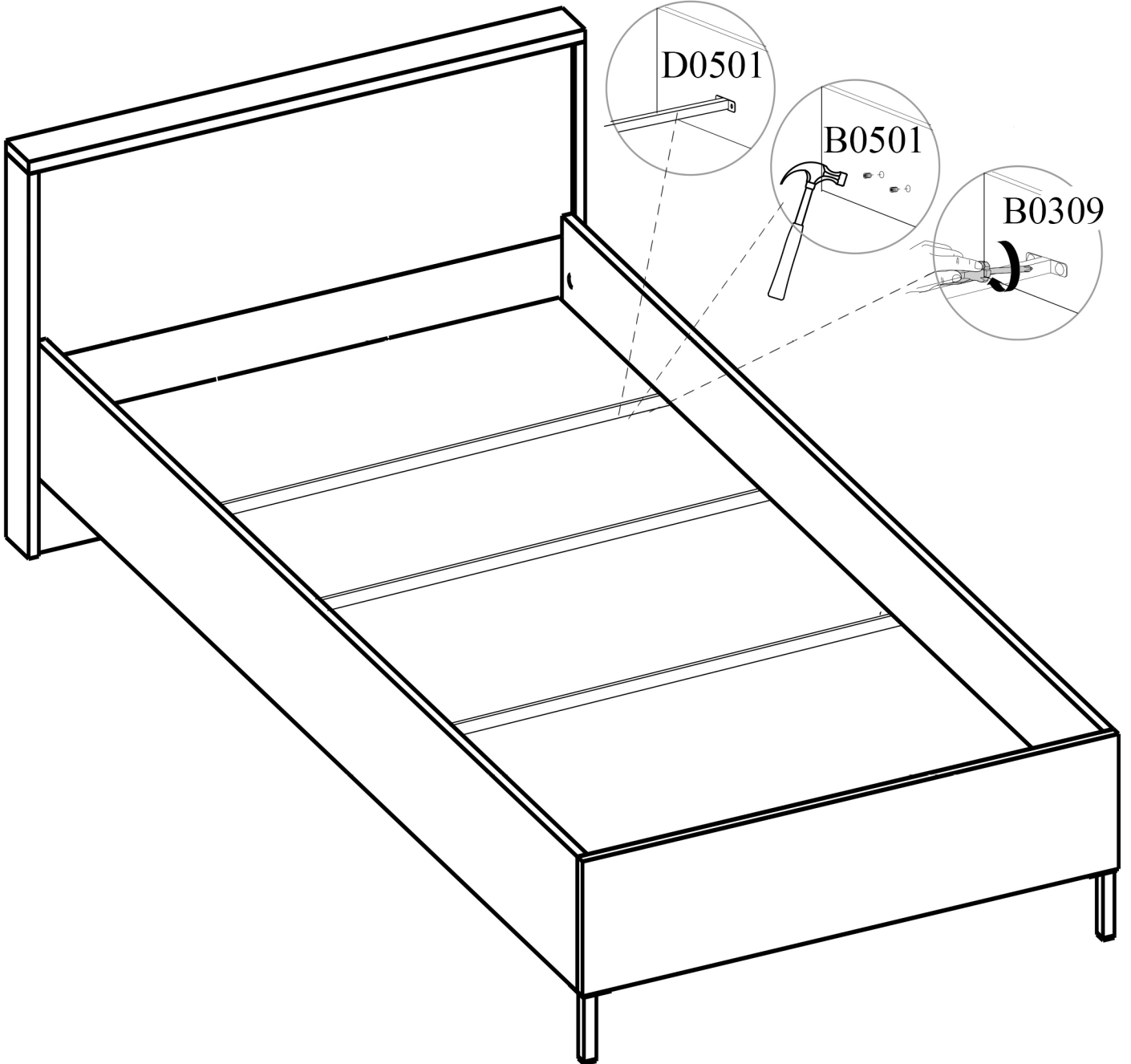
12x B0501



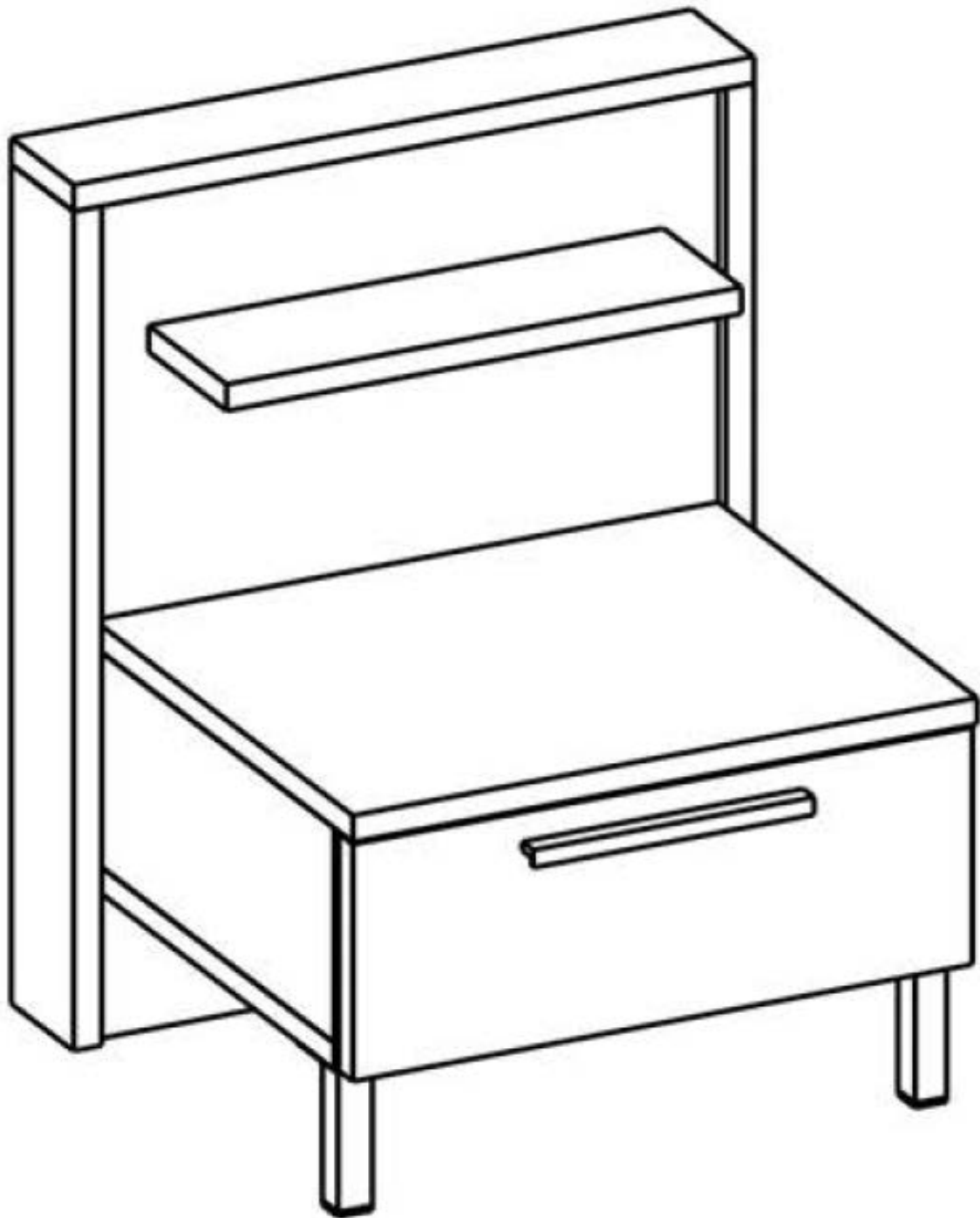
12x B0309

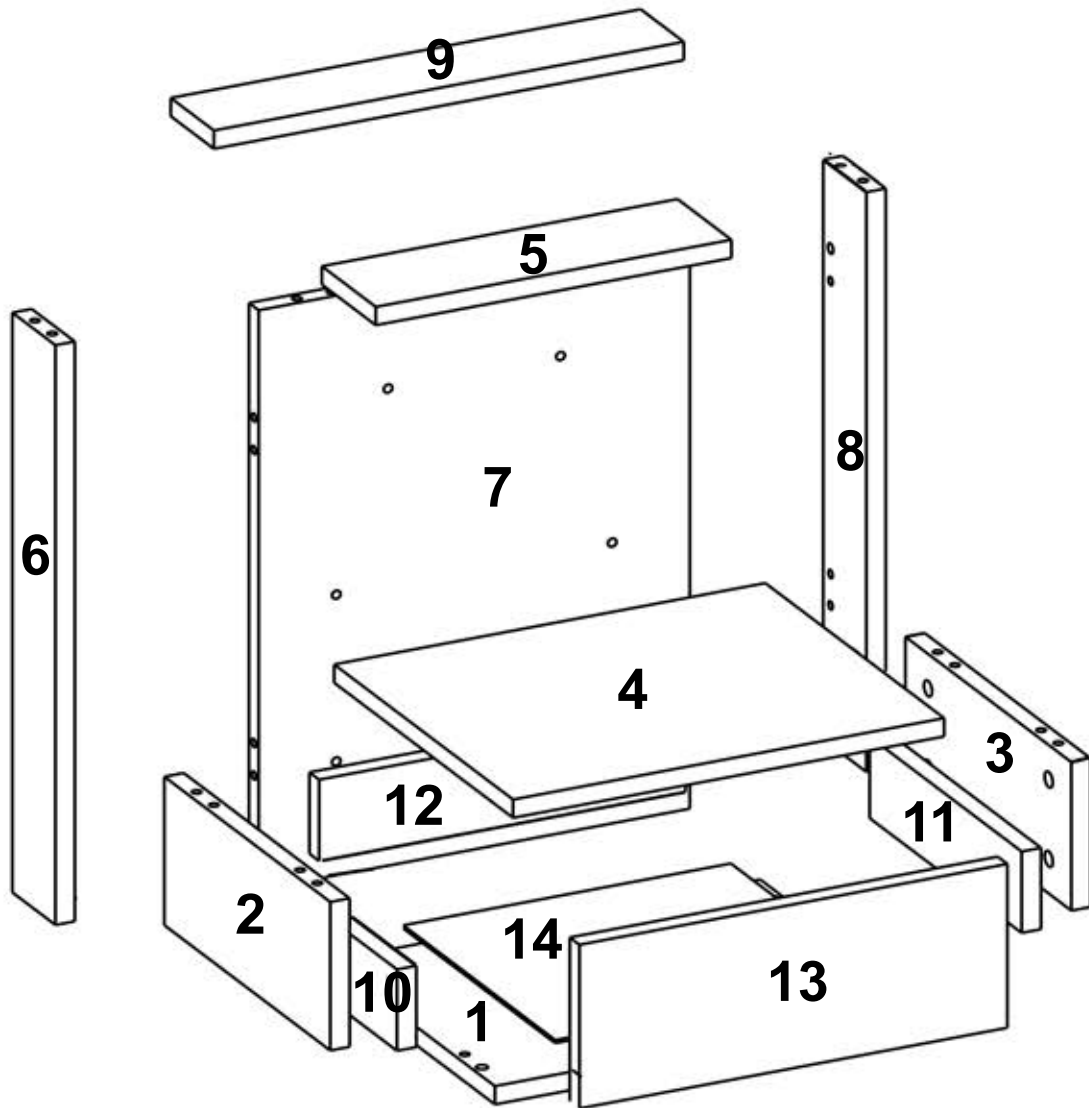




3x D0501















HM5

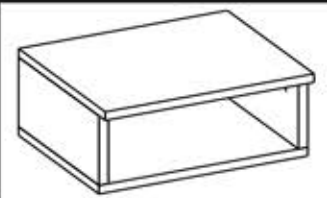








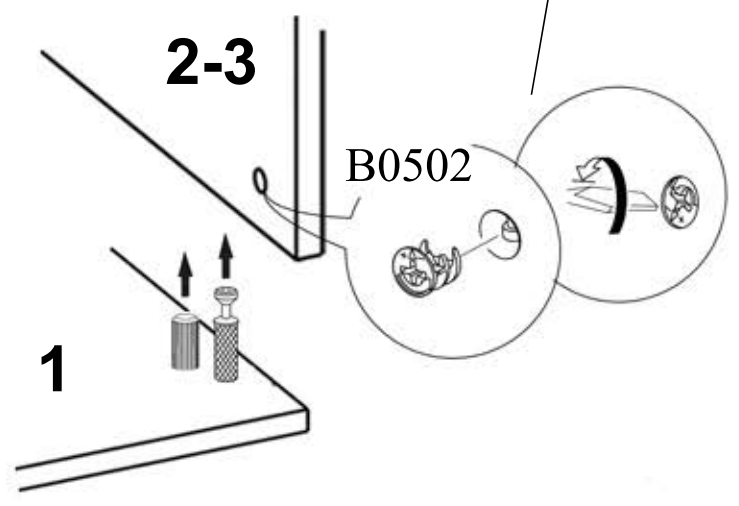
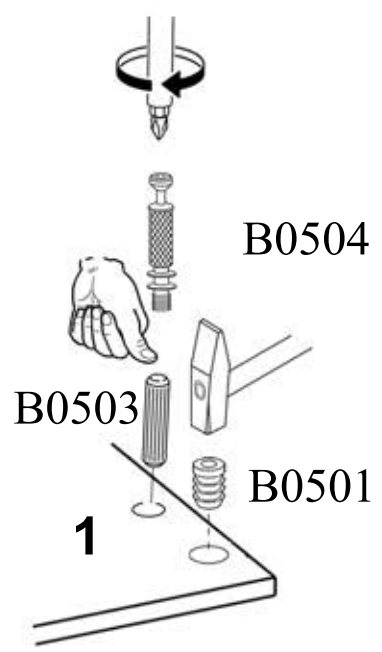
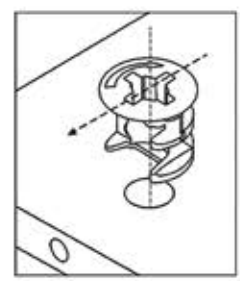
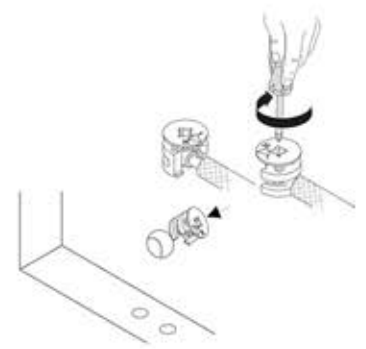
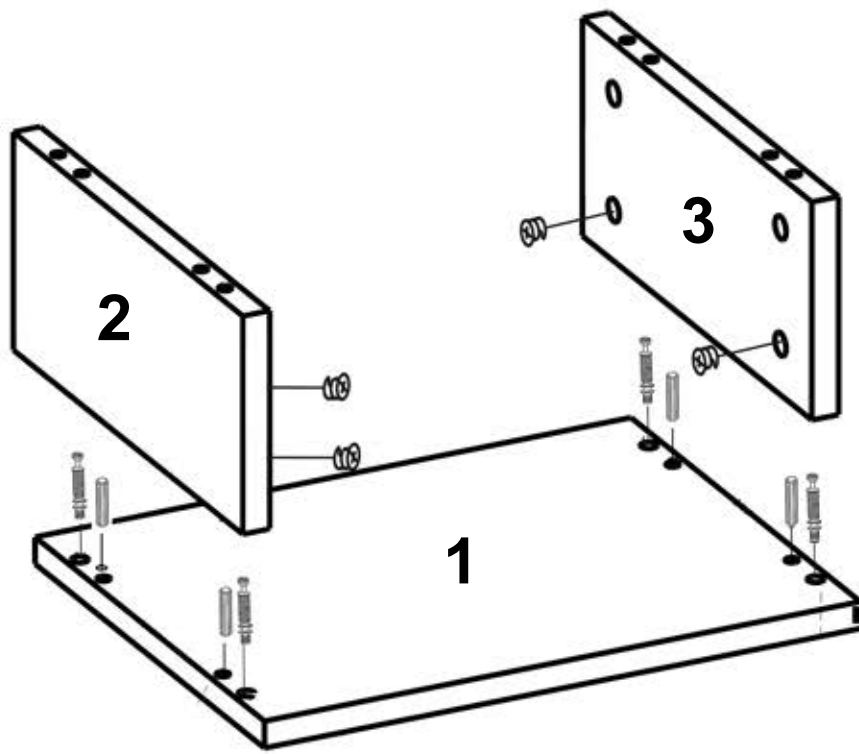
	
2x B1702	14x B0502

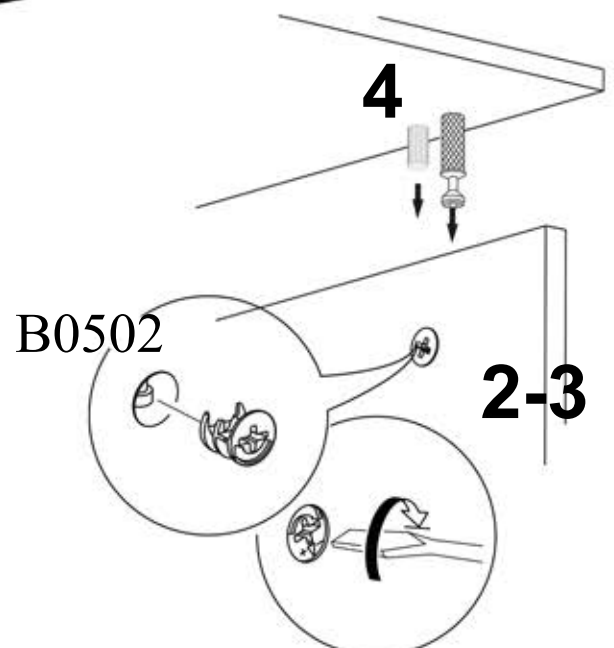
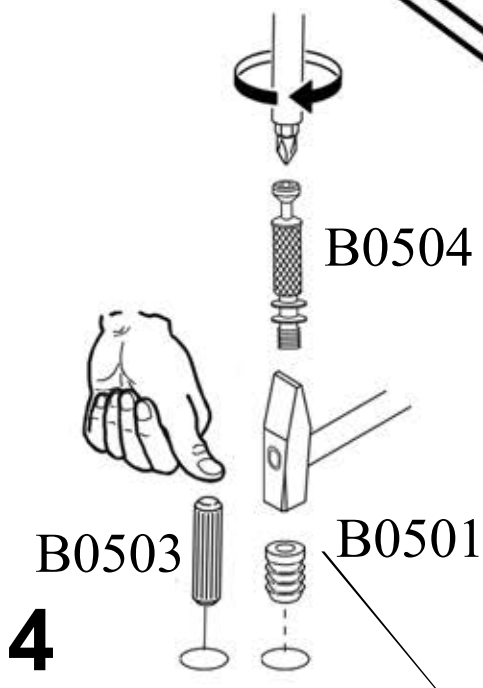
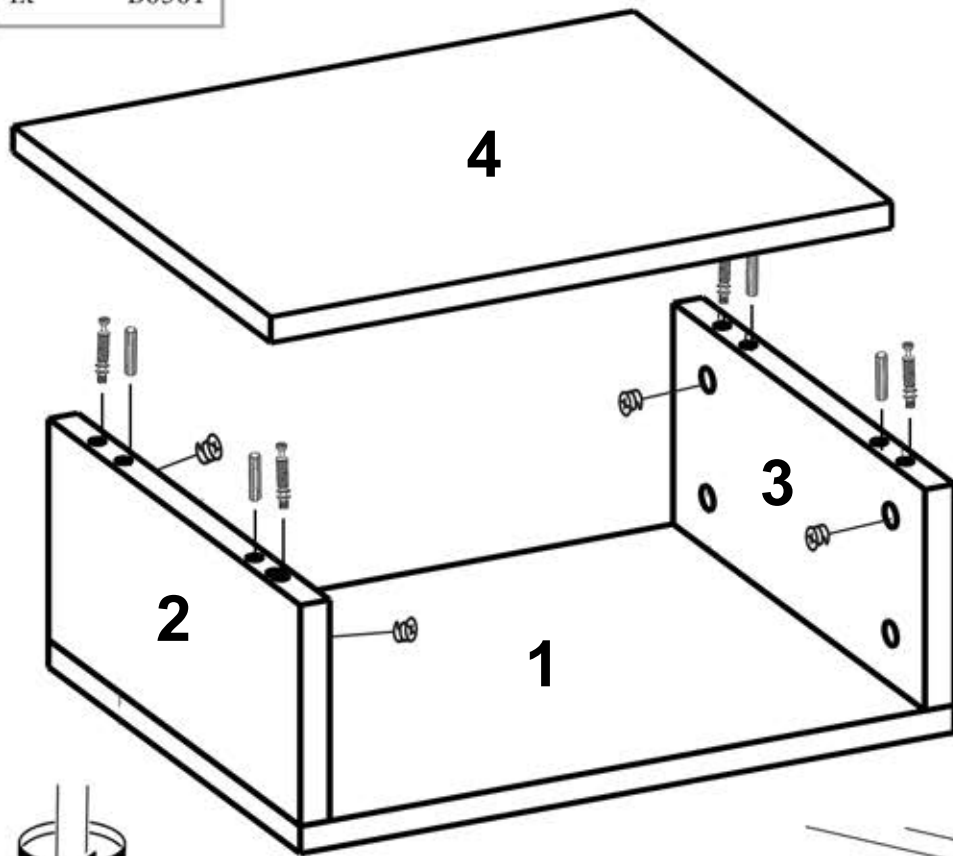
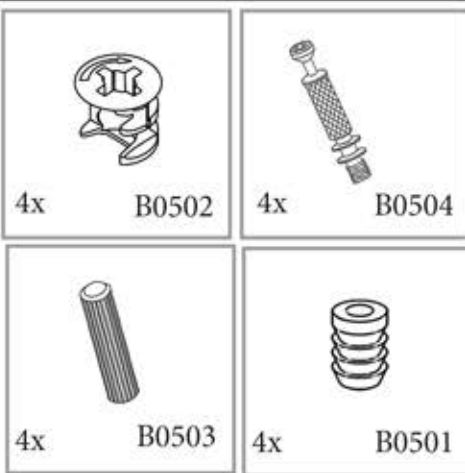
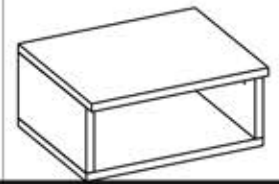
					
2x B0905	14x B0504	18x B0503	10x B0304	2x D0154	1x B0201

					
2x B0328	14x B0501	2x B0307	10x B0301	4x B0511	4x B0510







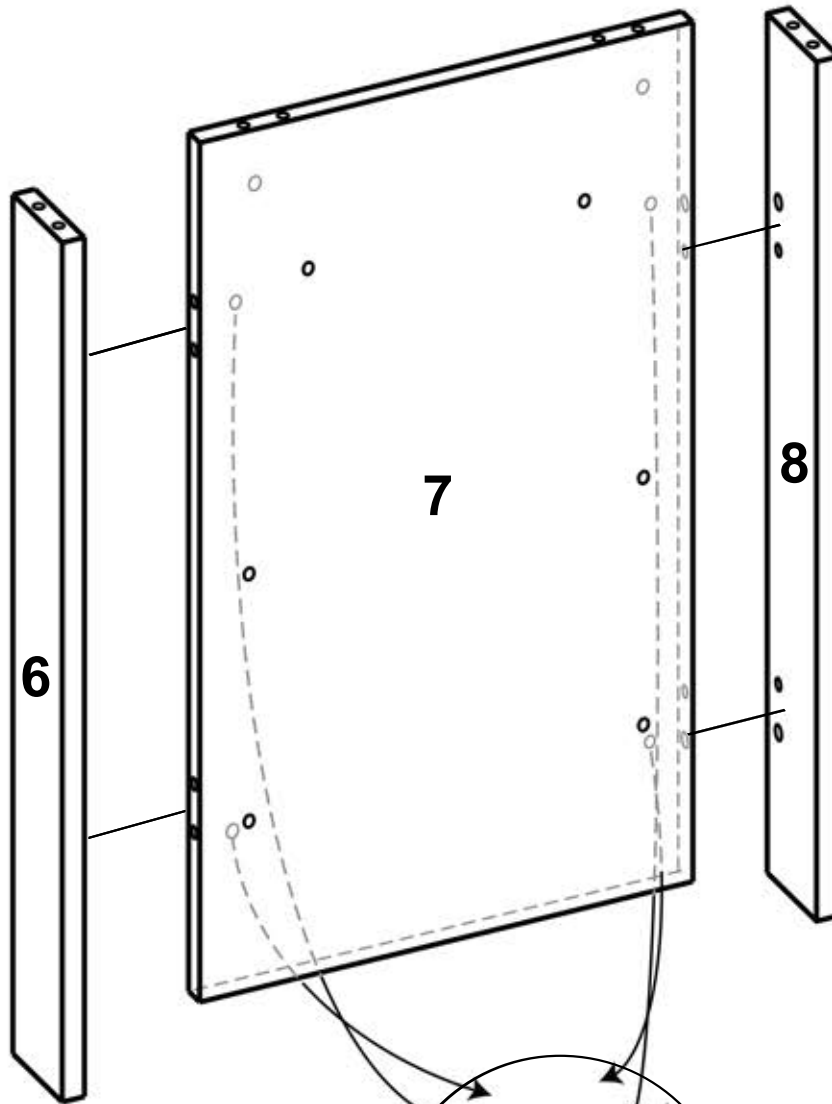
 4x B0502	 4x B0504	 4x B0503	 4x B0501
---	---	---	---



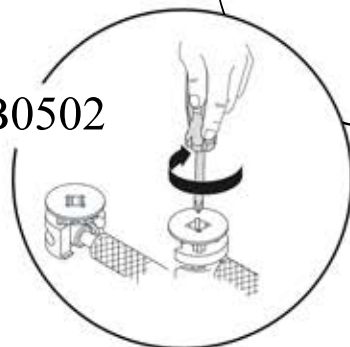




- | | | | |
|---|---|---|---|
| 
4x B0502 | 
4x B0504 | 
4x B0503 | 
4x B0501 |
|---|---|---|---|

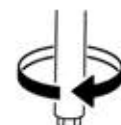
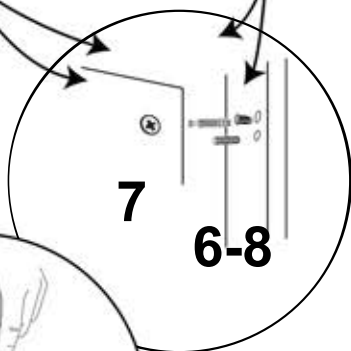


B0502



7

6-8

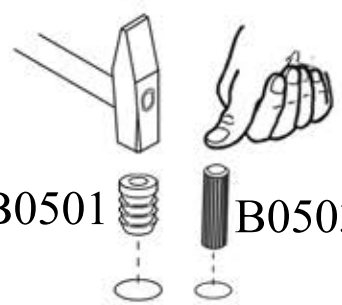


B0504



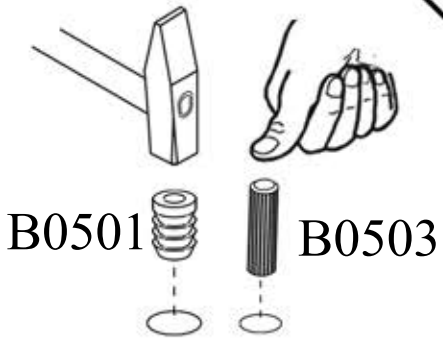
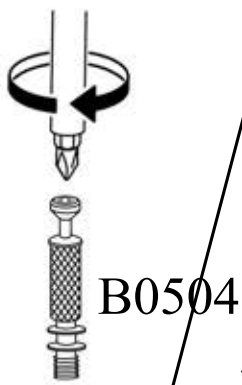
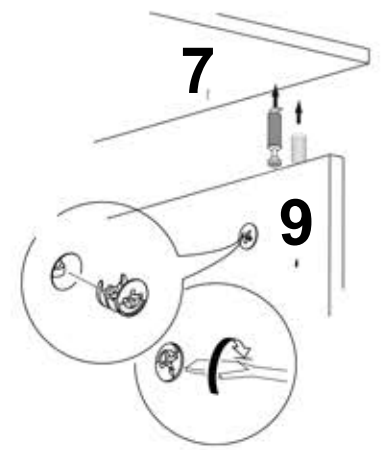
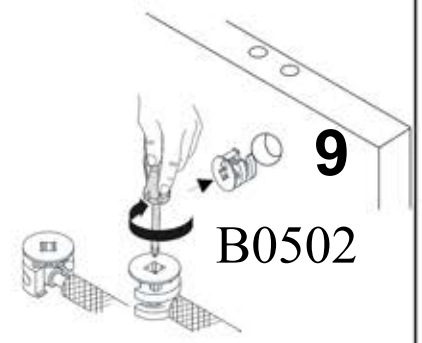
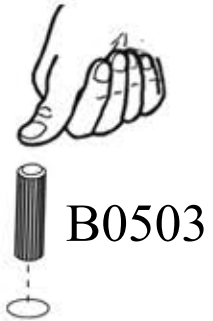
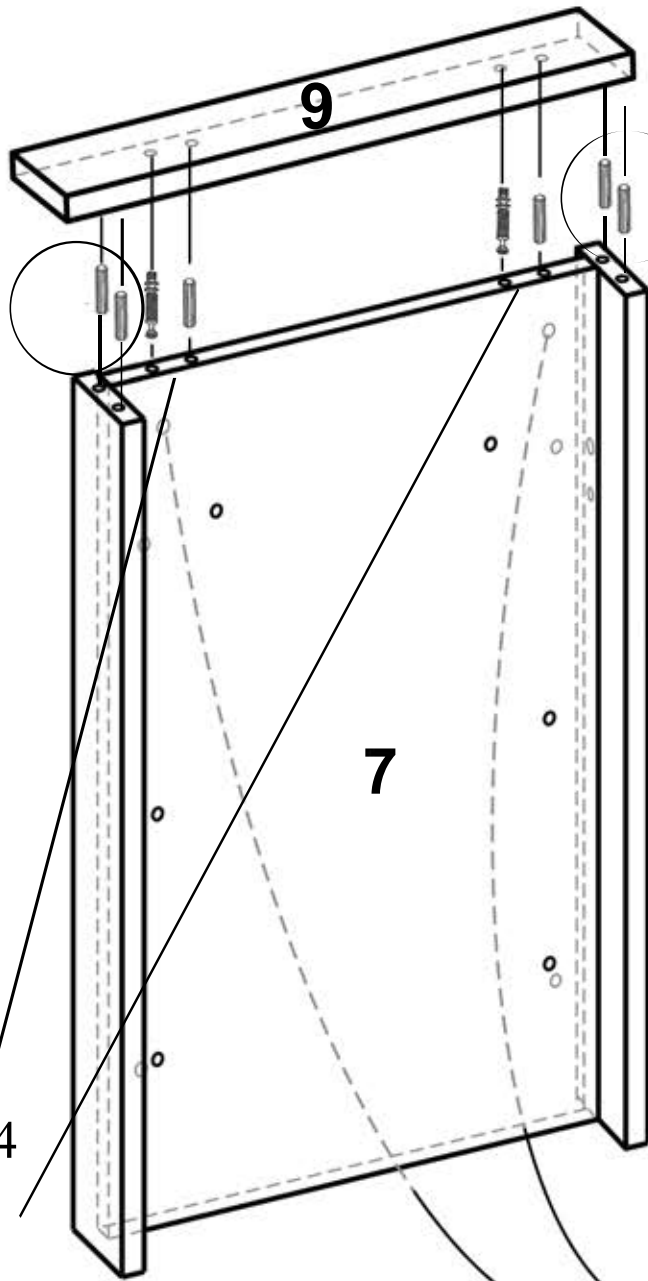
B0501

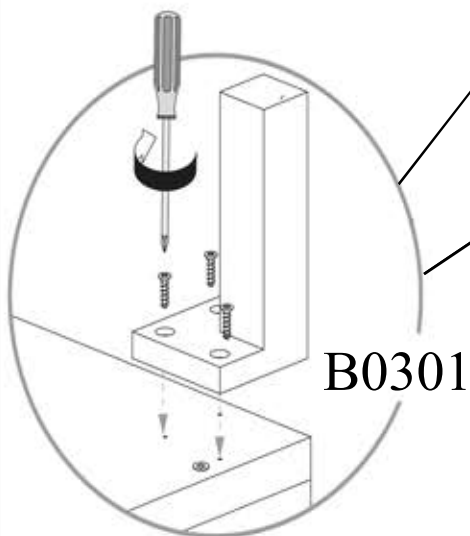
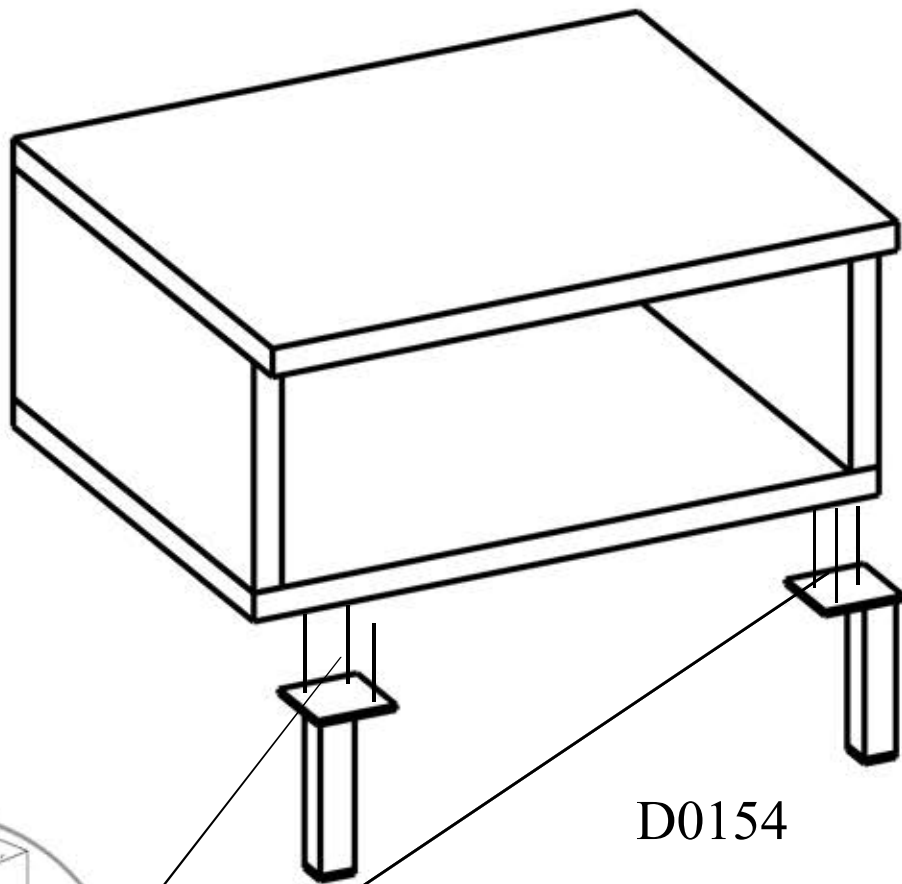
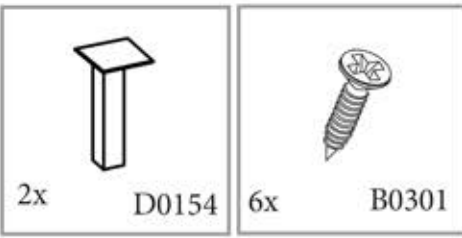
B0503

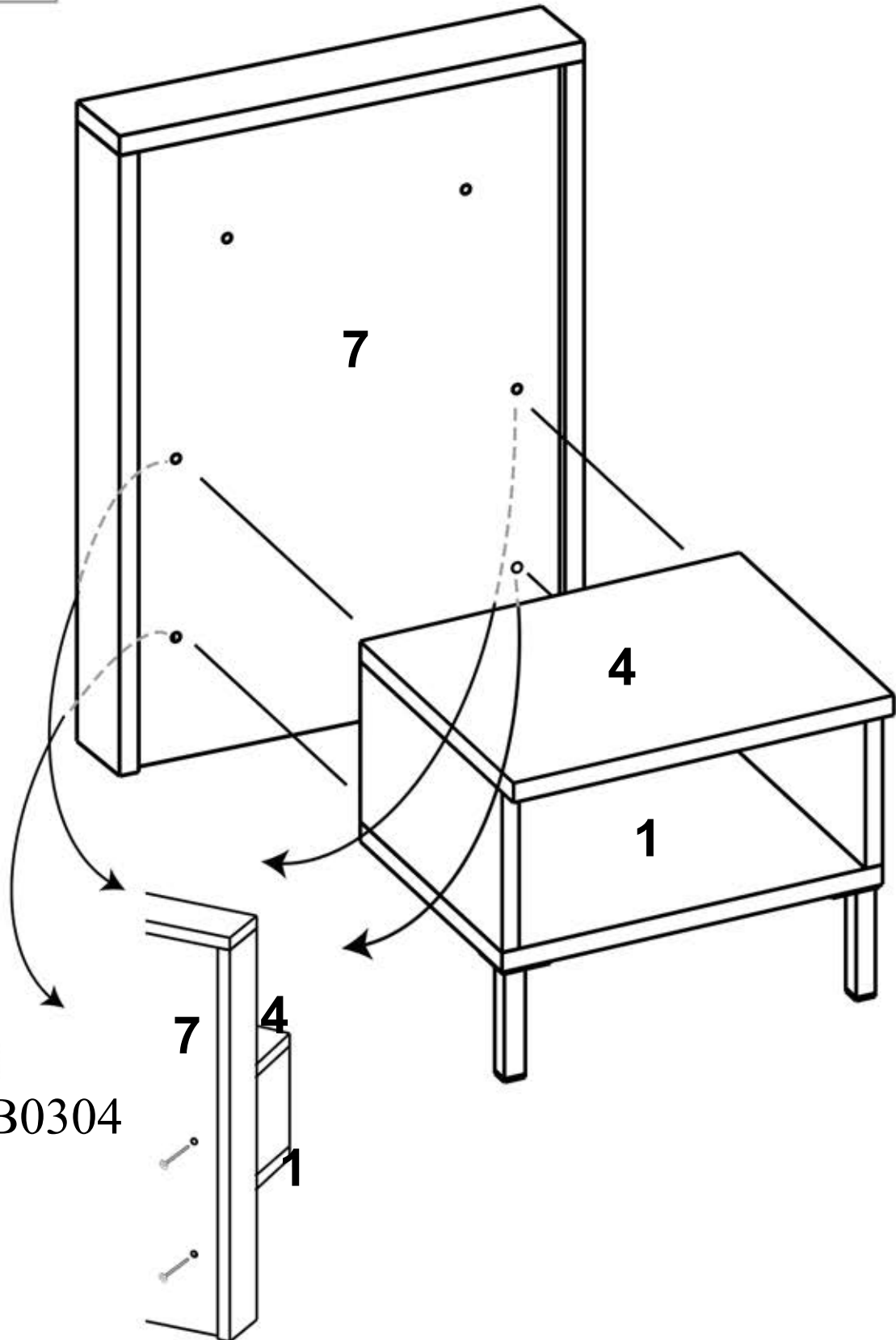


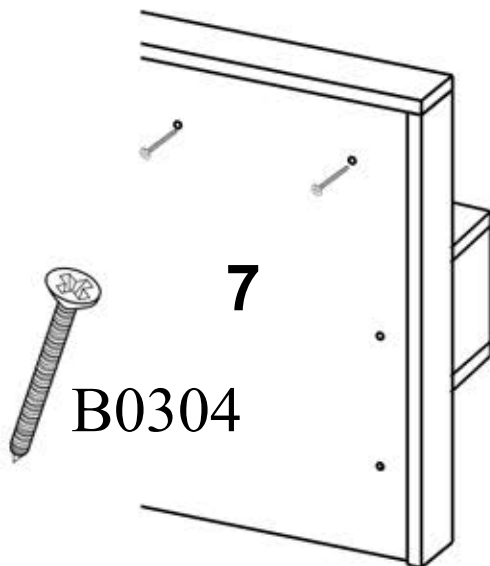
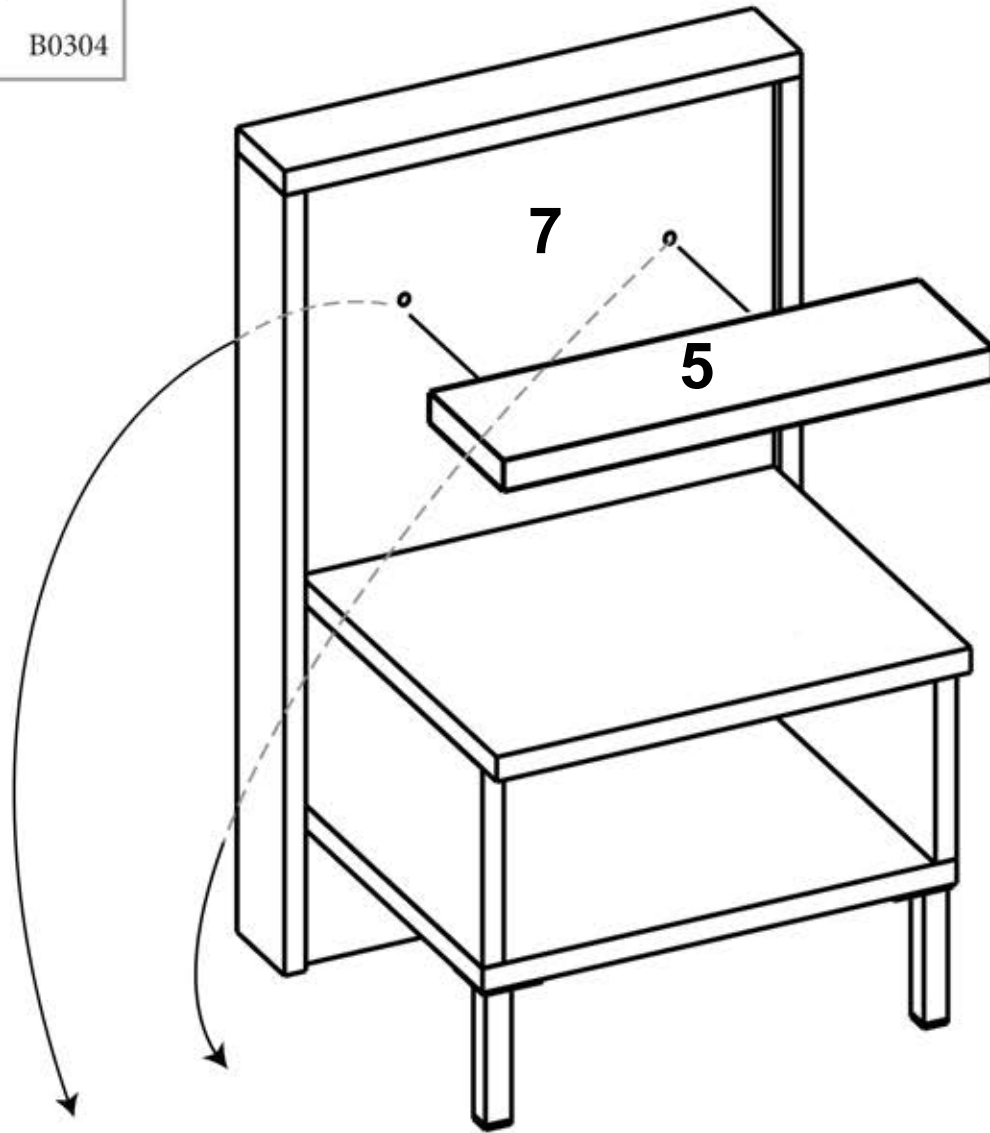


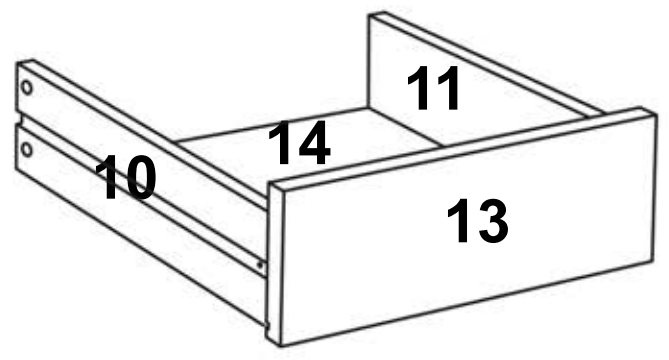
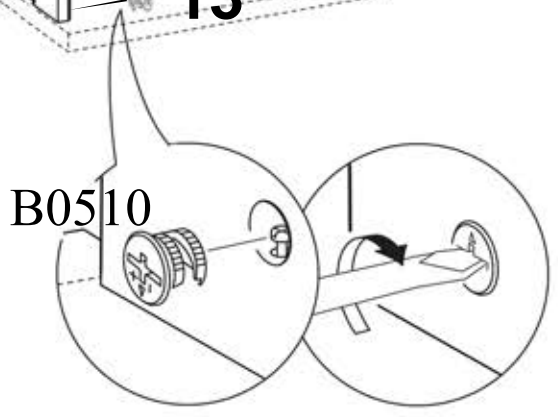
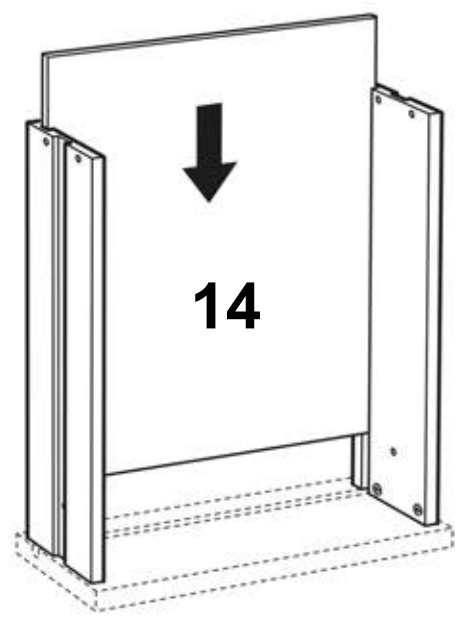
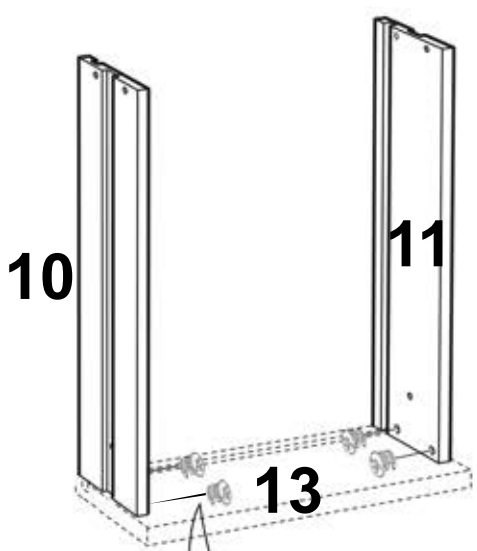
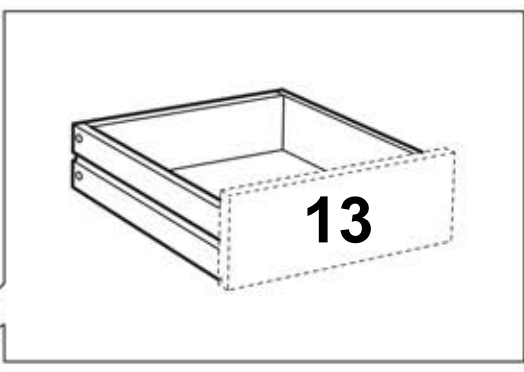
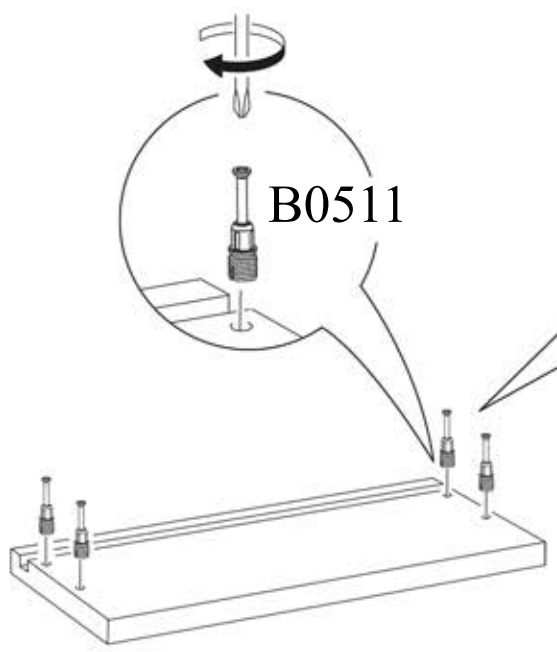
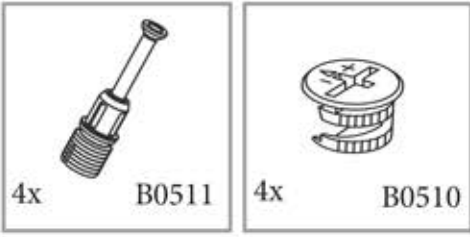
- 2x B0502
- 2x B0504
- 6x B0503
- 2x B0501





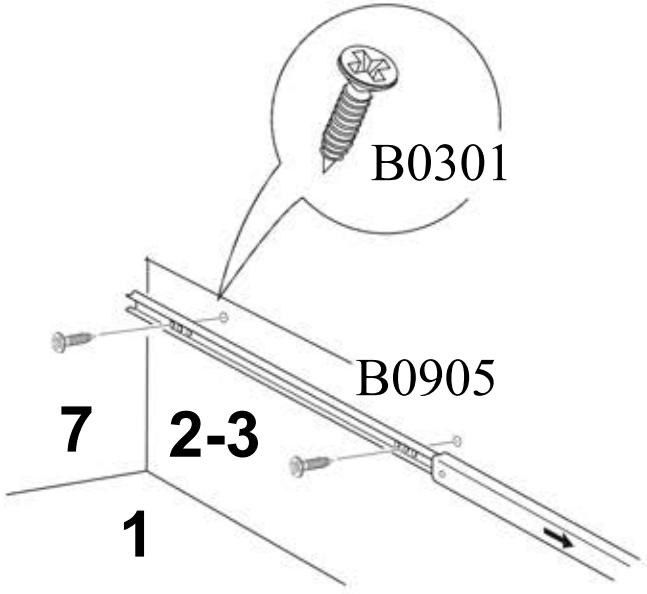
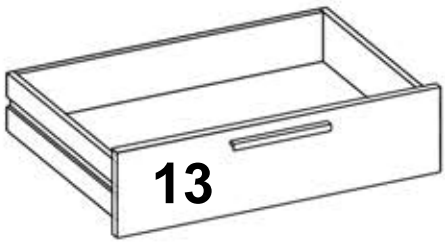
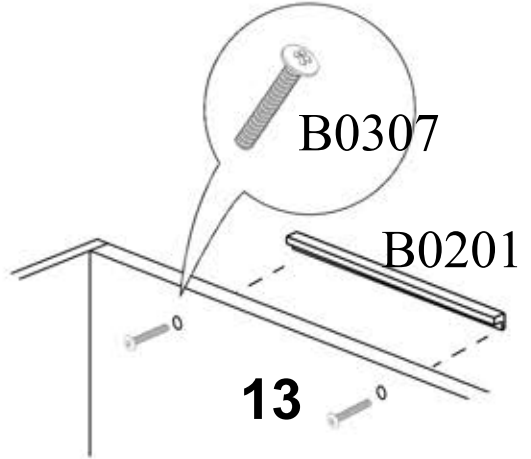
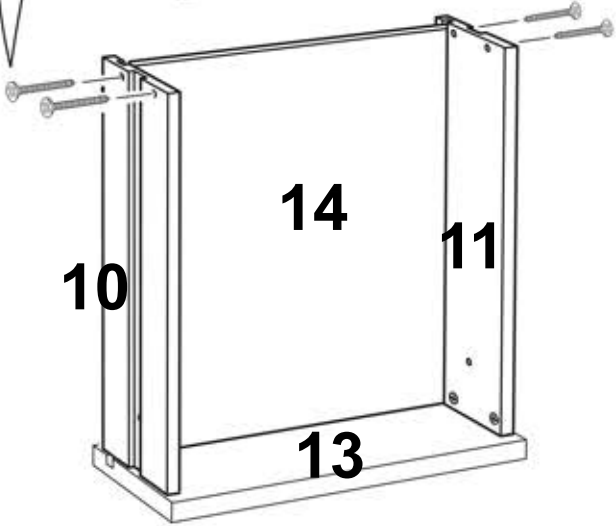
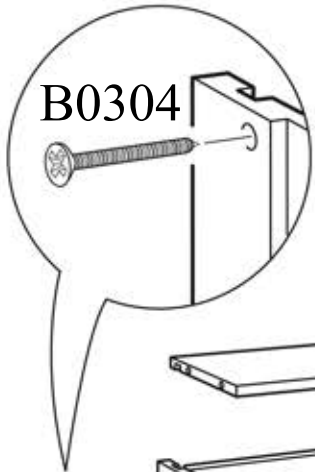








 2x B0905	 1x B0201	 4x B0304	 4x B0301	 2x B0307
--	---	---	---	---





2x B0328

