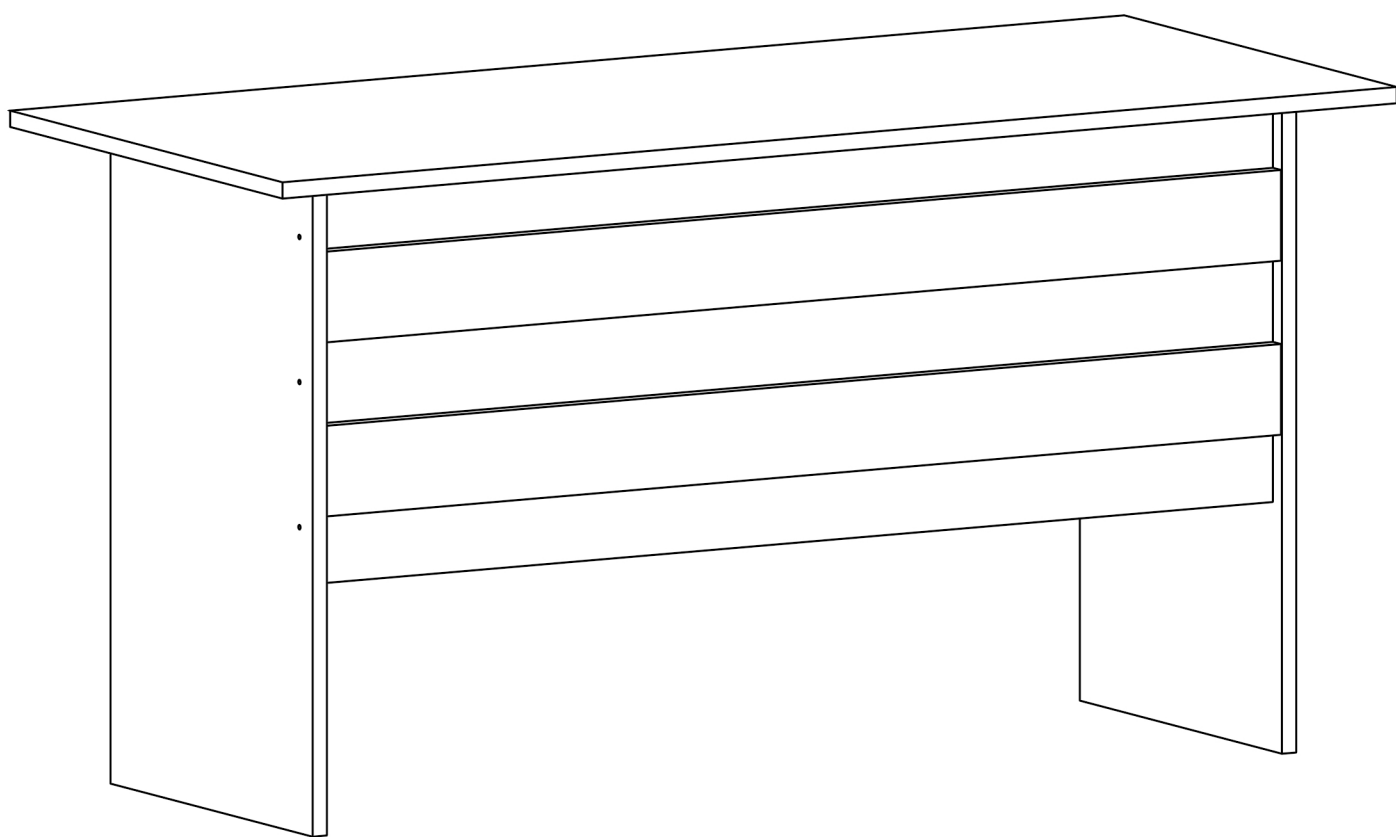


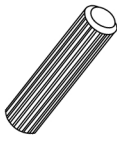
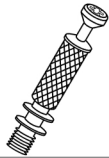



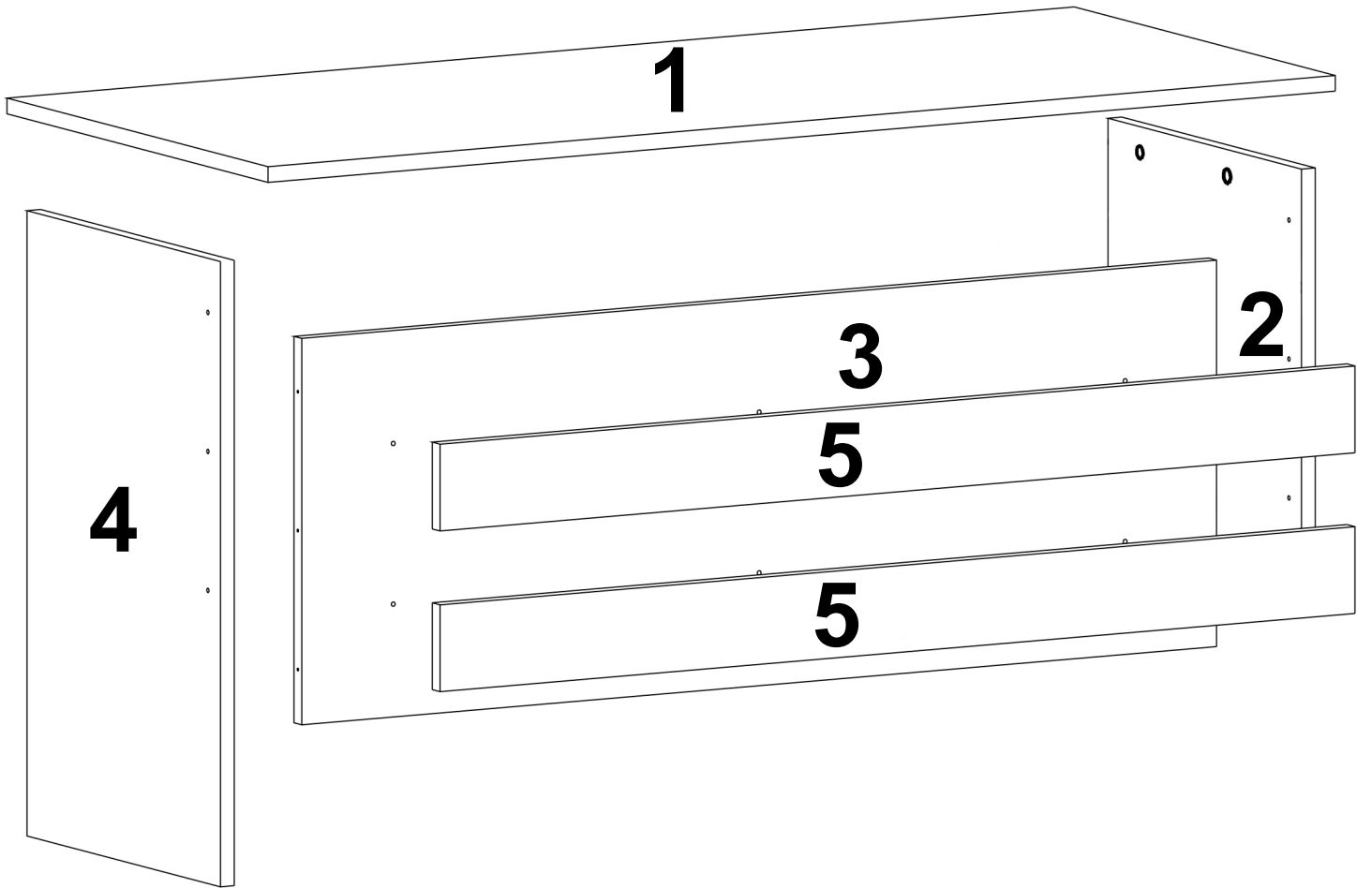
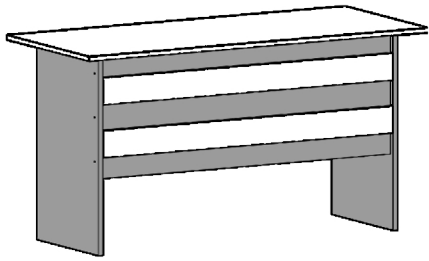


VO1



 <p>B0501 x4</p>	 <p>B0502 x4</p>	 <p>B0503 x4</p>	 <p>B0504 x4</p>	 <p>B0304 x6</p>
 <p>B0303 x6</p>	 <p>COLOR 1 x6 COLOR 2</p>			

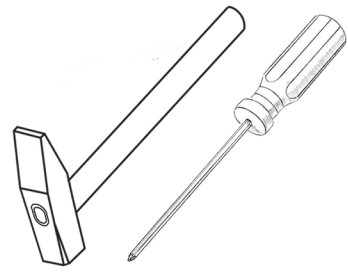




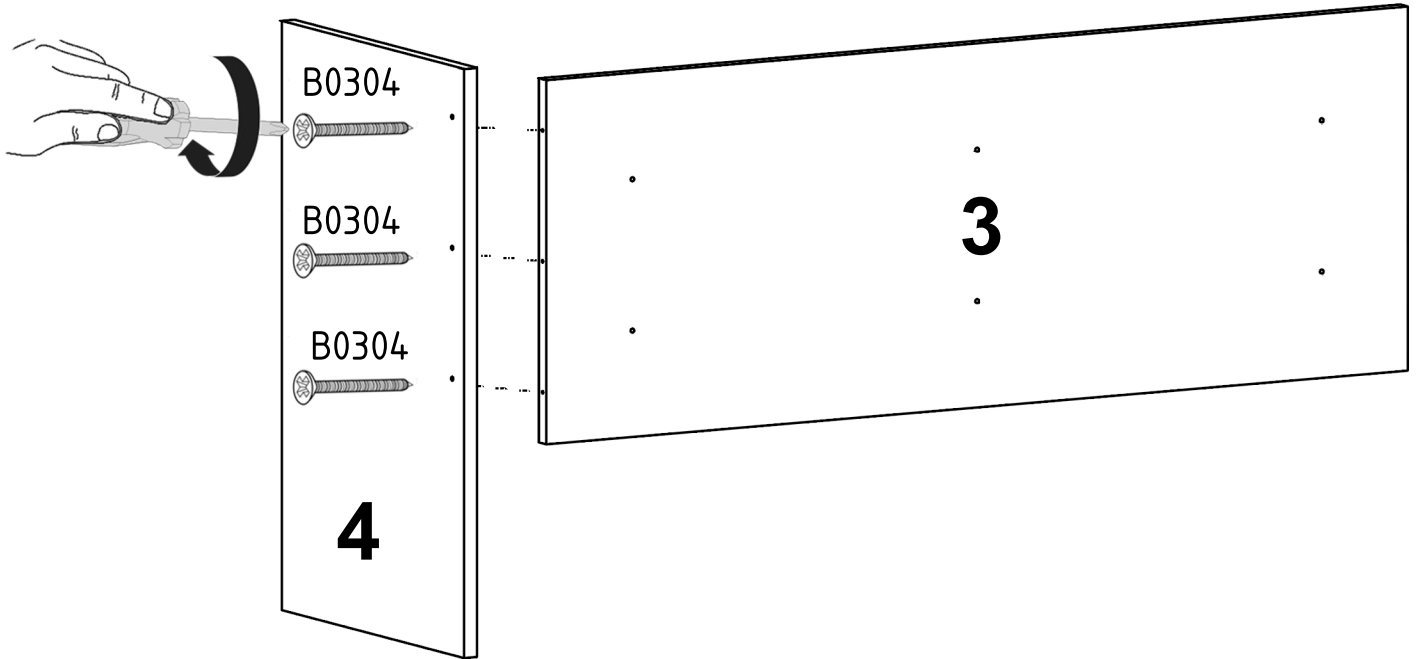
B0304



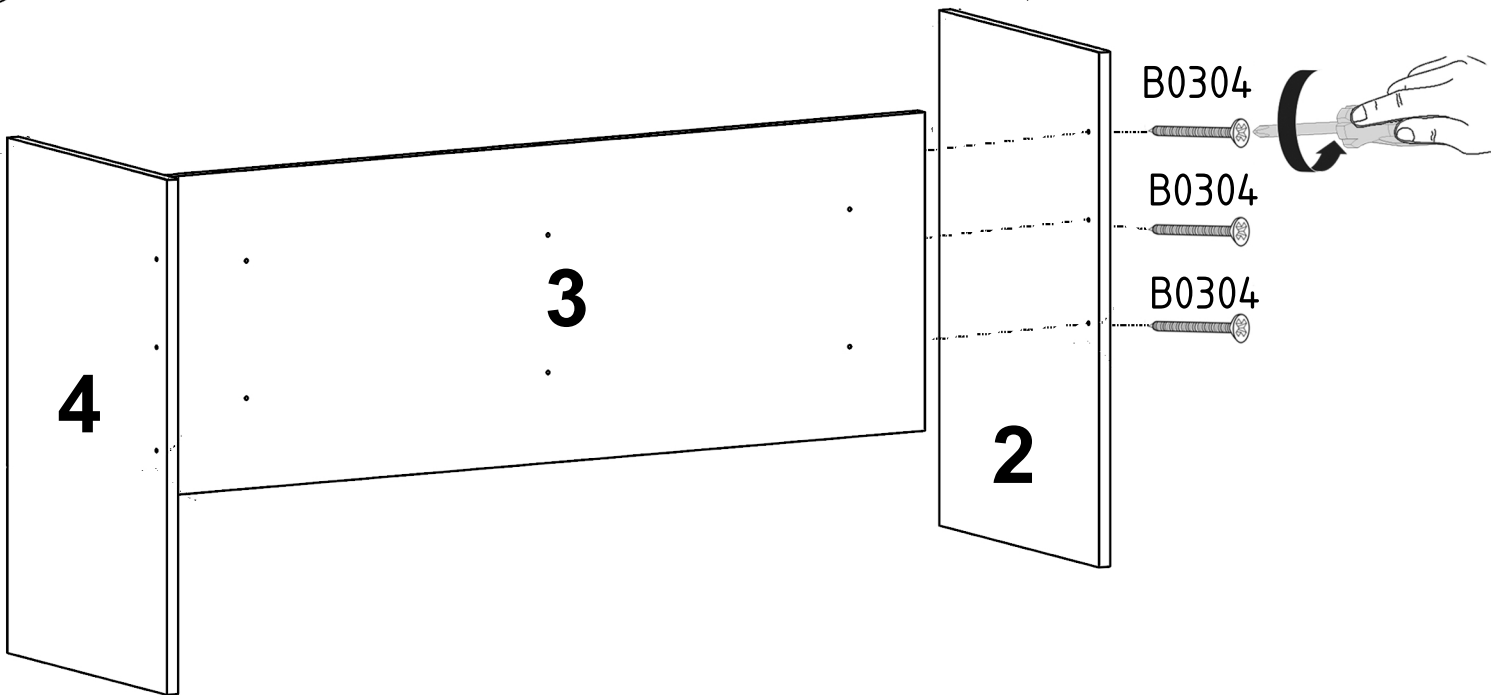
x6

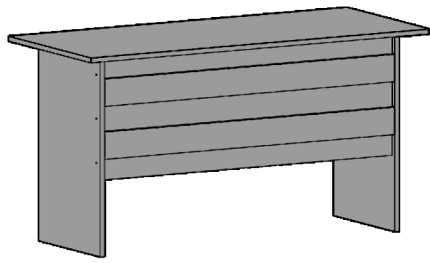


1



2





B0303



x6

B0502



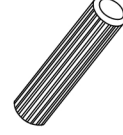
x4

B0501



x4

B0503

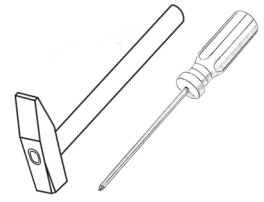


x4

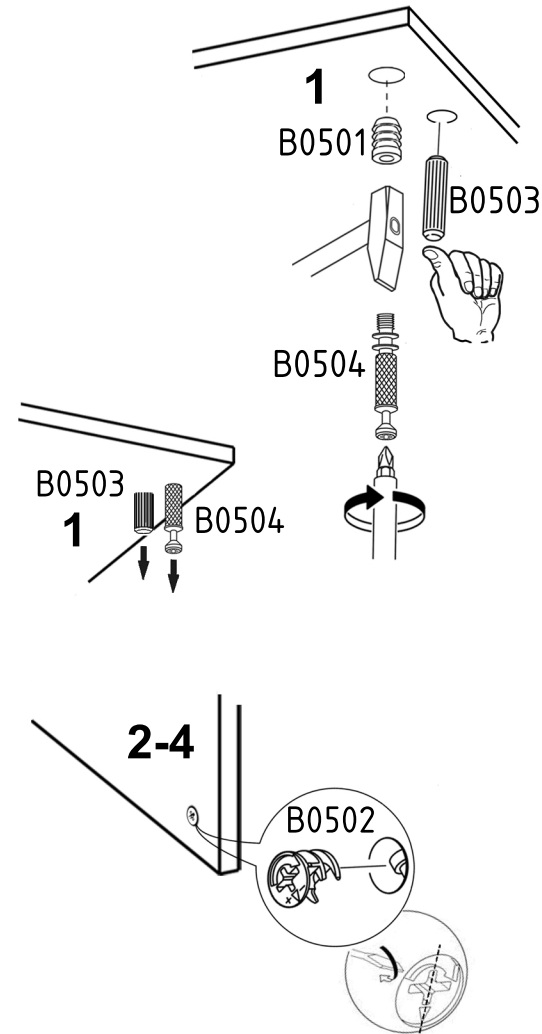
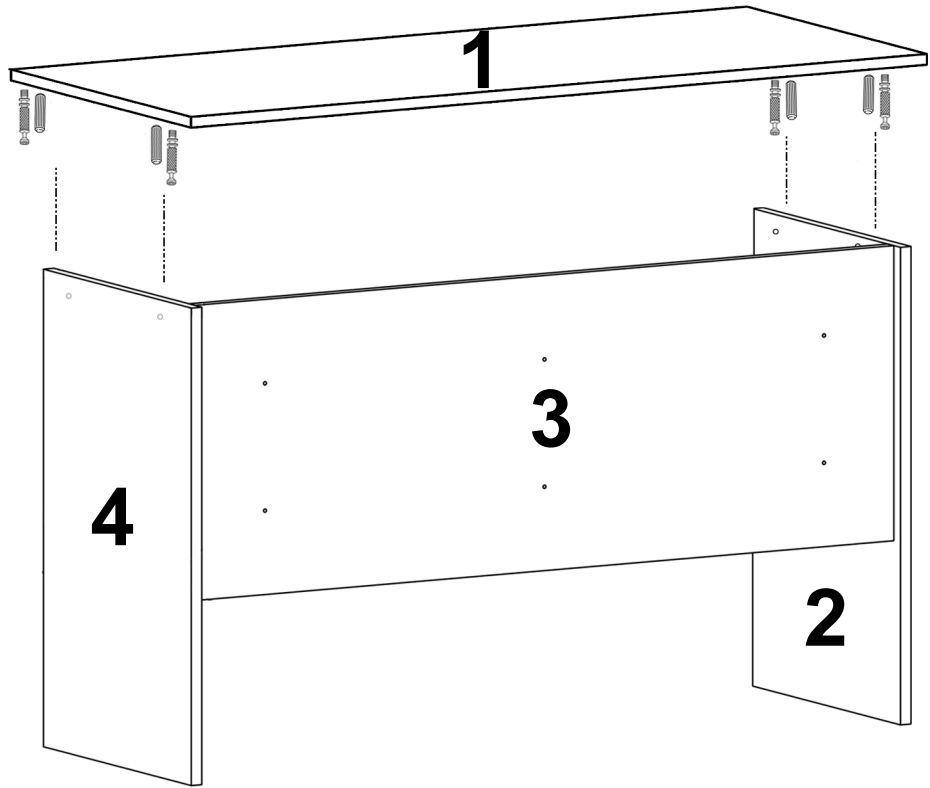
B0504



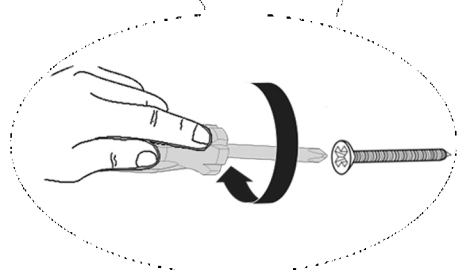
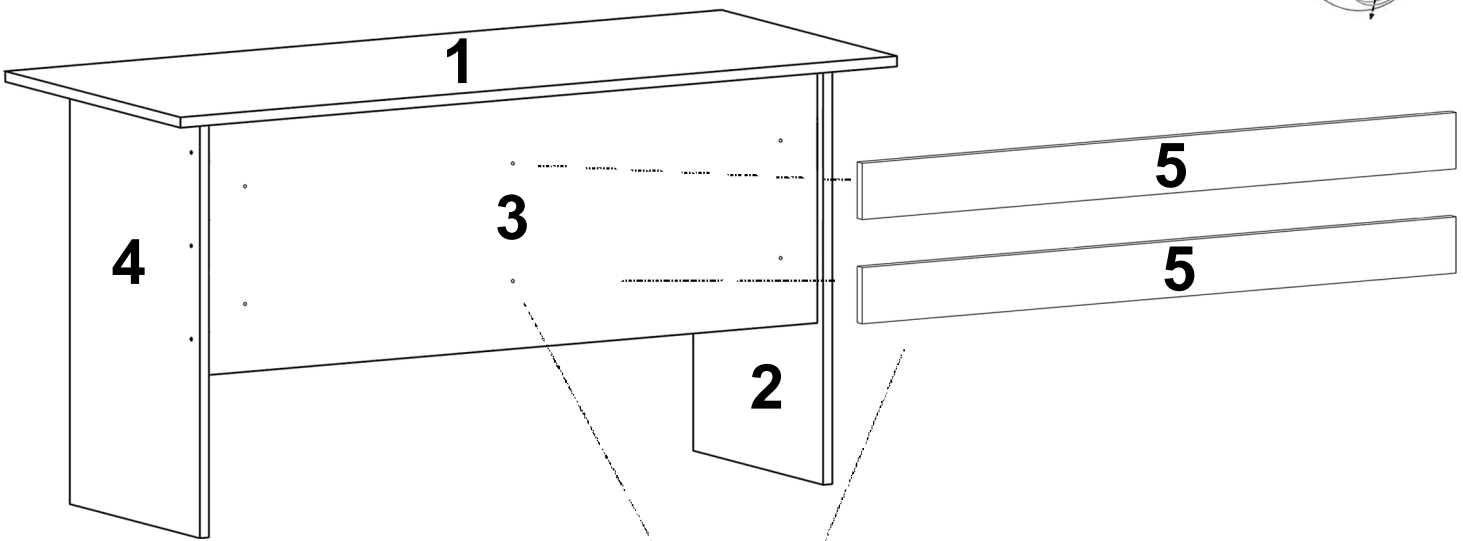
x4



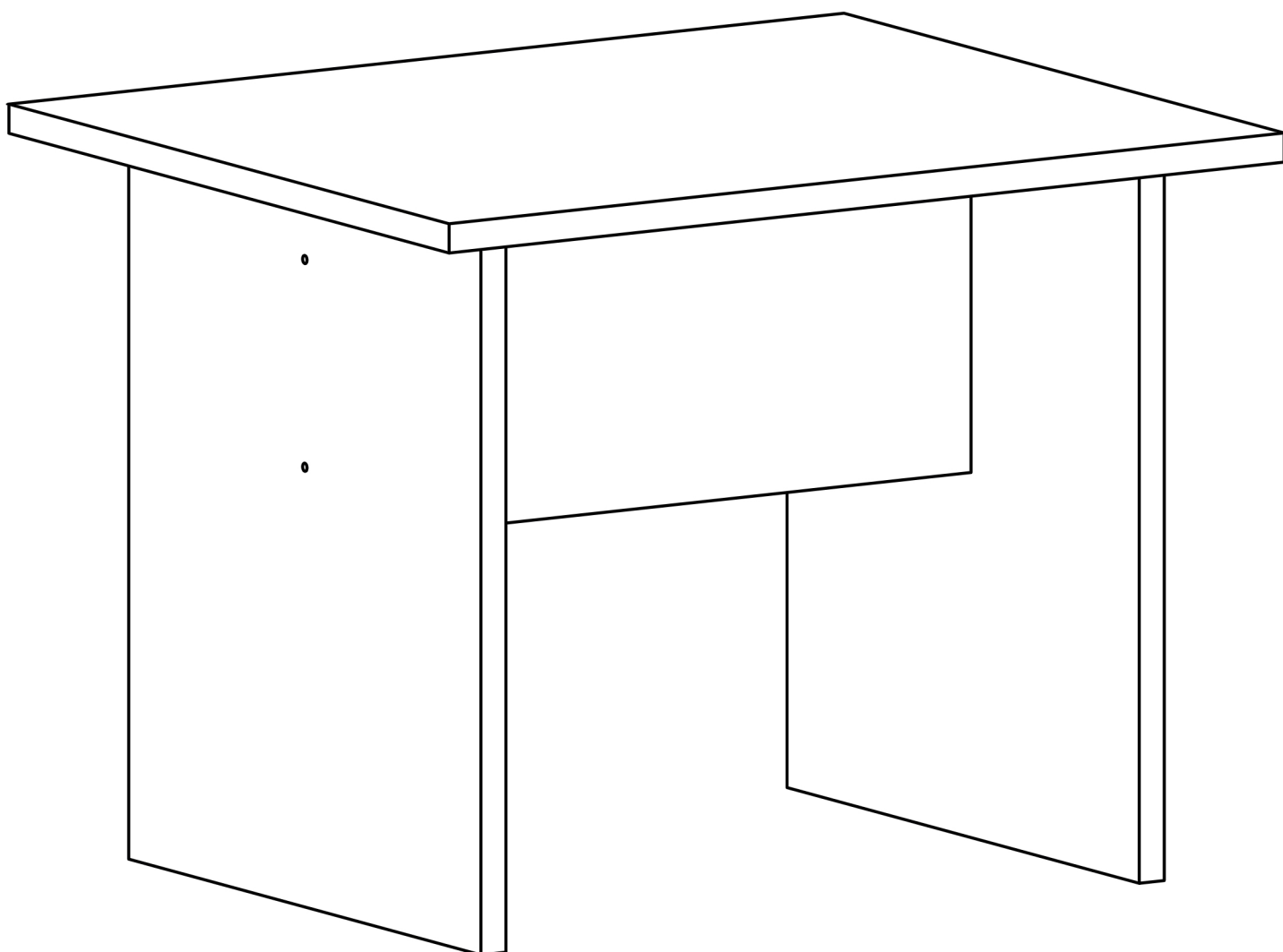
3

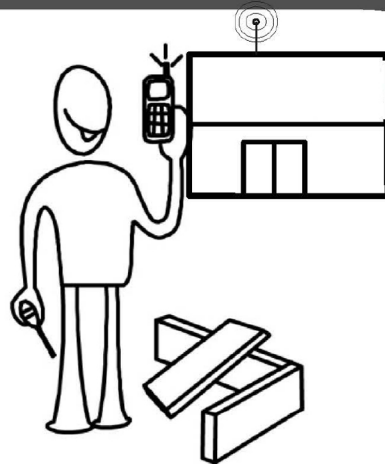
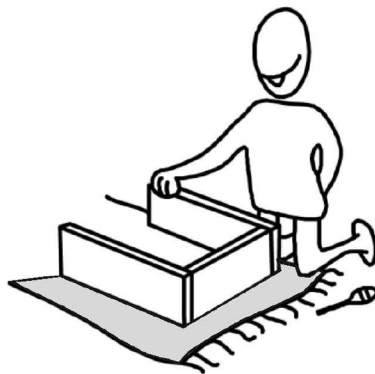
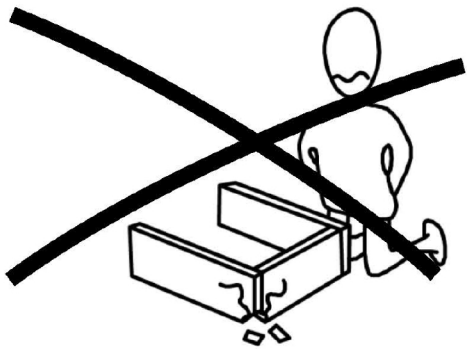
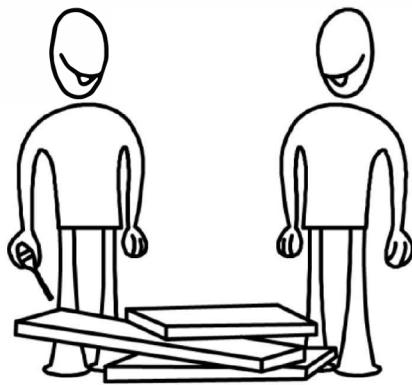
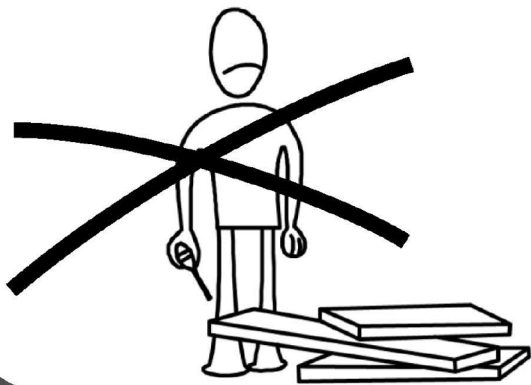


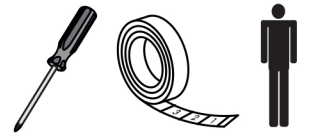
4


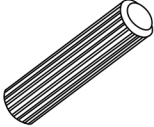


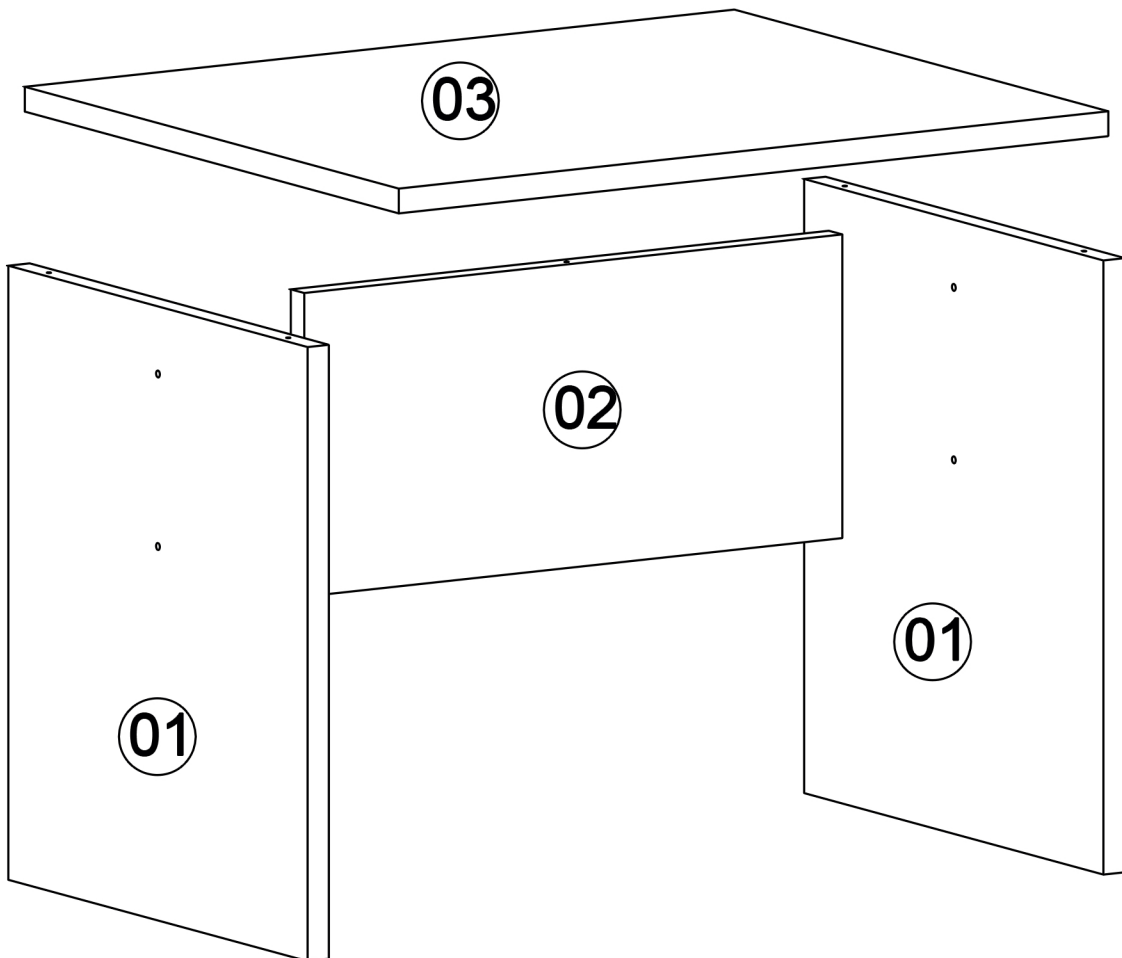
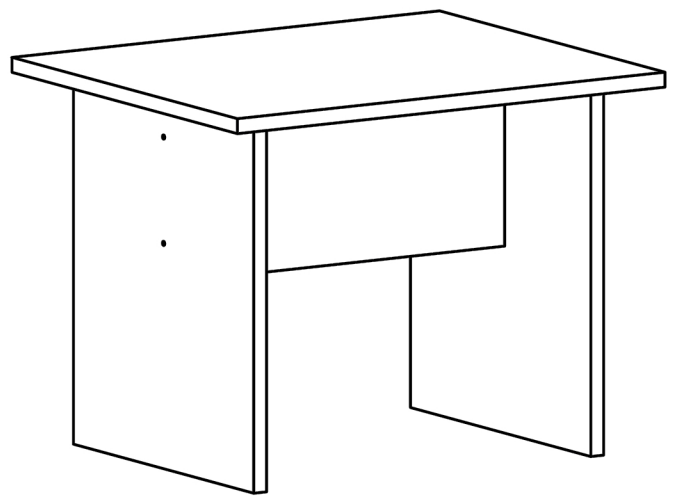
Vario B

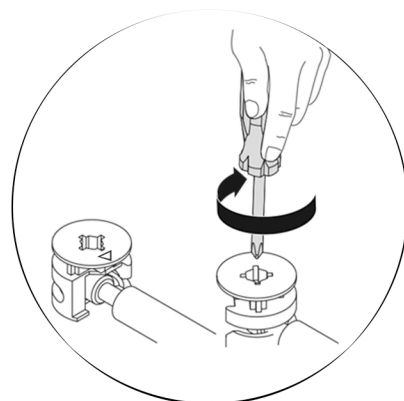
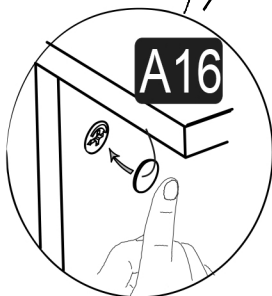
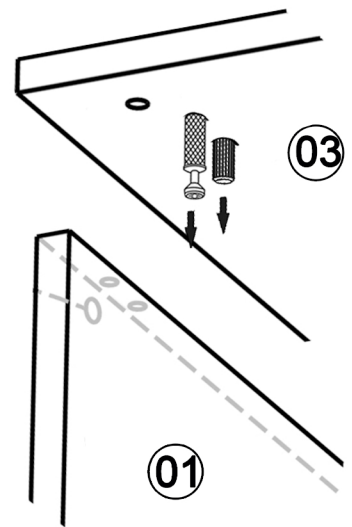
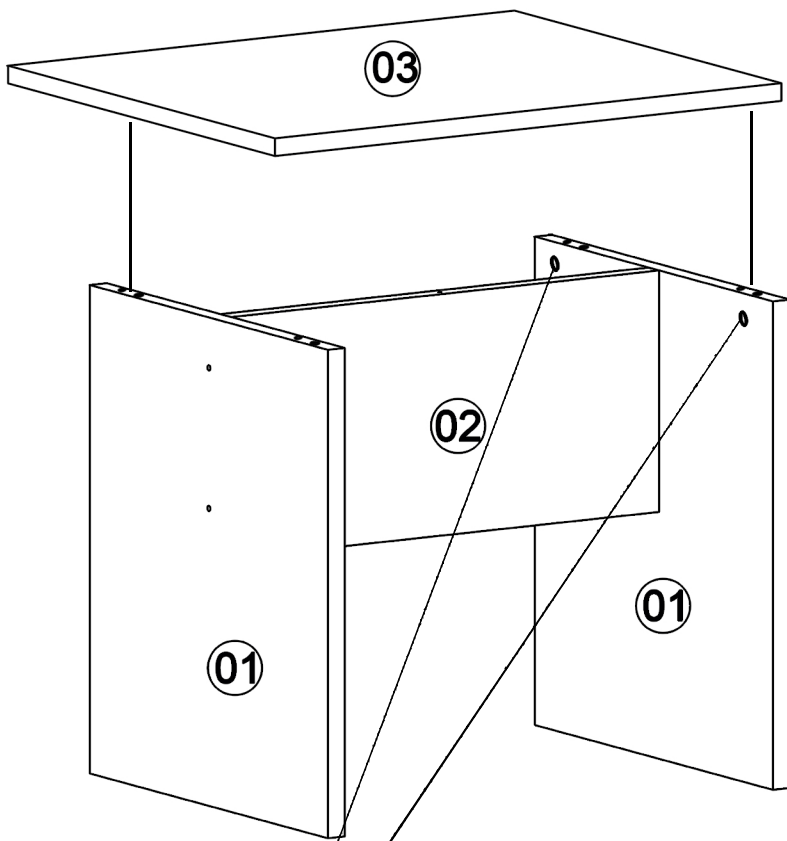
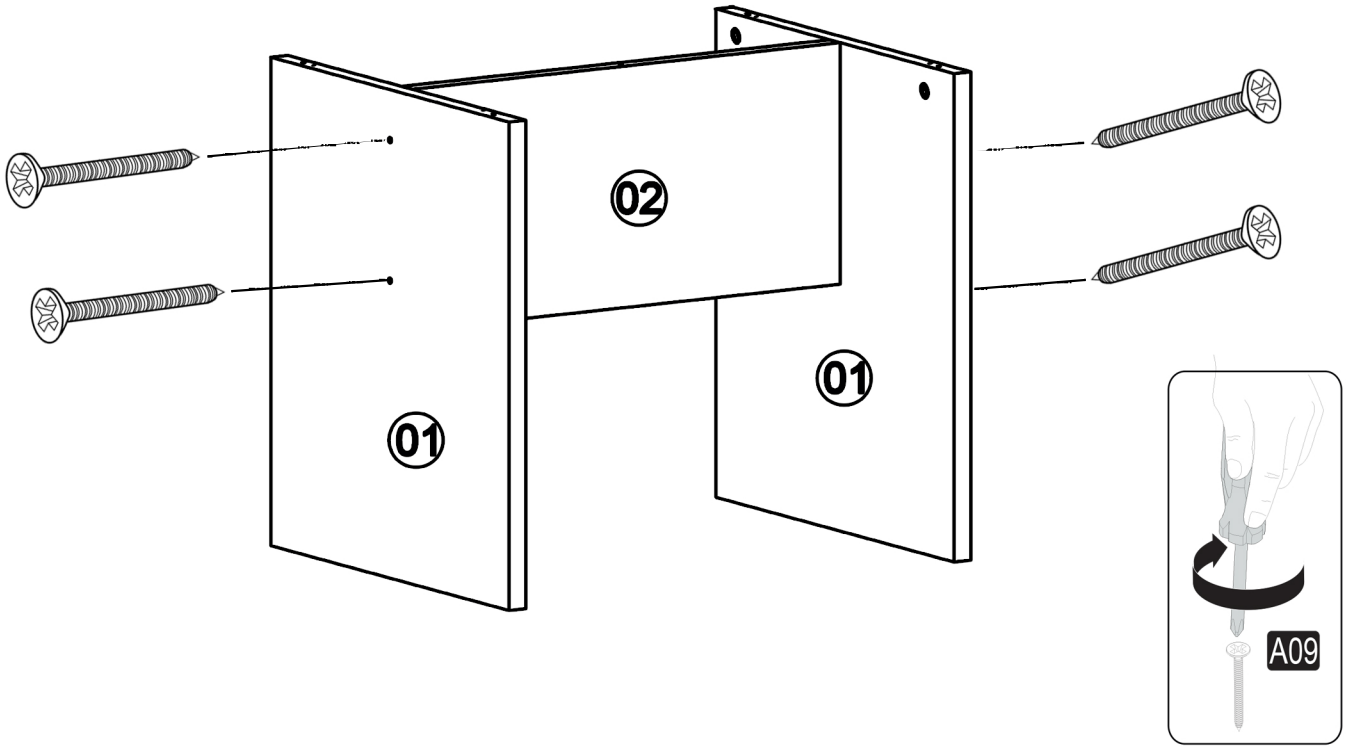






A09  4x	A16 Colour 1 Colour 2  4x	 4x	 4x	 4x
 4x				

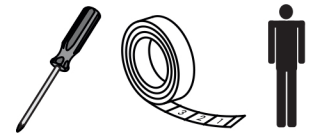







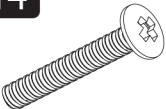


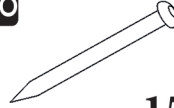

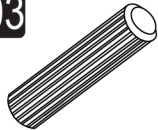


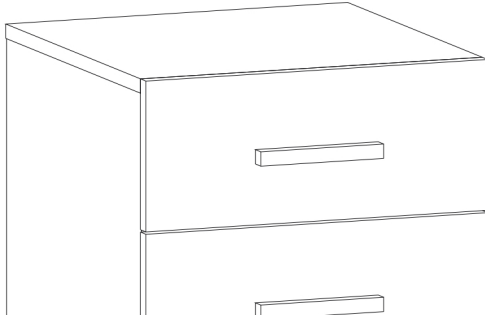



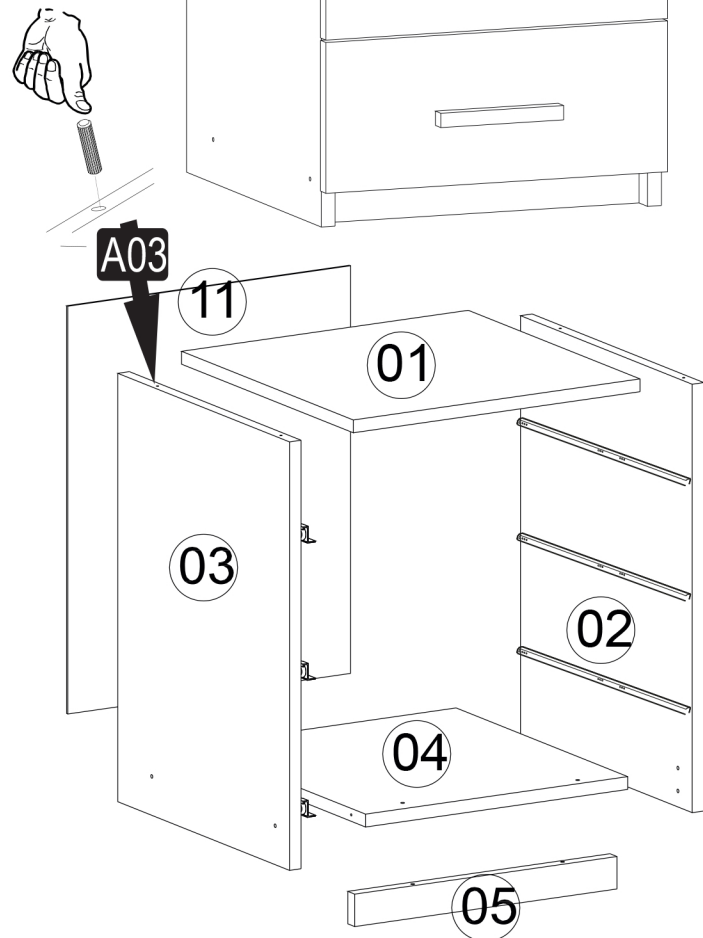
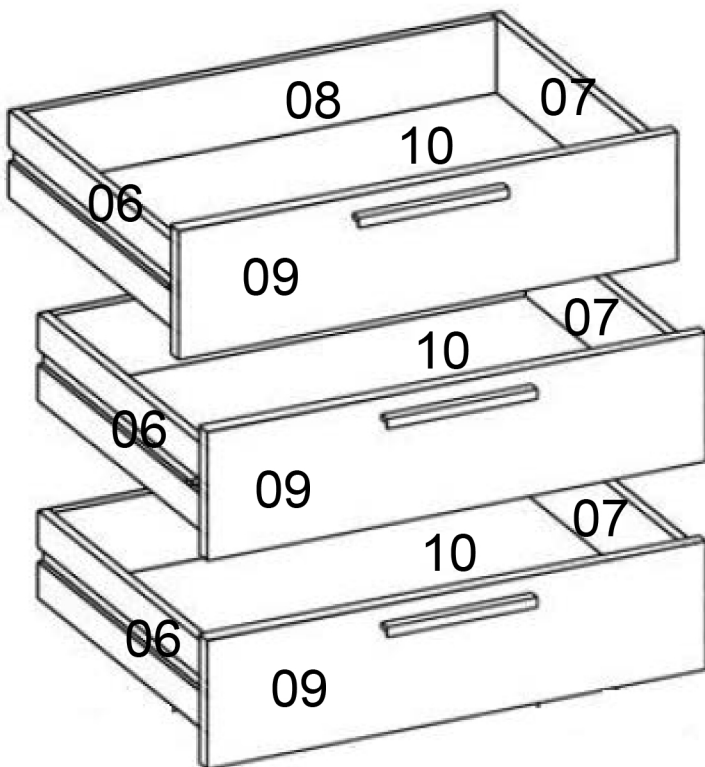
Vario C

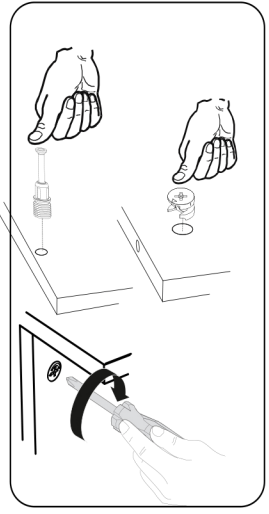
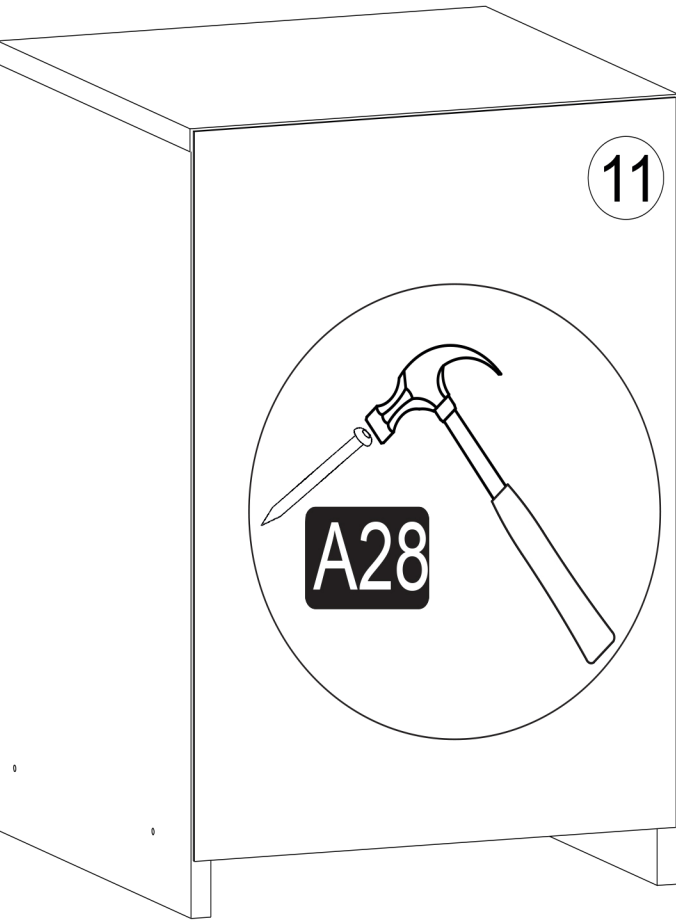
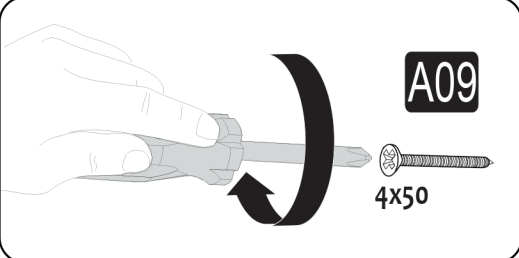
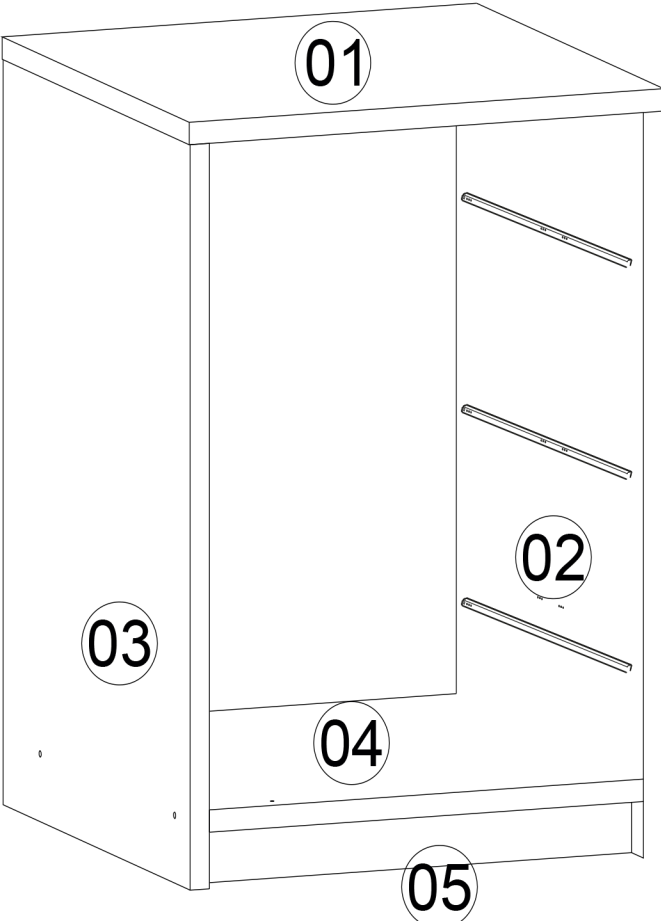
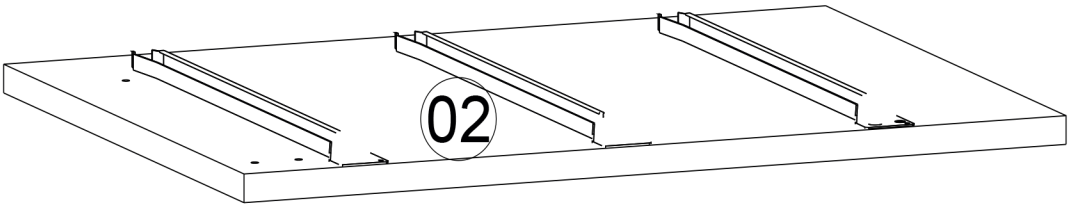
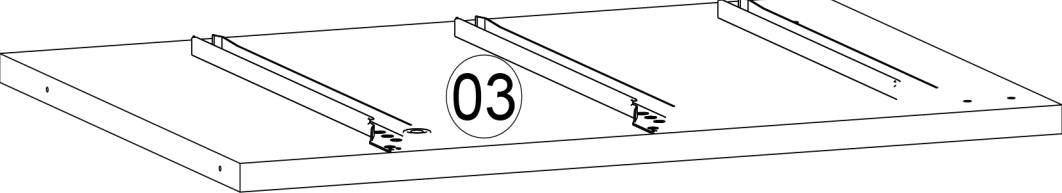


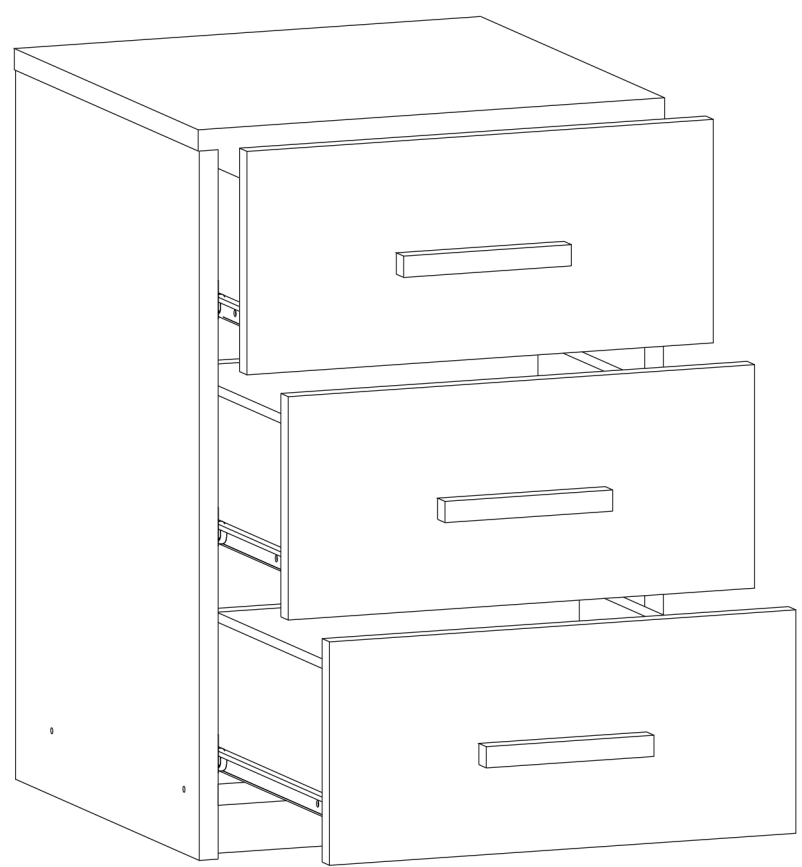
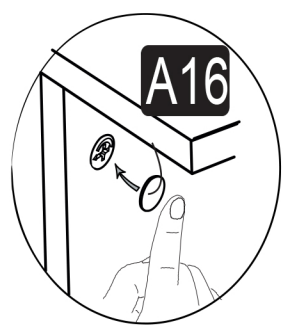
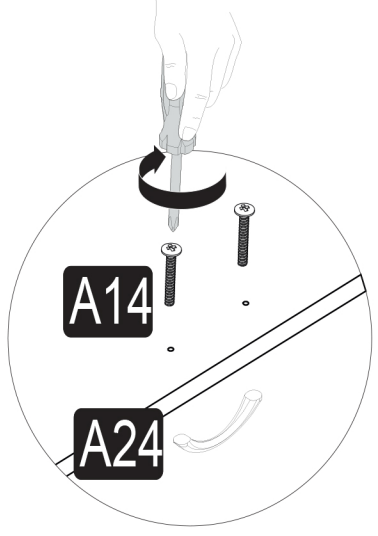
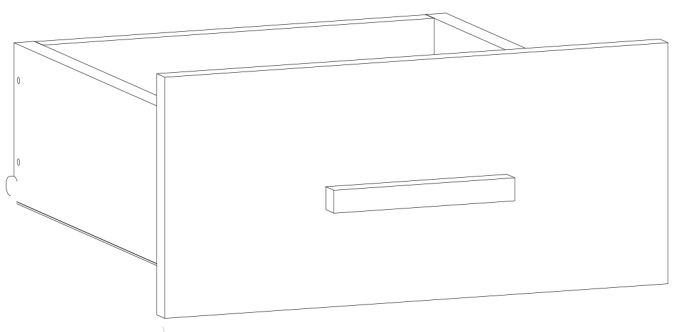
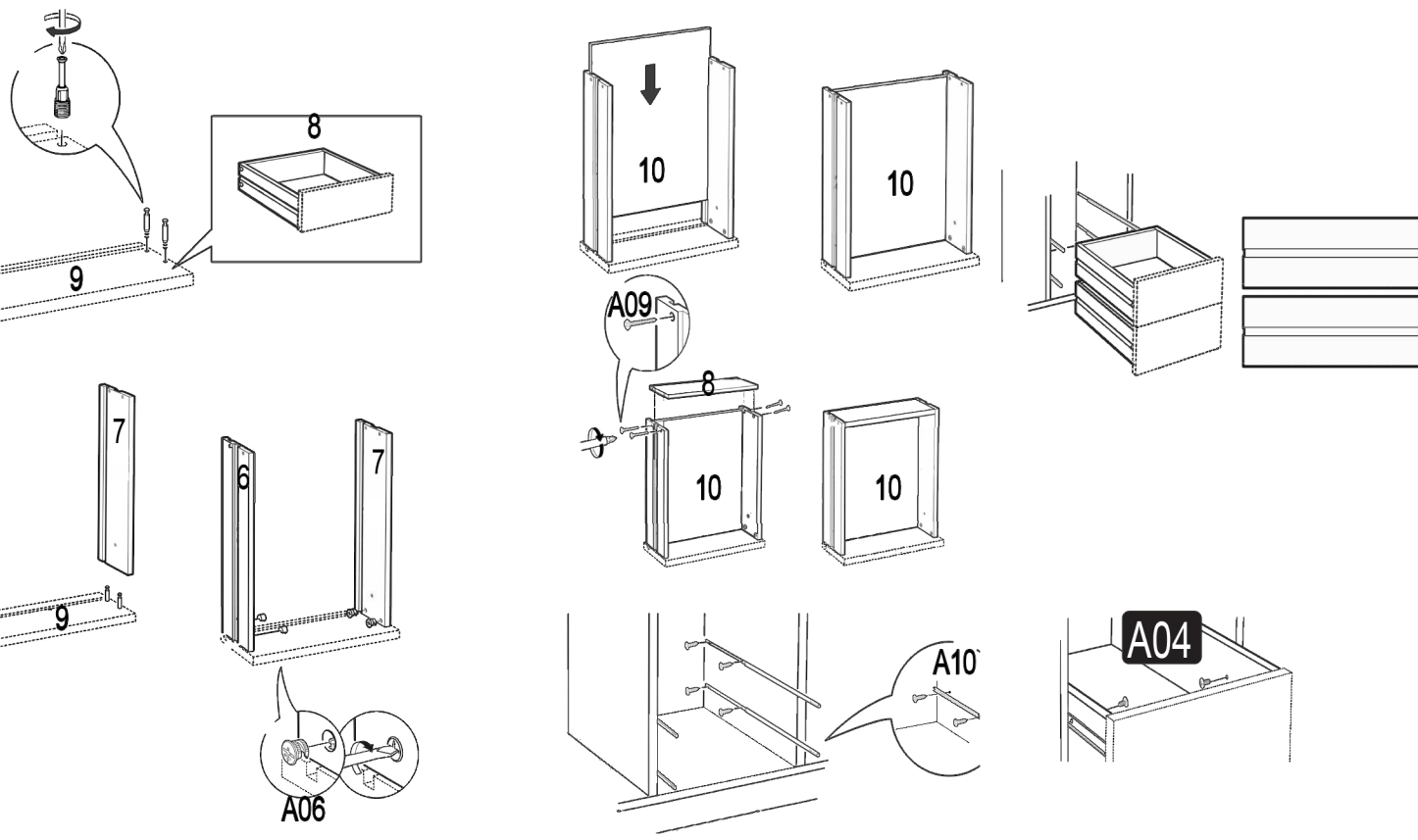
Vario C



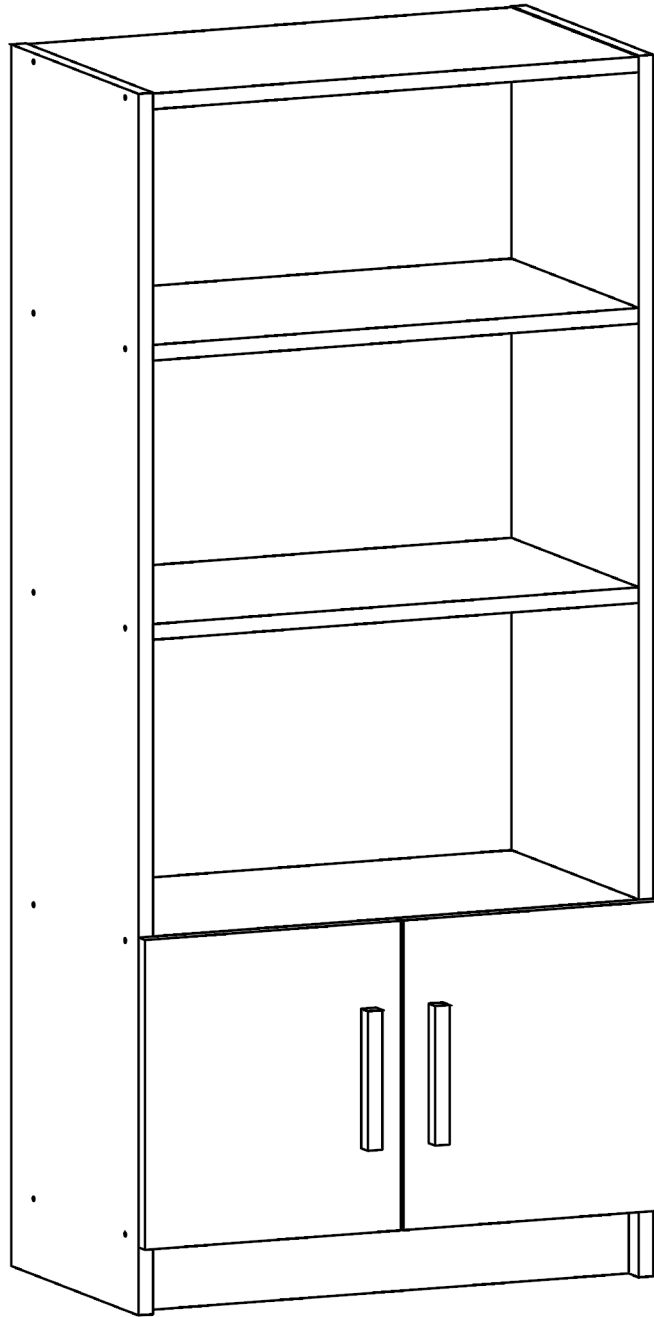
A01  4x	A02  4x	A70  4x	A09 4x50  18x	A10 3,5x18 YHB  14x
A14 M4x22  6x	A16  COLOUR 1 6x COLOUR 2 x	A24 96 mm  3x	A28  15x	A59 35 cm Ray  6x
A03  4x	A04 4x10  6x	A05  12x		
A06 Mini Minifix  12x				




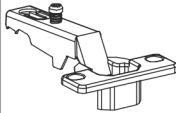
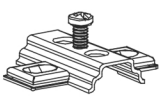





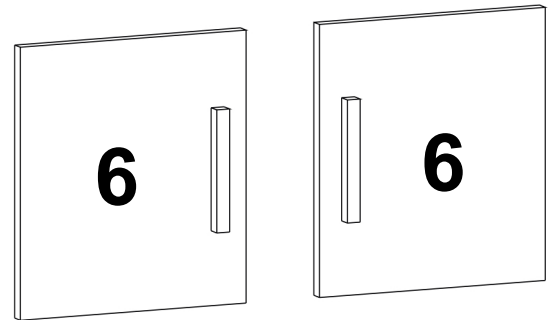
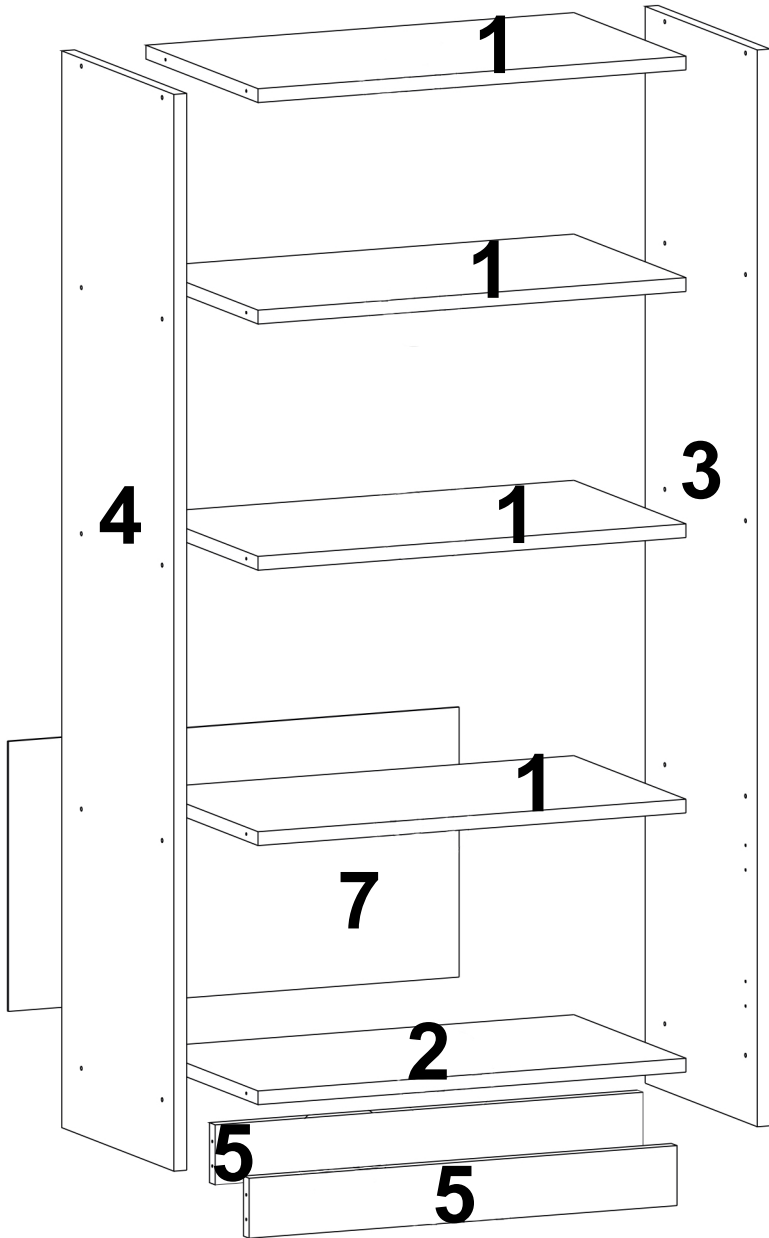


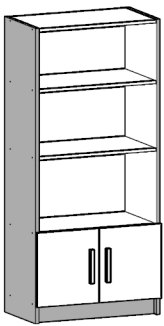


VO4



 B0301 x16	 B0304 x24	 B0307 x4	 B0101 x4	 B0105 x4
 B0318 x30	 COLOR 1 x24 COLOR 2	 B0205 x2		

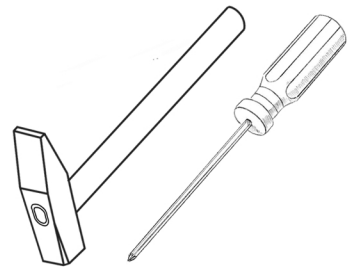




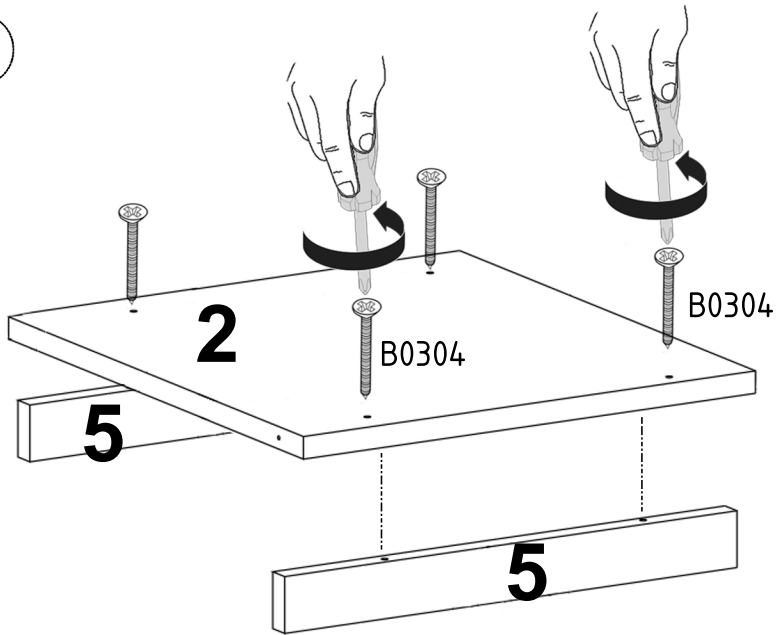
B0304



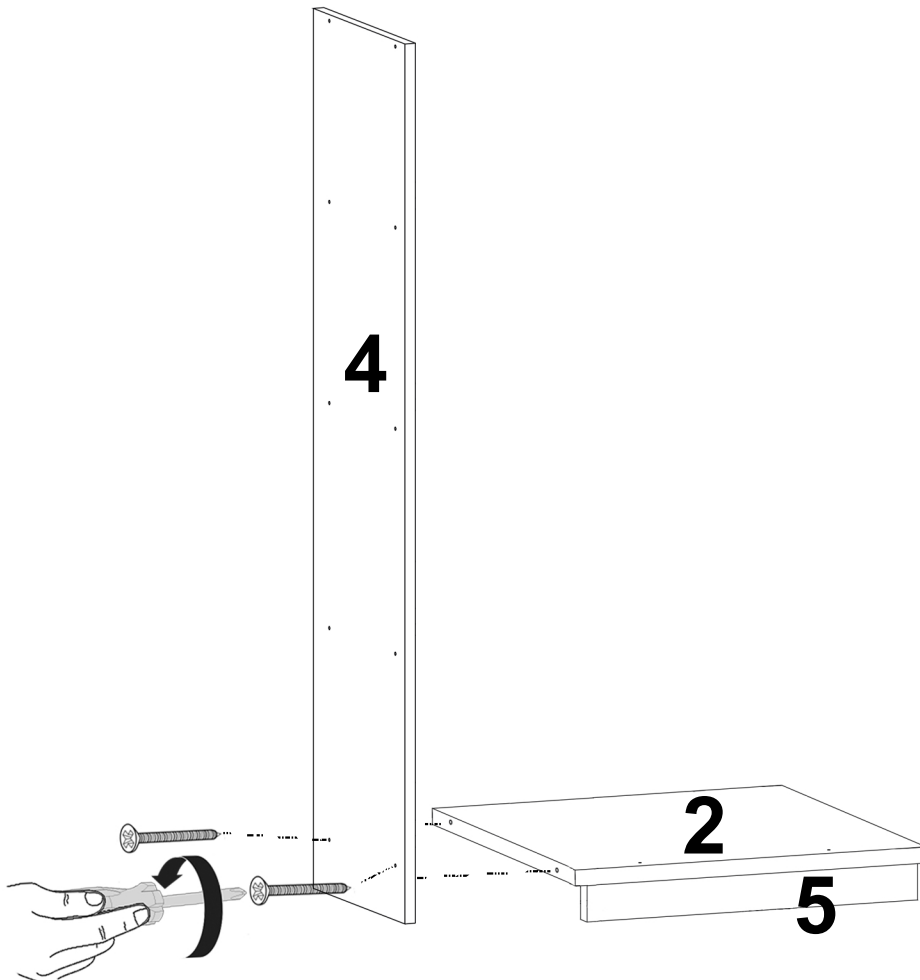
x6



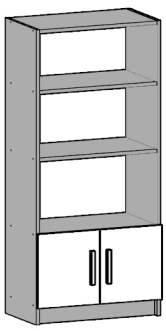
1



2



3

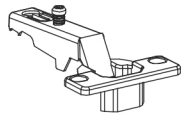


B0304



x18

B0101



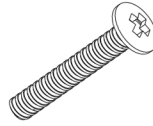
x4

B0301



x8

B0307

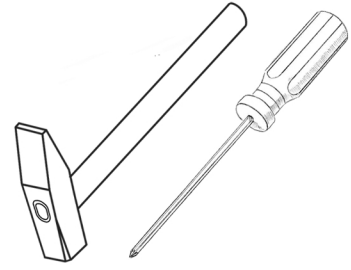


x4

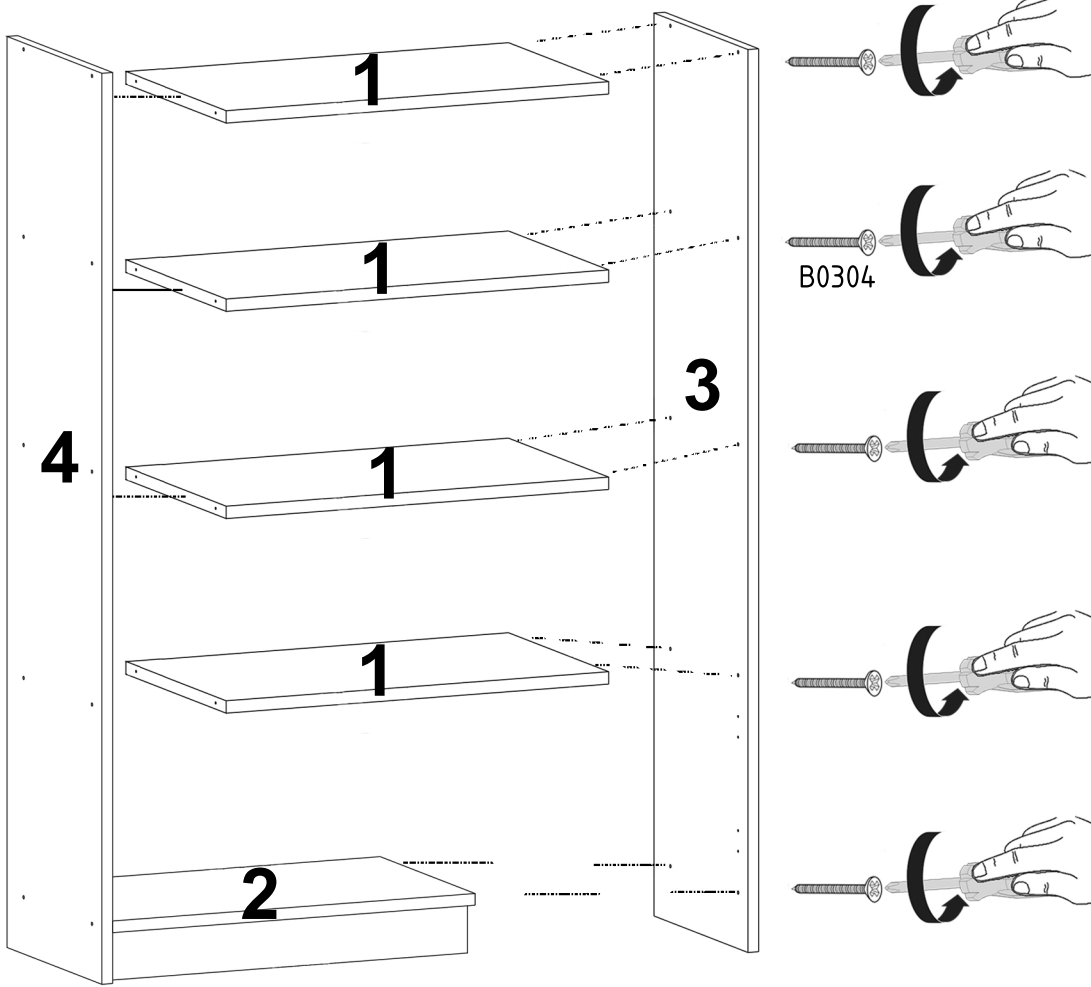
B0205



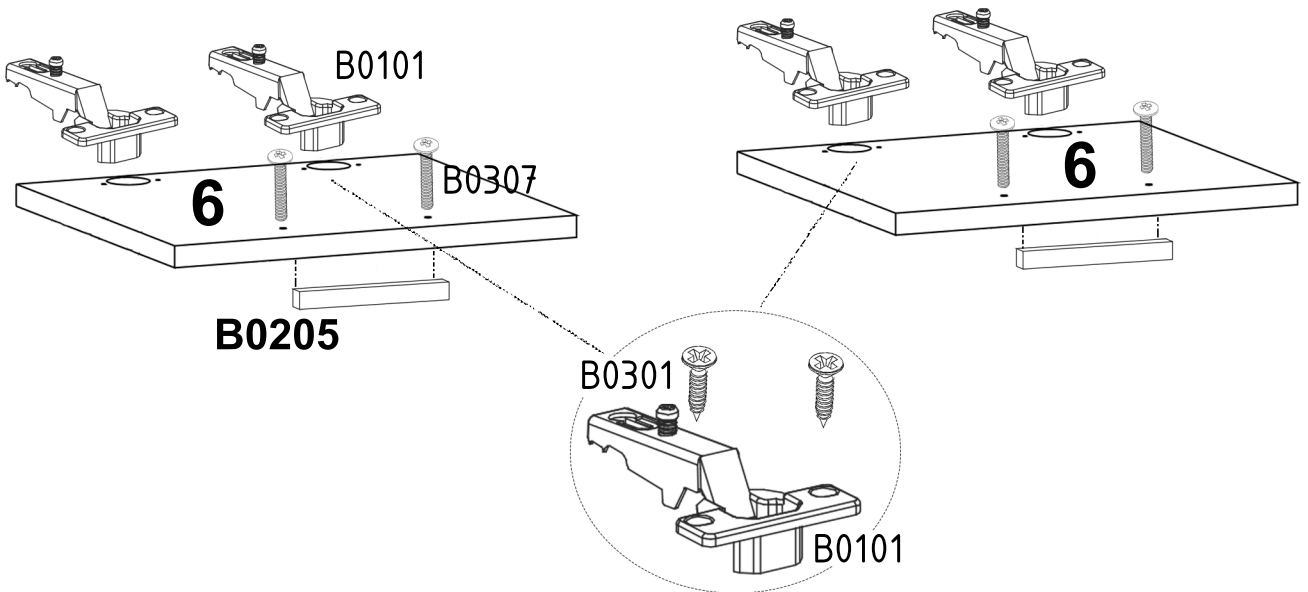
x2

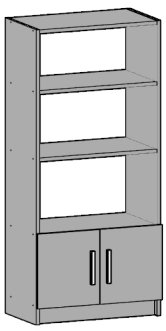


3

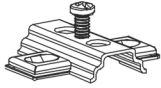


4





B0105



x4

B0301

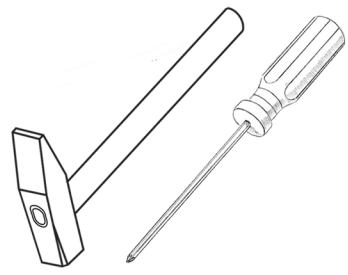


x8

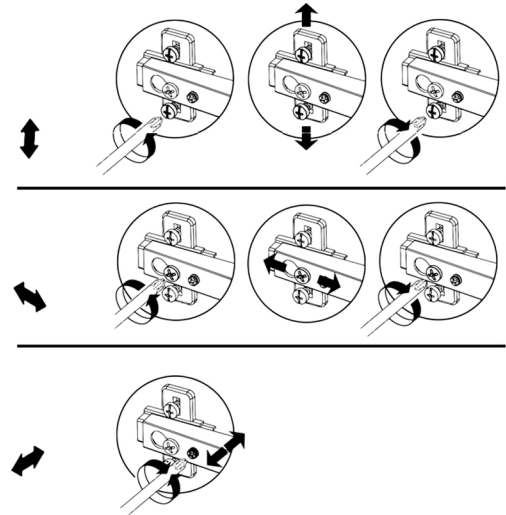
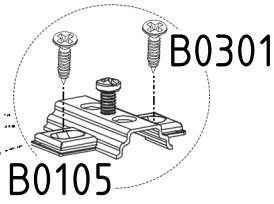
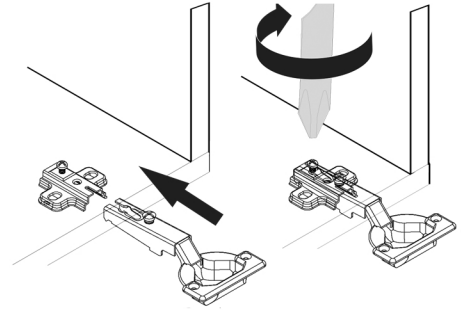
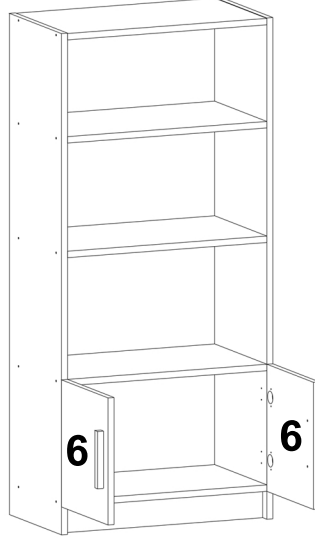
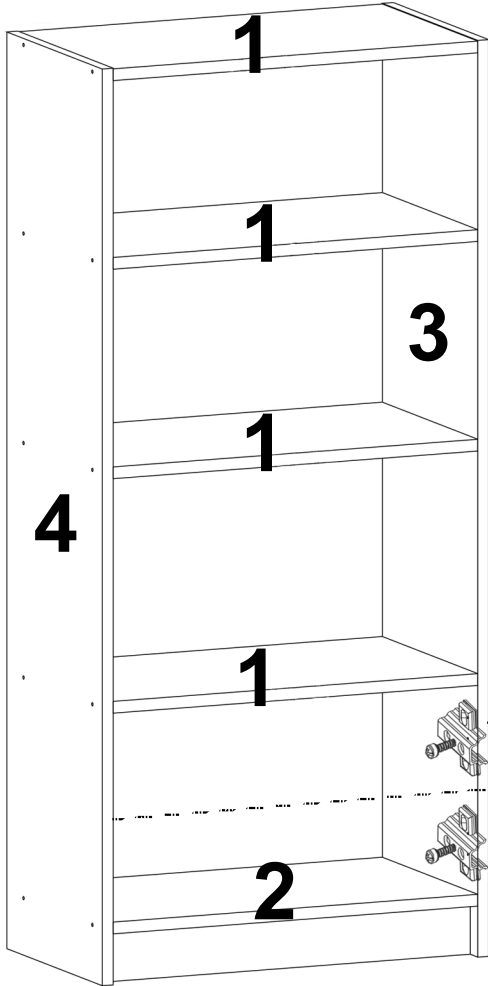
B0318



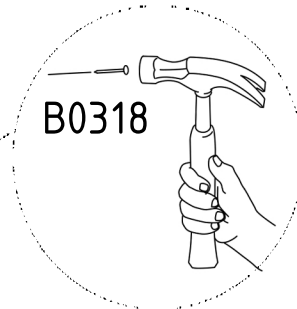
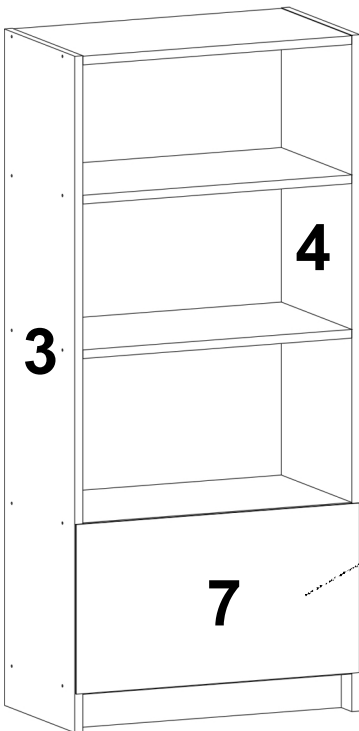
x30



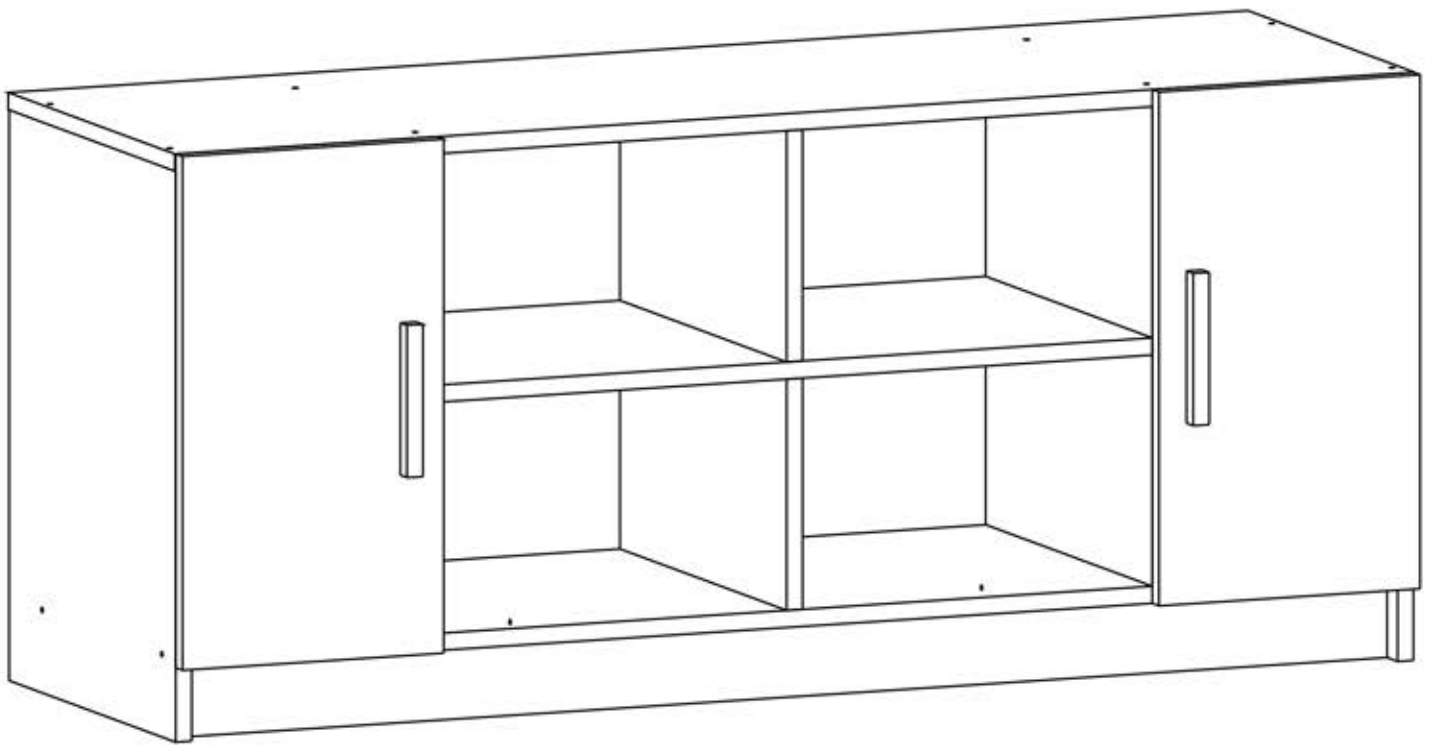
5














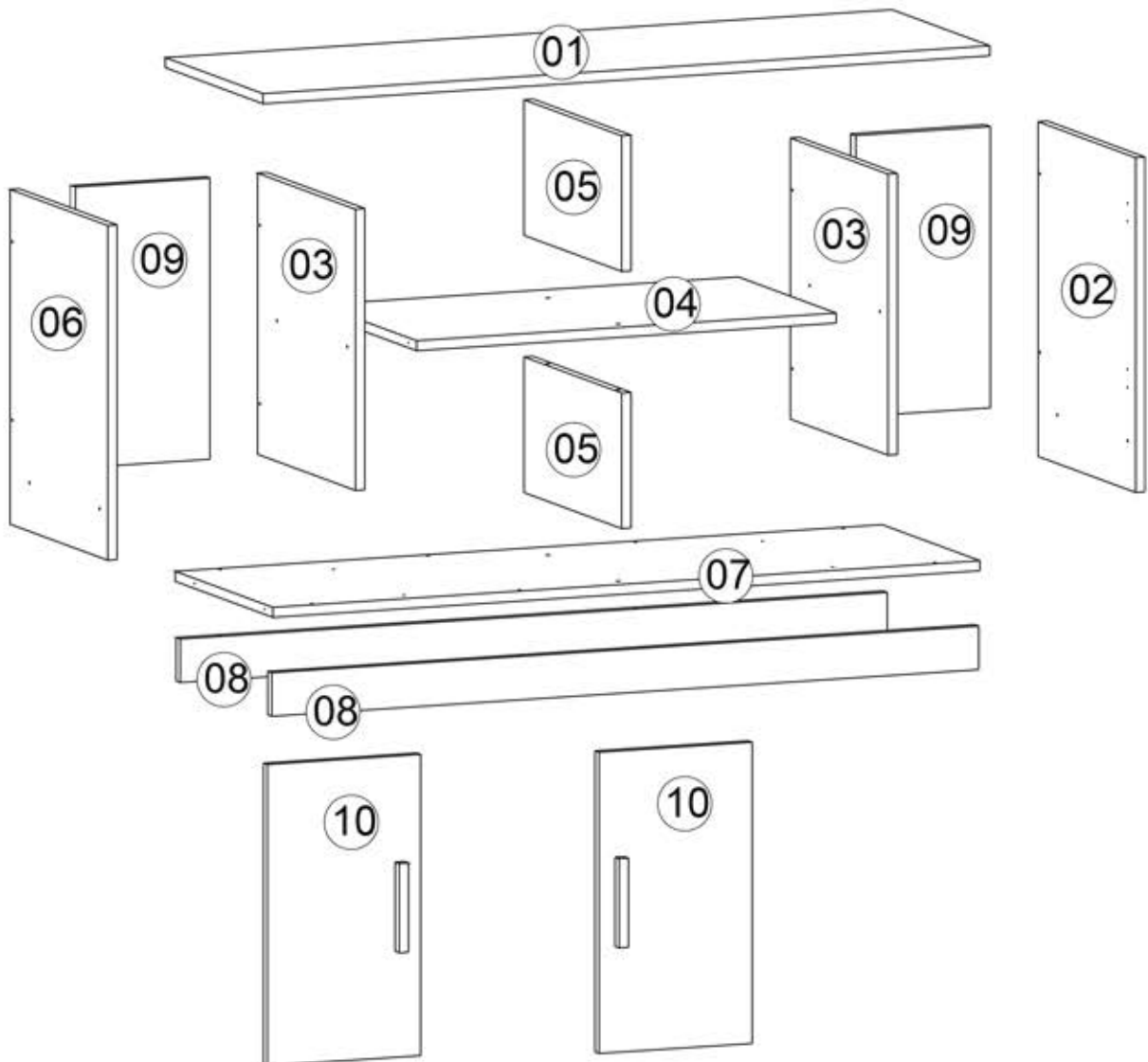
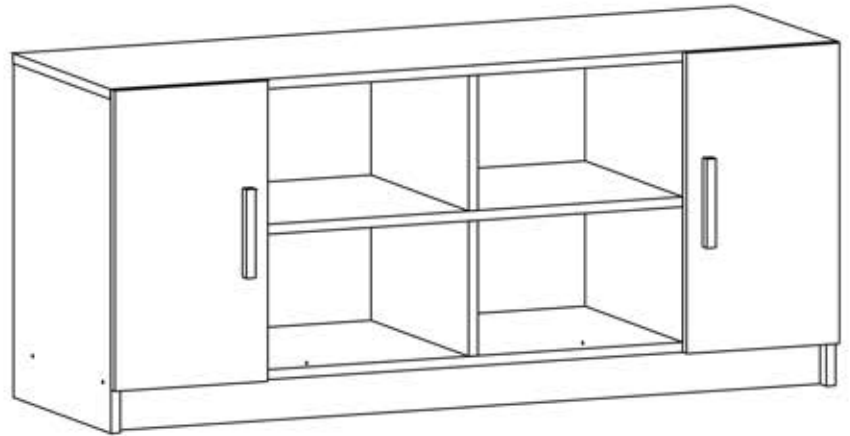
6

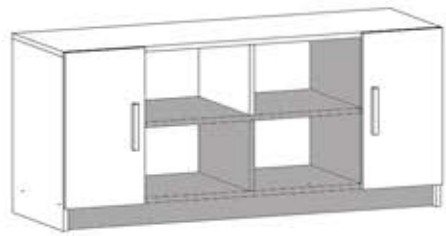


VO6



 B0501 x8	 B0502 x8	 B0503 x16	 B0504 x8	 B0301 x16
 B0304 x28	 B0307 x4	 B0205 x2	 B0105 x4	 B0101 x4
 COLOR1 x8 COLOR2 x				





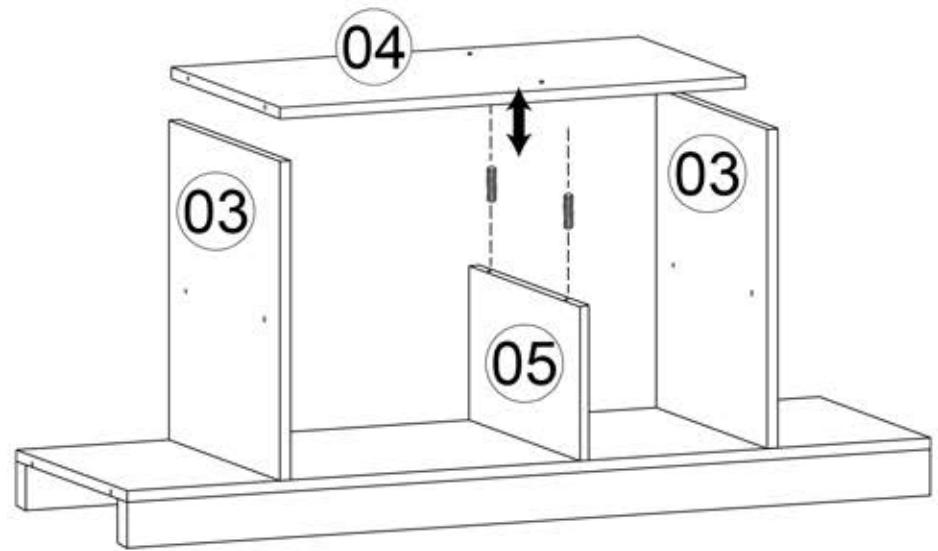
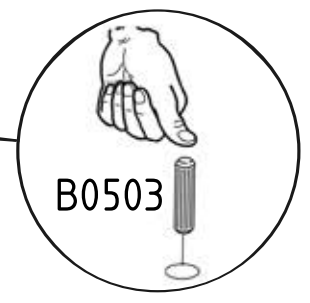
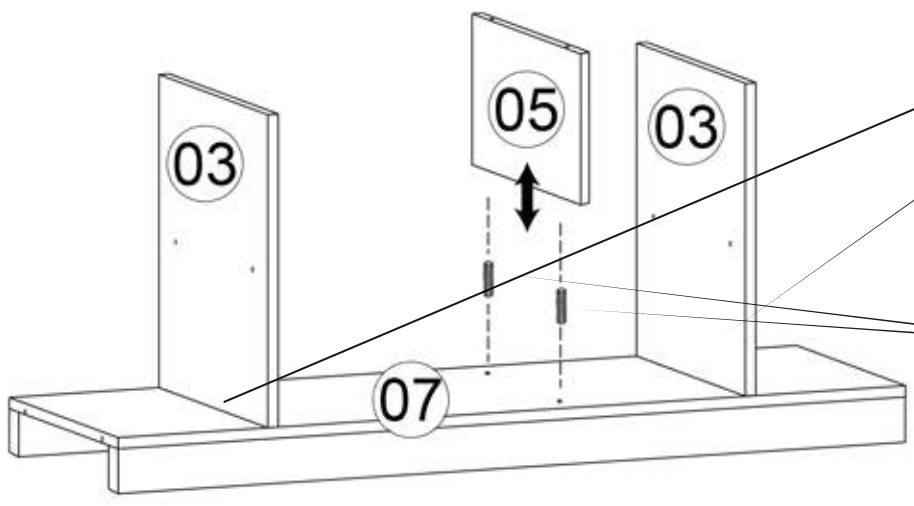
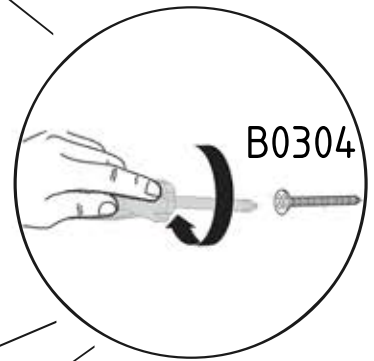
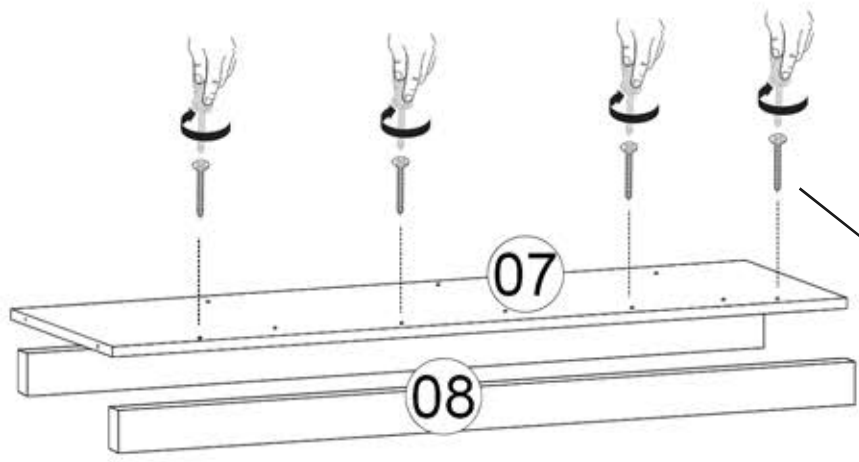
B0304 B0503

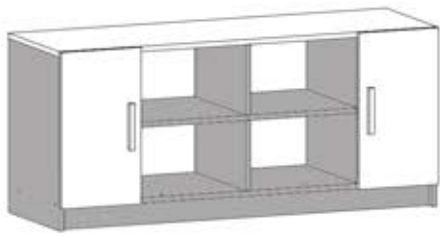


x16



x4





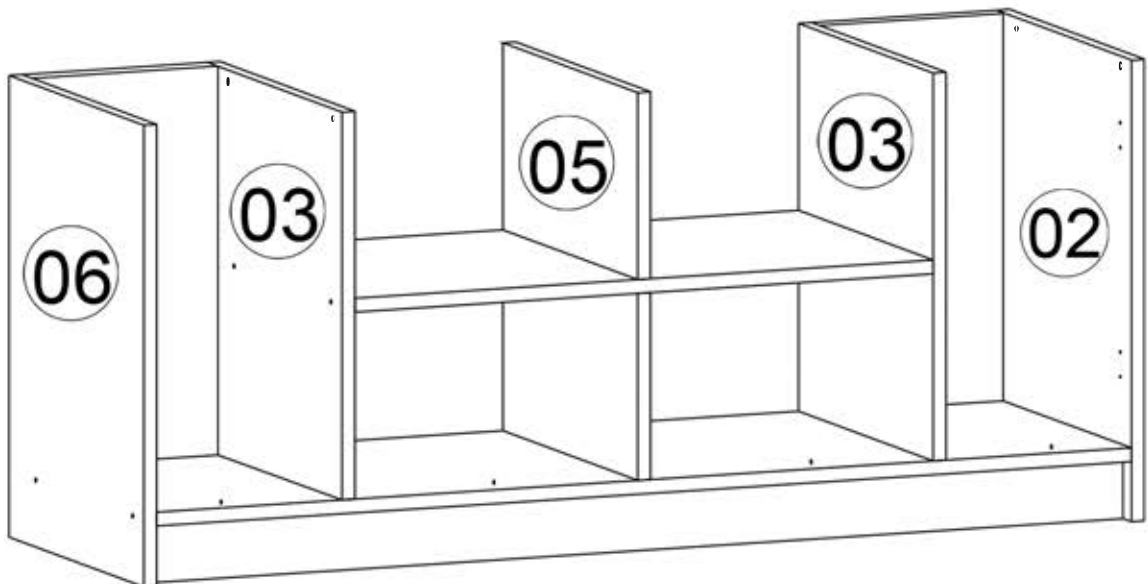
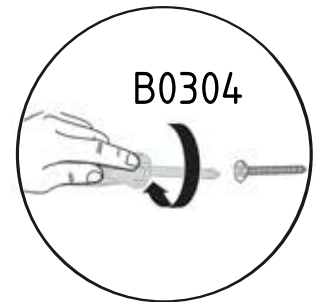
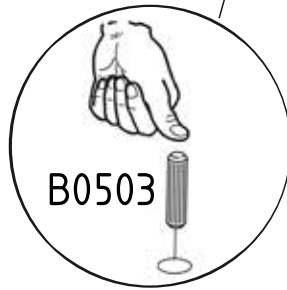
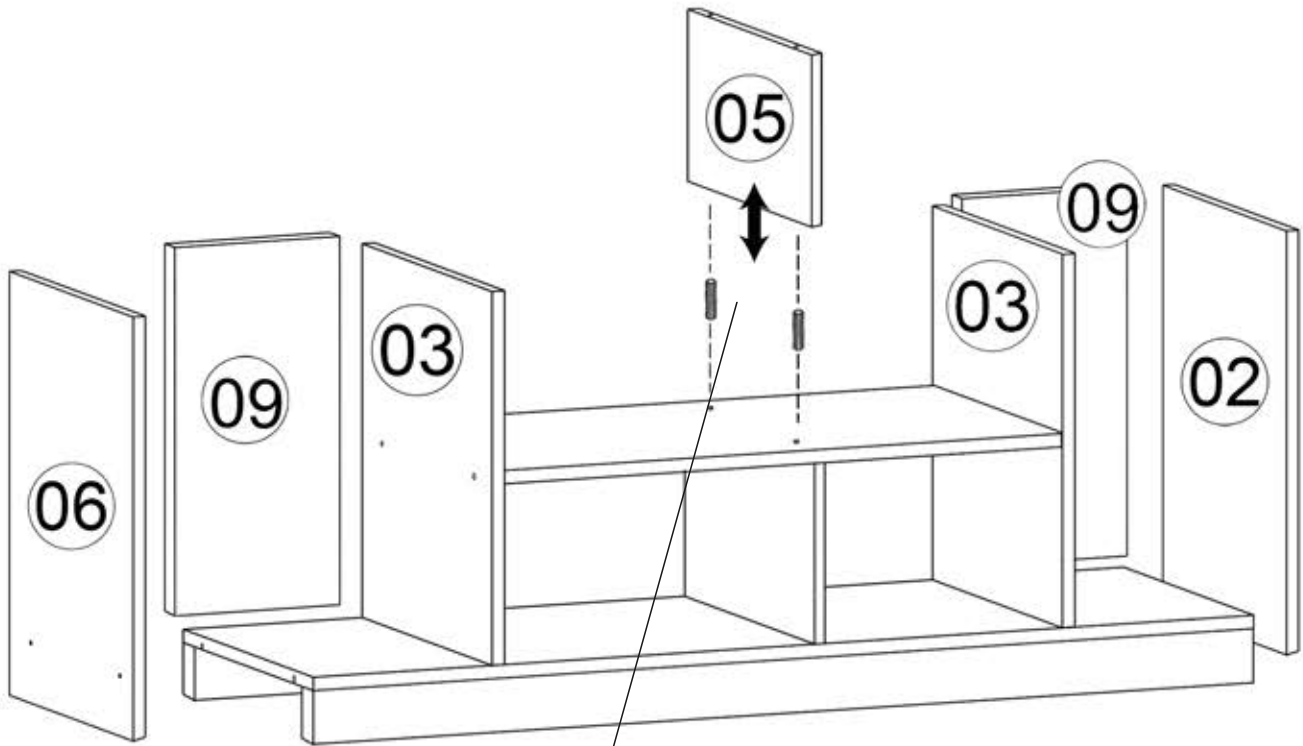
B0304

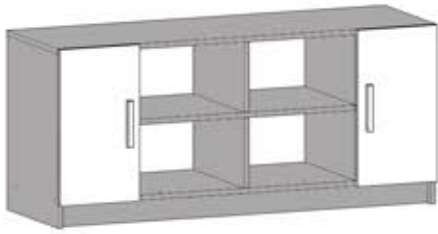
B0503



x12

x2





B0501 B0502 B0503 B0504

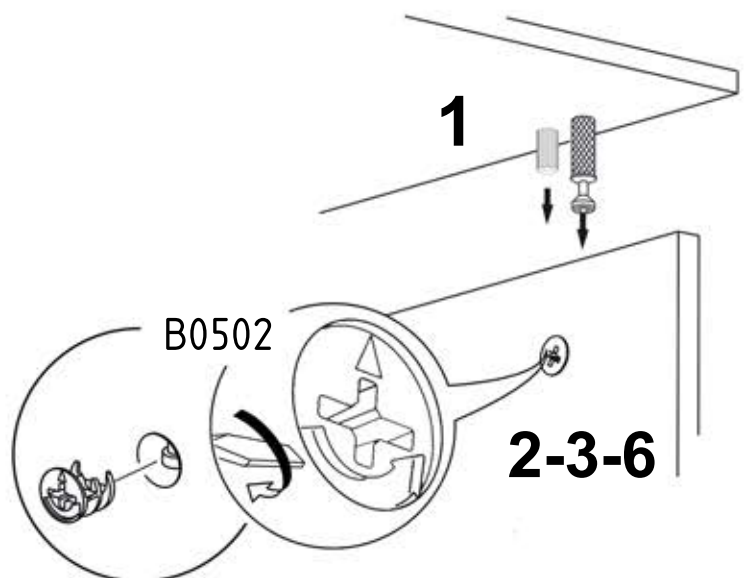
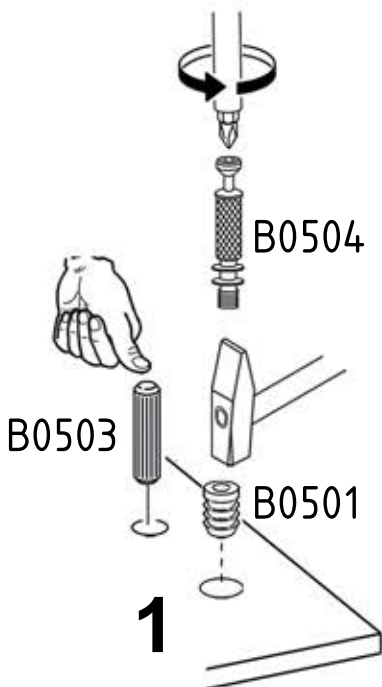
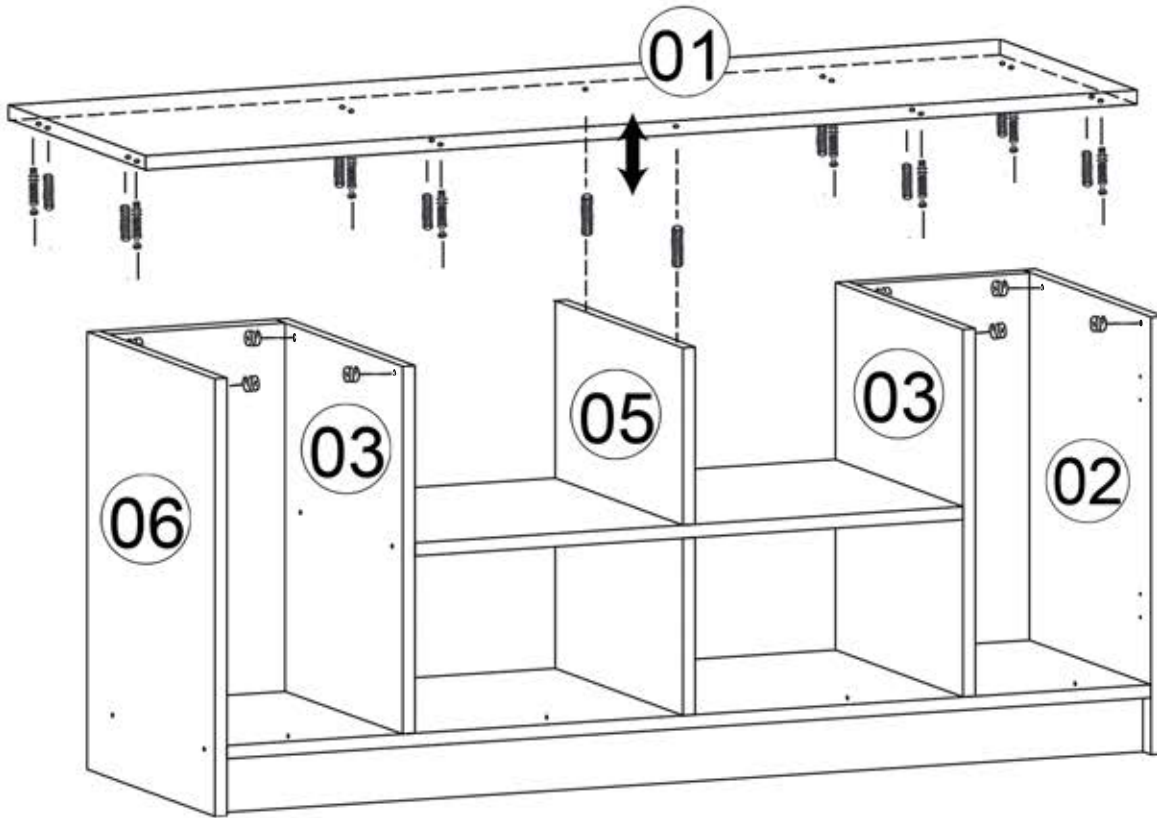


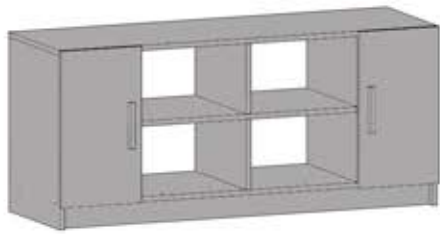
x8

x8

x10

x8





B0301 B0101 B0105 B0307 B0205



x16 x4 x4 x4 x2

