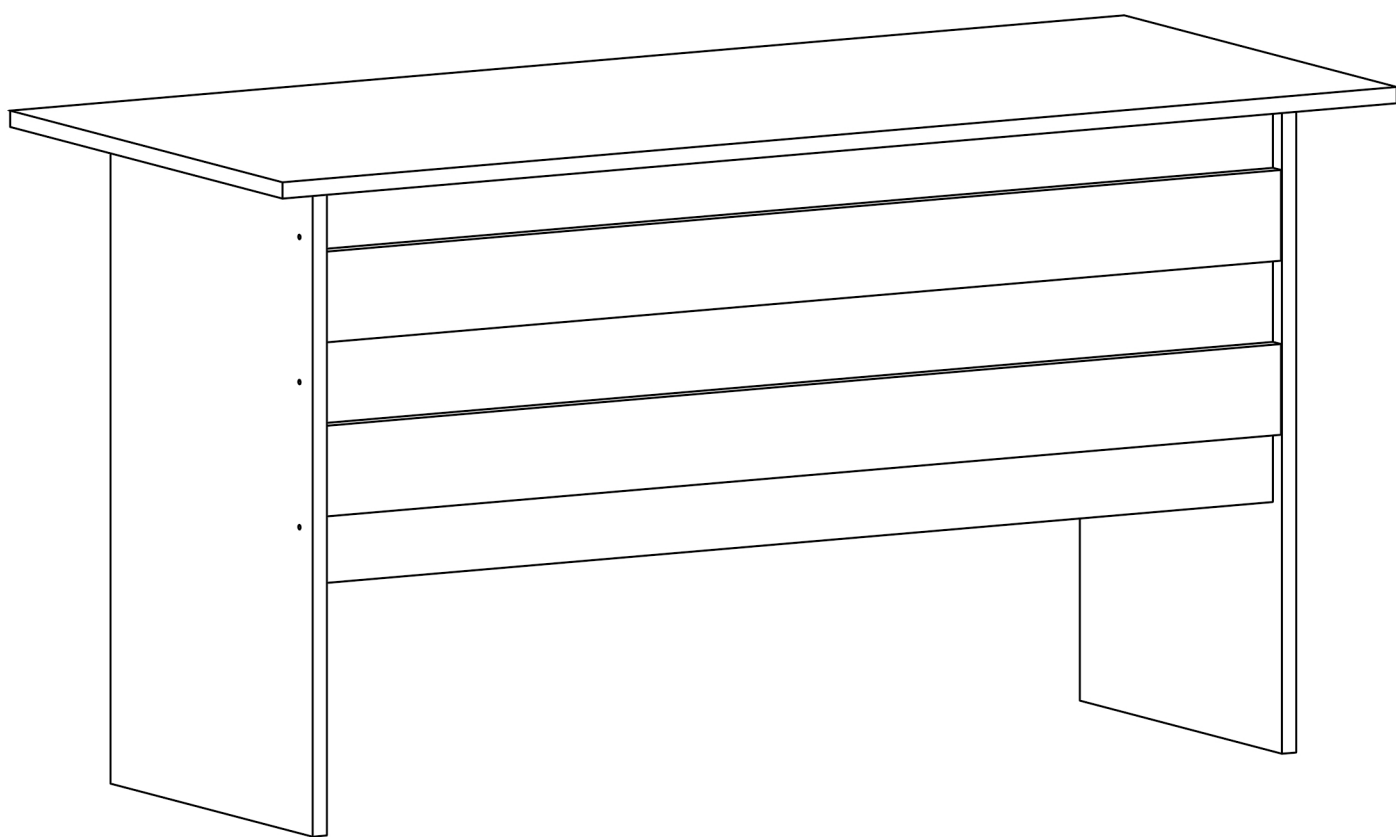


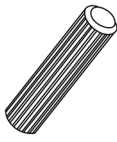
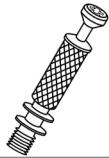



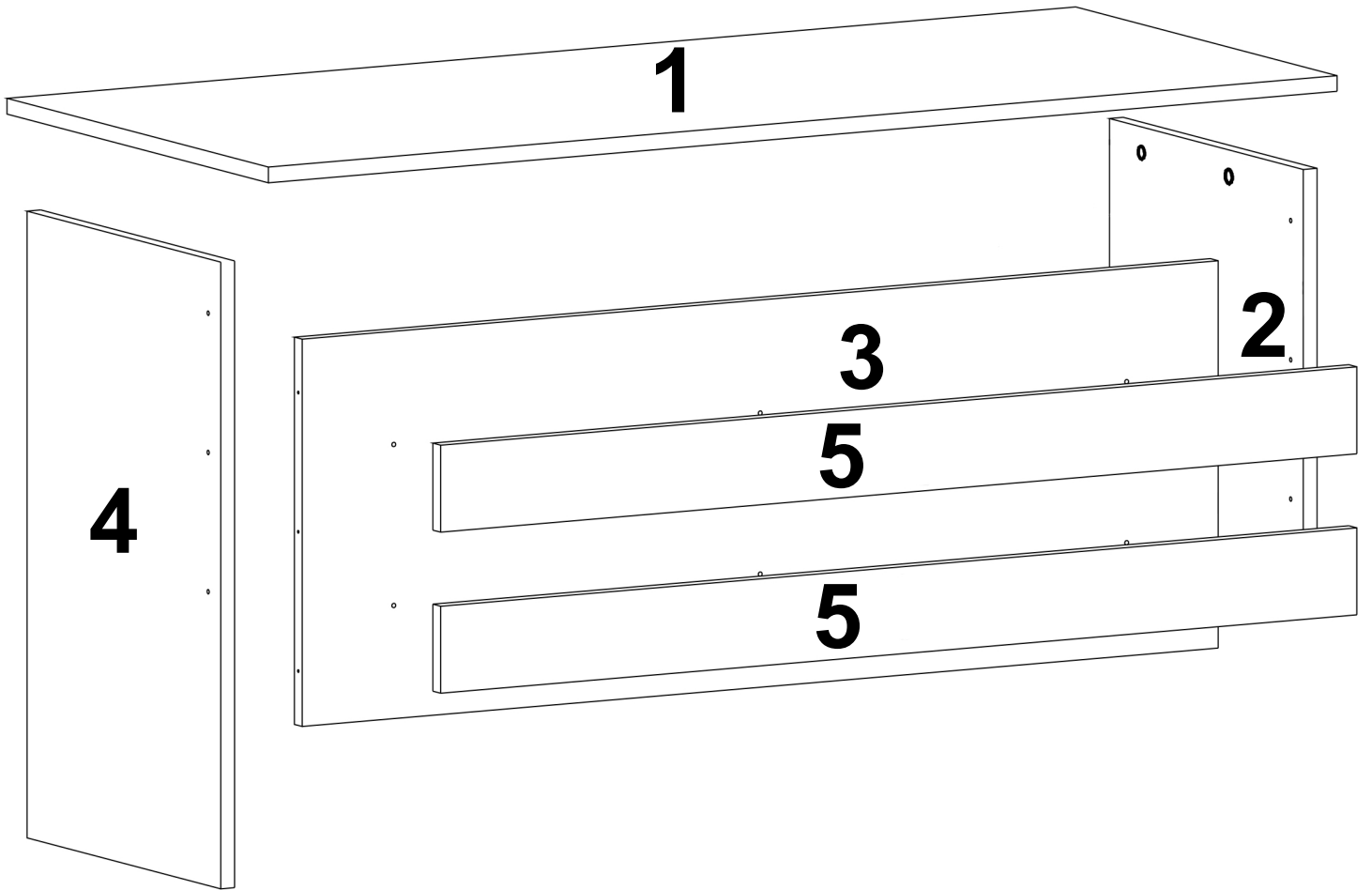


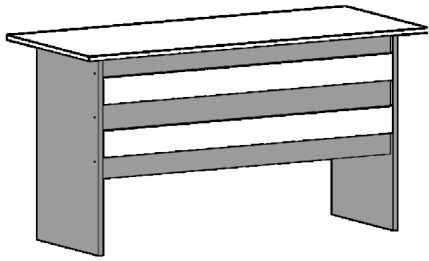
# VO1



 <p>B0501 x4</p>	 <p>B0502 x4</p>	 <p>B0503 x4</p>	 <p>B0504 x4</p>	 <p>B0304 x6</p>
 <p>B0303 x6</p>	 <p>COLOR 1 x6 COLOR 2</p>			



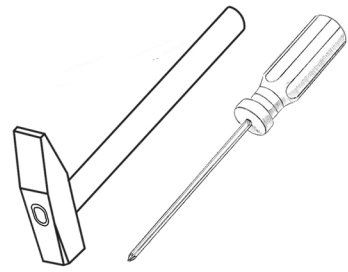




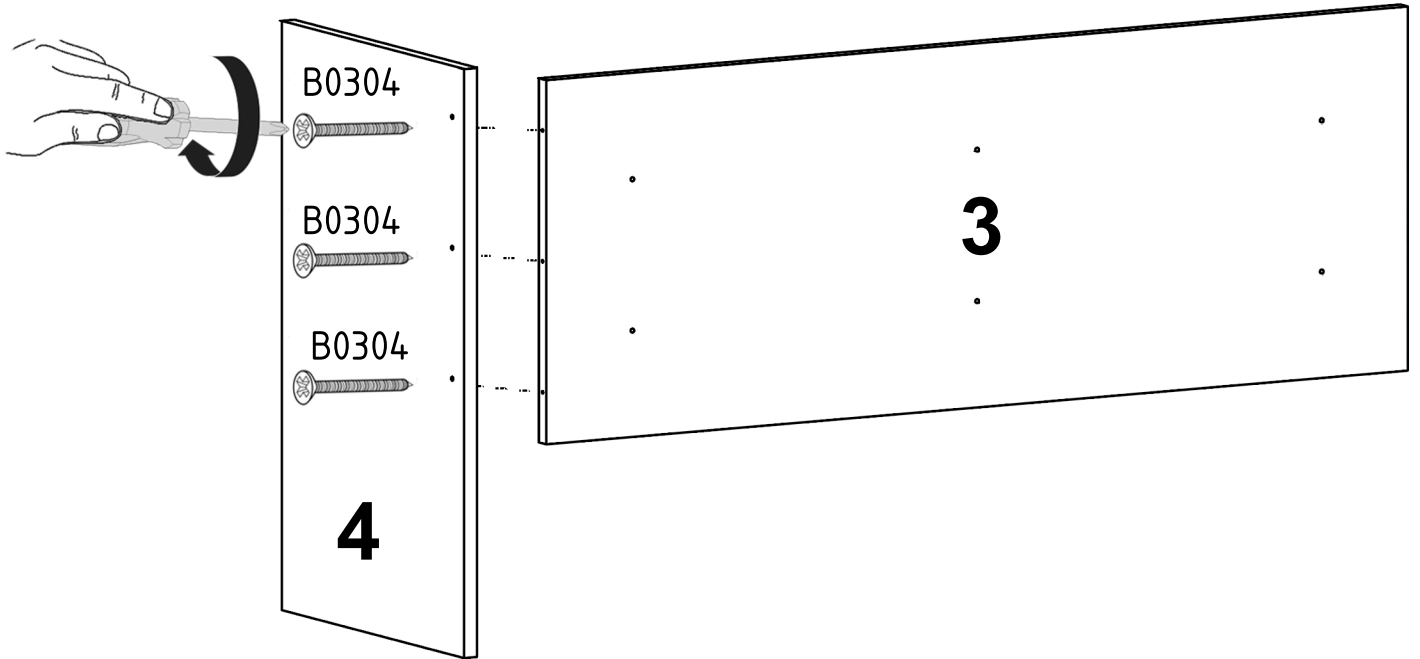
B0304



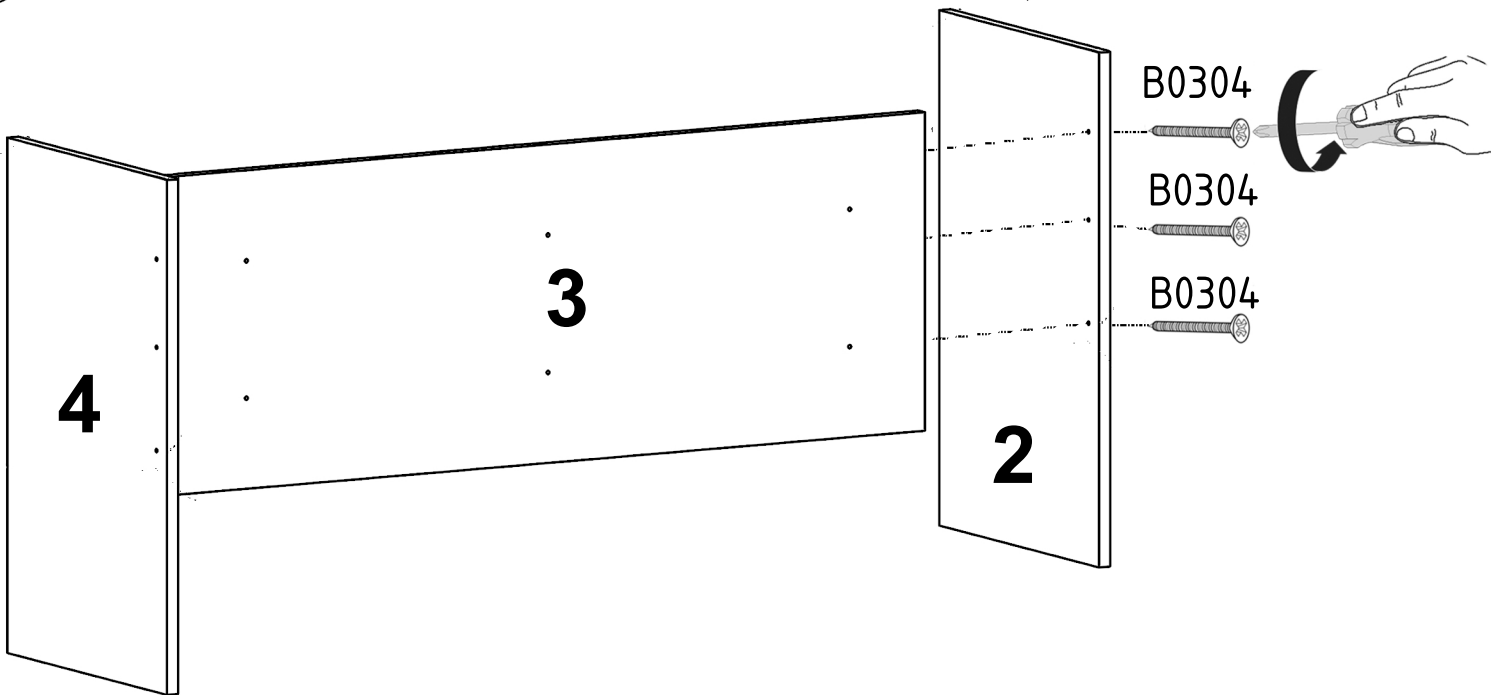
x6

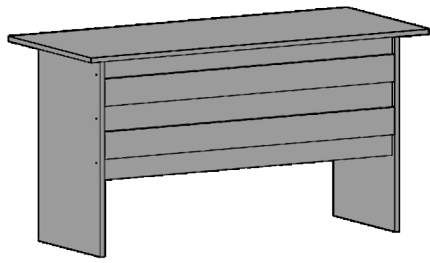


1



2





B0303



x6

B0502



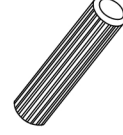
x4

B0501



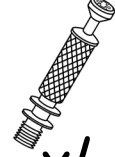
x4

B0503

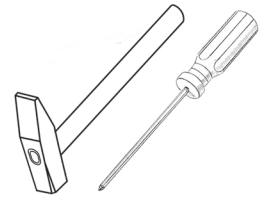


x4

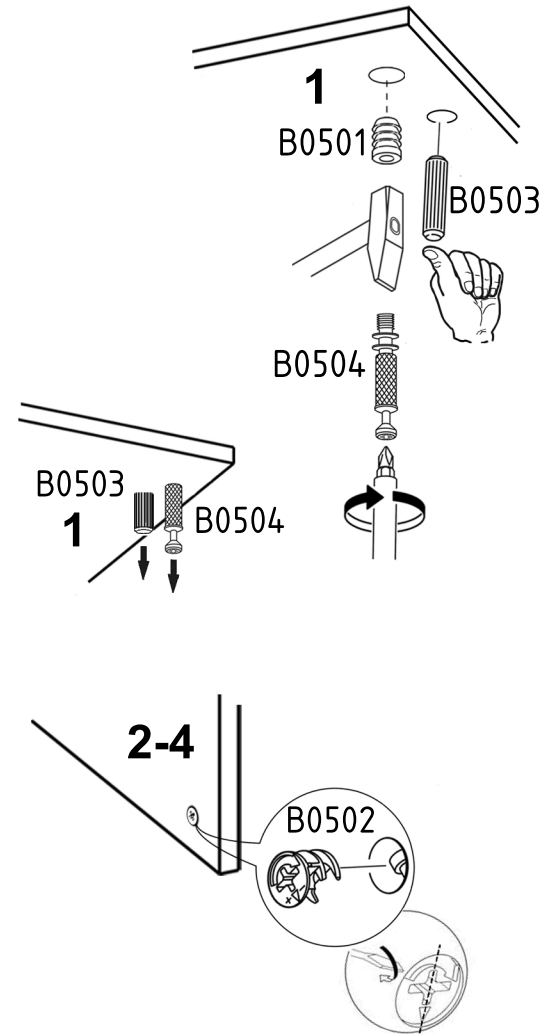
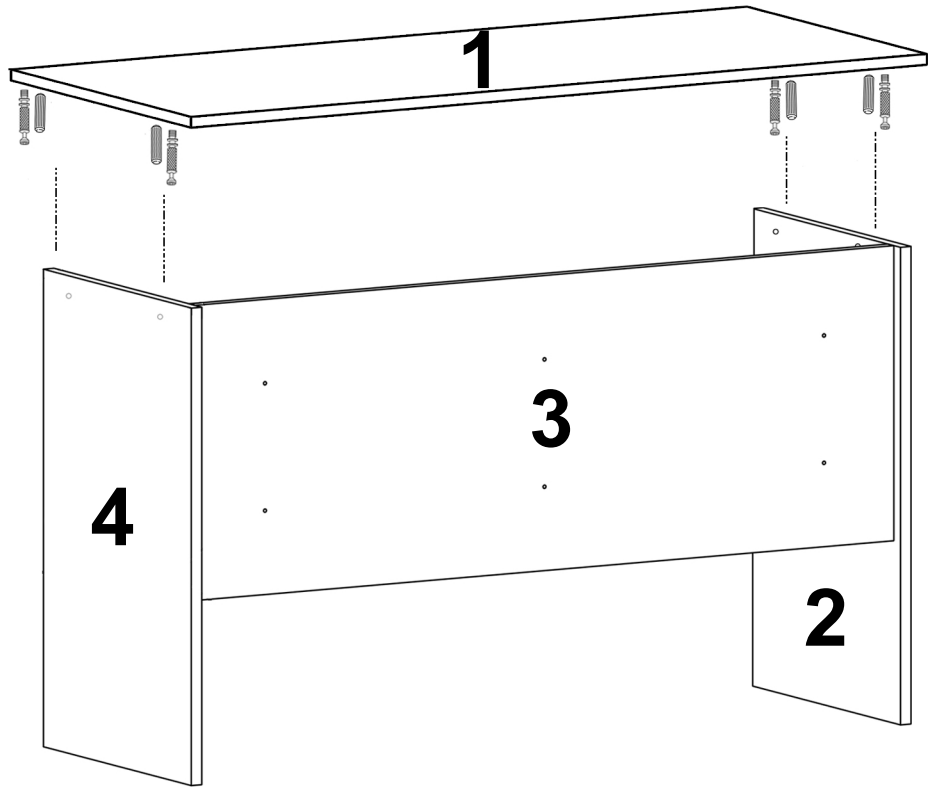
B0504



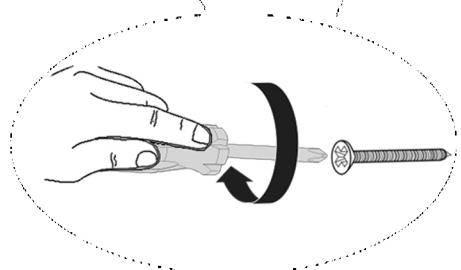
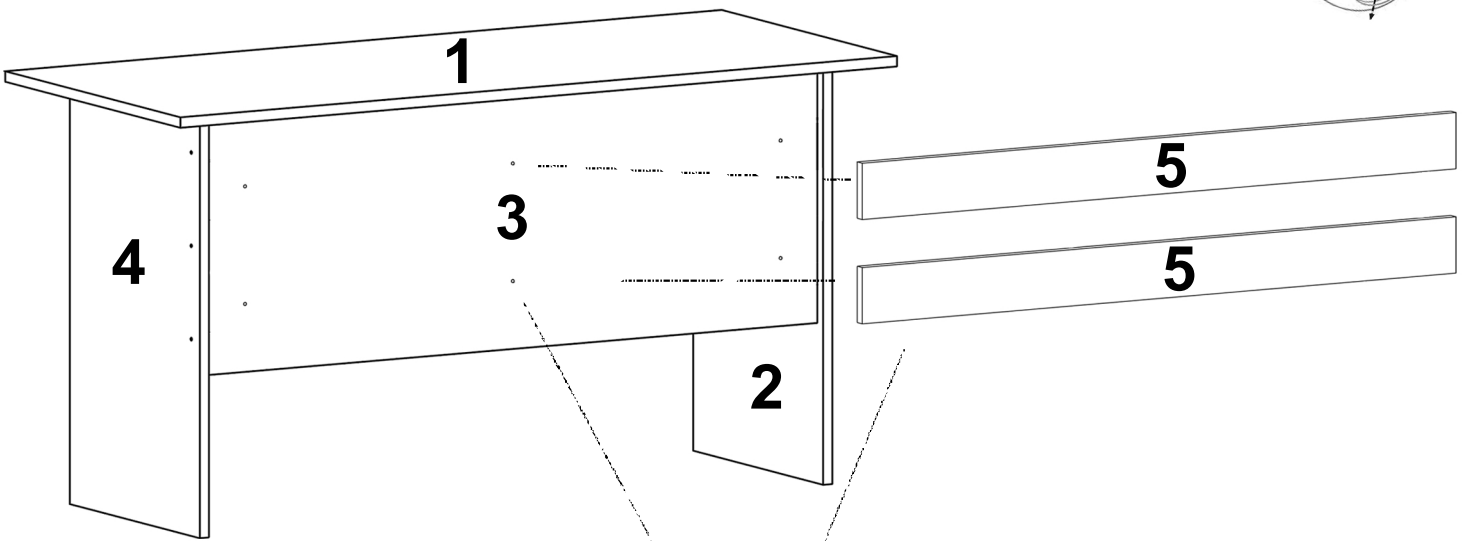
x4



3

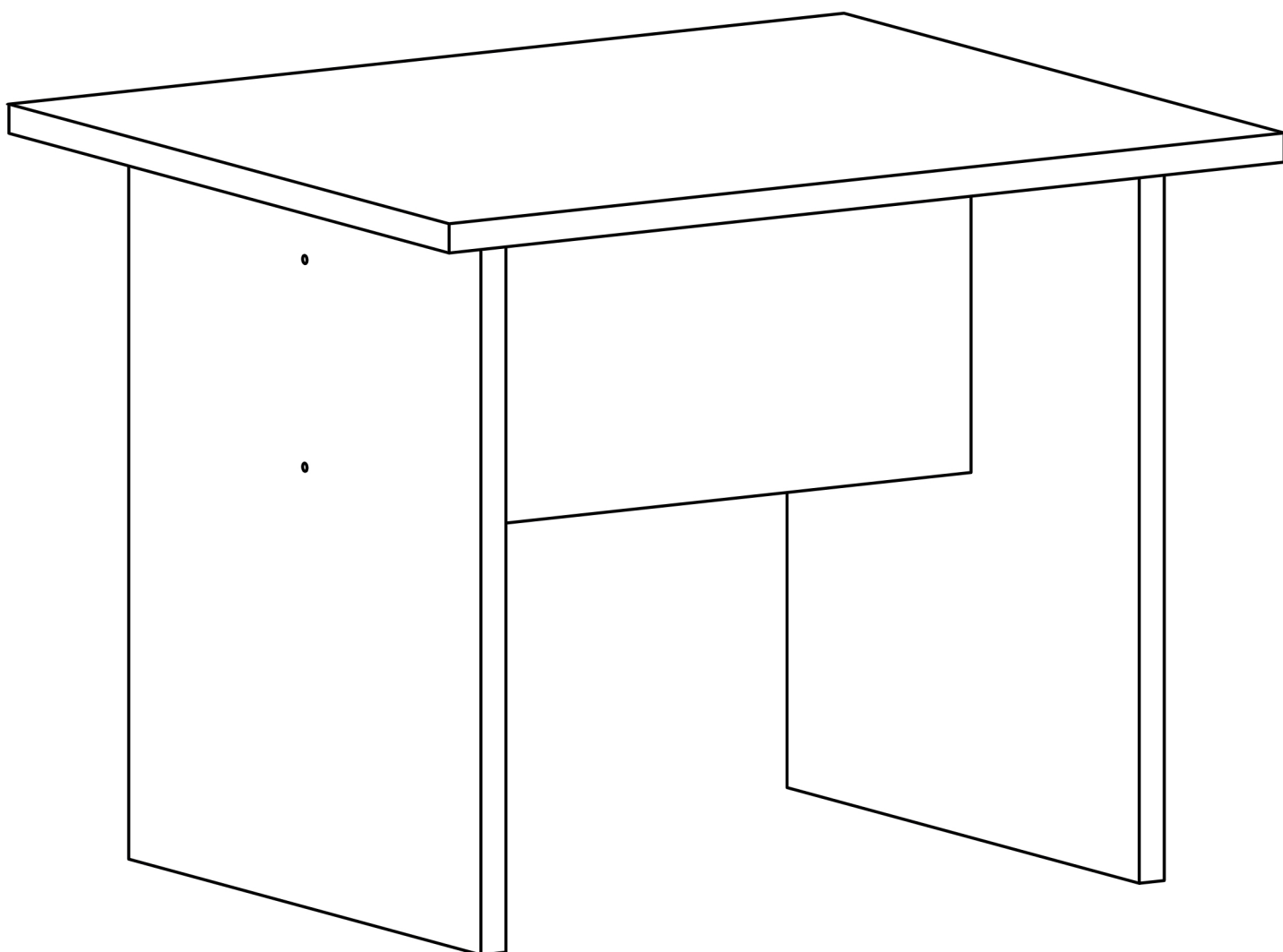


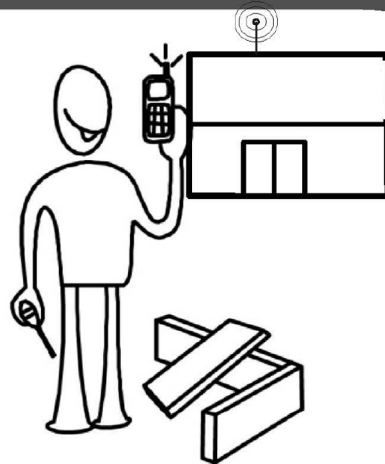
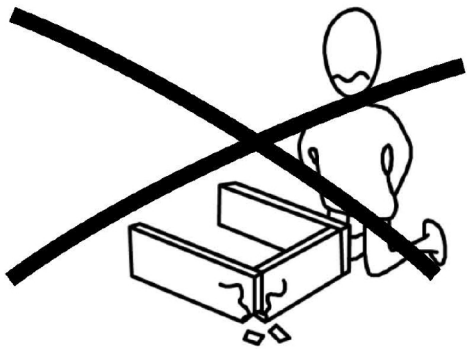
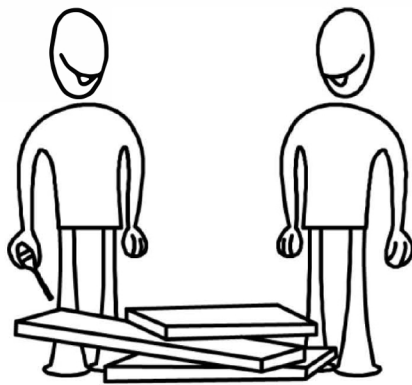
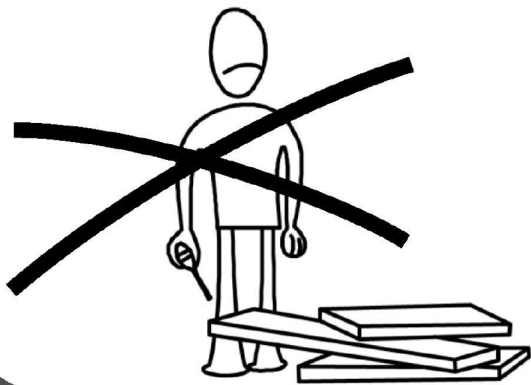
4

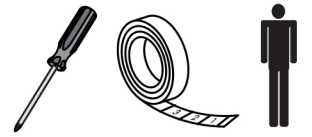






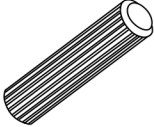
# Vario B

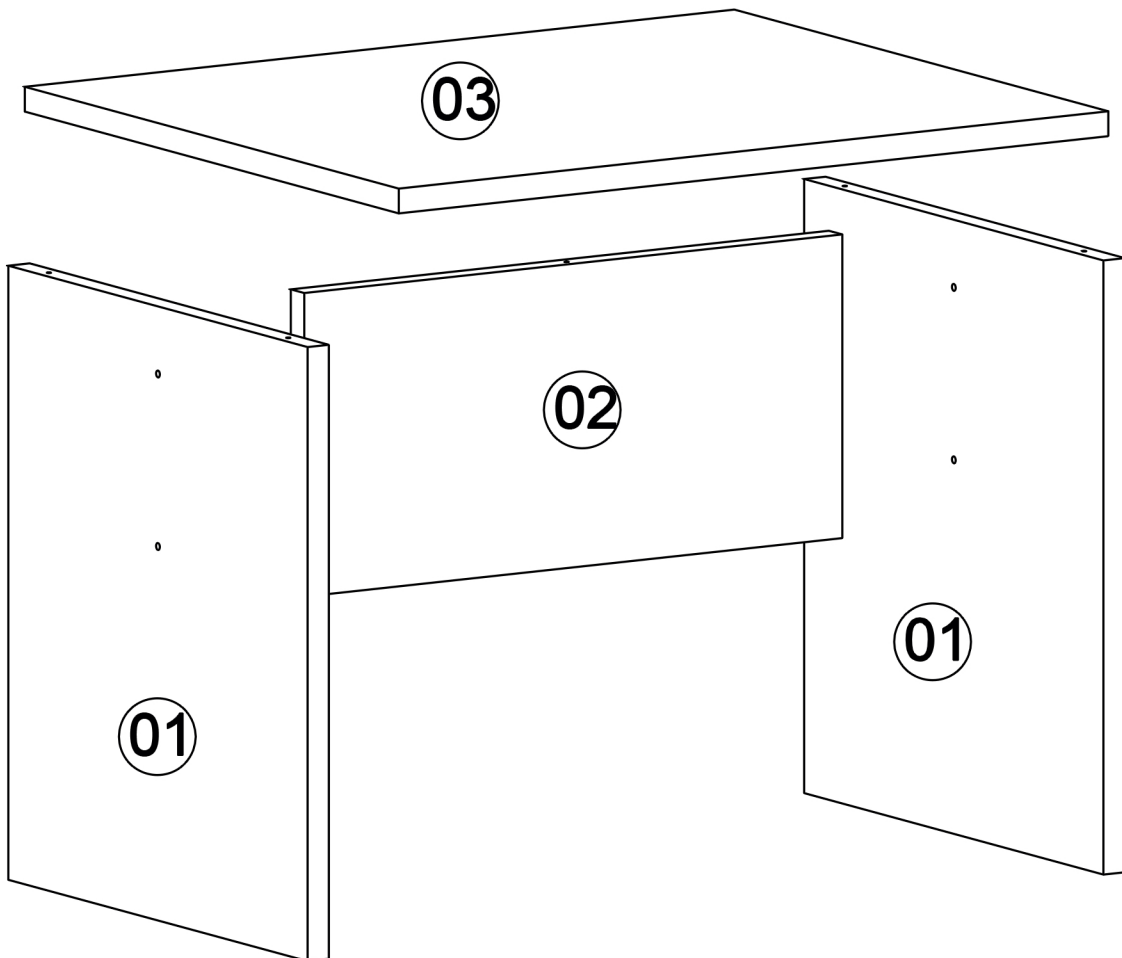
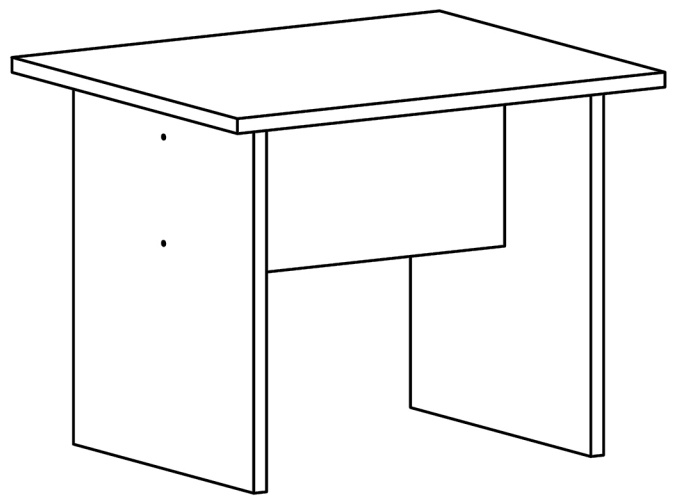
---

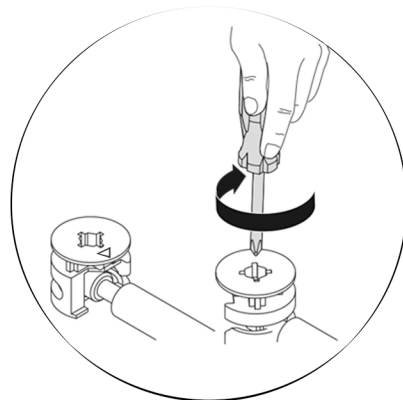
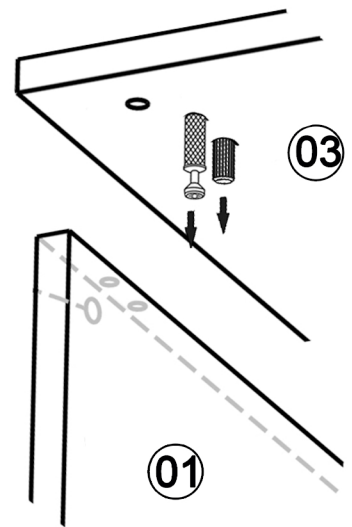
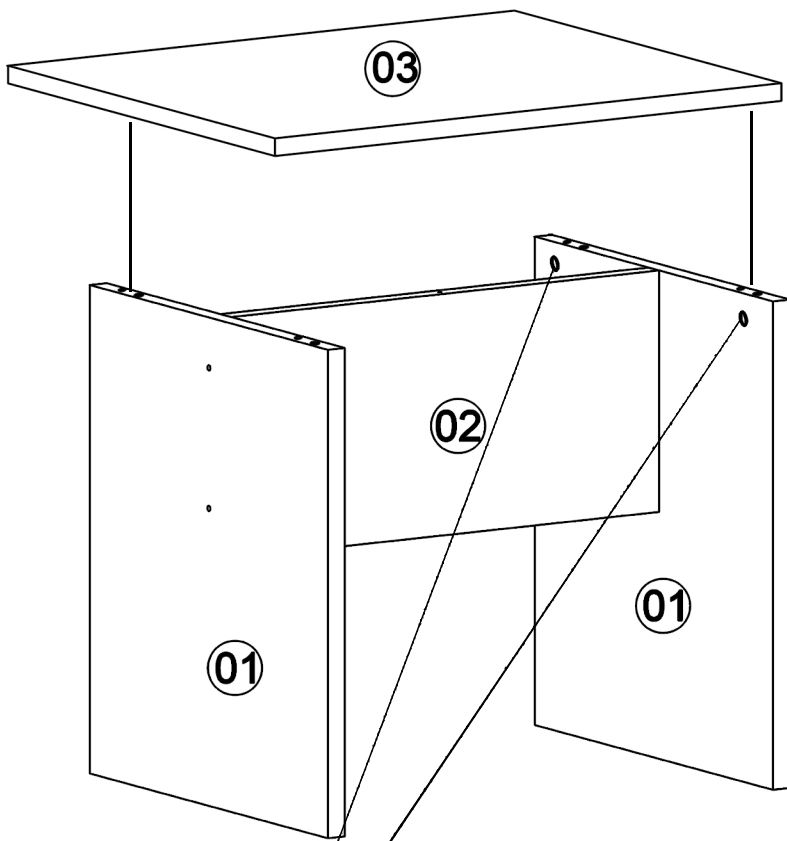
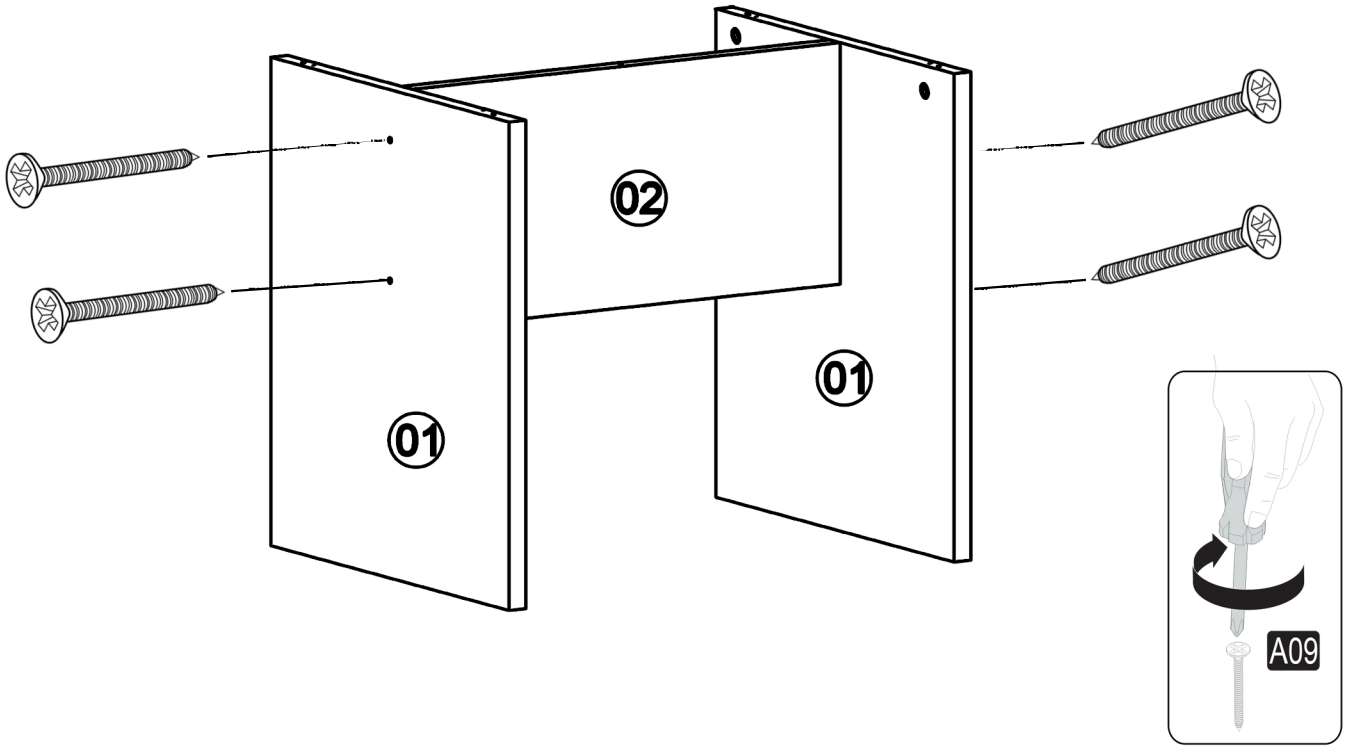






<b>A09</b>  <b>4x</b>	<b>A16</b> Colour 1 Colour 2  <b>4x</b>	 <b>4x</b>	 <b>4x</b>	 <b>4x</b>
 <b>4x</b>				

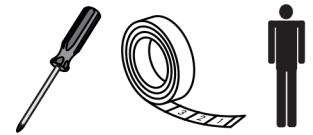







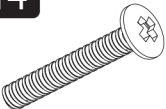


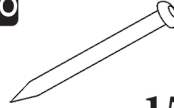

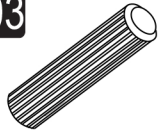


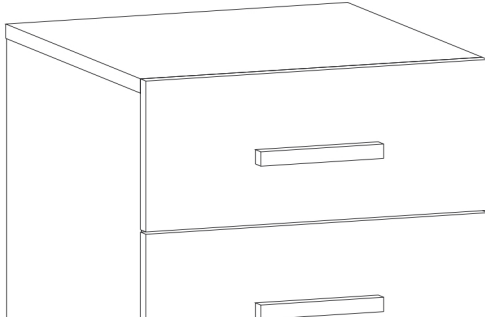



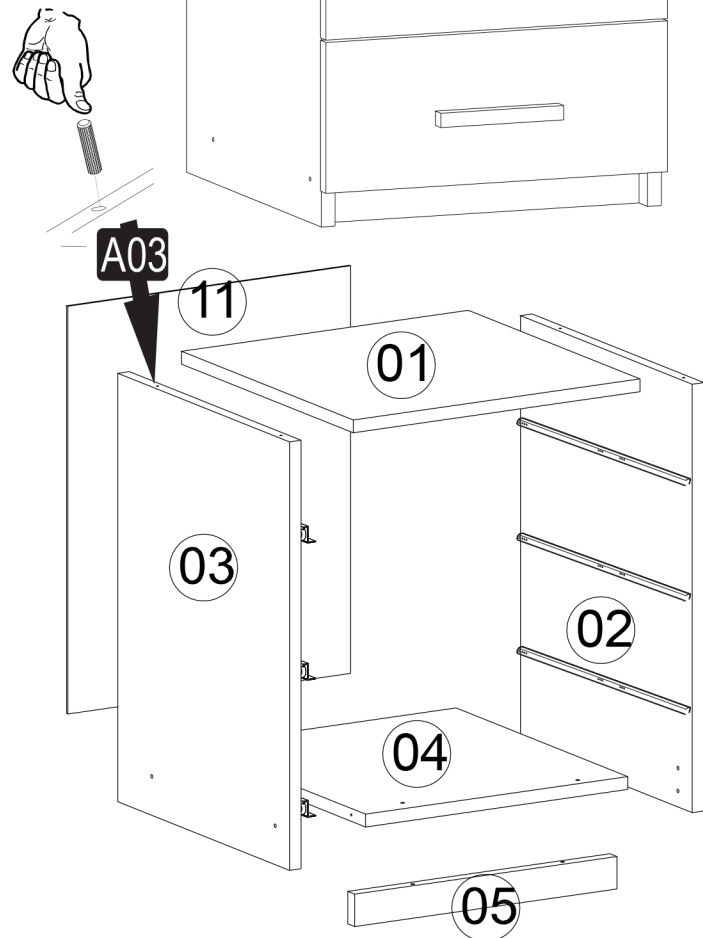
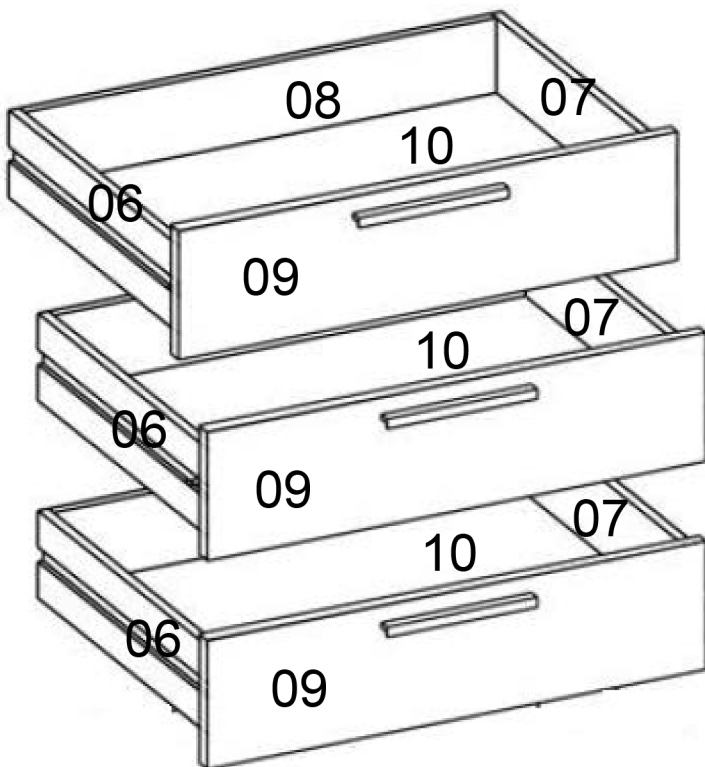
# Vario C



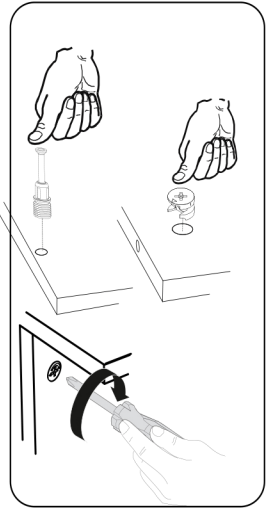
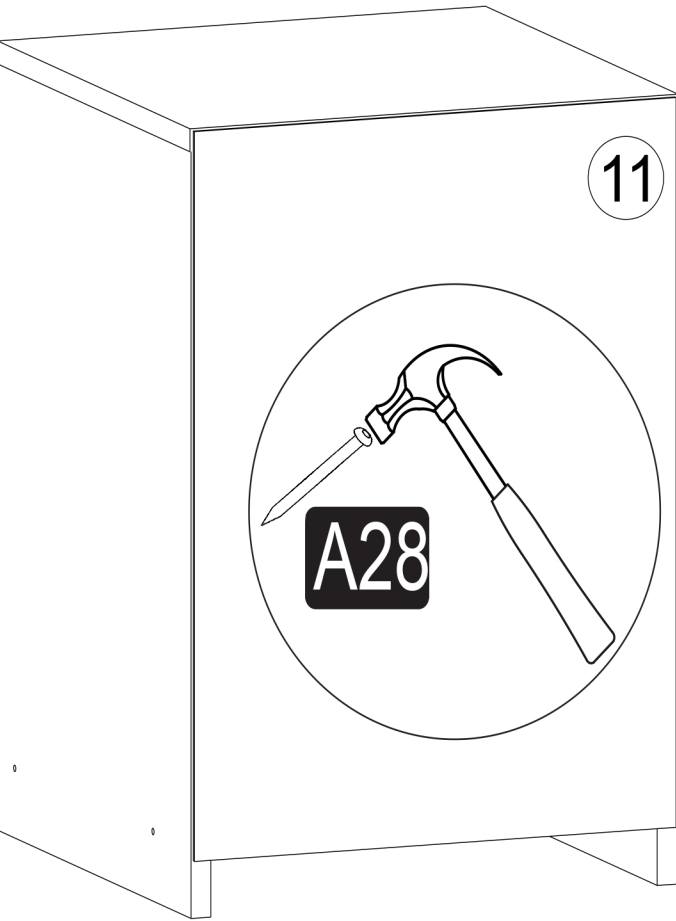
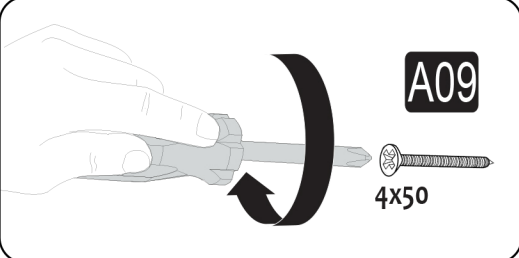
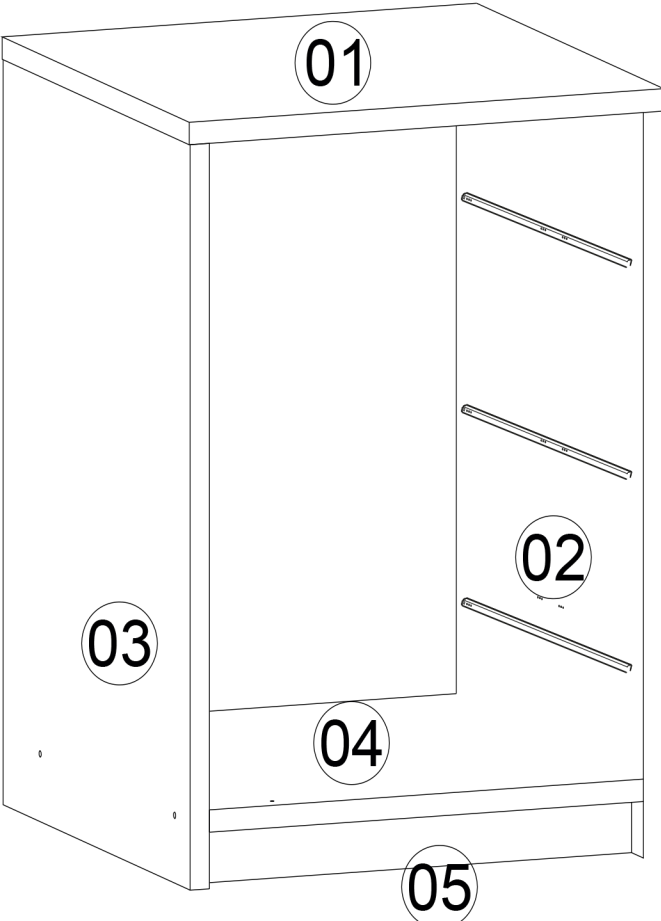
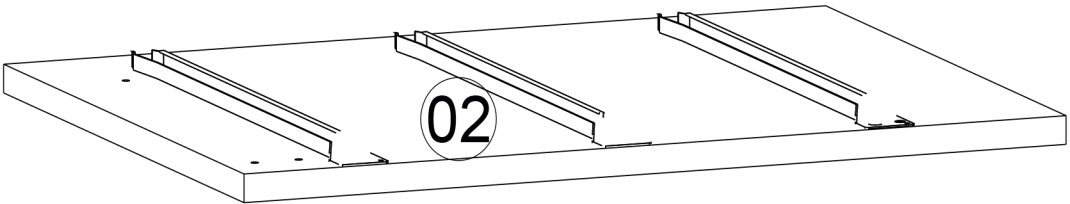
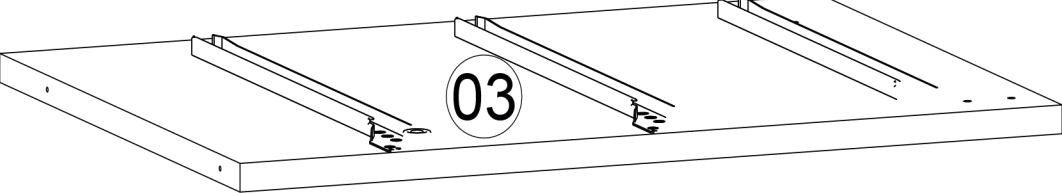
# Vario C

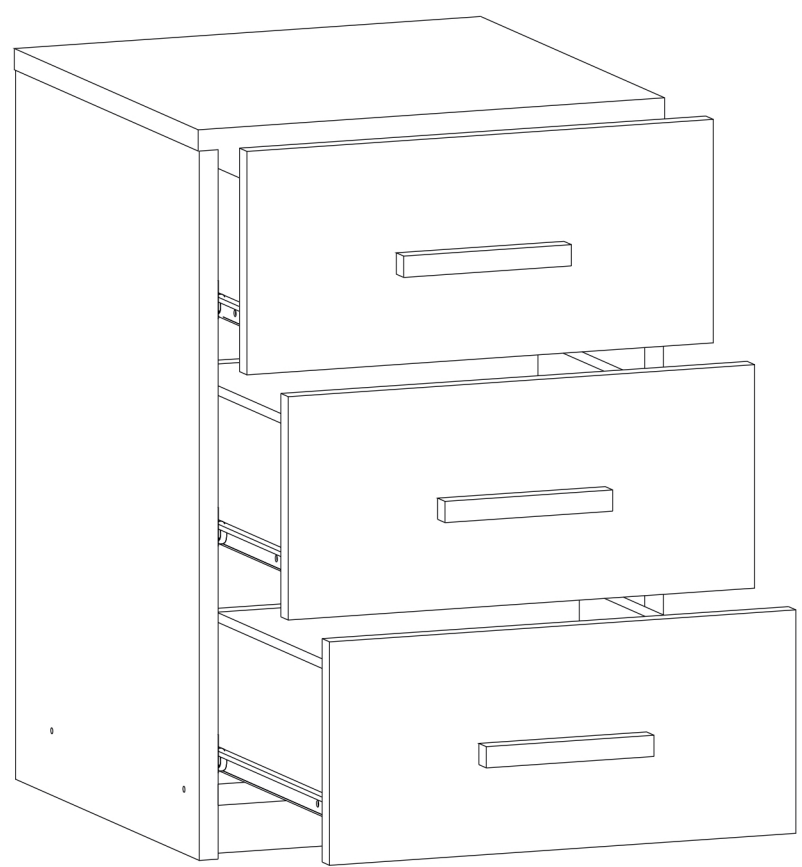
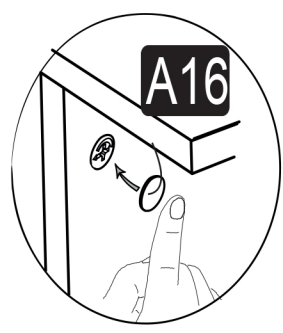
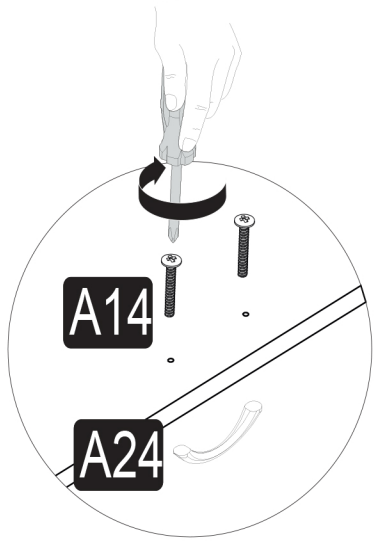
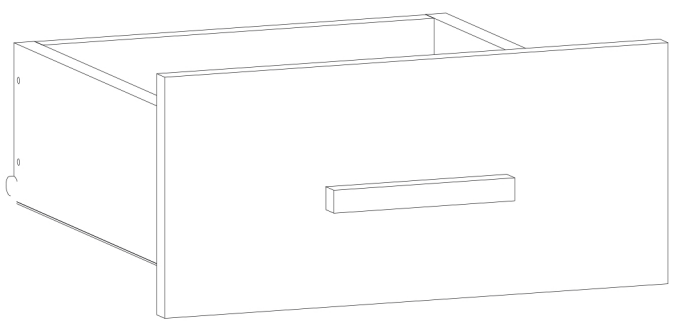
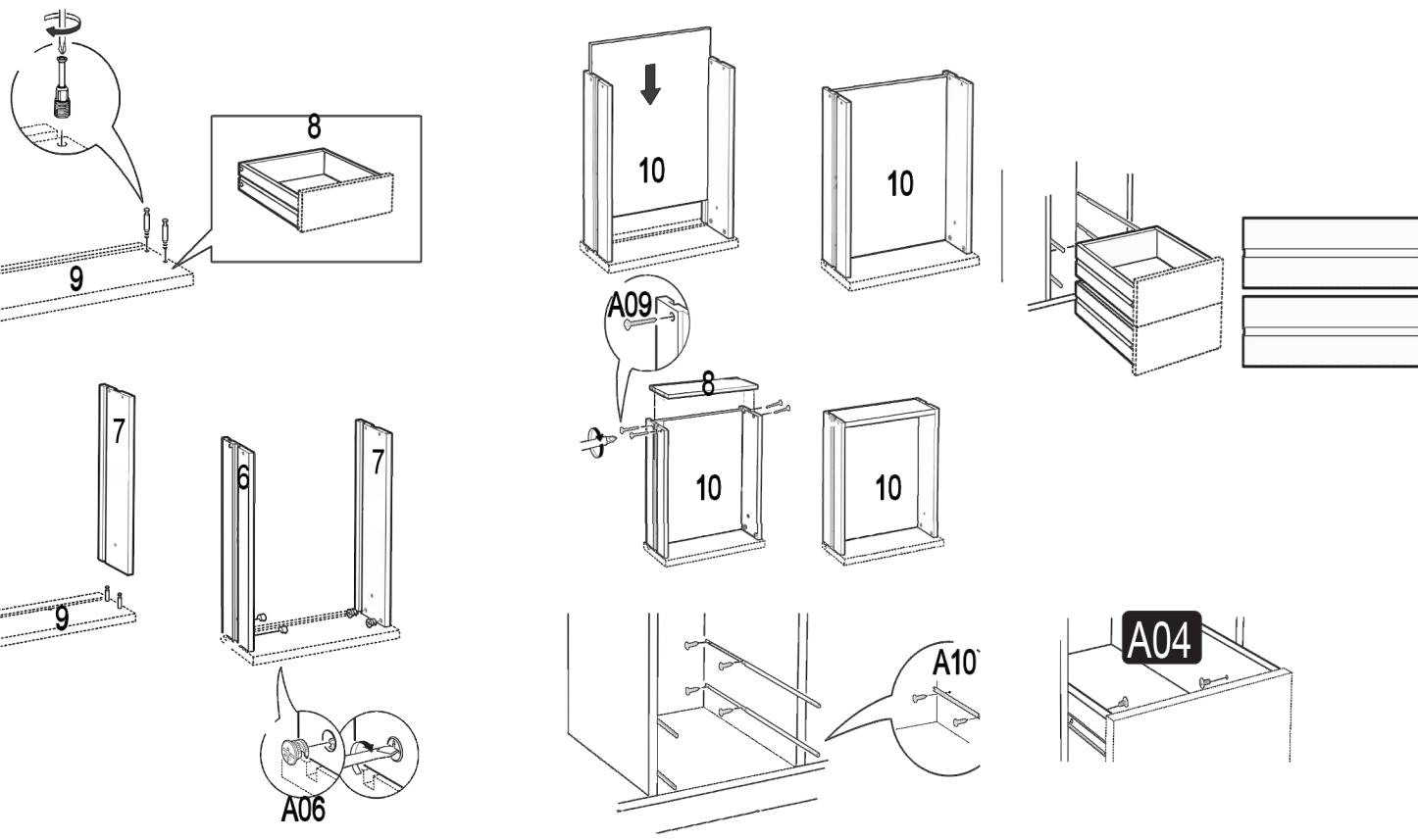


<b>A01</b>  <b>4x</b>	<b>A02</b>  <b>4x</b>	<b>A70</b>  <b>4x</b>	<b>A09</b> 4x50  <b>18x</b>	<b>A10</b> 3,5x18 YHB  <b>14x</b>
<b>A14</b> M4x22  <b>6x</b>	<b>A16</b>  COLOUR 1 <b>6x</b> COLOUR 2 <b>6x</b>	<b>A24</b> 96 mm  <b>3x</b>	<b>A28</b>  <b>15x</b>	<b>A59</b> 35 cm Ray  <b>6x</b>
<b>A03</b>  <b>4x</b>	<b>A04</b> 4x10  <b>6x</b>	<b>A05</b>  <b>12x</b>		
<b>A06</b> Mini Minifix  <b>12x</b>				

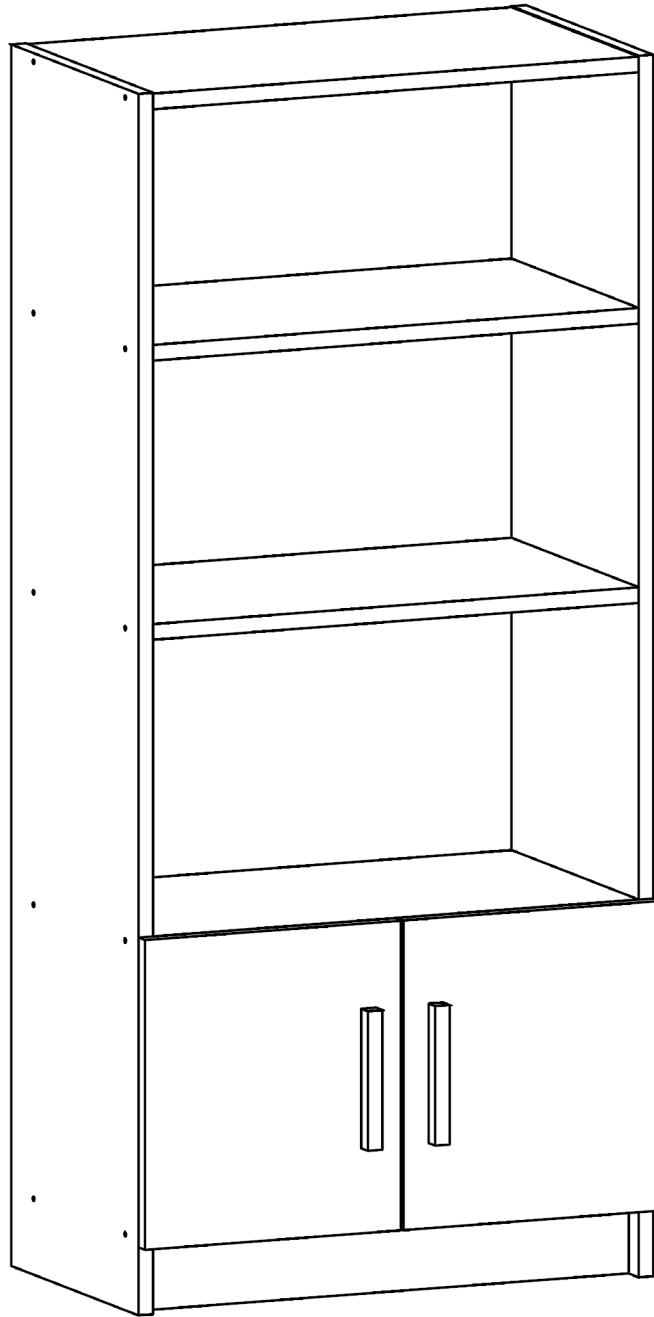





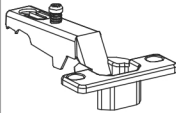
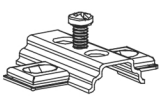





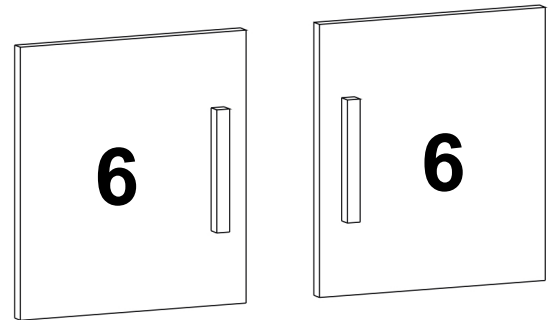
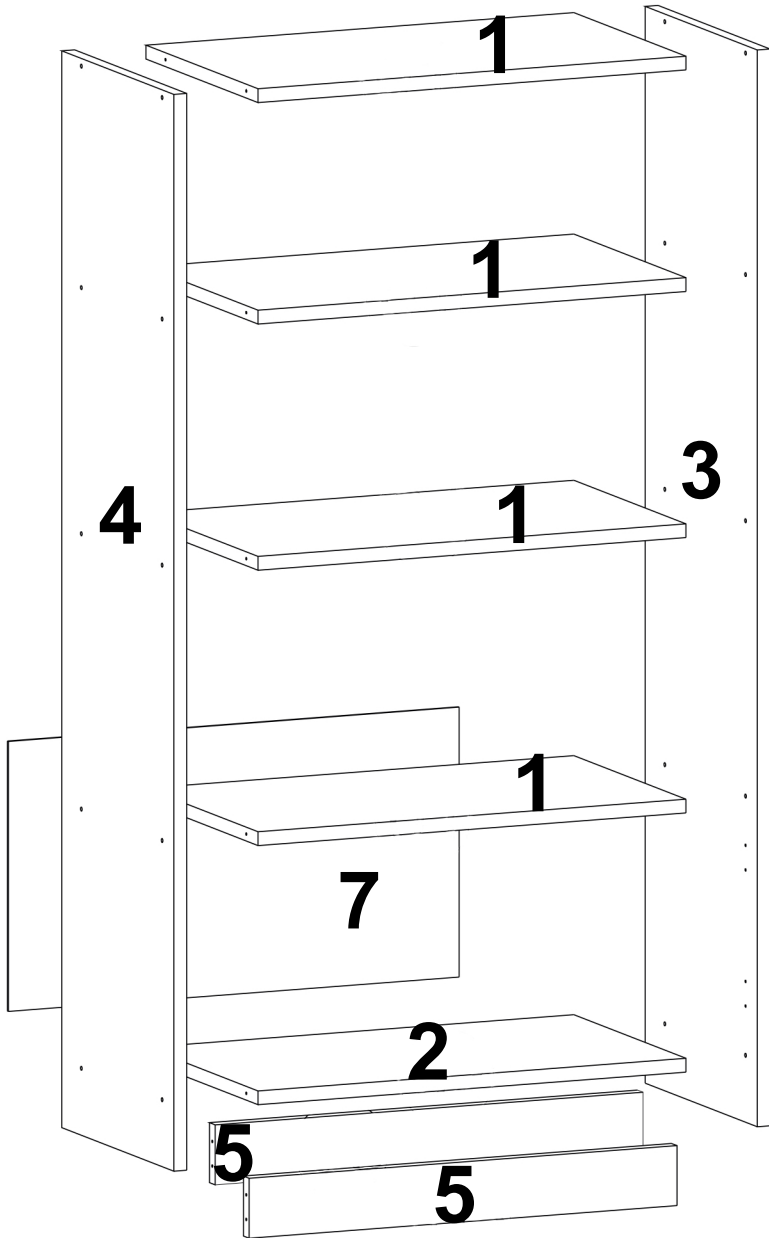


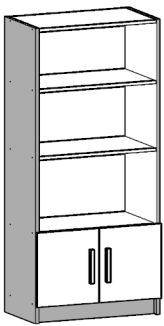


# VO4



 B0301 x16	 B0304 x24	 B0307 x4	 B0101 x4	 B0105 x4
 B0318 x30	 COLOR 1 x24 COLOR 2	 B0205 x2		

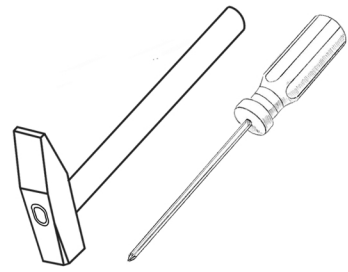




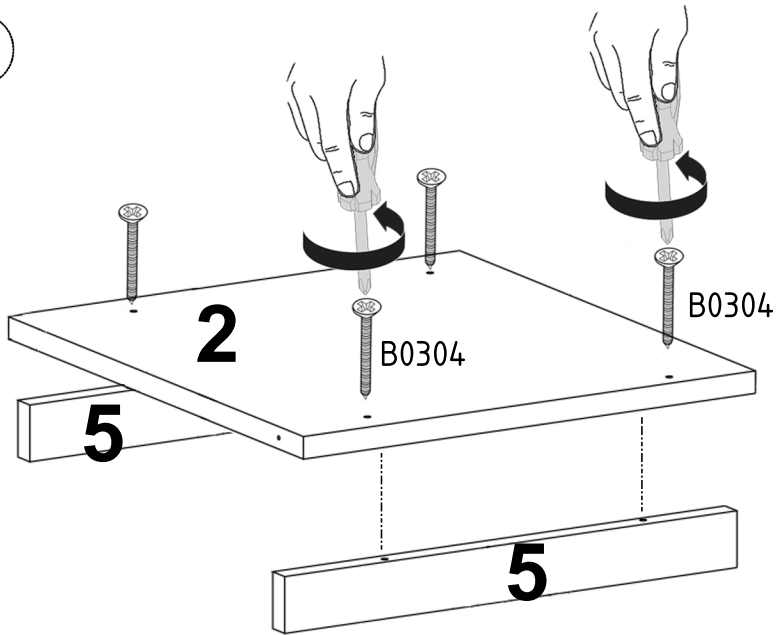
B0304



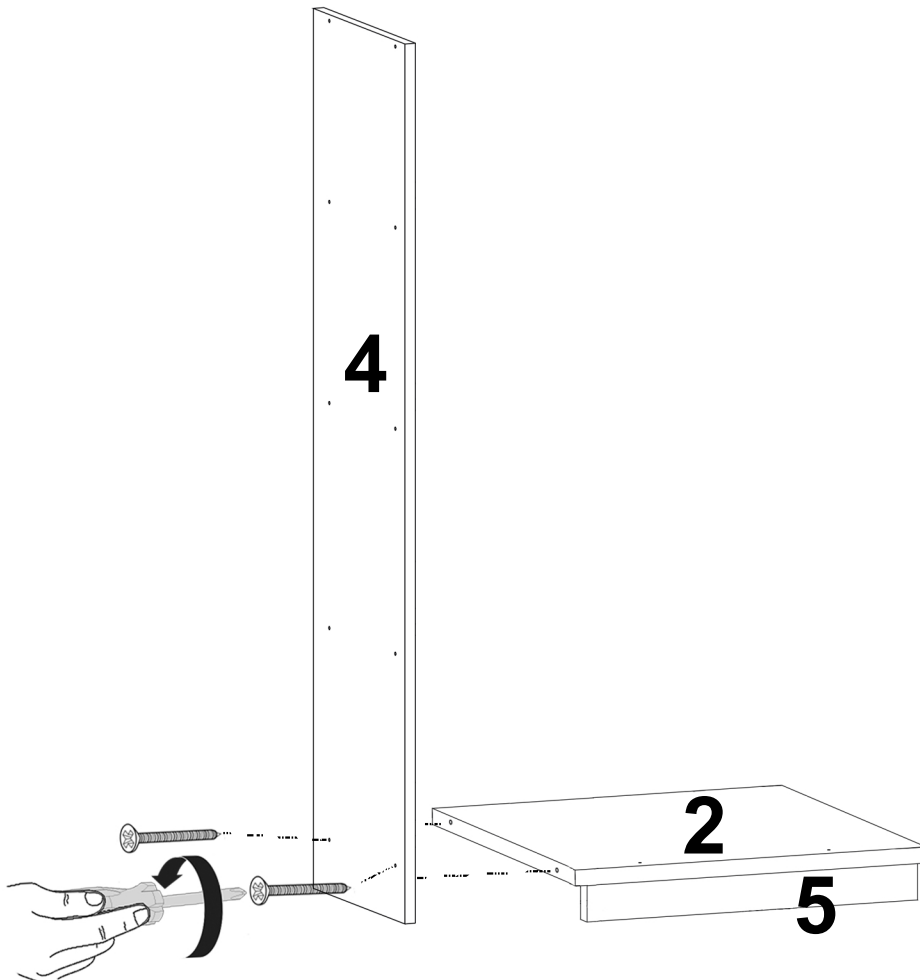
x6



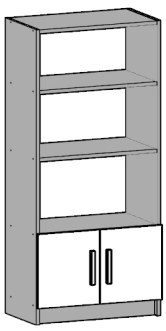
1



2



3

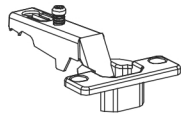


B0304



x18

B0101



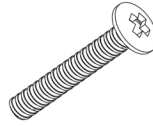
x4

B0301



x8

B0307

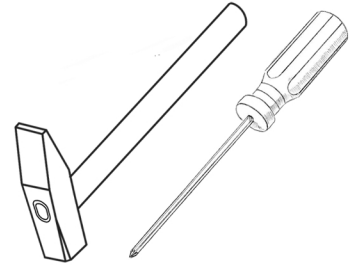


x4

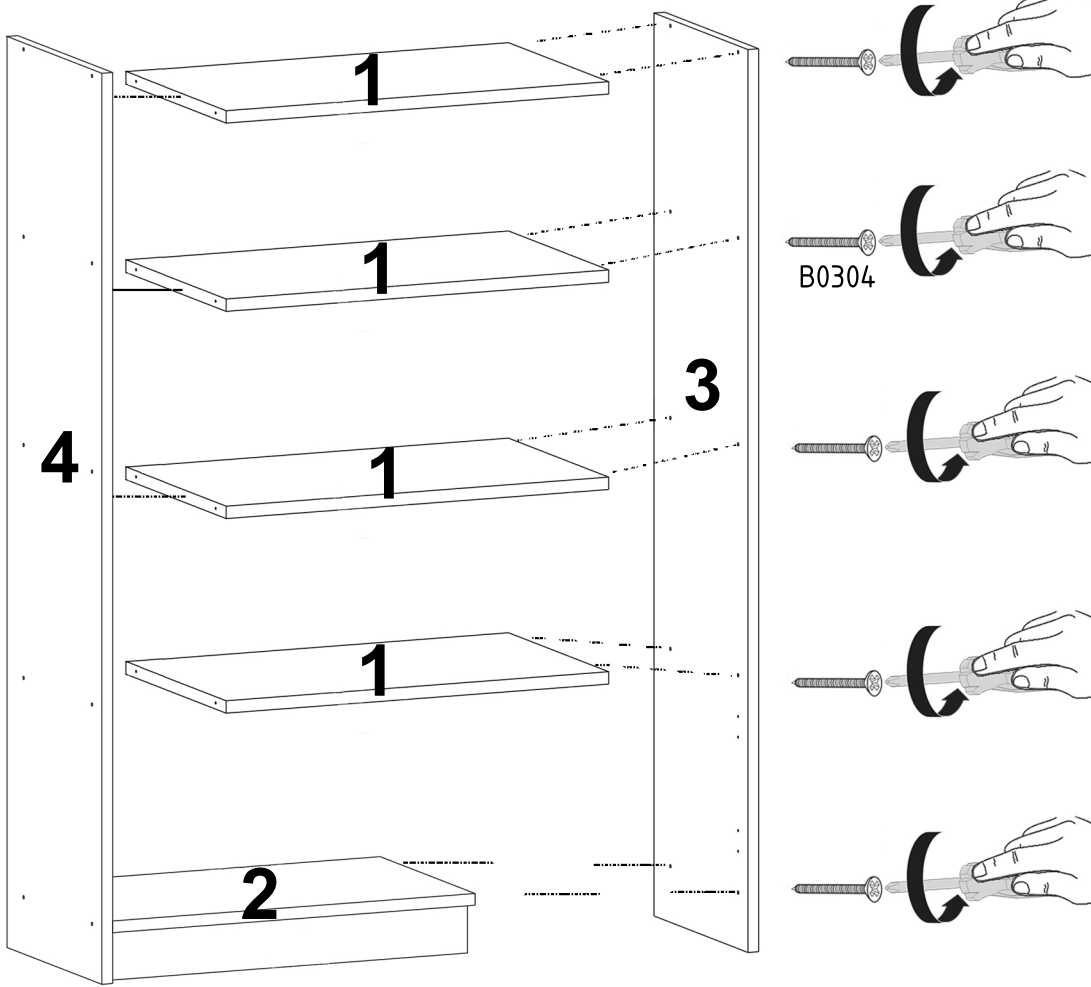
B0205



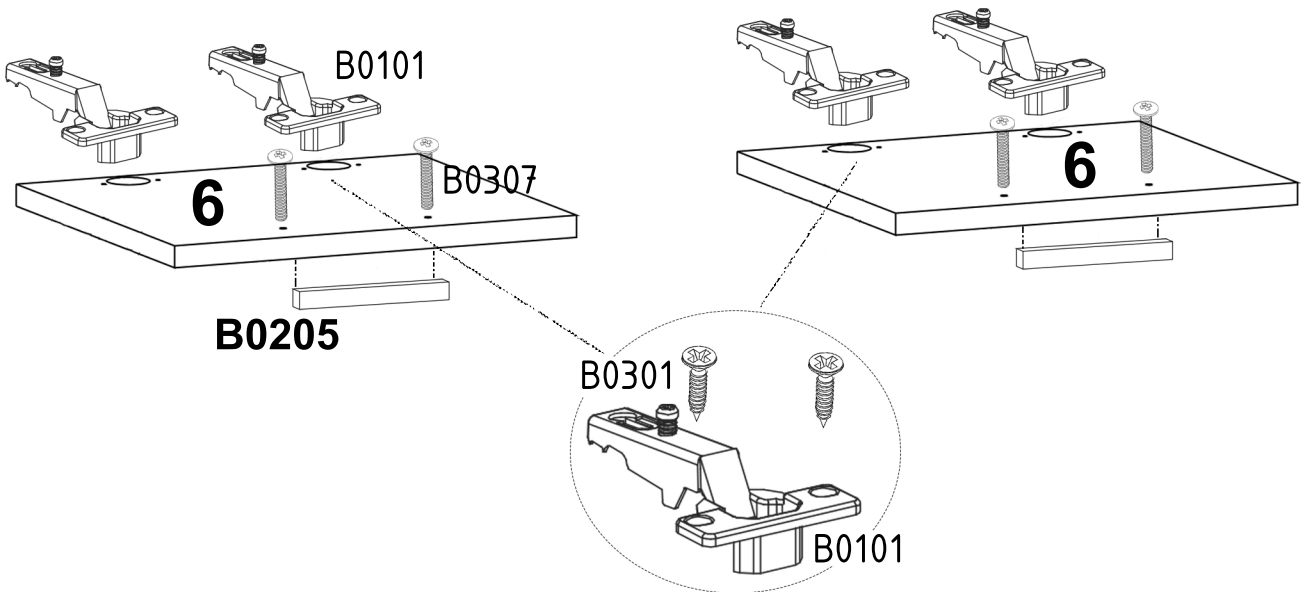
x2

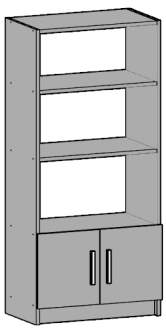


3

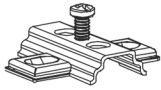


4





B0105



x4

B0301

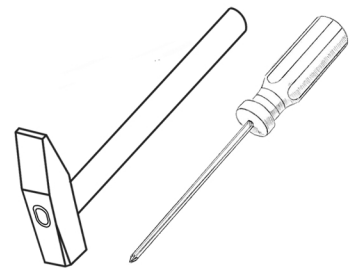


x8

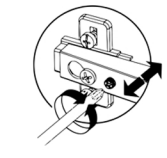
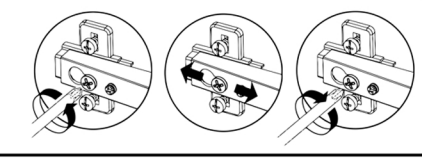
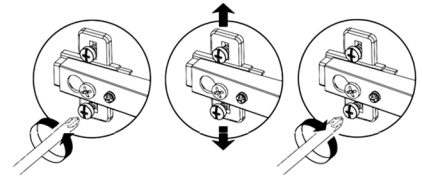
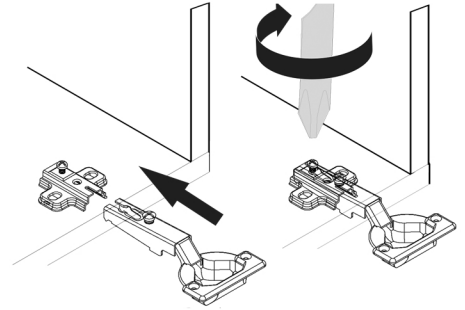
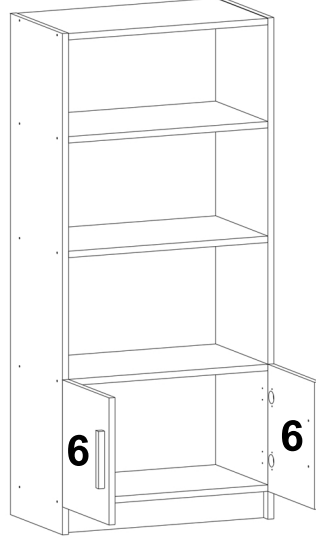
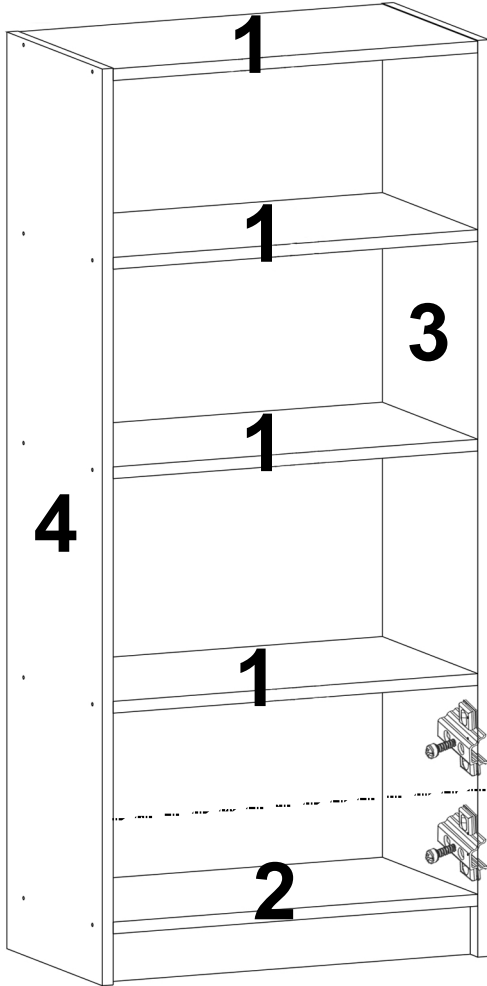
B0318



x30



5



6

