













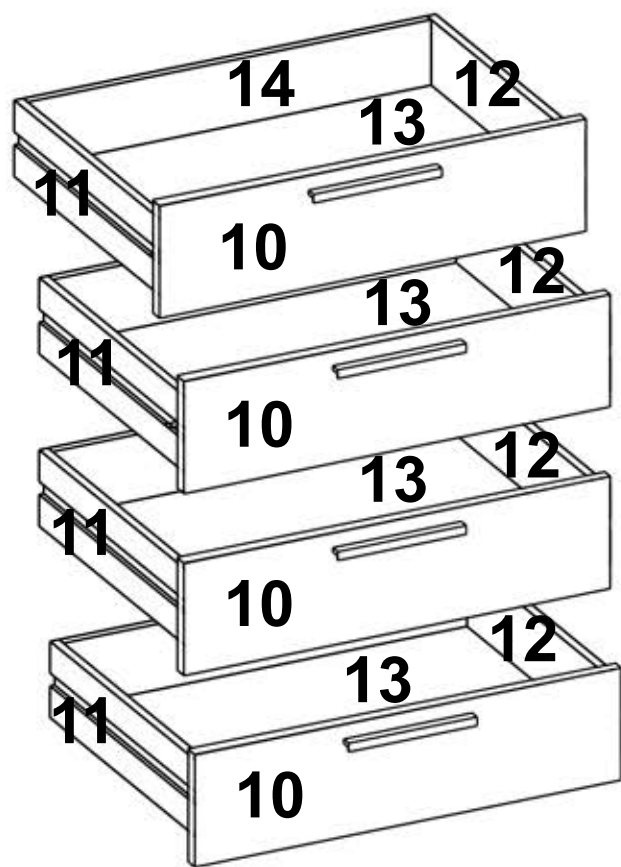
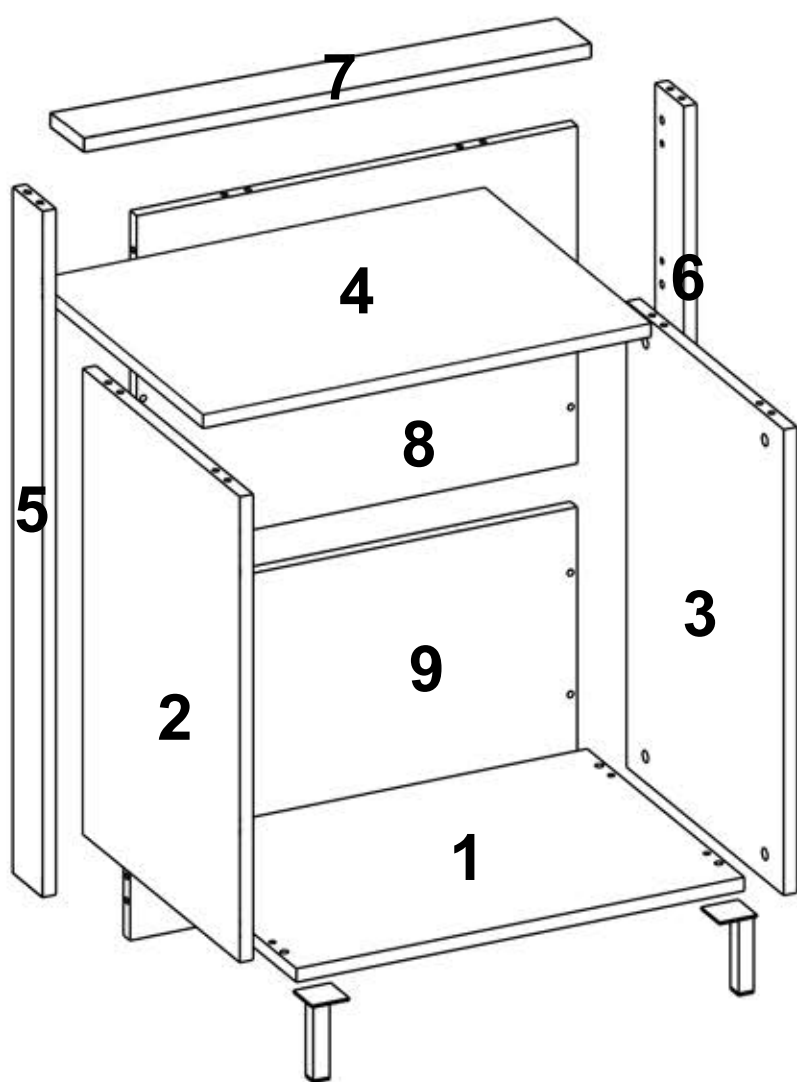


HM6



 B0501 x18	 B0502 x18	 B0503 x22	 B0504 x18	 B0301 x22
 B0304 x24	 B0328 x8	 B0510 x16	 B0511 x16	 B0905 x8
 B0201 x4	 B0307 x8	 B1702 x2	 D0154 x2	





B0502



x4

B0503



x4

B0504



x4

B0501



x4

B0301

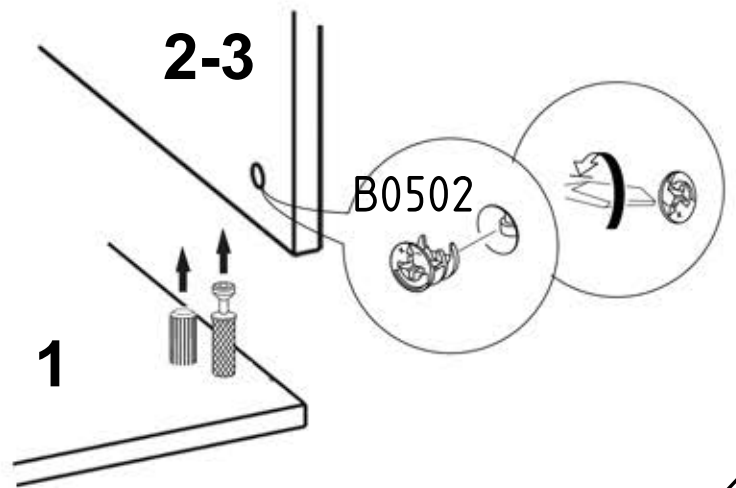
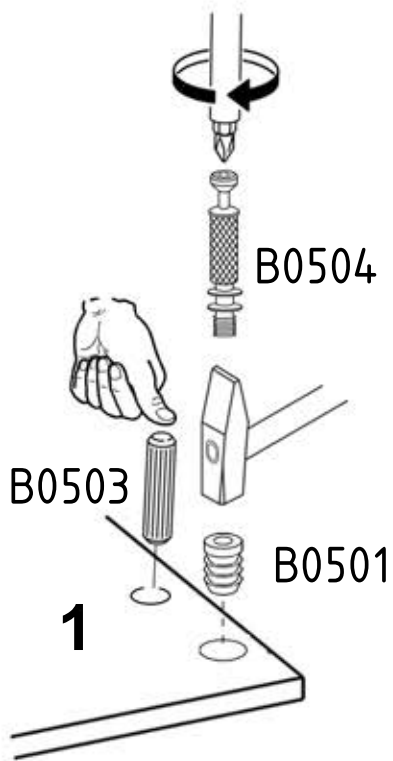
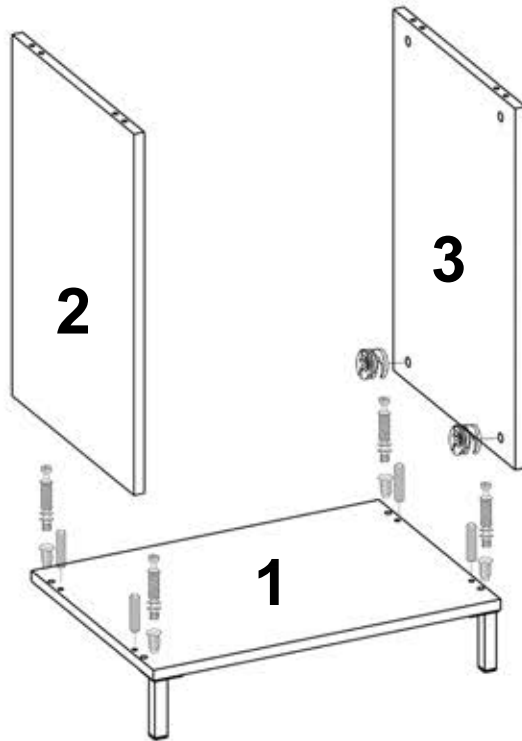
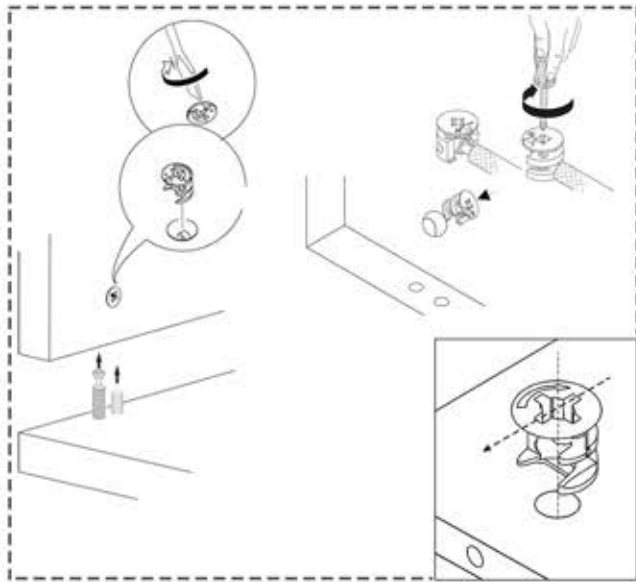
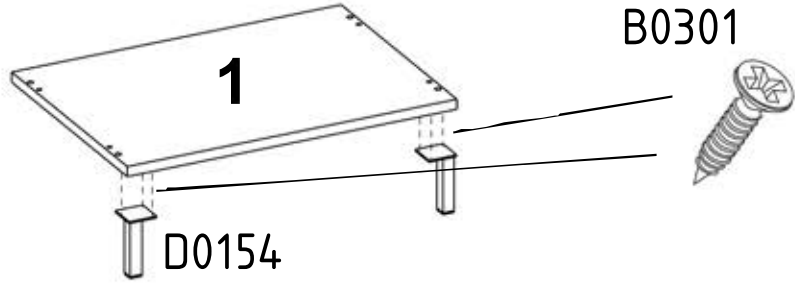


x6

D0154



x2





B0502



X4

B0503



X4

B0504

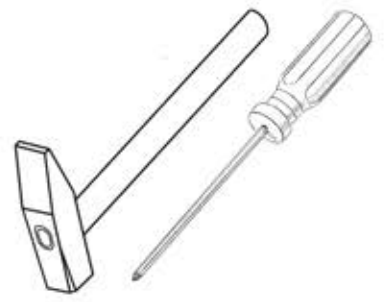


X4

B0501



X4



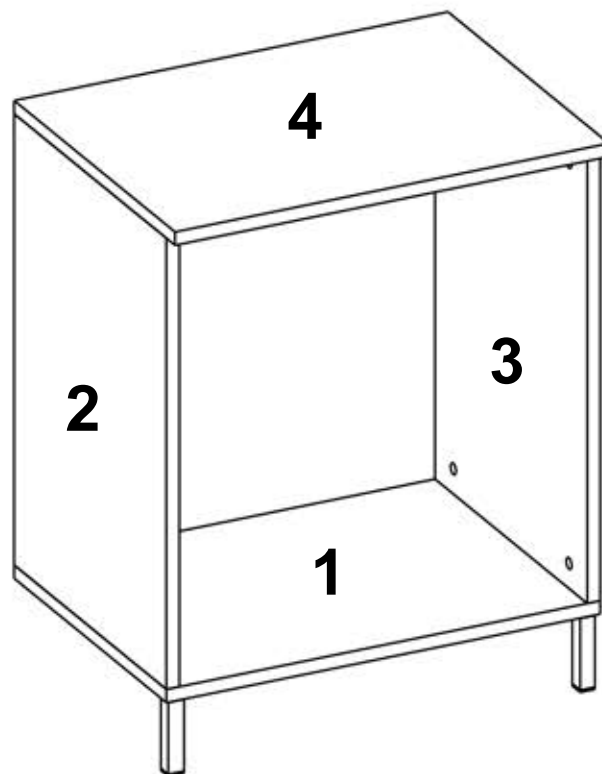
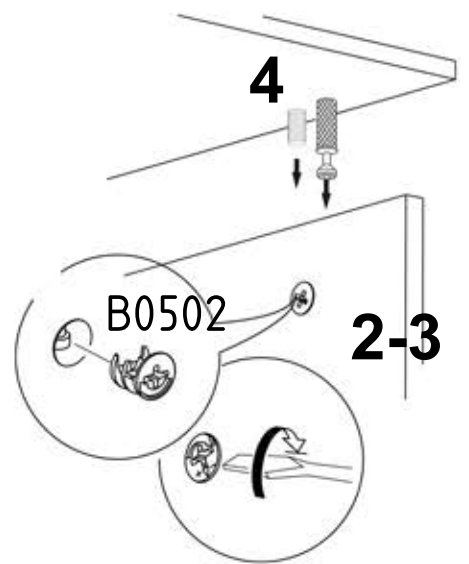
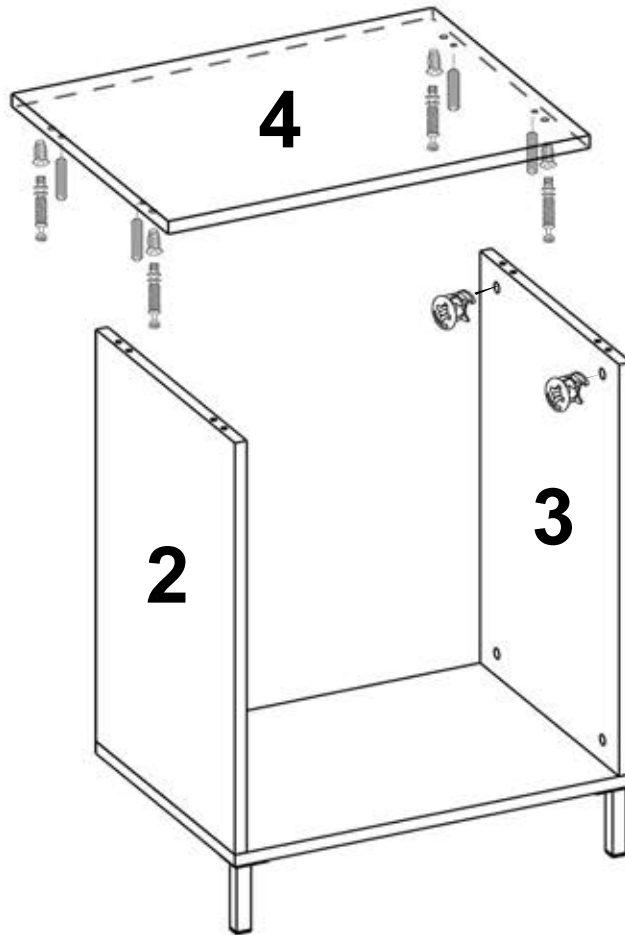
B0504



B0503

4

B0501





B0502



x8

B0503



x8

B0504

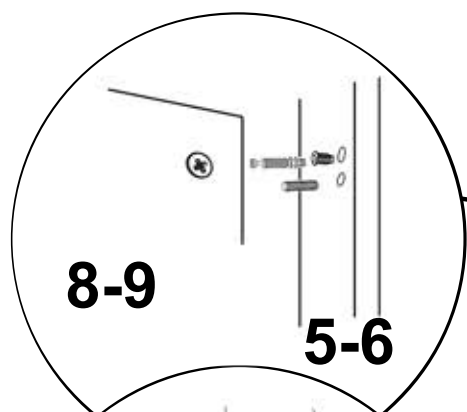
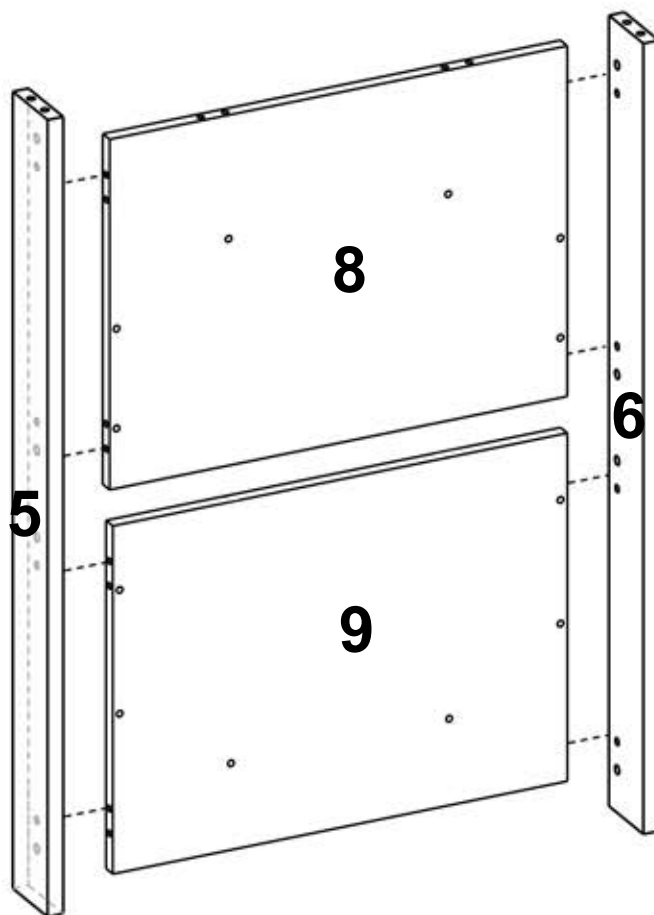


x8

B0501

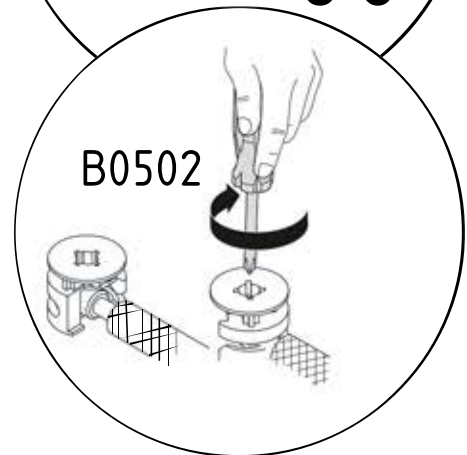


x8

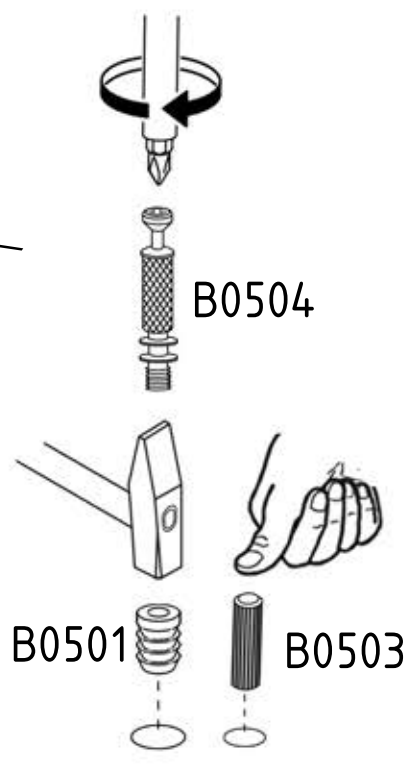


8-9

5-6



B0502



B0504

B0501

B0503



B0502



x2

B0503



x6

B0504

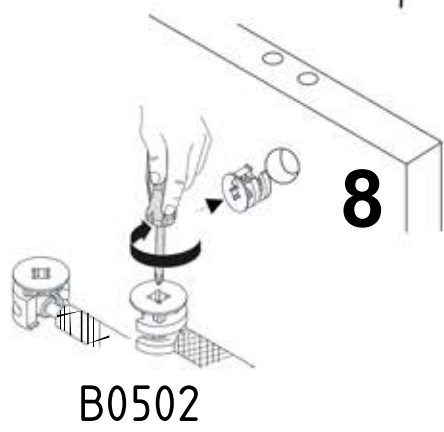
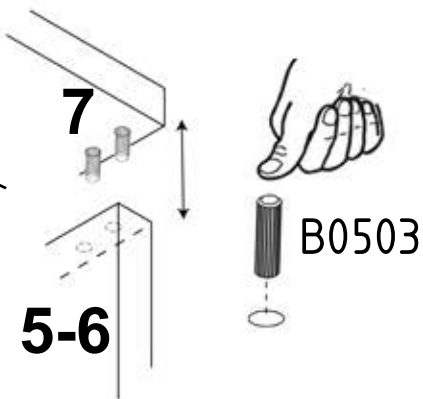
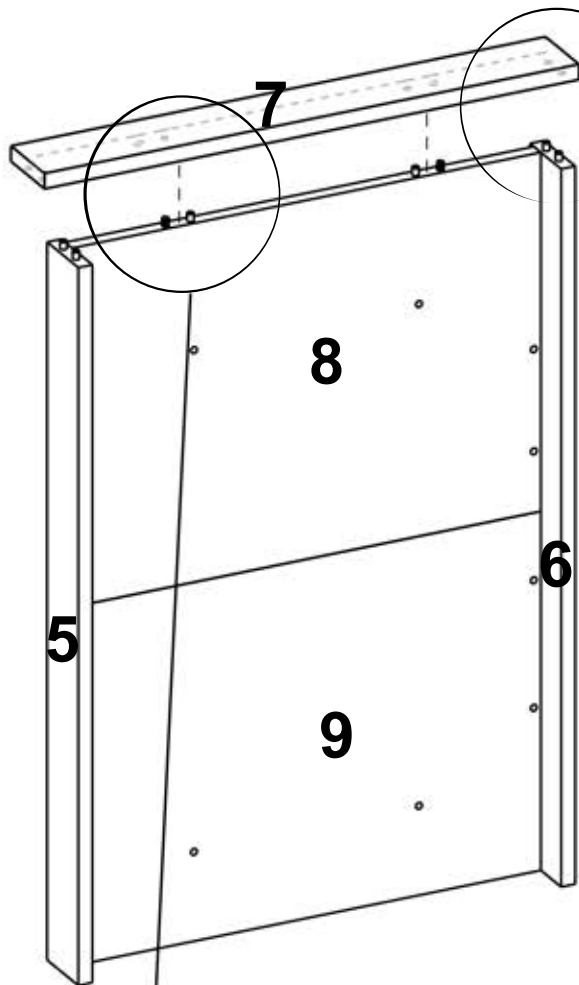
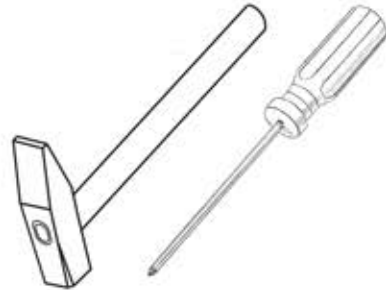


x2

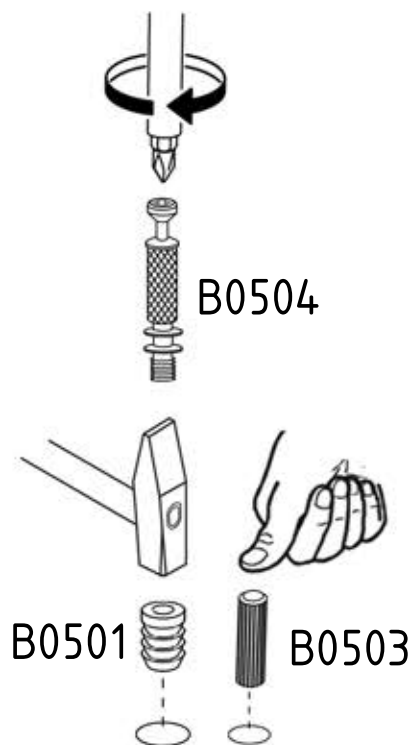
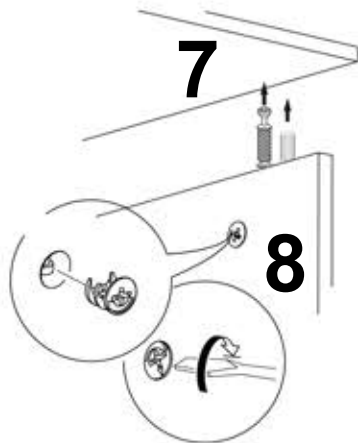
B0501

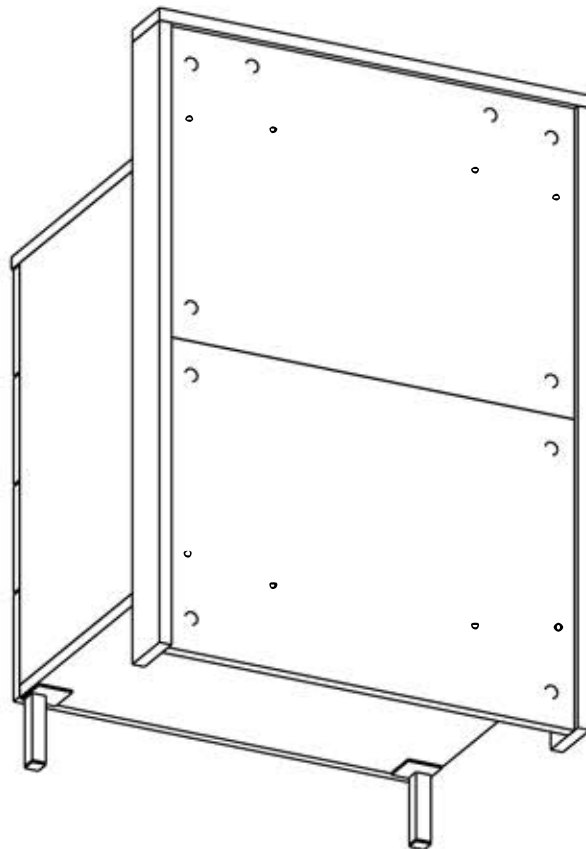
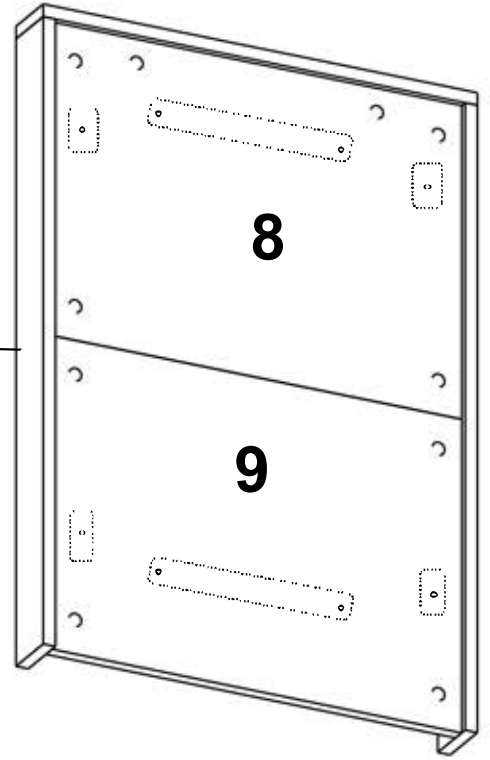
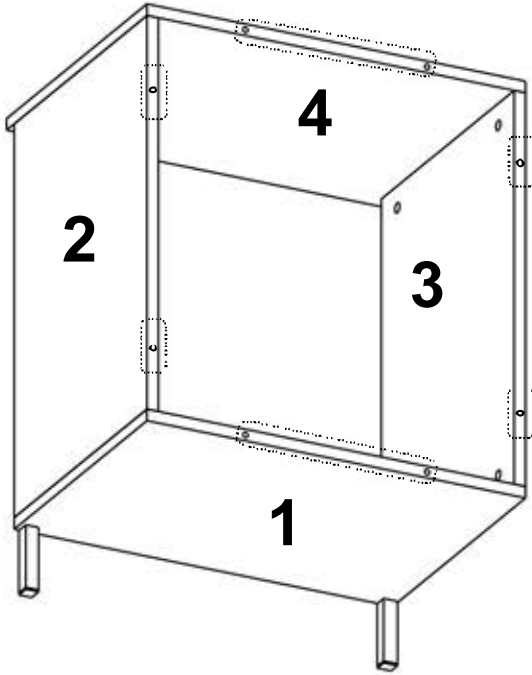
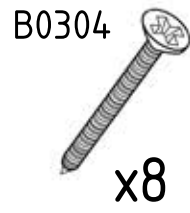


x2



B0502







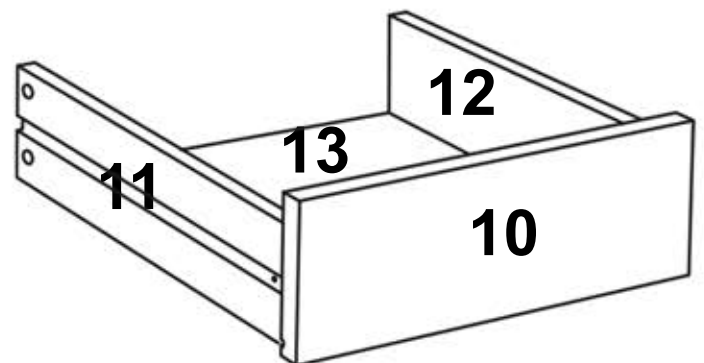
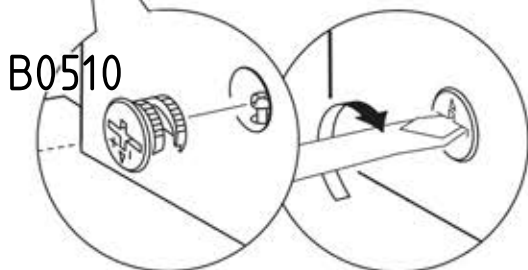
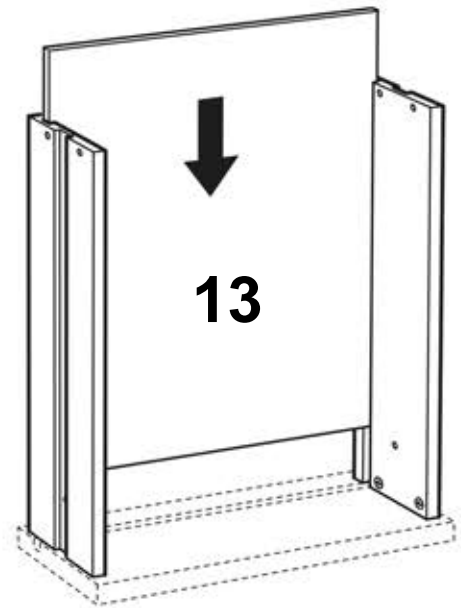
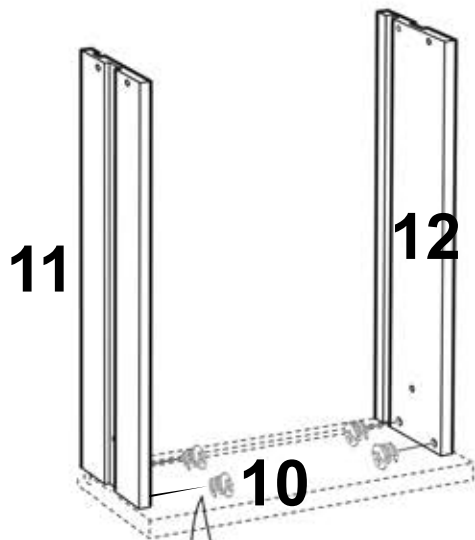
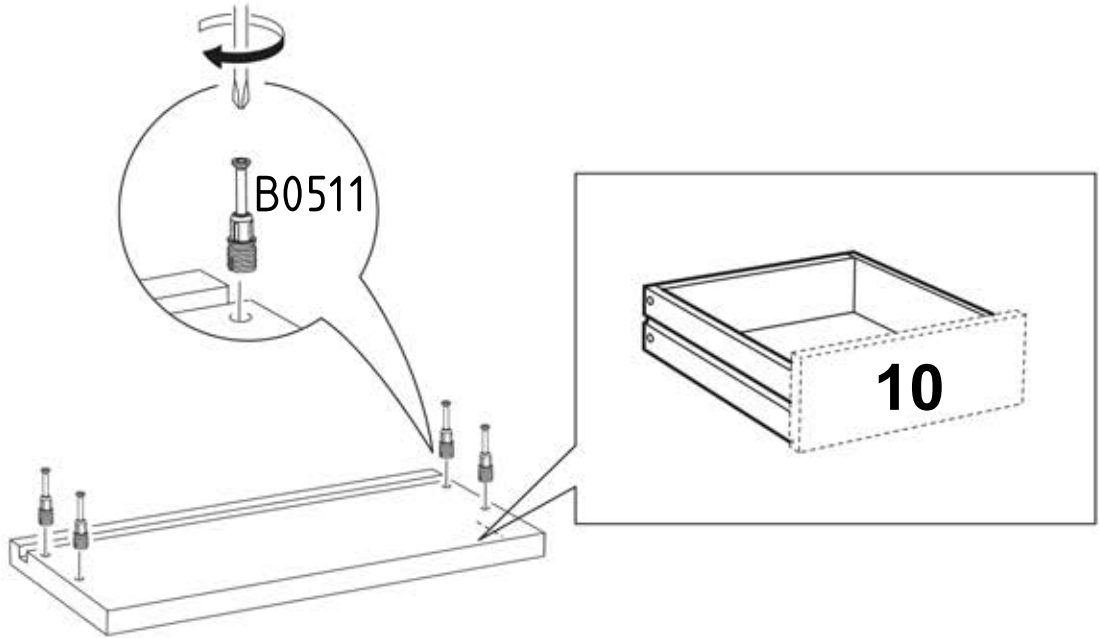
B0510

B0511



X4

X4





B0905

B0201

B0304

B0301

B0307



x8



x1



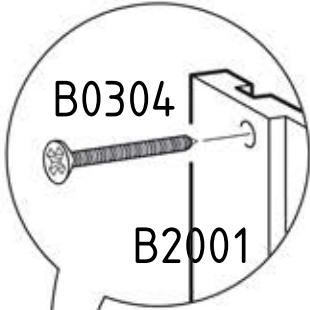
x4



x4



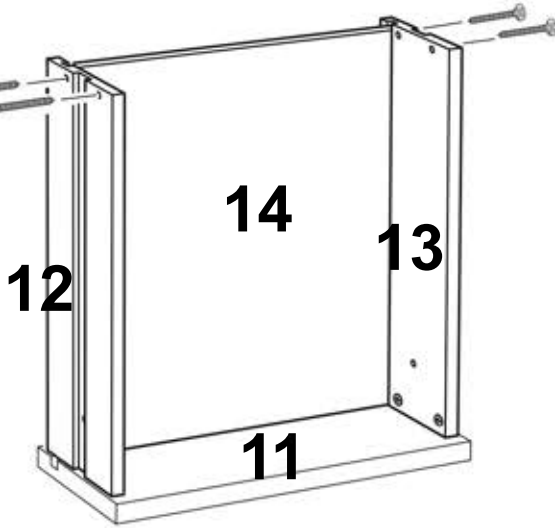
x2



B0304

B2001

15

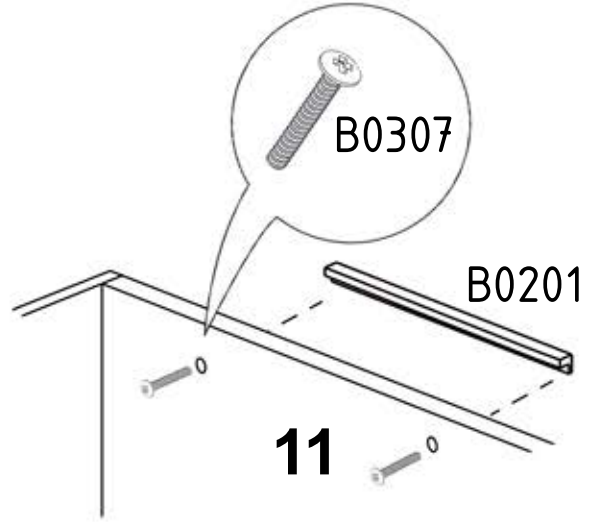


12

14

13

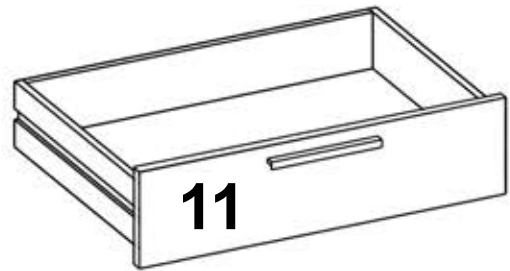
11



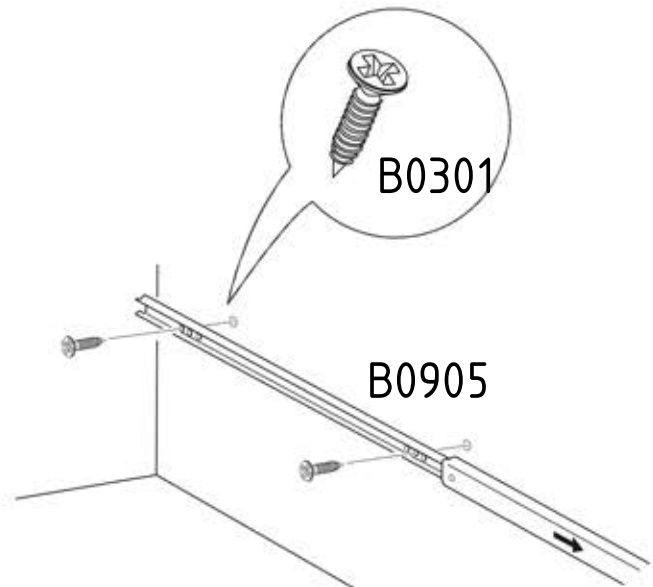
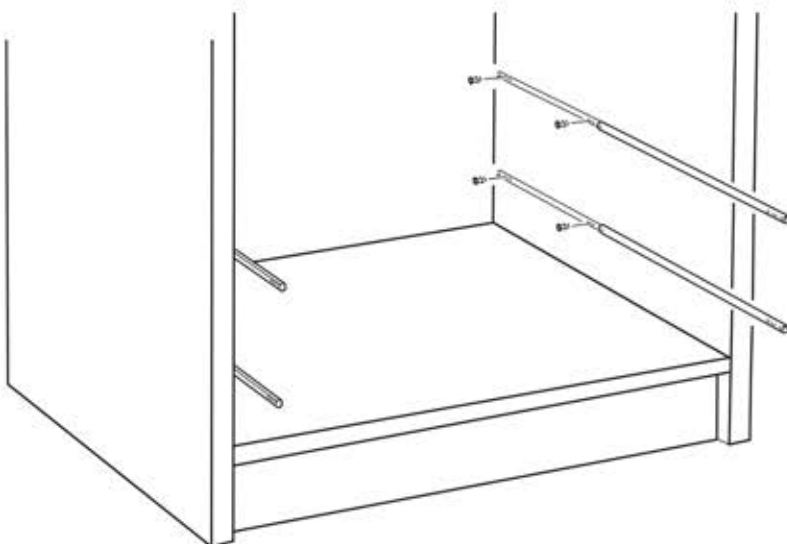
B0307

B0201

11



11



B0301

B0905



B0328



x2

