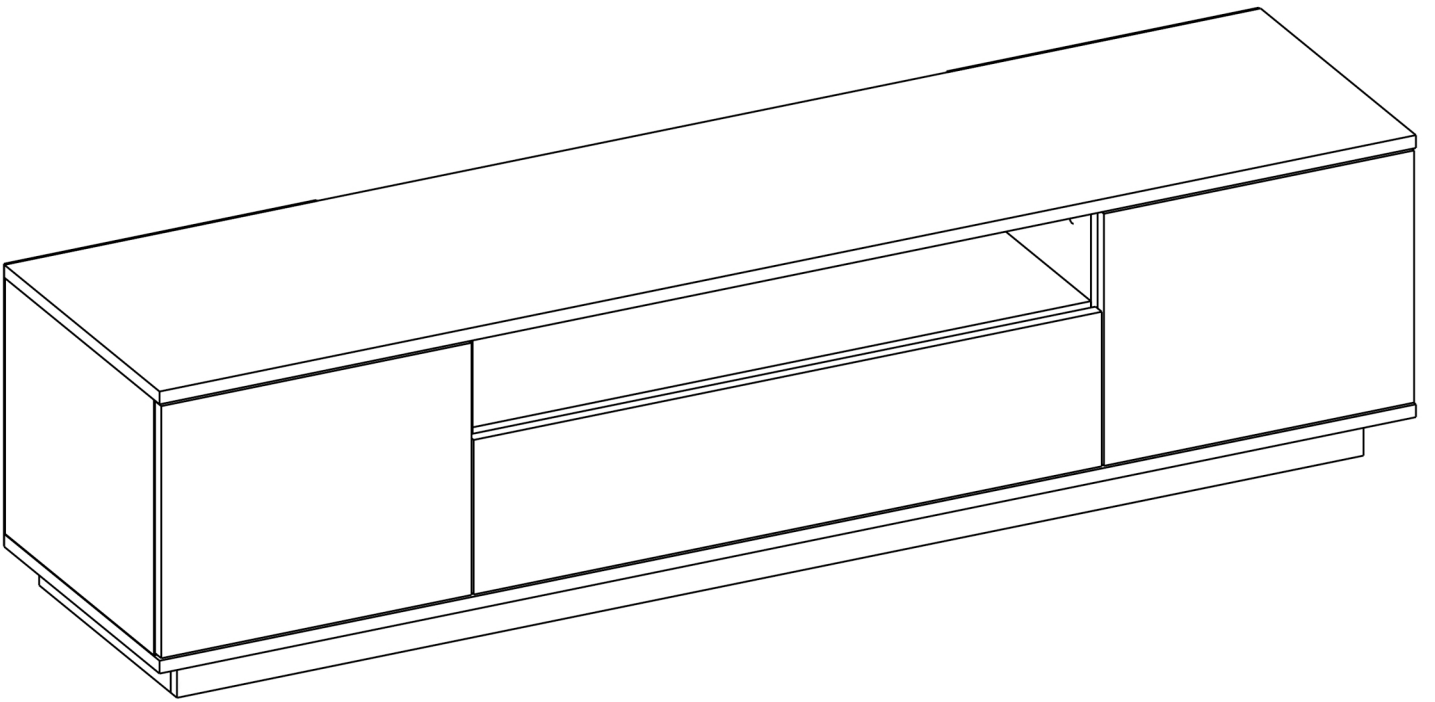


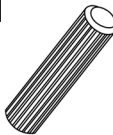
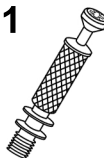



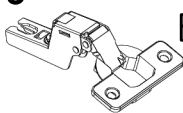
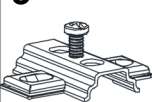
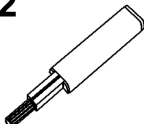
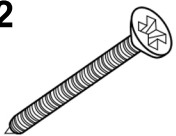

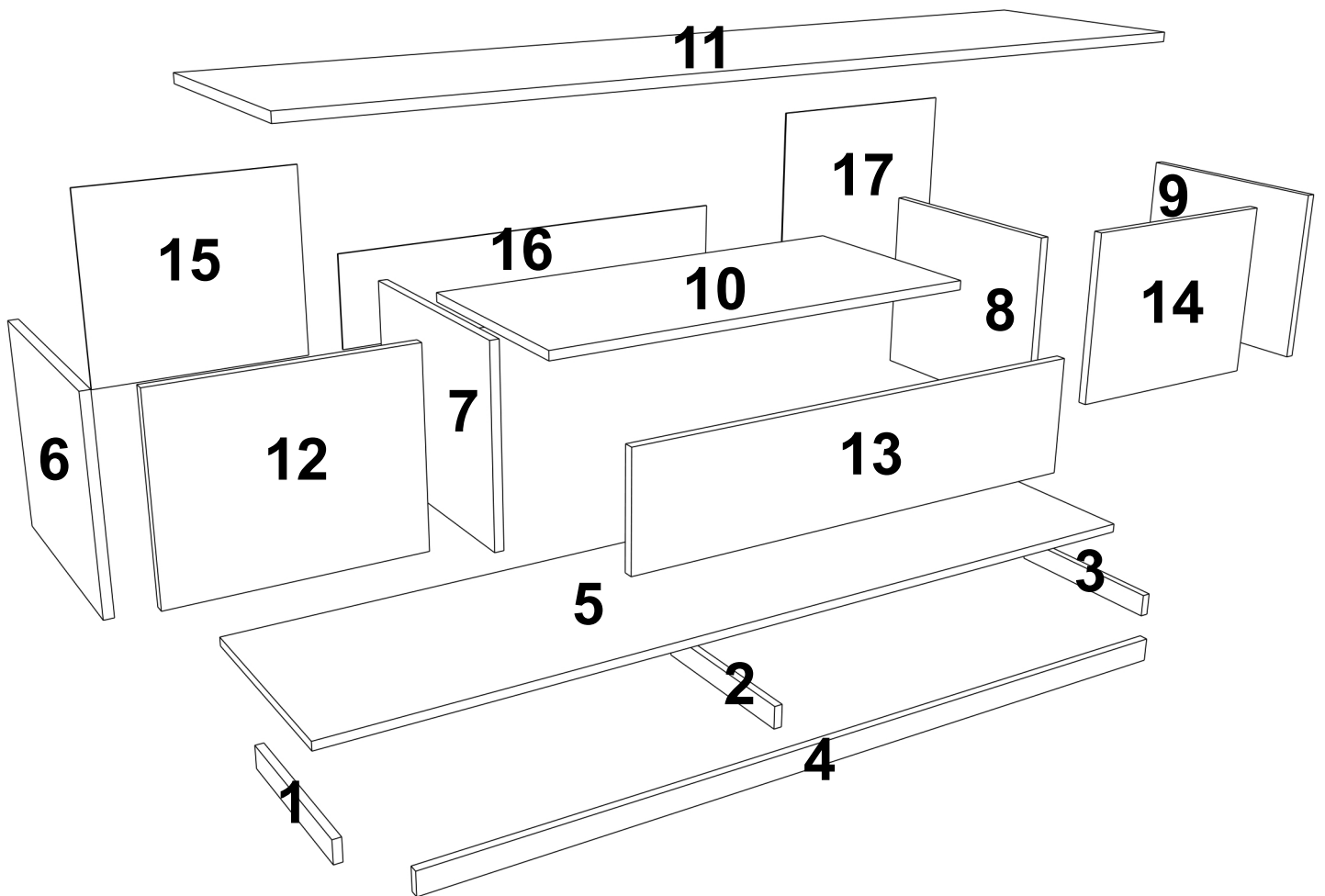
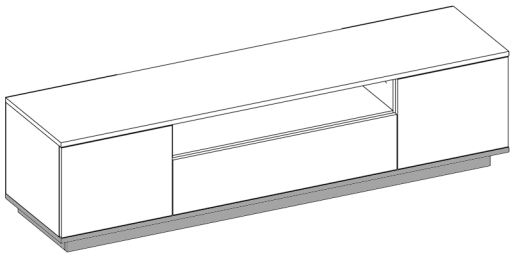


FR7

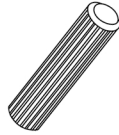


1  B0501 x21	1  B0502 x21	1  B0503 x24	1  B0504 x21	2  B0301 x39
P  B1102 x2	2  B0318 x45	3  B0103 x6	3  B0105 x6	2  B1403 x3
2  B0304 x11	2  COLOR 1 x11			





B0503

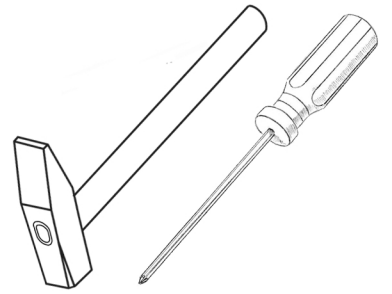


x3

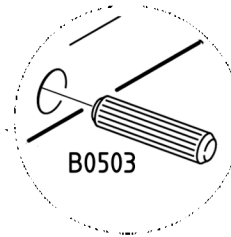
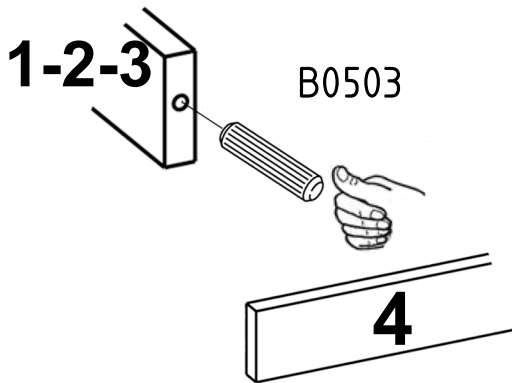
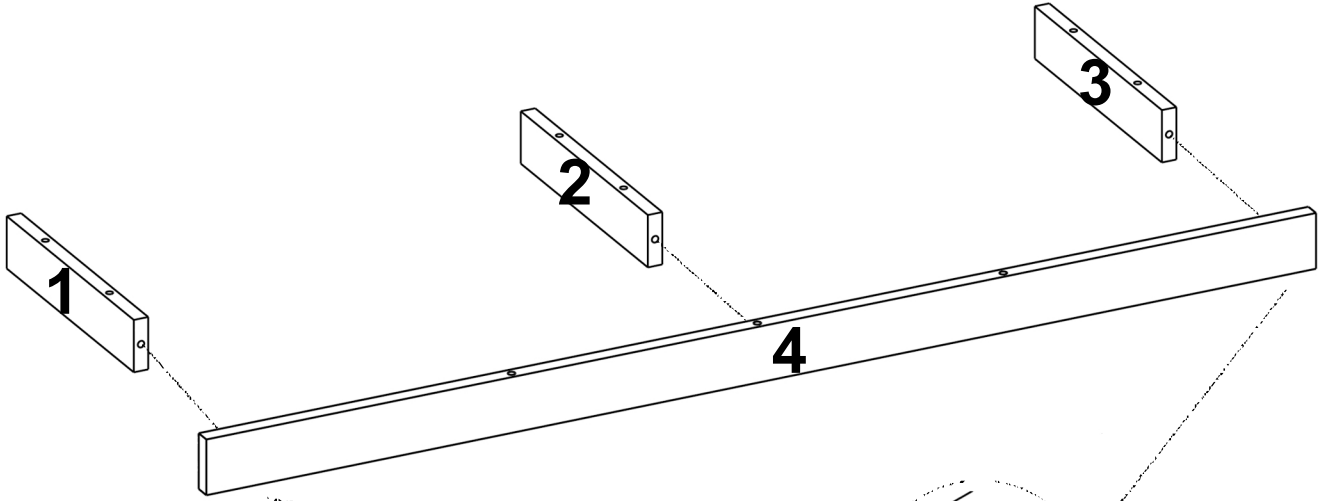
B0304



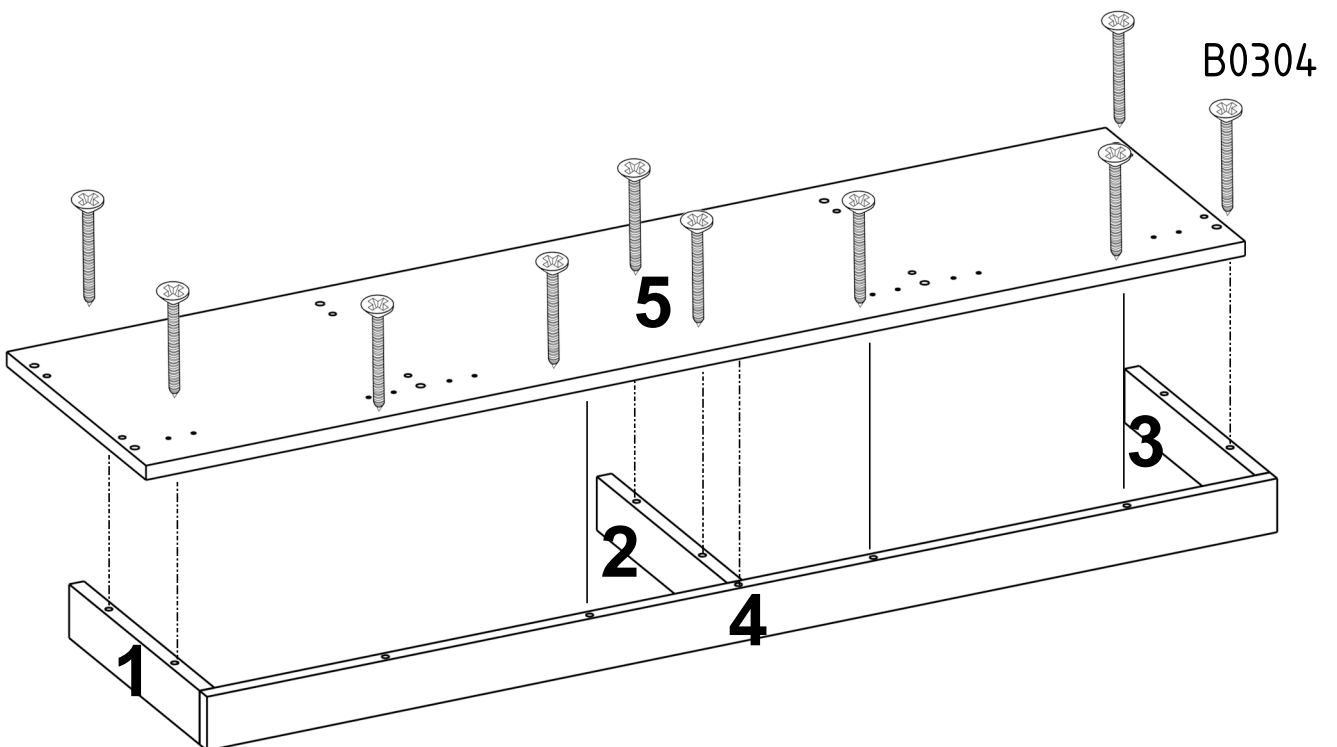
x10

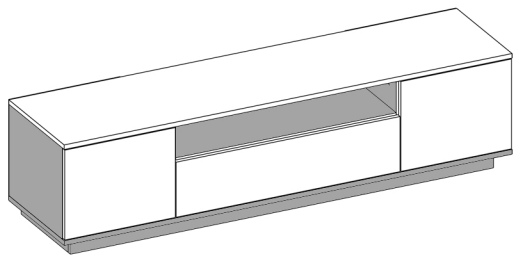


1



2





B0502



x6

B0503



x6

B0504

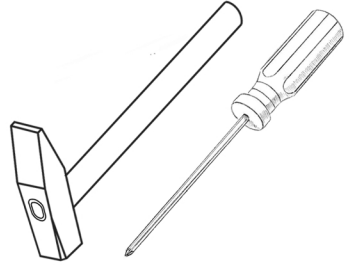


x6

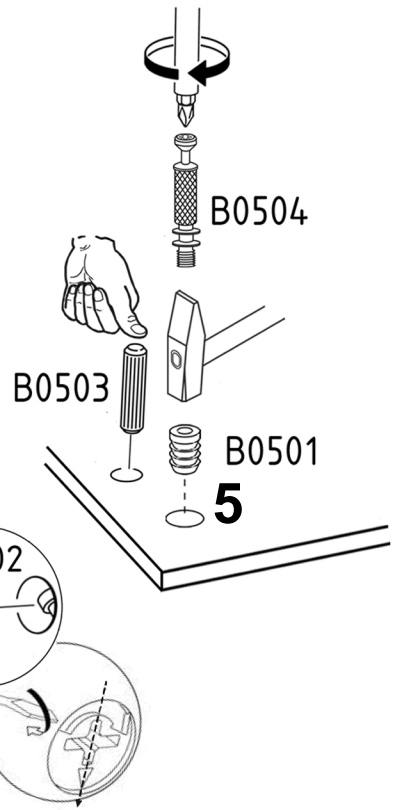
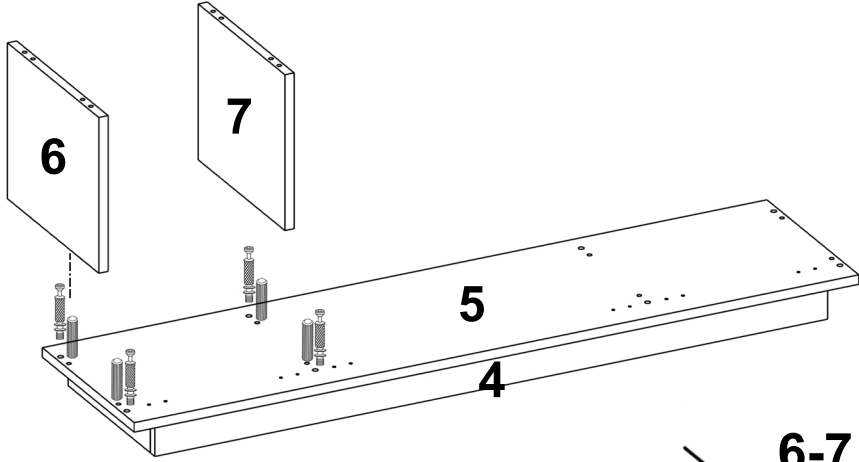
B0501



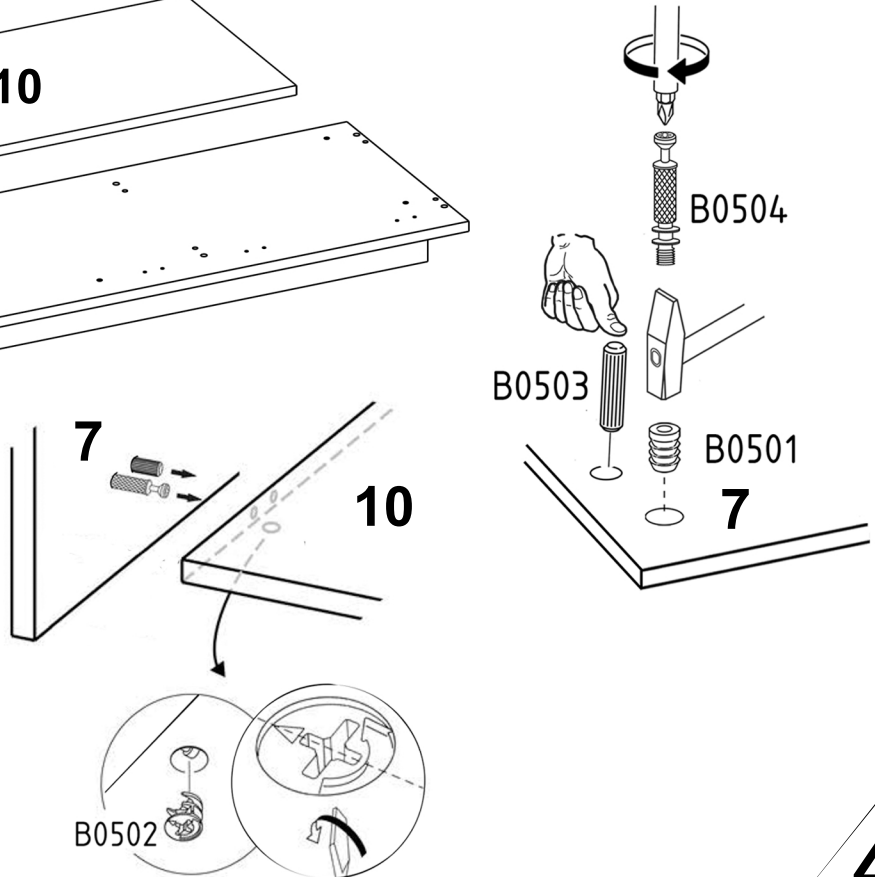
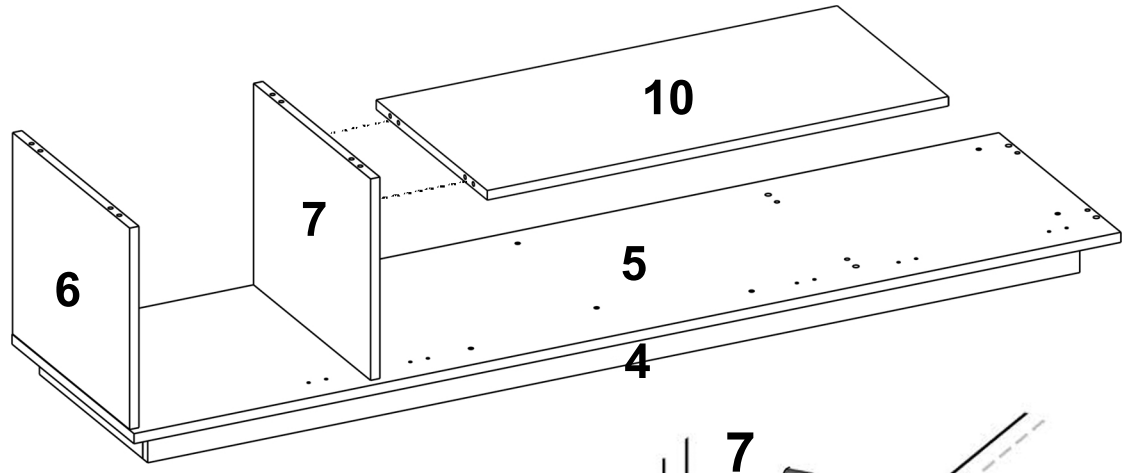
x6

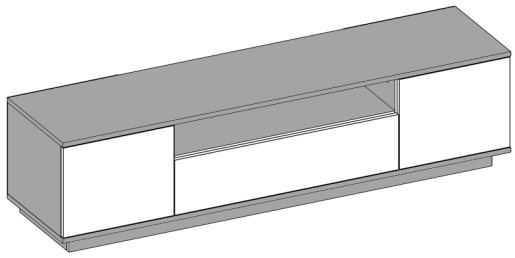


3



4





B0502



x14

B0503



x14

B0504

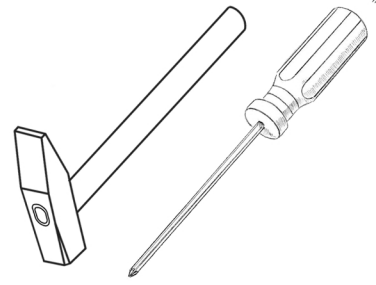


x14

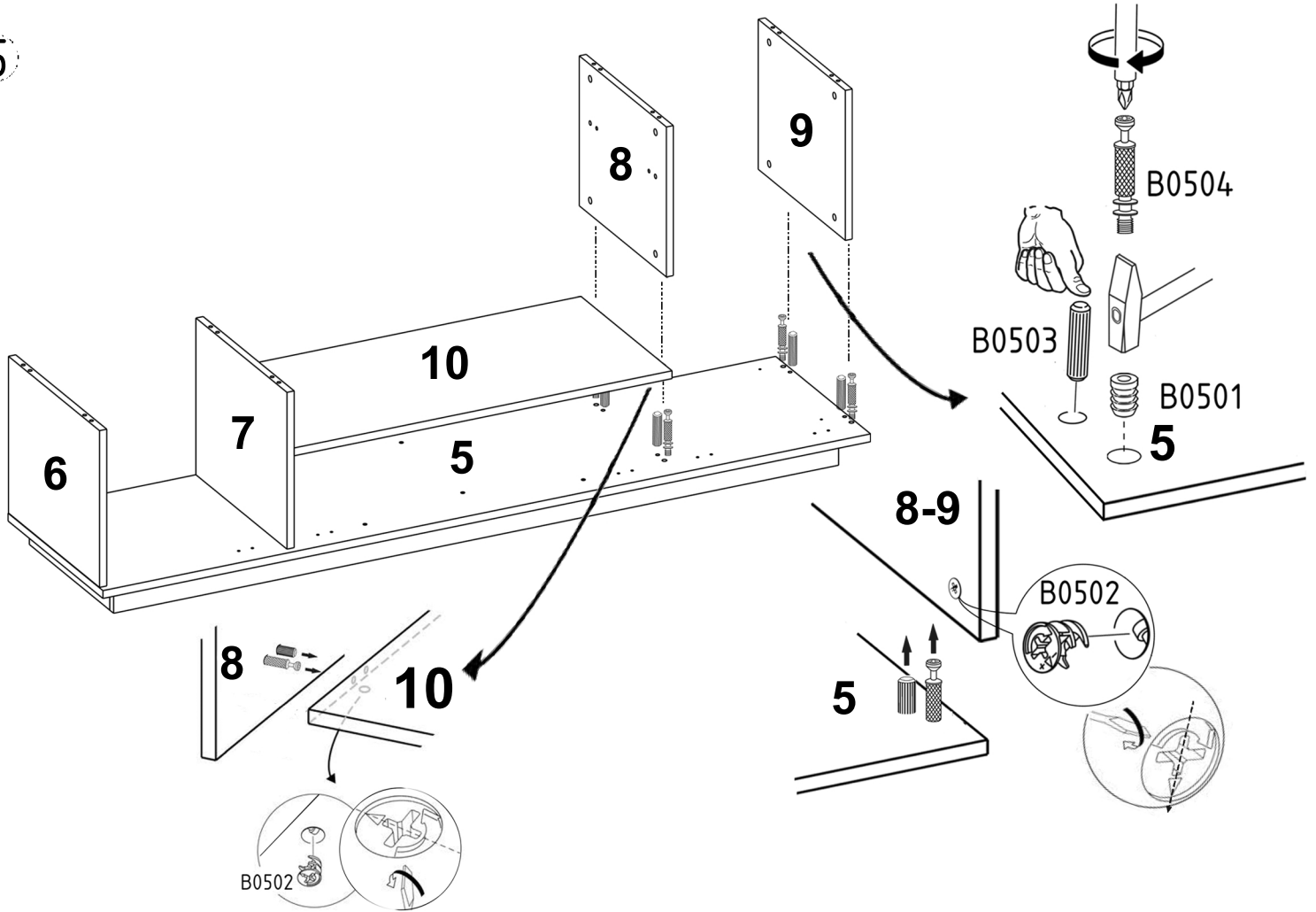
B0501



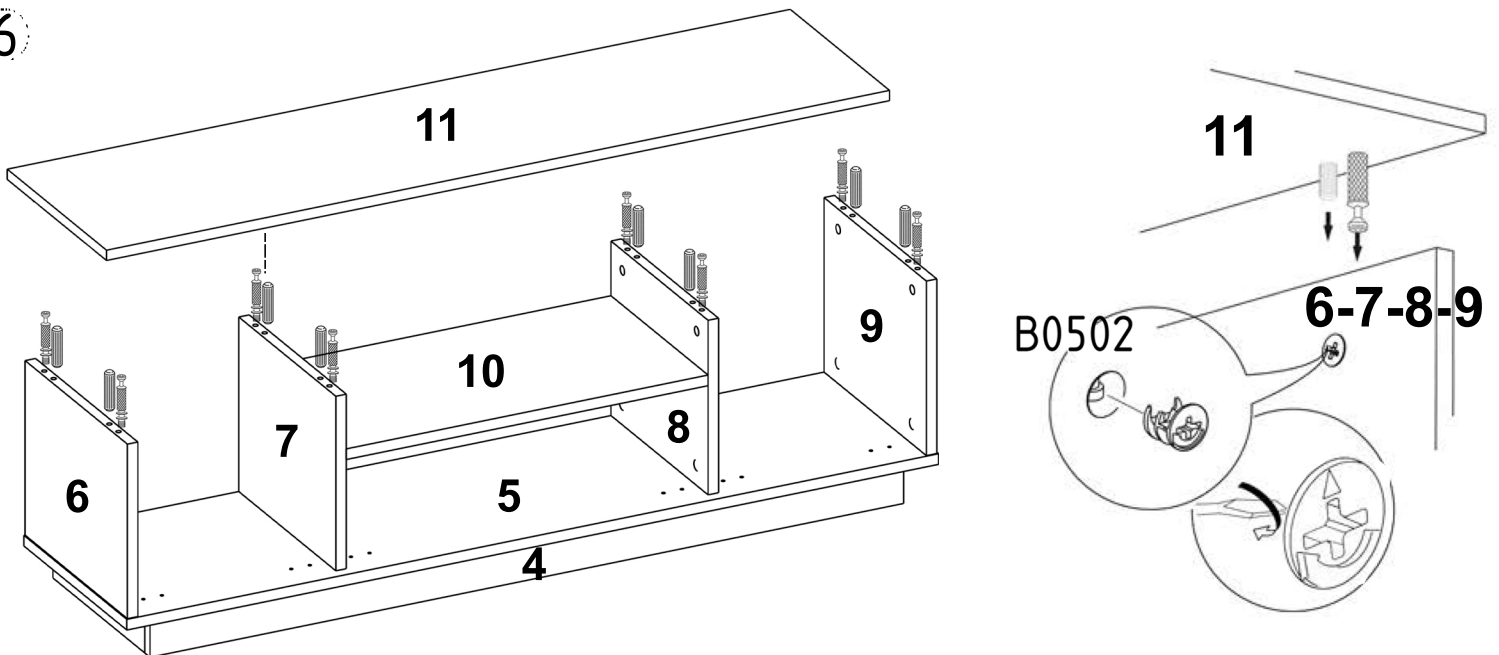
x14

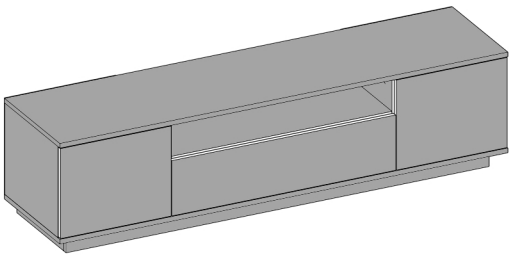


5

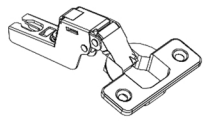


6



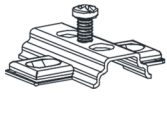


B0103



x6

B0105



x6

B0301

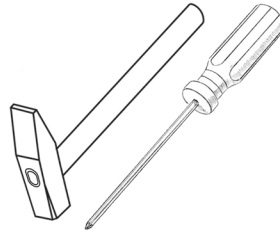


x32

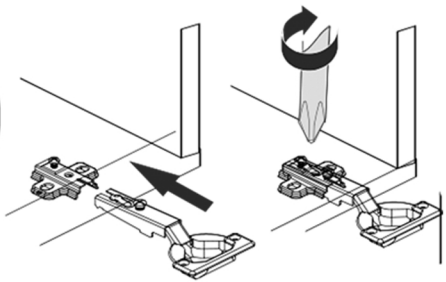
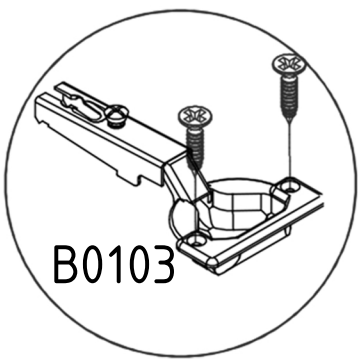
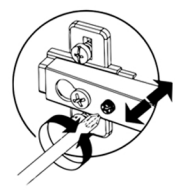
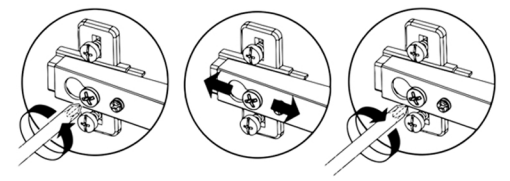
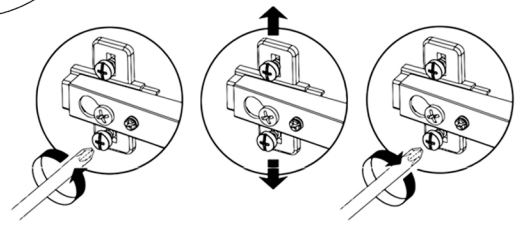
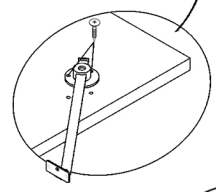
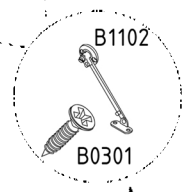
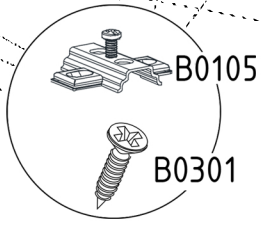
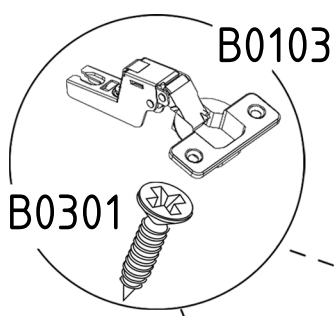
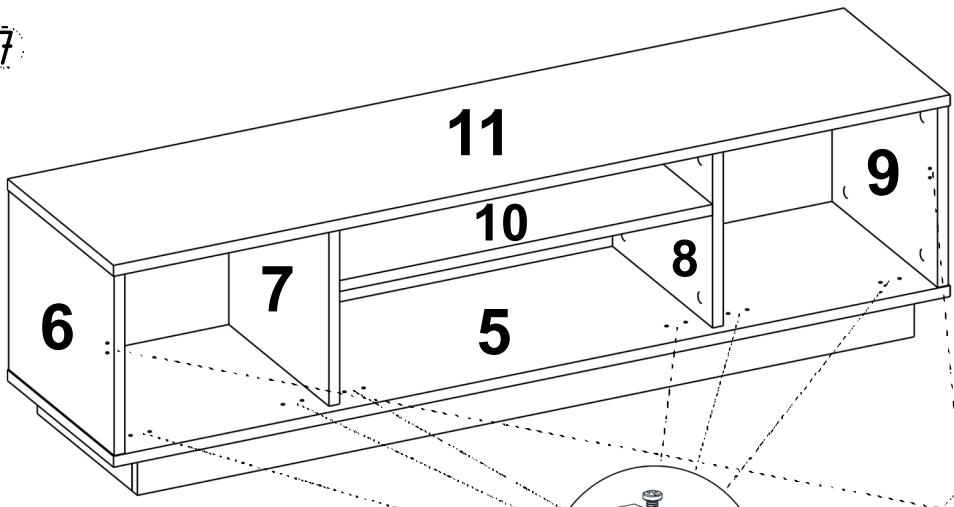
B1102

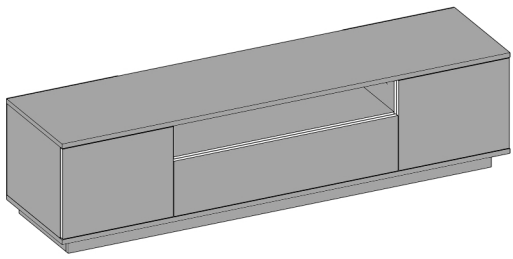


x2



7



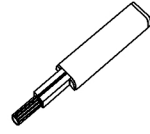


B0318



x45

B1403

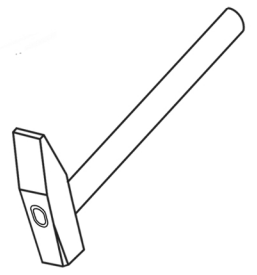


x3

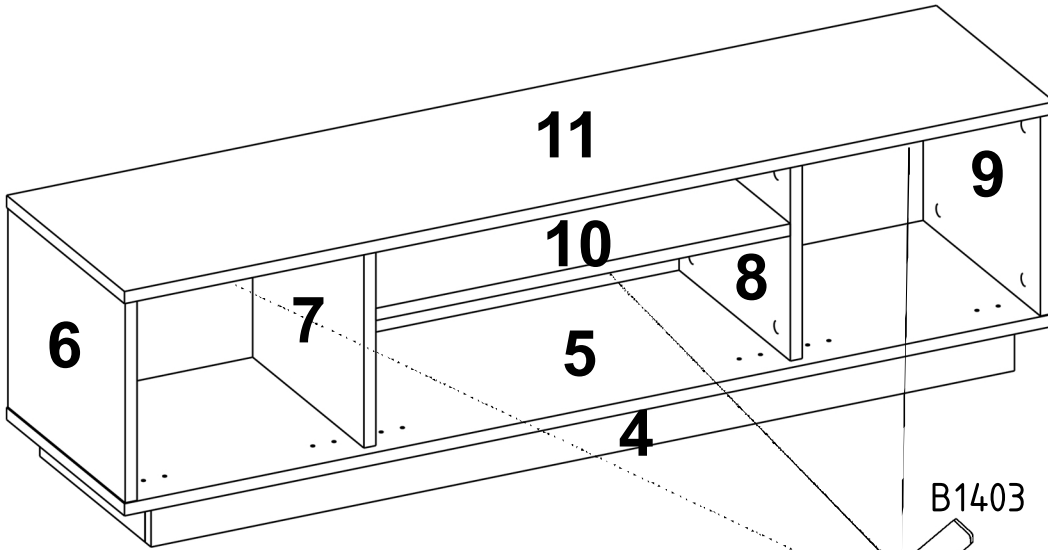
B0301



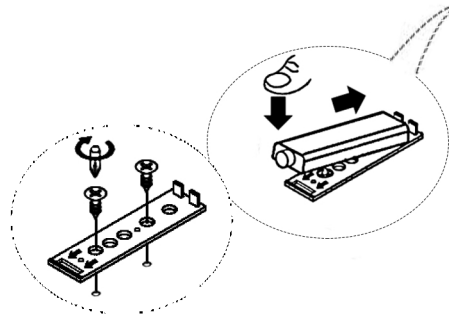
x6



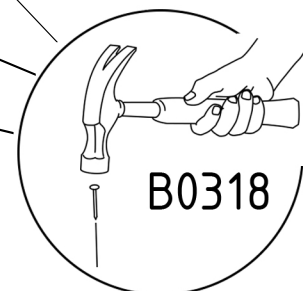
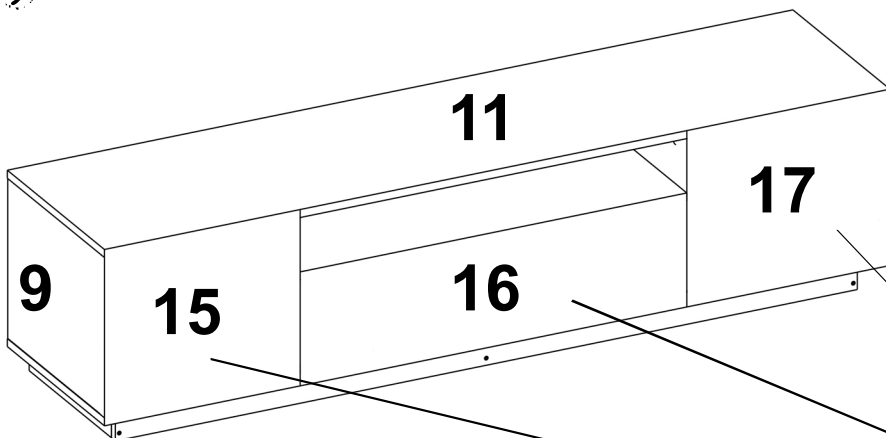
8



B1403



9



B0318