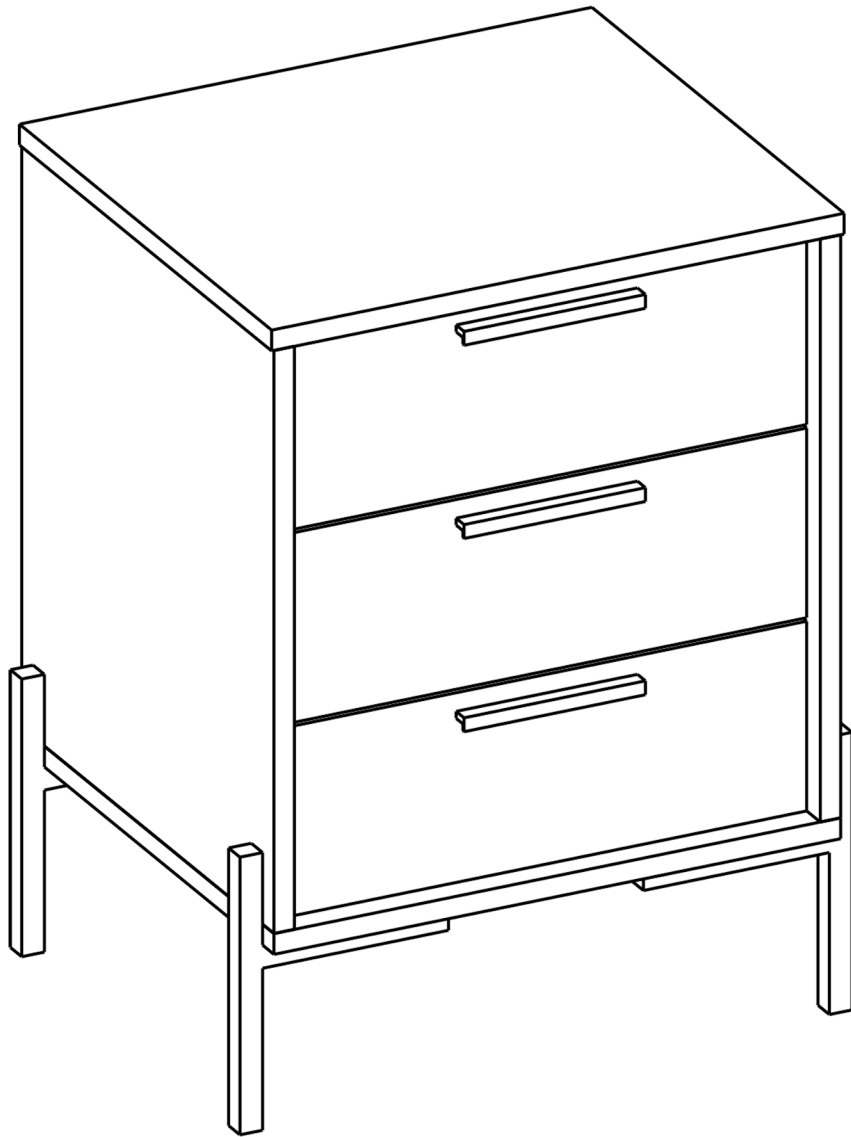


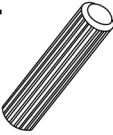
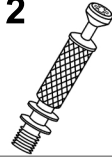






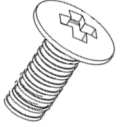
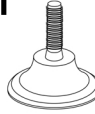
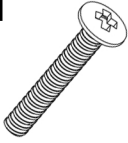

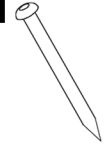
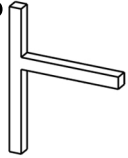
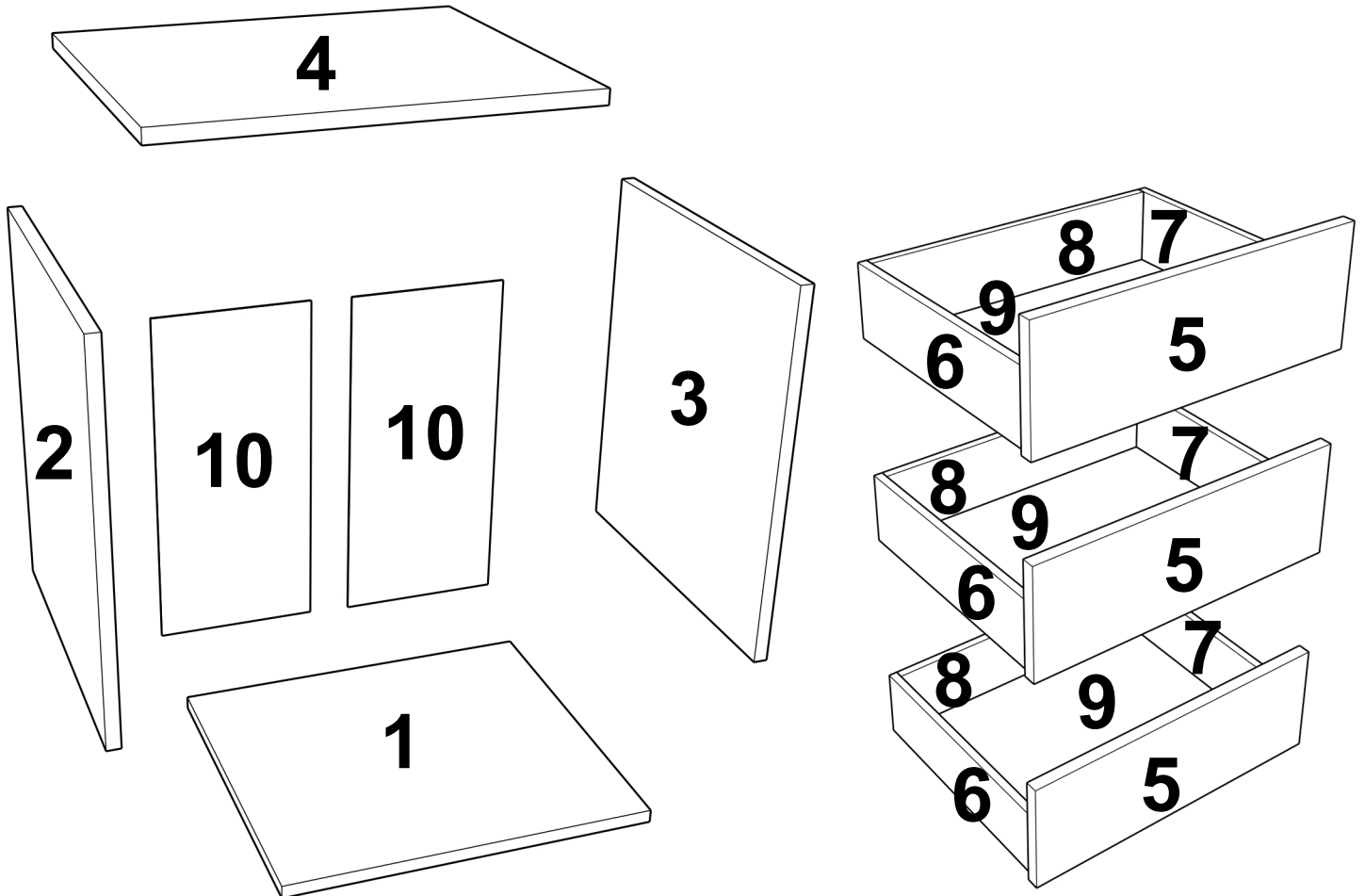
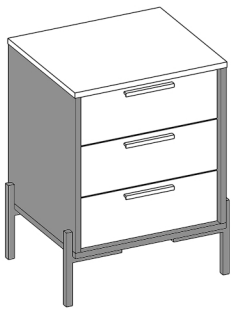


VS3



2  B0501 x8	2  B0502 x8	2  B0503 x8	2  B0504 x8	1  B0301 x12
1  B0304 x12	2  B0511 x12	2  B0510 x12	1  B0328 x6	P  B0905 x6
1  B0324 x12	1  B1702 x4	1  B0307 x6	1  B0201 x3	1  B0318 x15
P  D0155 x4				





D0155



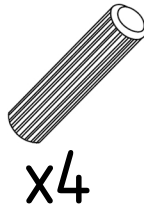
x4

B0502



x4

B0503



x4

B0504



x4

B0501

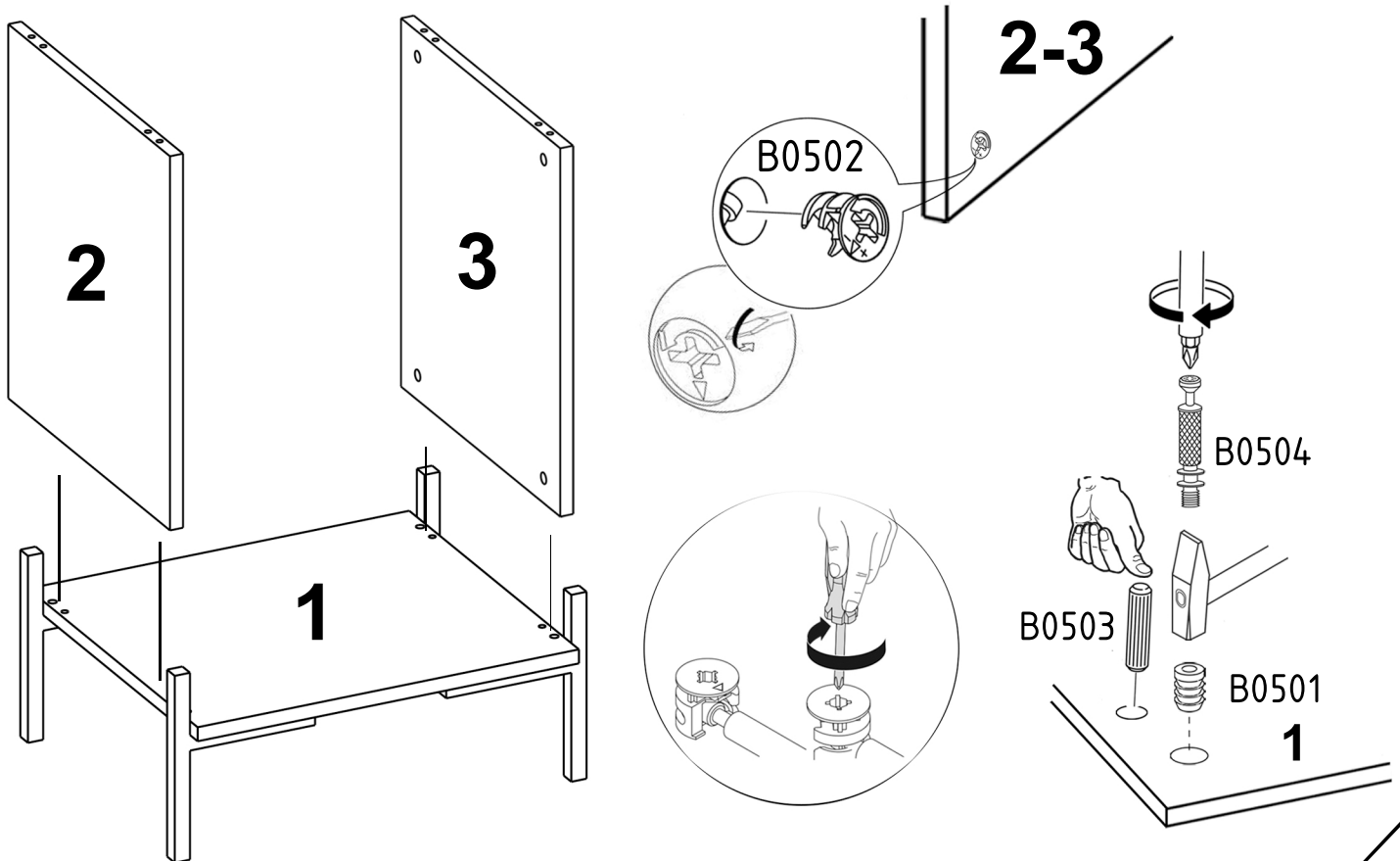
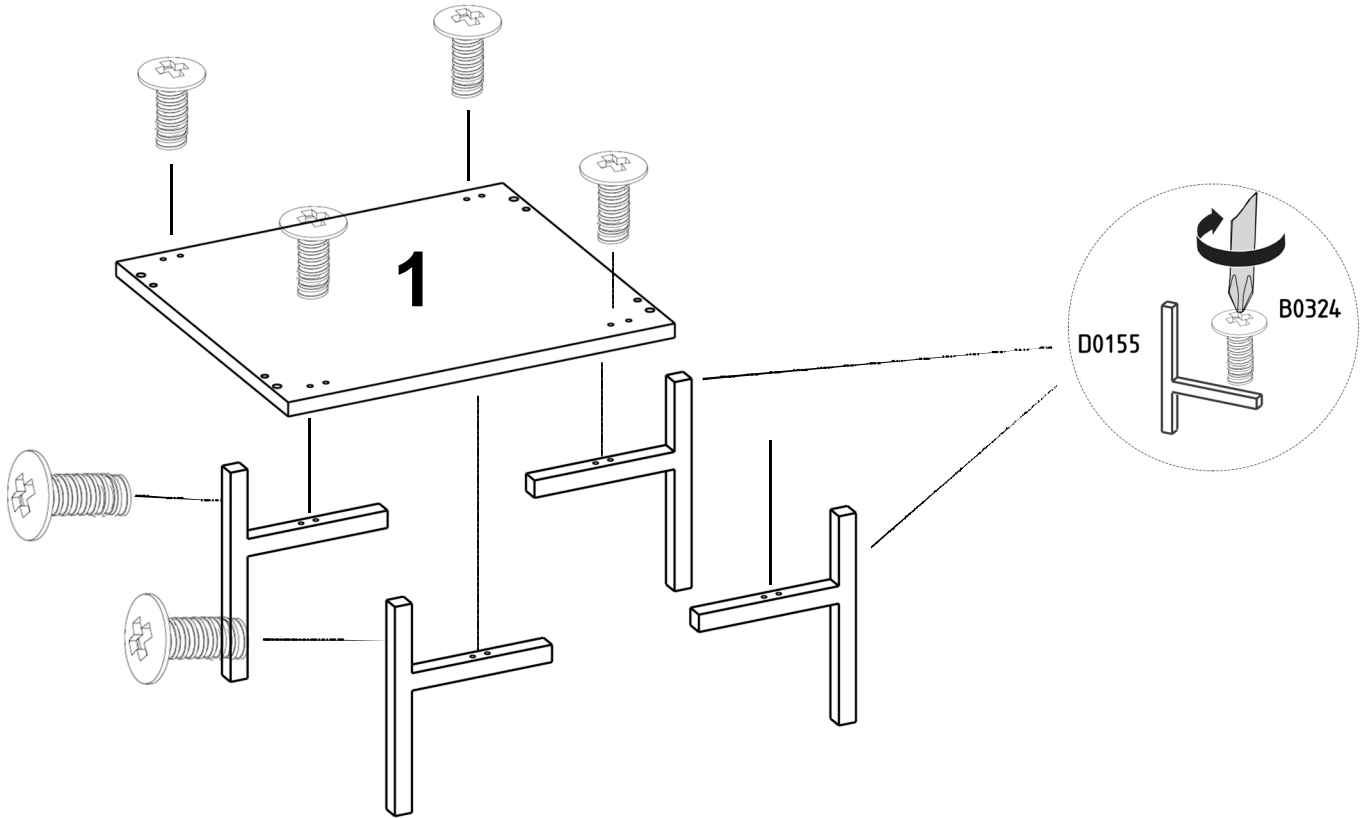
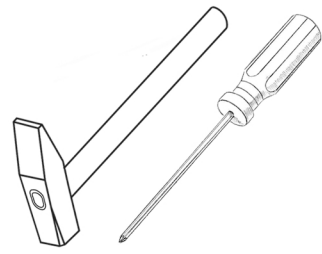


x4

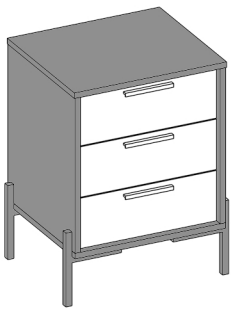
B0324



x12



3

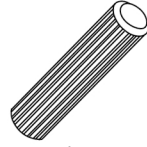


B0502



x4

B0503



x4

B0504

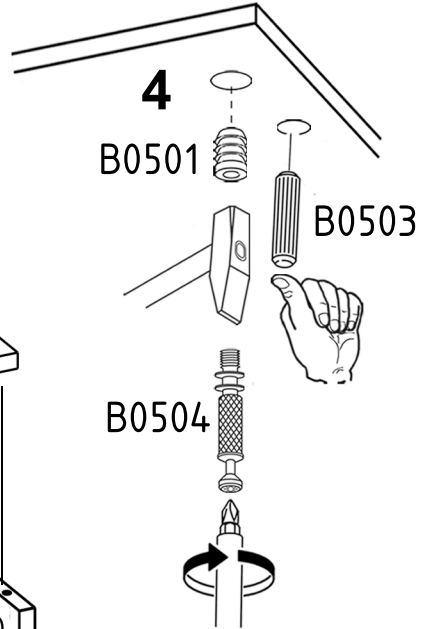
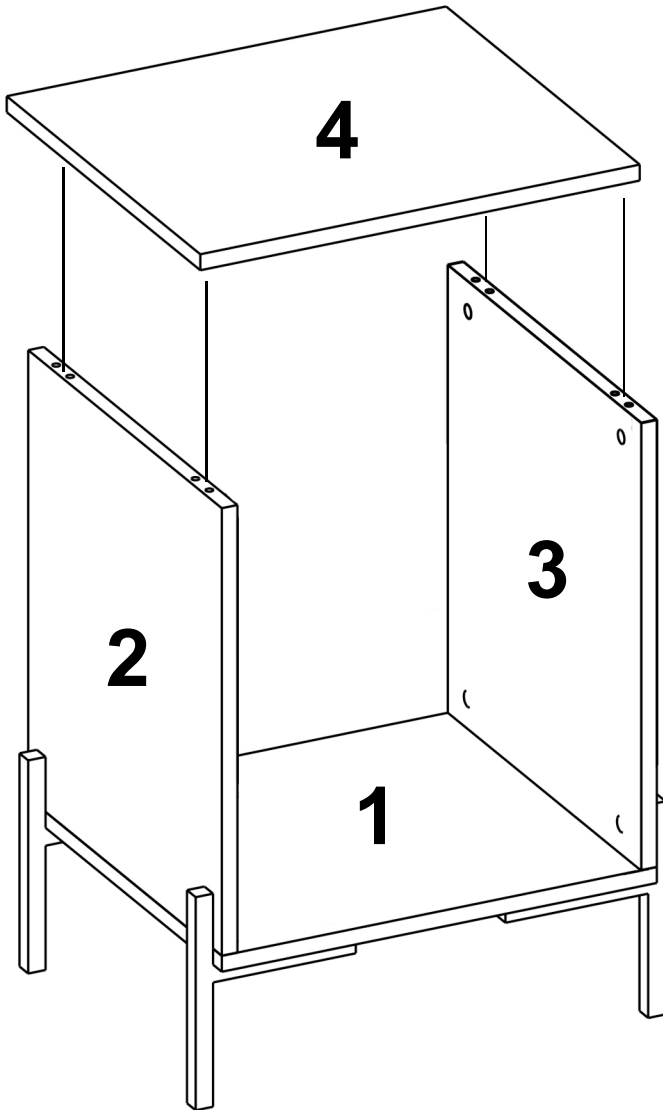
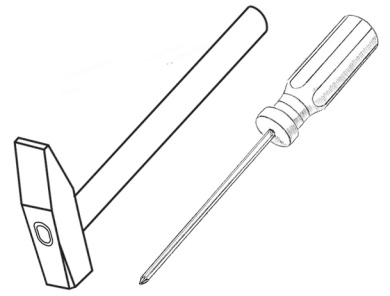


x4

B0501

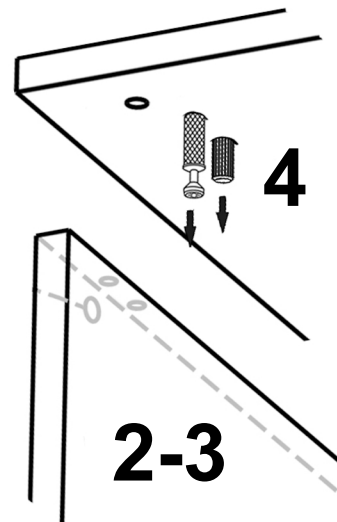
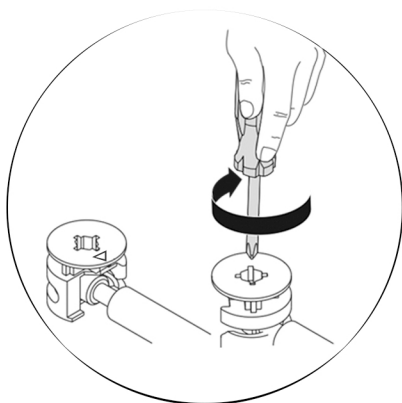
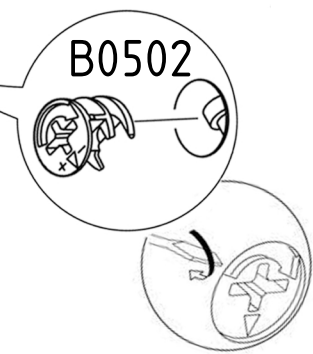


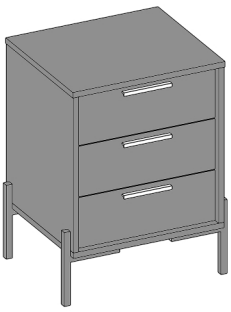
x4



2-3

B0502





B0510

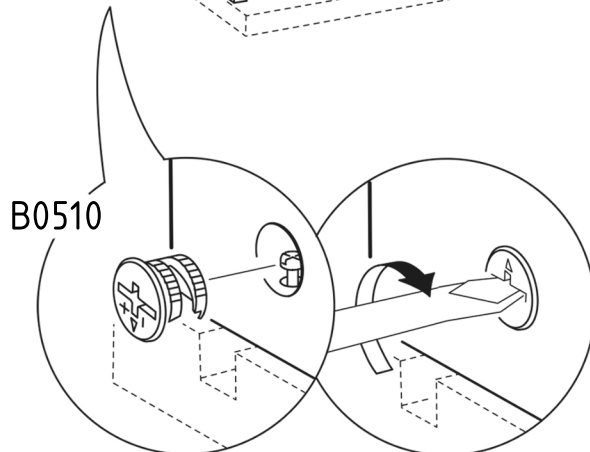
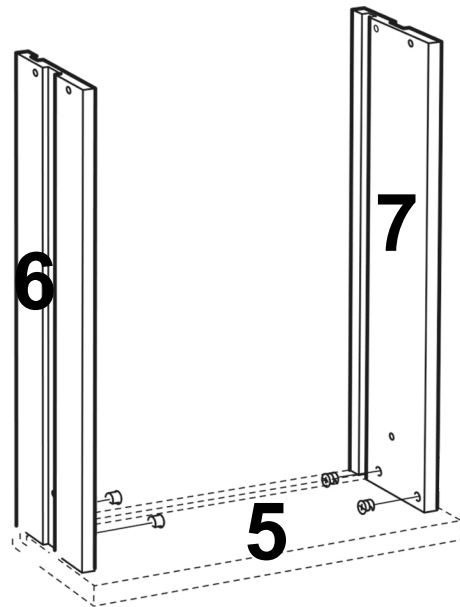
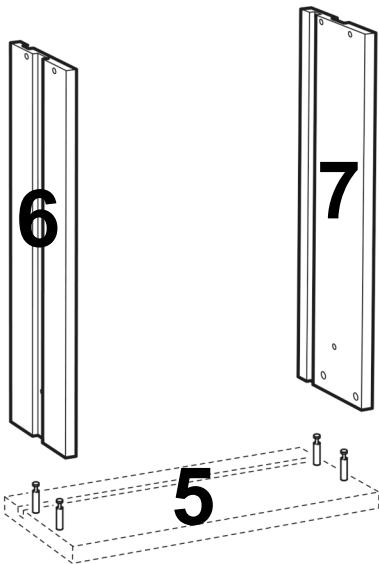
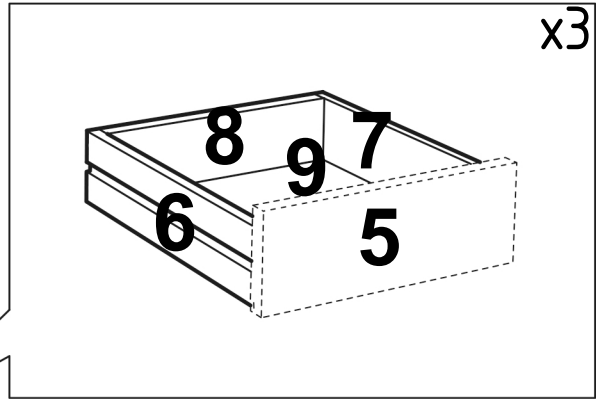
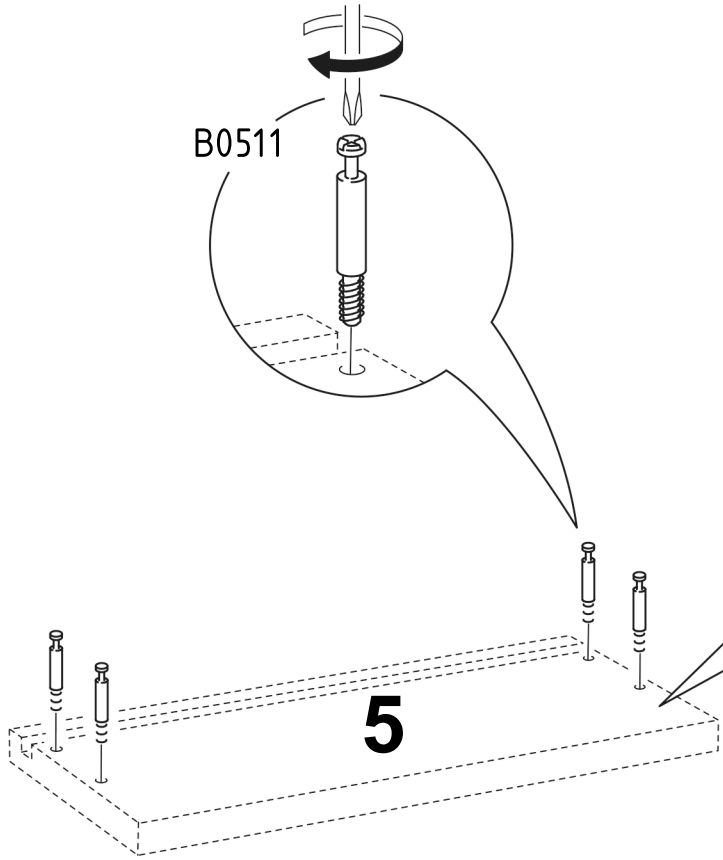
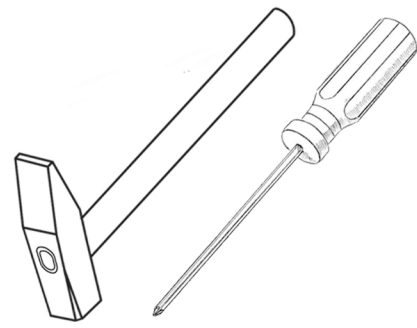


x12

B0511



x12





B0905



x6

B0304



x12

B0301

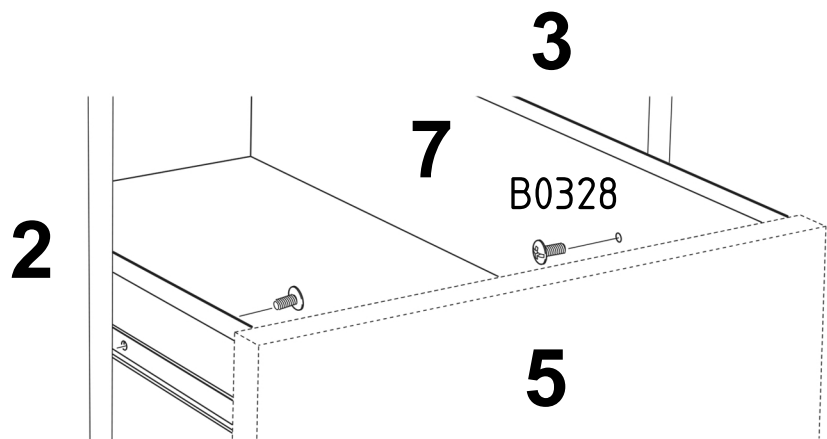
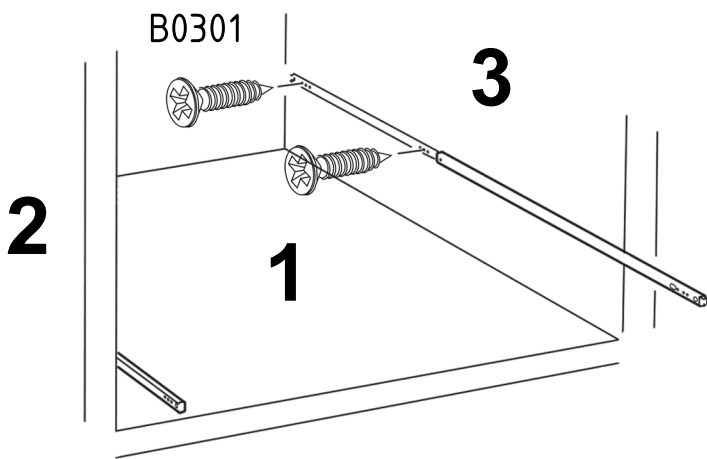
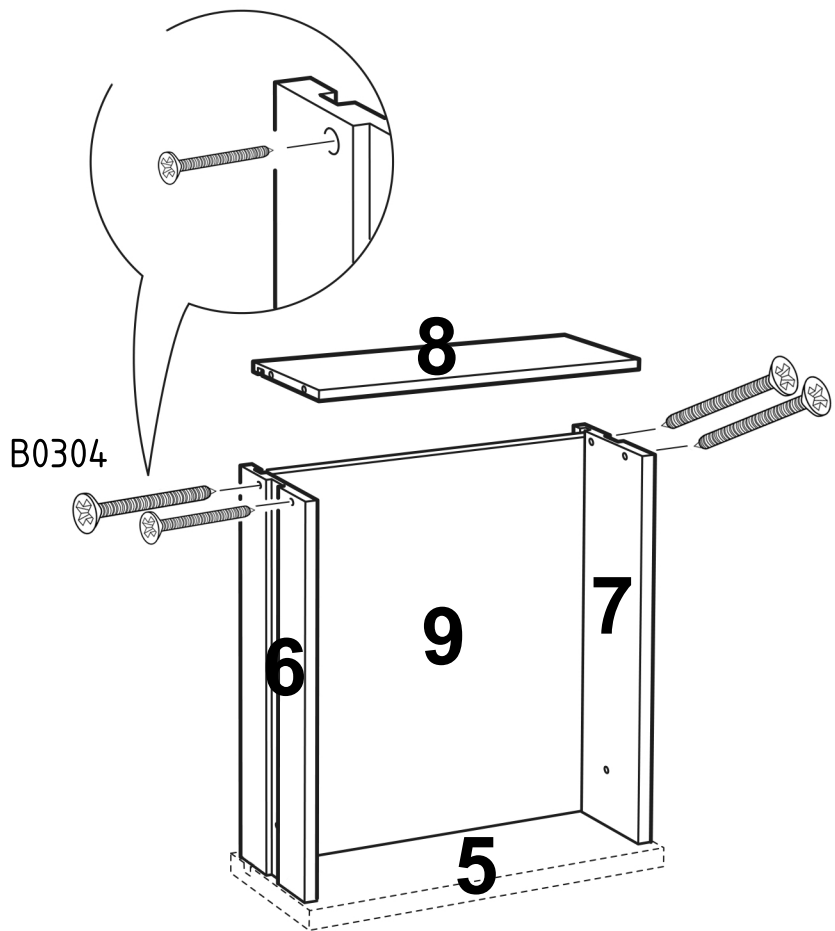
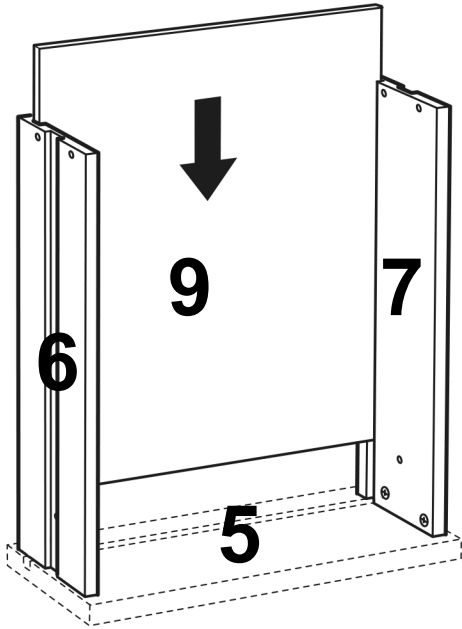
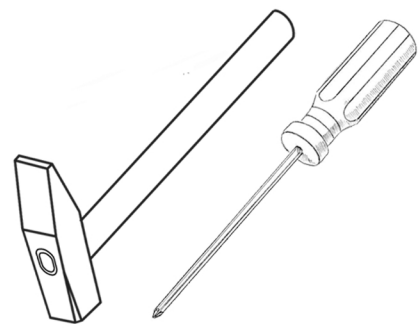


x12

B0328

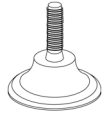


x6





B1702



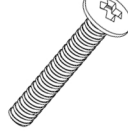
x4

B0318



x??

B0307



x6

B0201



x3

