


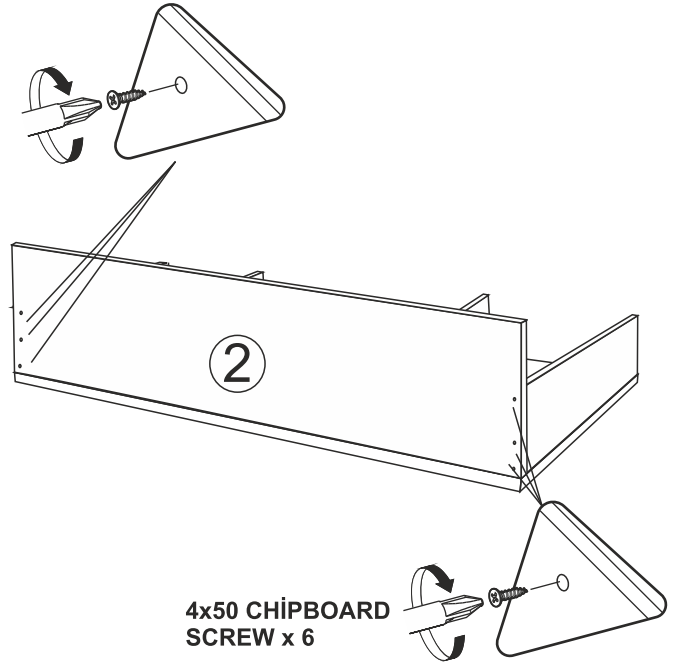
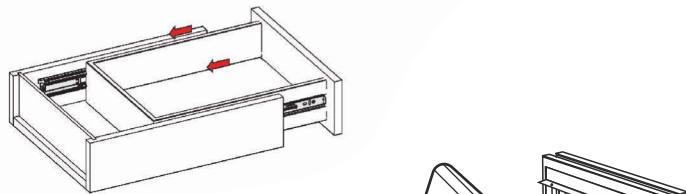
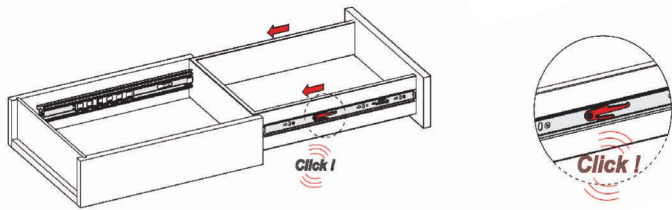
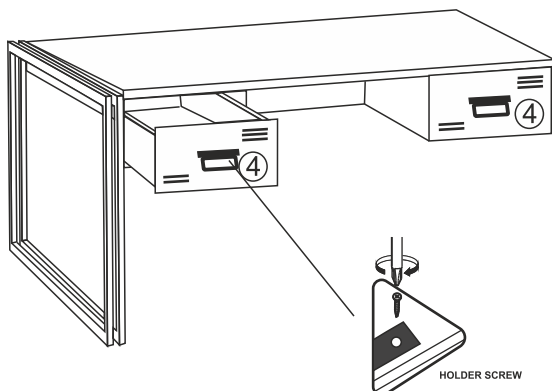
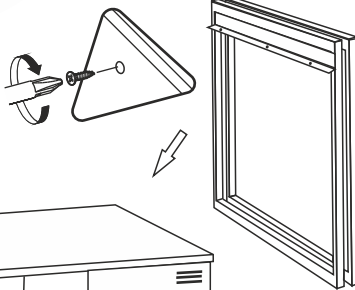
 PULLING SCREW x 12	 FOOT SEAL x 8		
 HOLDER x 2	 HOLDER SCREW x 4		



\* FIX THE ACCESORIES AS SHOWN FOLLOW THE INSTALLATION SEQUENCE WHILE INSTALLING THE PRODUCT .



4x50 CHIPBOARD



## UV2040403 COSMO SIESTA ( TABLE ) ASSEMBLY GUIDE

