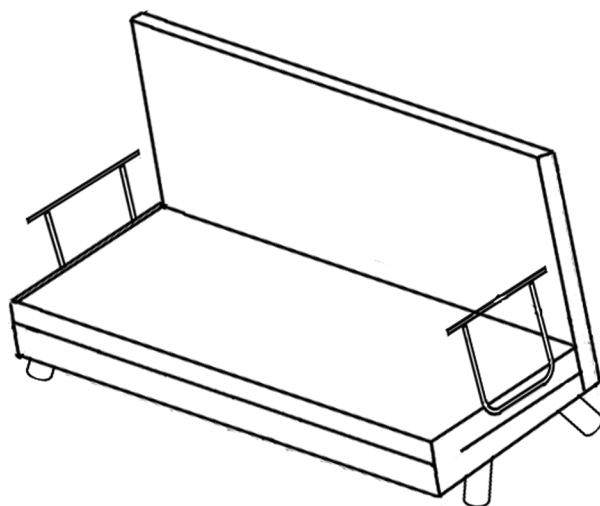
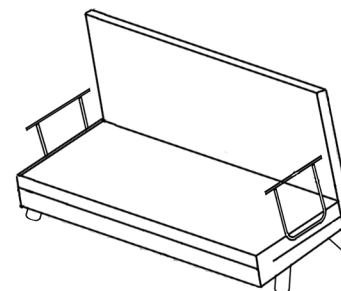


# ASSEMBLY INSTRUCTIONS



## PRODUCT

Sando 2 - Seater Convertible Futon Chair



## ACCESSORIES LIST

ACCESSORIE NAME

M8 \* 35 IMBUS BOLT



8 PIECES

ACCESSORIE NAME

M6 \* 35 IMBUS BOLT



4 PIECES

ACCESSORIE NAME

M8 \* 50 IMBUS BOLT



4 PIECES

ACCESSORIE NAME

NO:5 HEX KEY



1 PIECES

ACCESSORIE NAME

ARMS



2 PIECES

ACCESSORIE NAME

WOODEN ARMS



2 PIECES

ACCESSORIE NAME

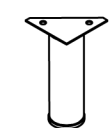
NO:3 HEX KEY



1 PIECES

ACCESSORIE NAME

LEGS



4 PIECES

# ASSEMBLY INSTRUCTIONS

