

# LIZA DRESSER

---

## Assembly Manual







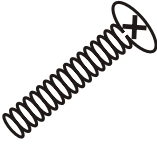


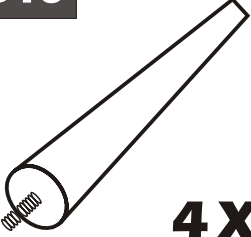
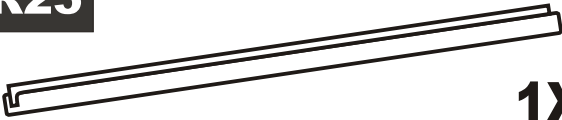
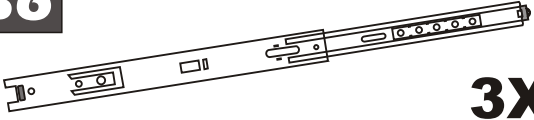
---

**Kalune Design**  
Furniture

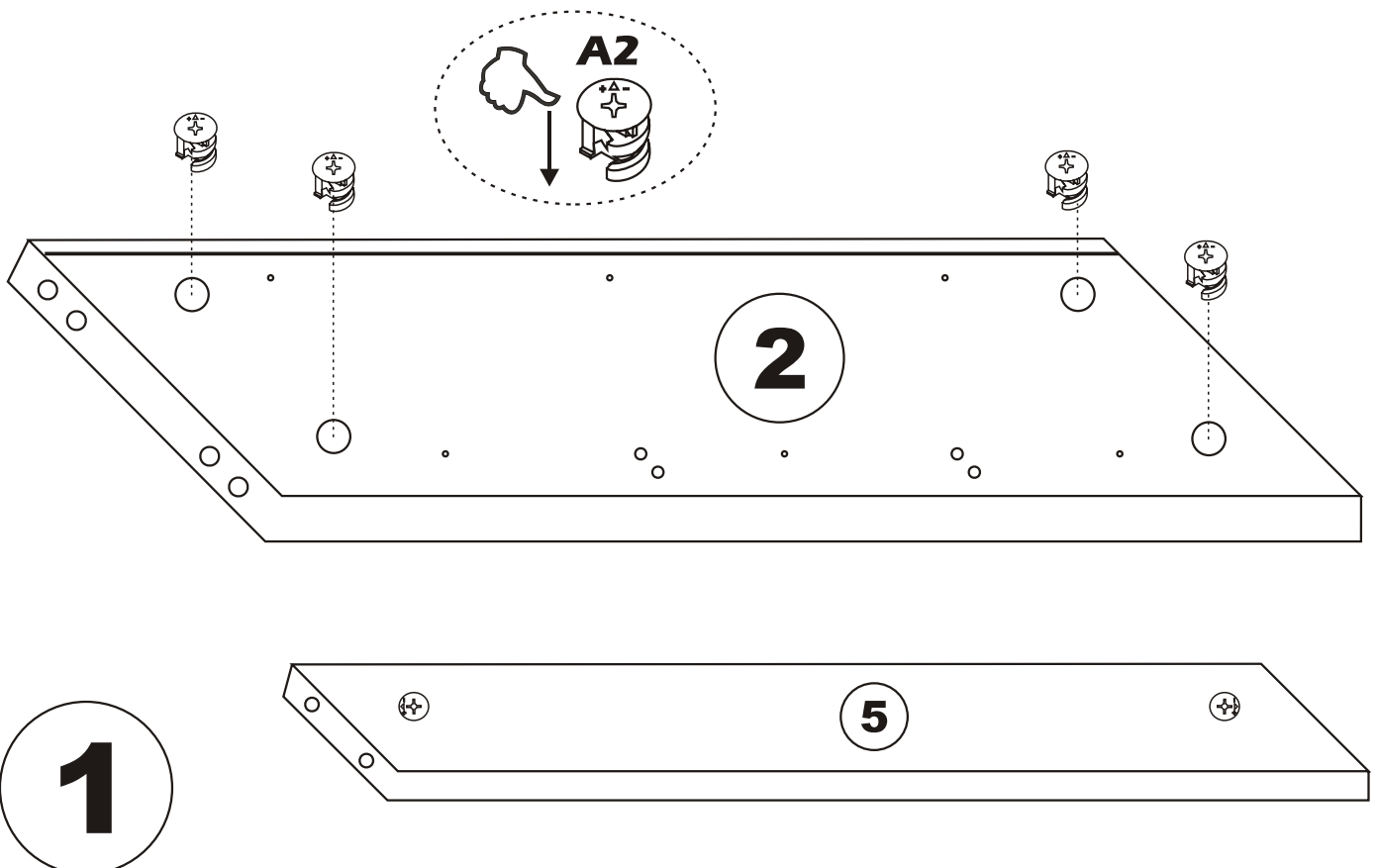
# ATTENTION !!

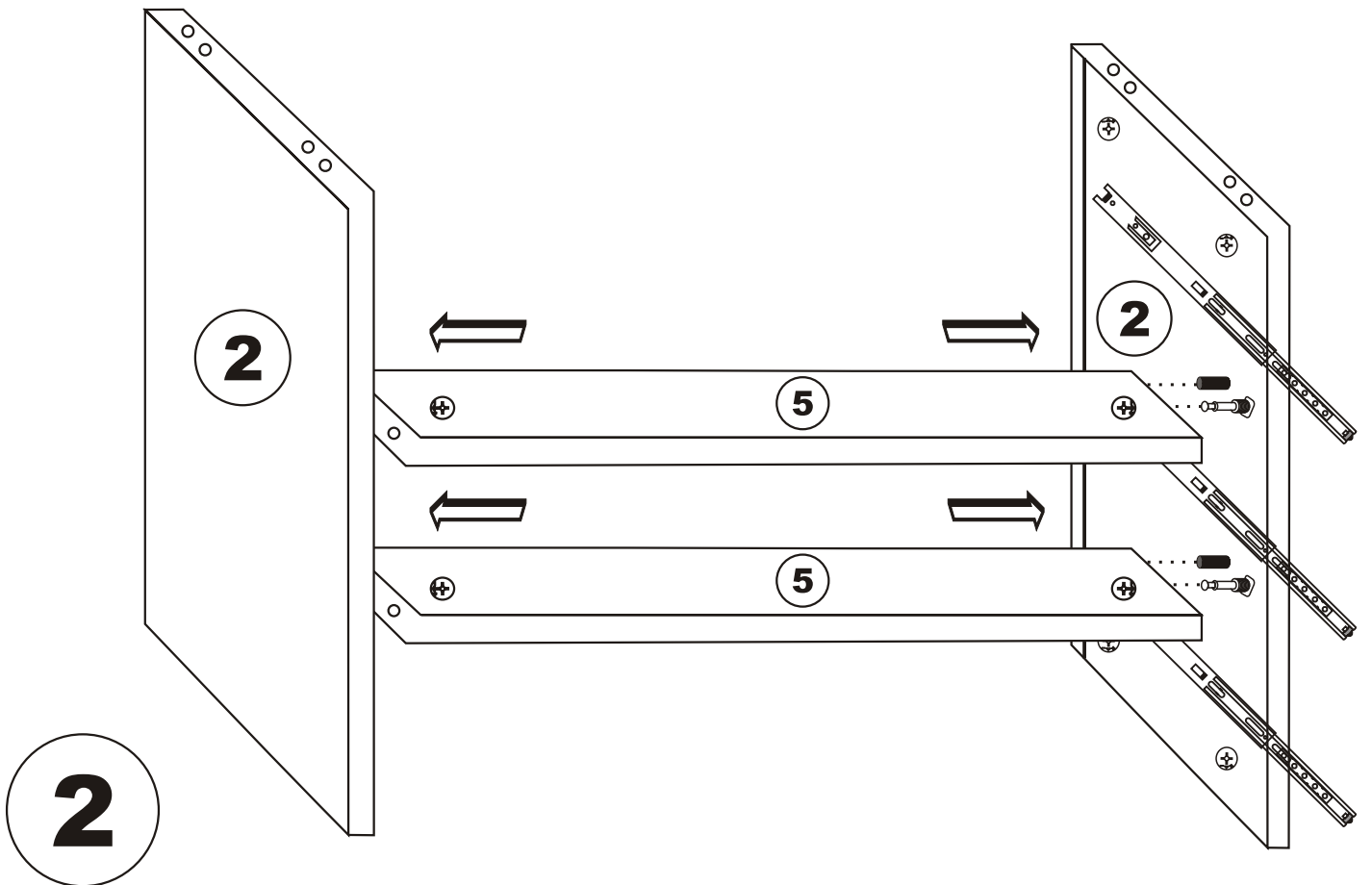
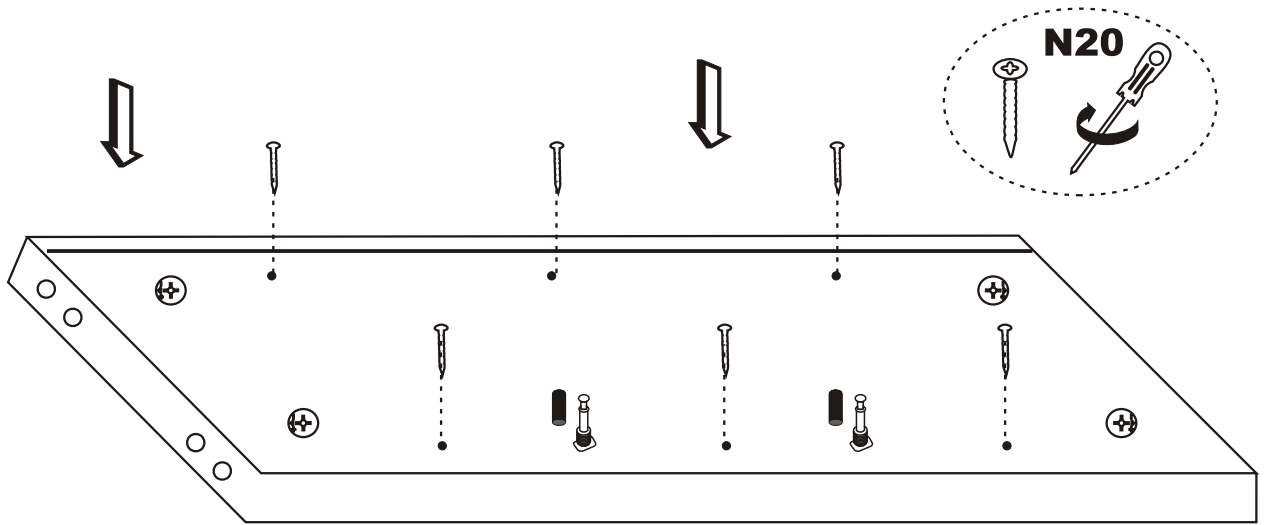
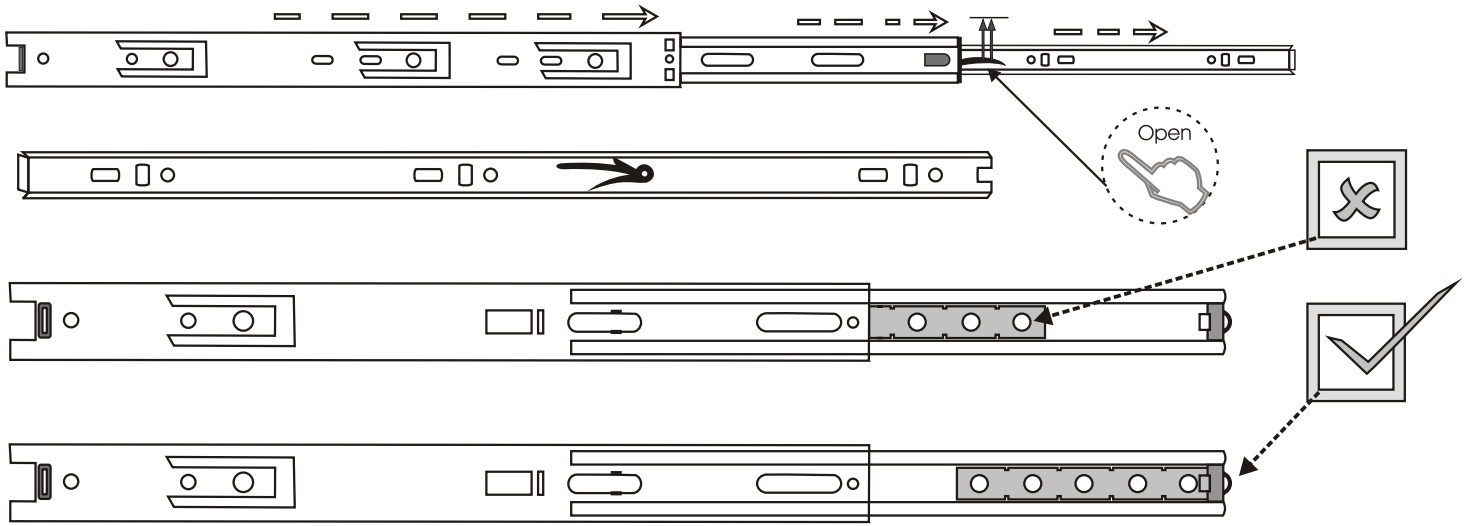
Minifix is the main connection material used in Decortile products ,  
Before starting assembly , Please check the drawings below

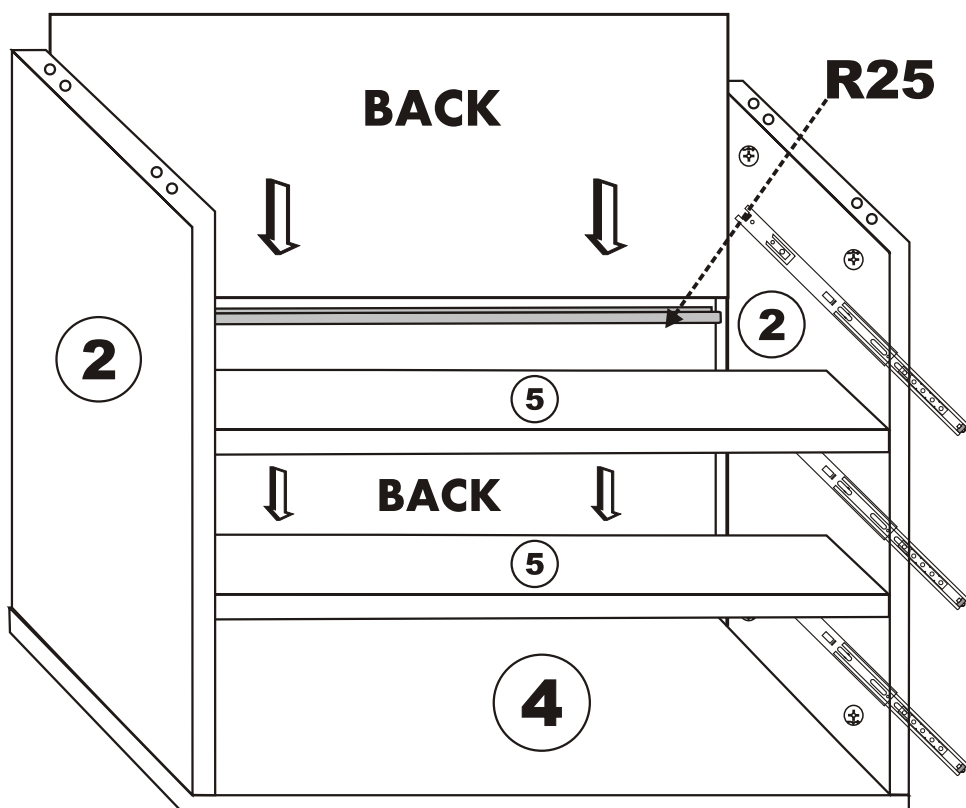
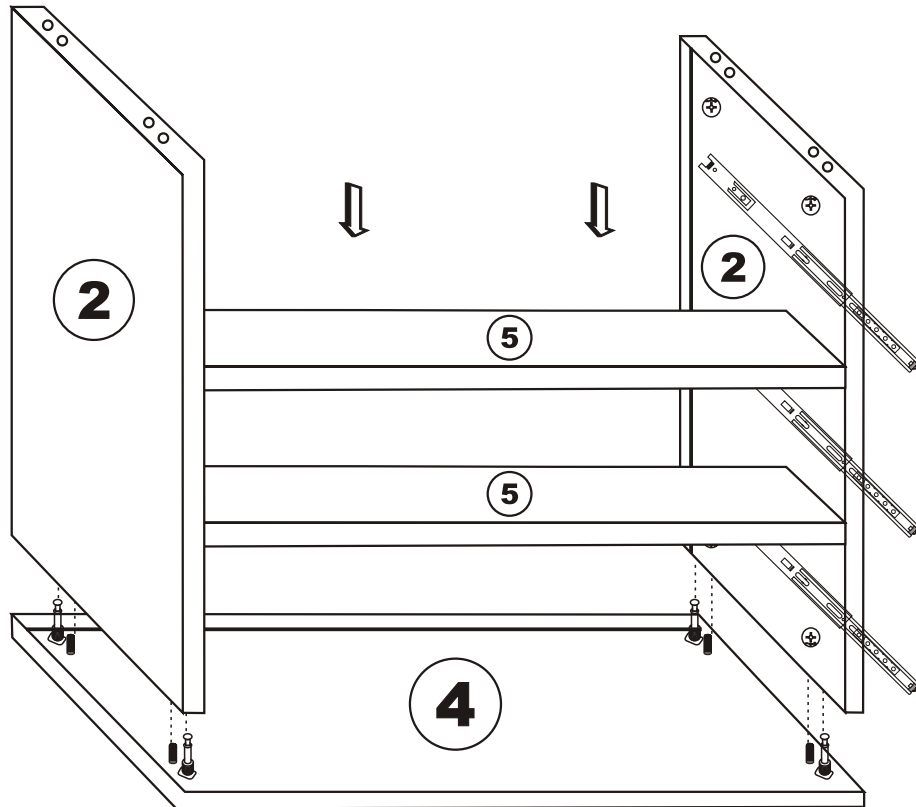
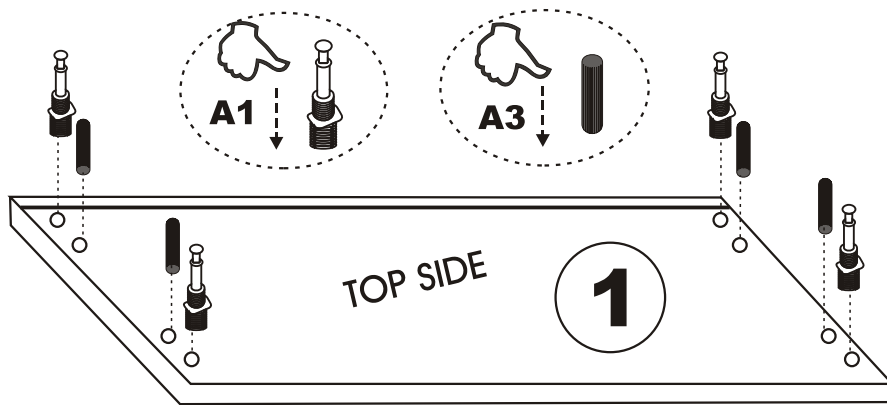
## Accessory List

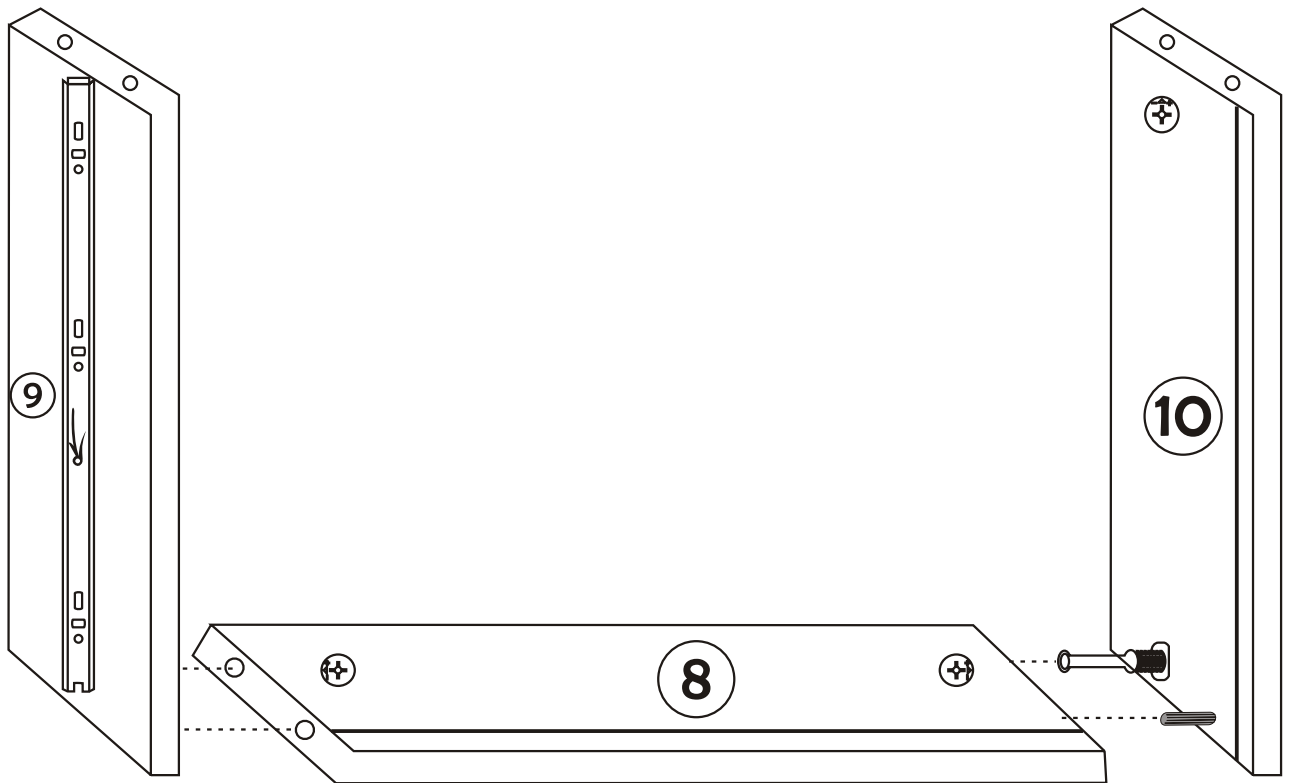
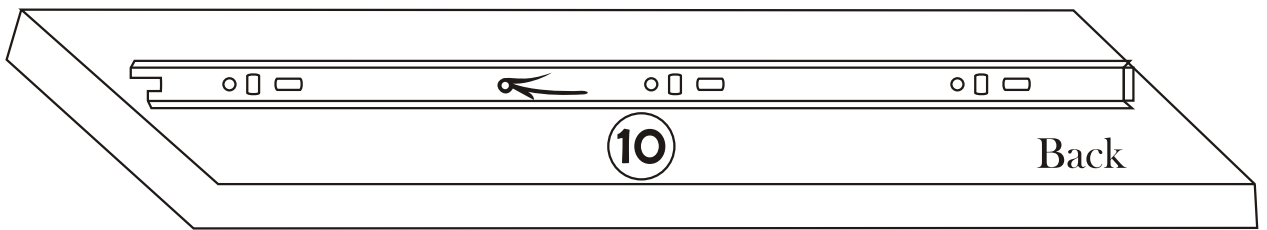
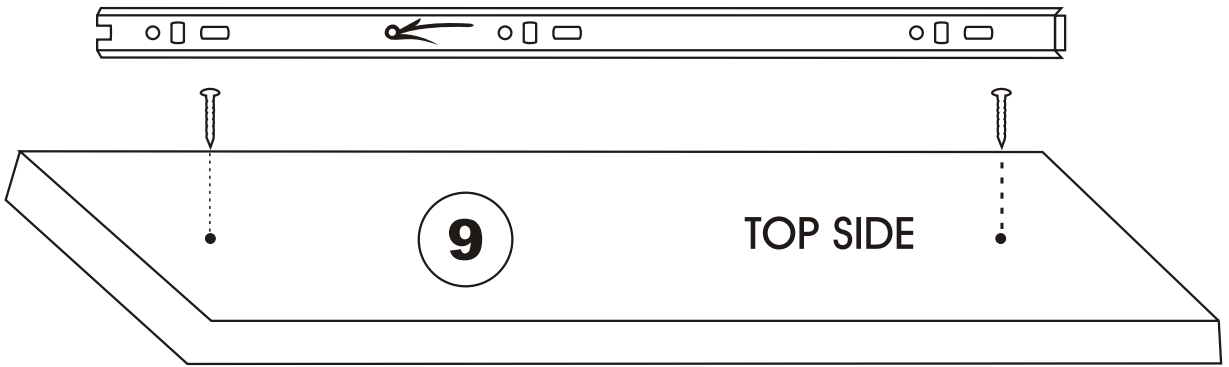
<b>K05</b>  <b>3X</b>	<b>A1</b> Minifix  <b>24 X</b>	<b>A2</b> Minifix  <b>24 X</b>	<b>A3</b>  <b>24 X</b>
<b>K03</b>  <b>3X</b>	<b>R11</b>  <b>10X</b>	<b>N20</b>  <b>34X</b>	<b>B10</b>  <b>4X</b>
<b>R25</b>  <b>1X</b>	<b>B6</b>  <b>3X</b>		

## General View

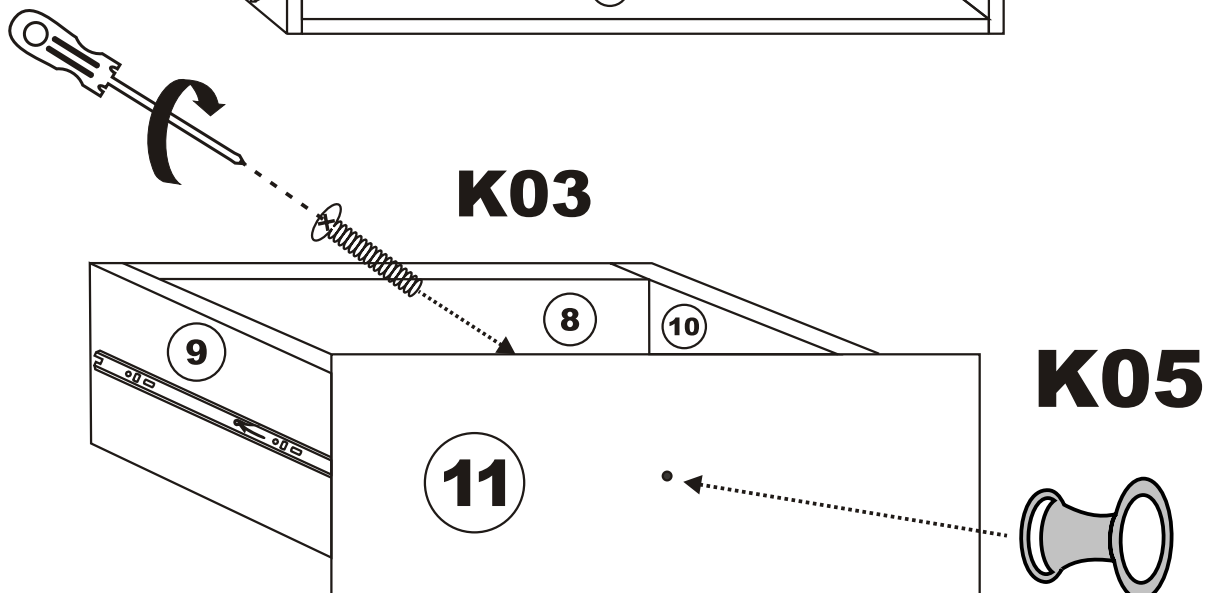
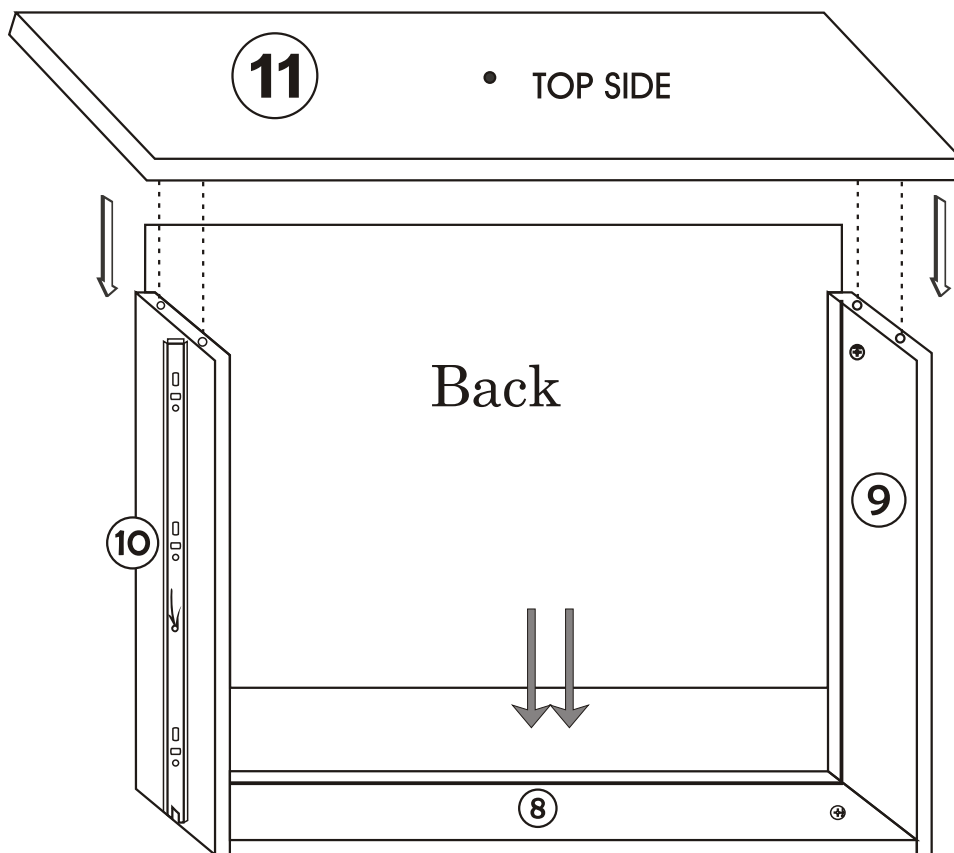
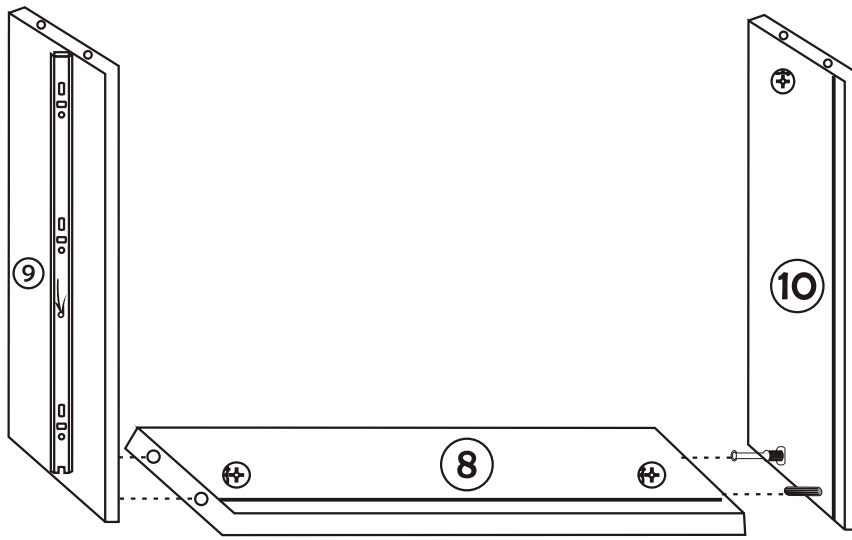




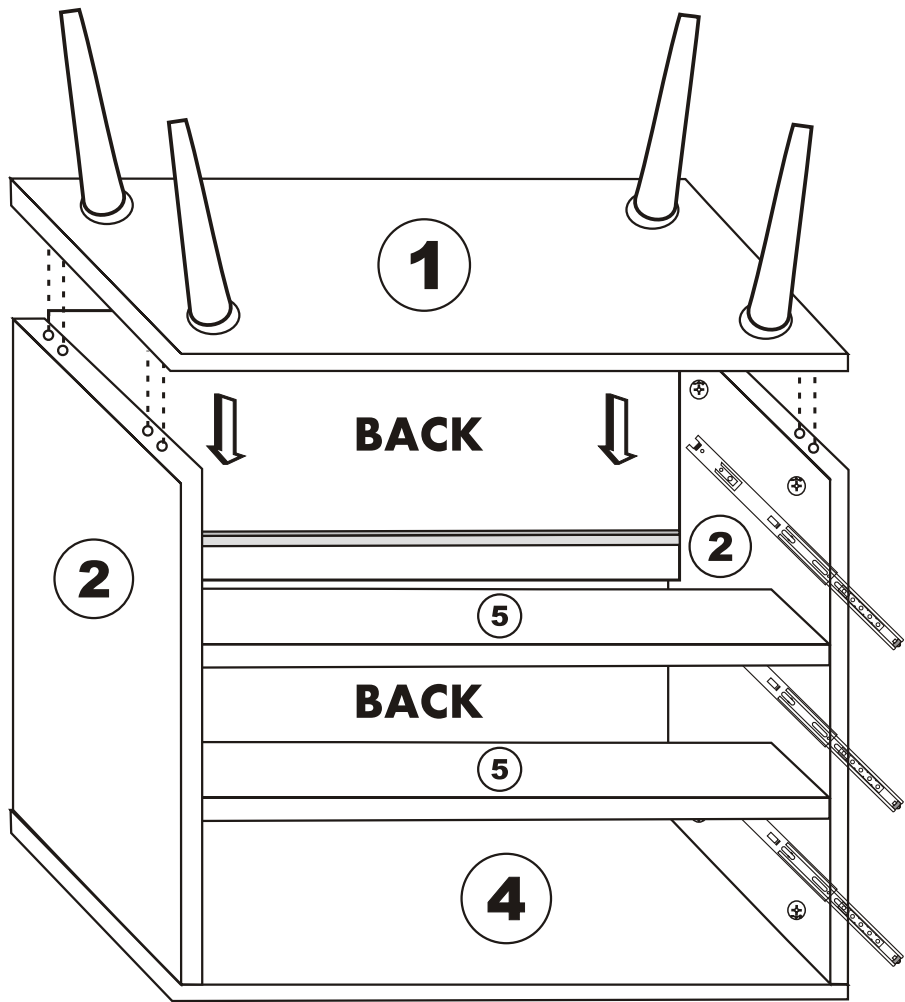




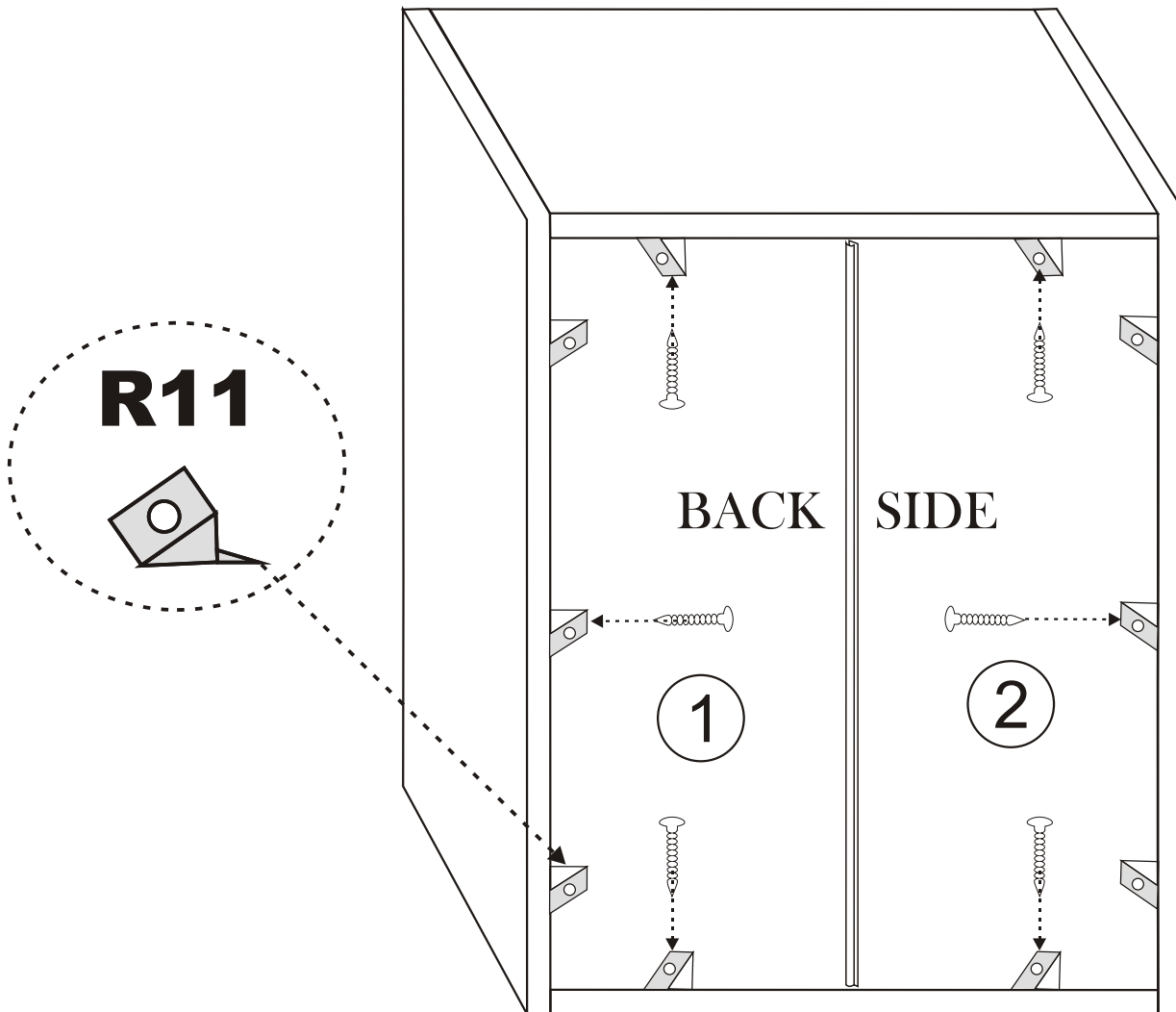
4



6



6



Fix the plastic parts included in the accessory pack to all corniture as shown in the picture .

This process will prevent any imbalance that may be caused by an uneven surface and it will provide alonger lasting, comfортаable use .