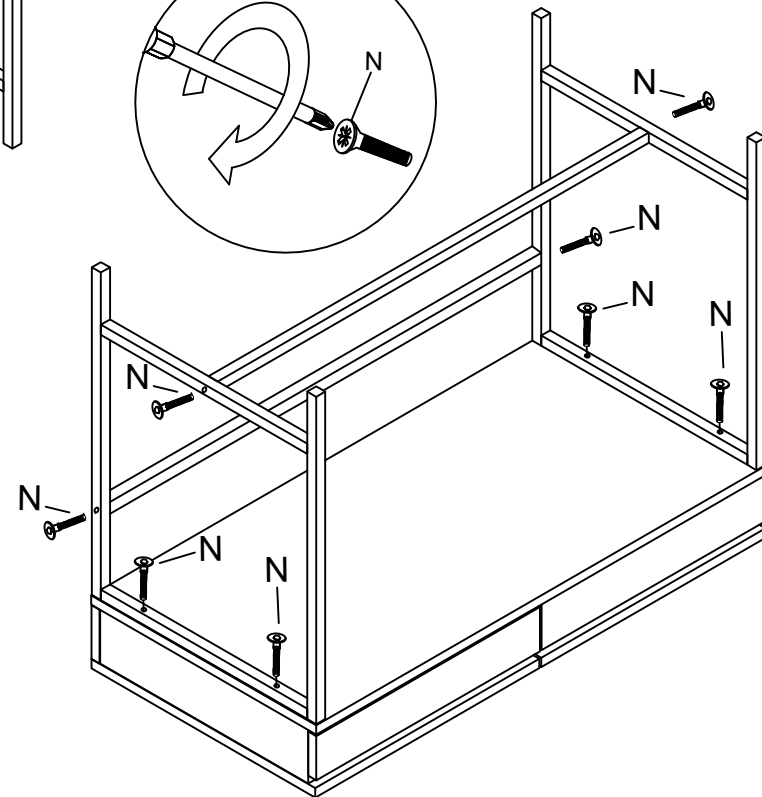
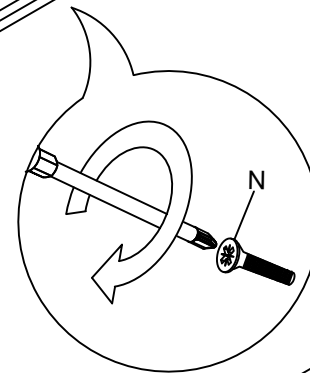
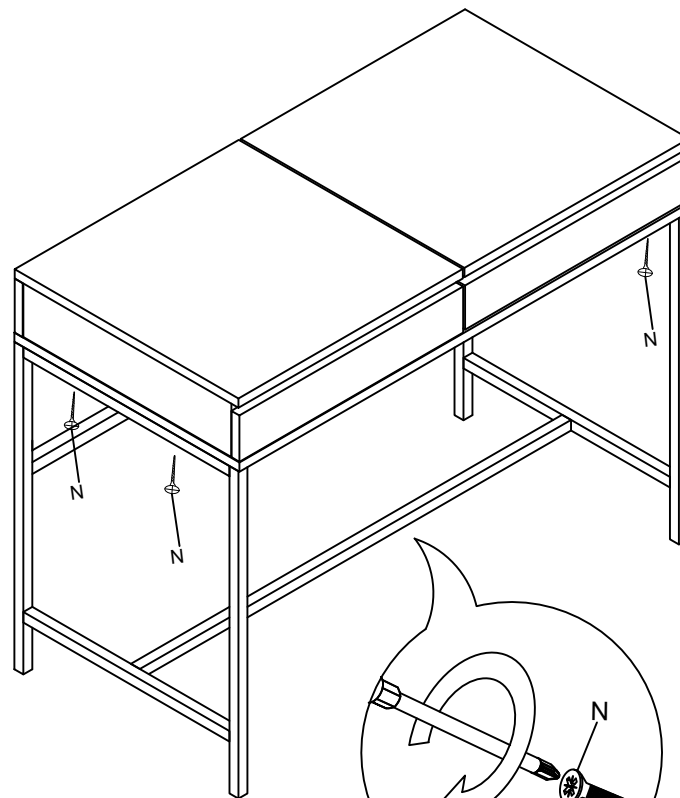
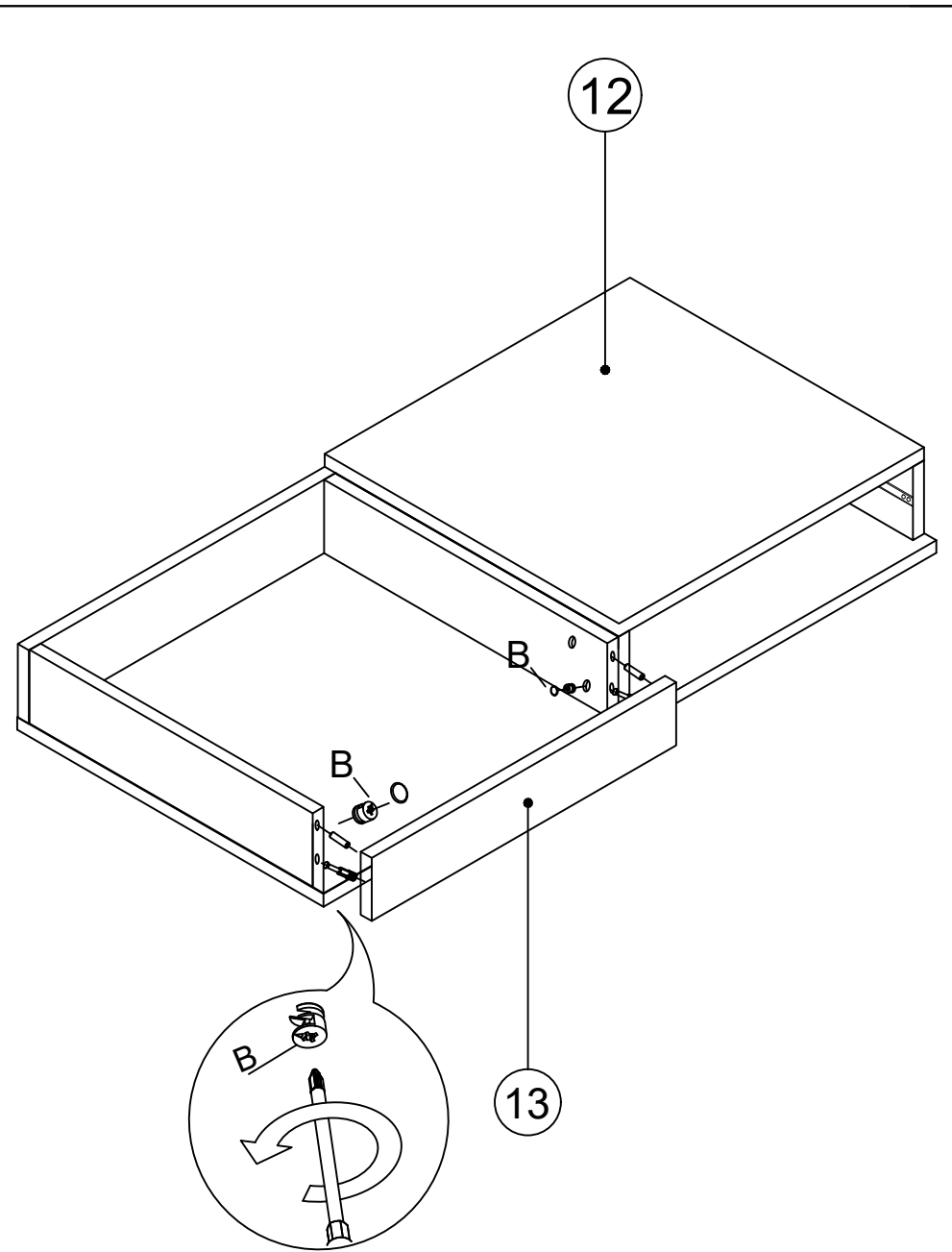
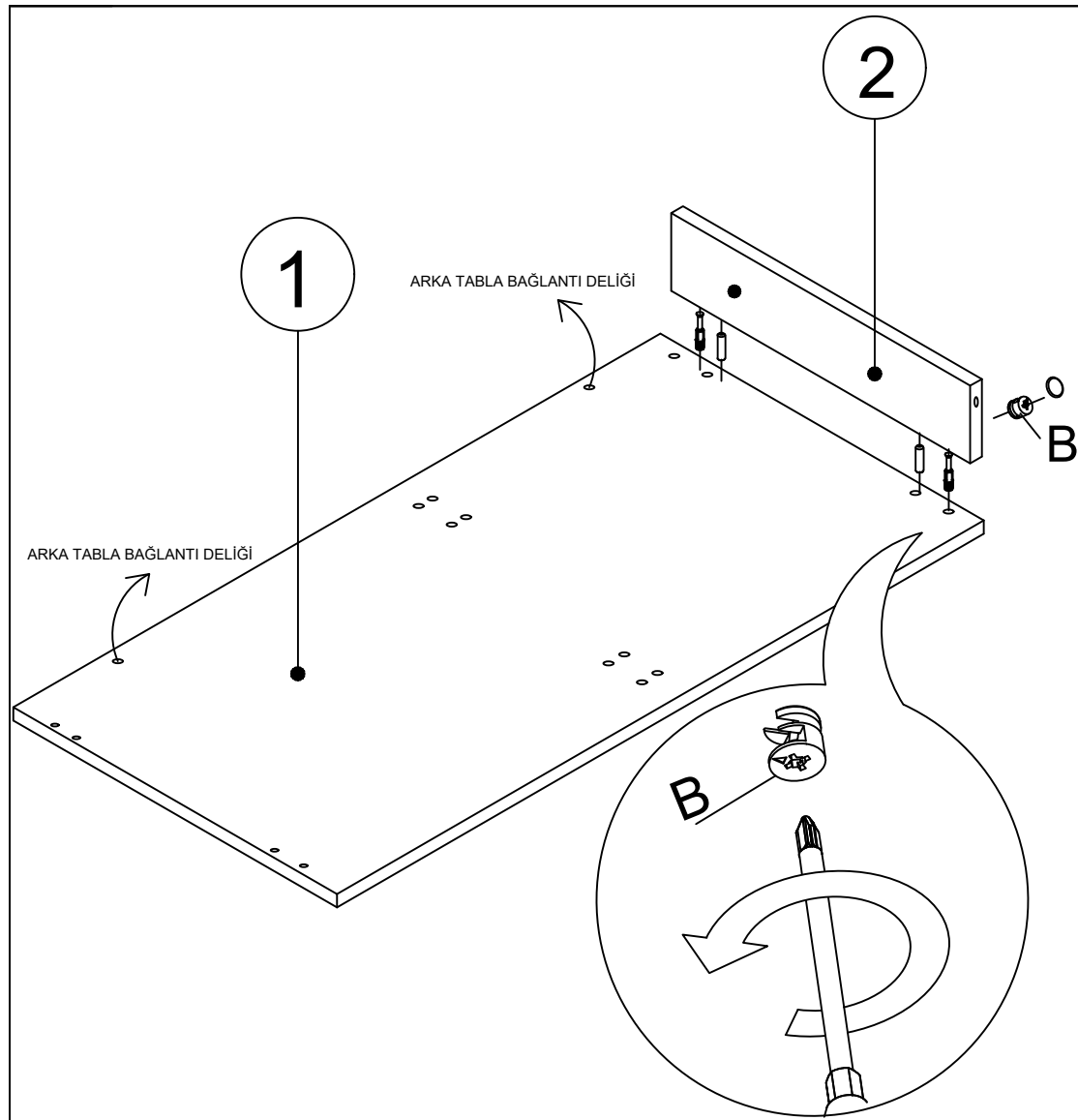
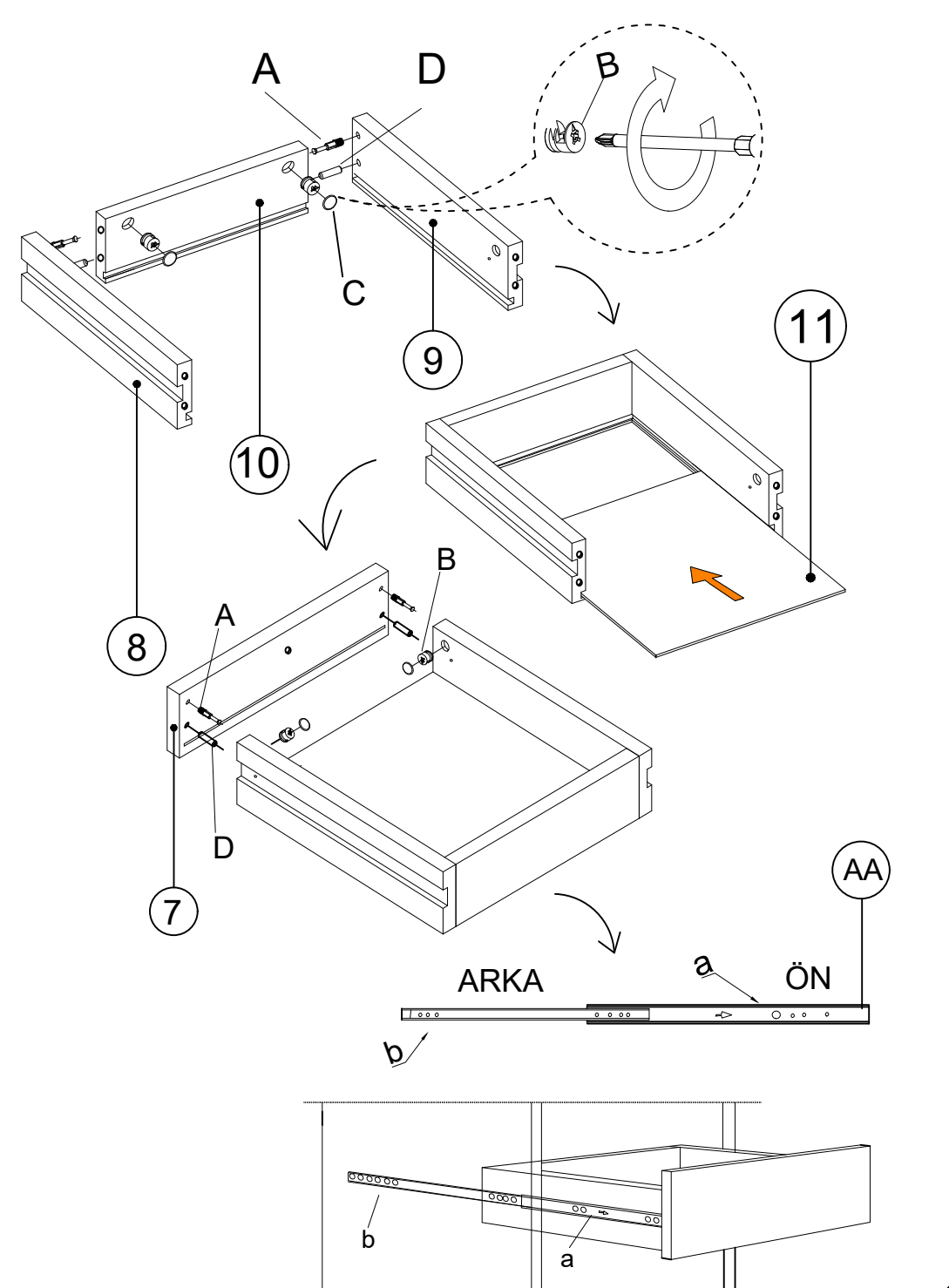
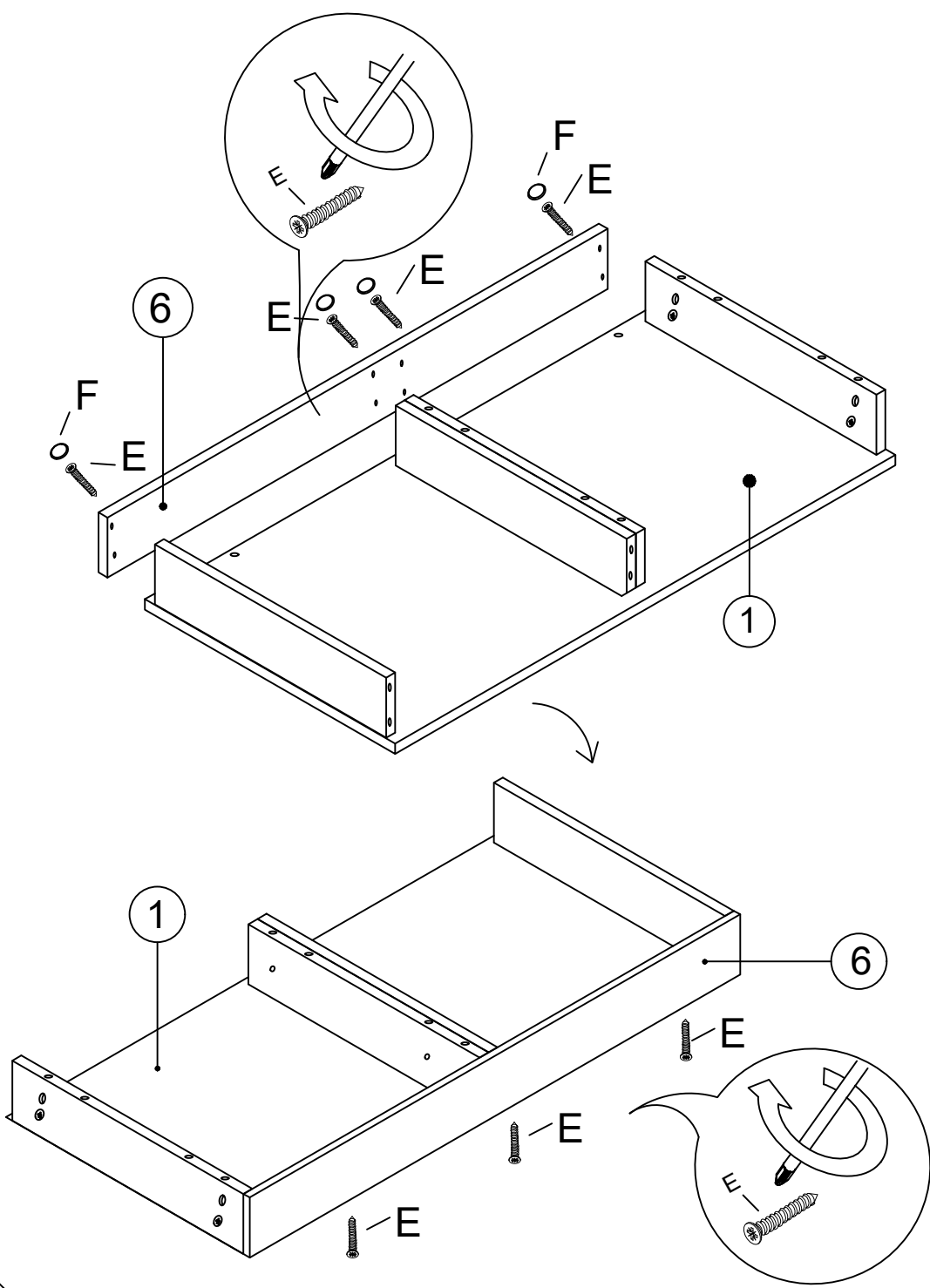


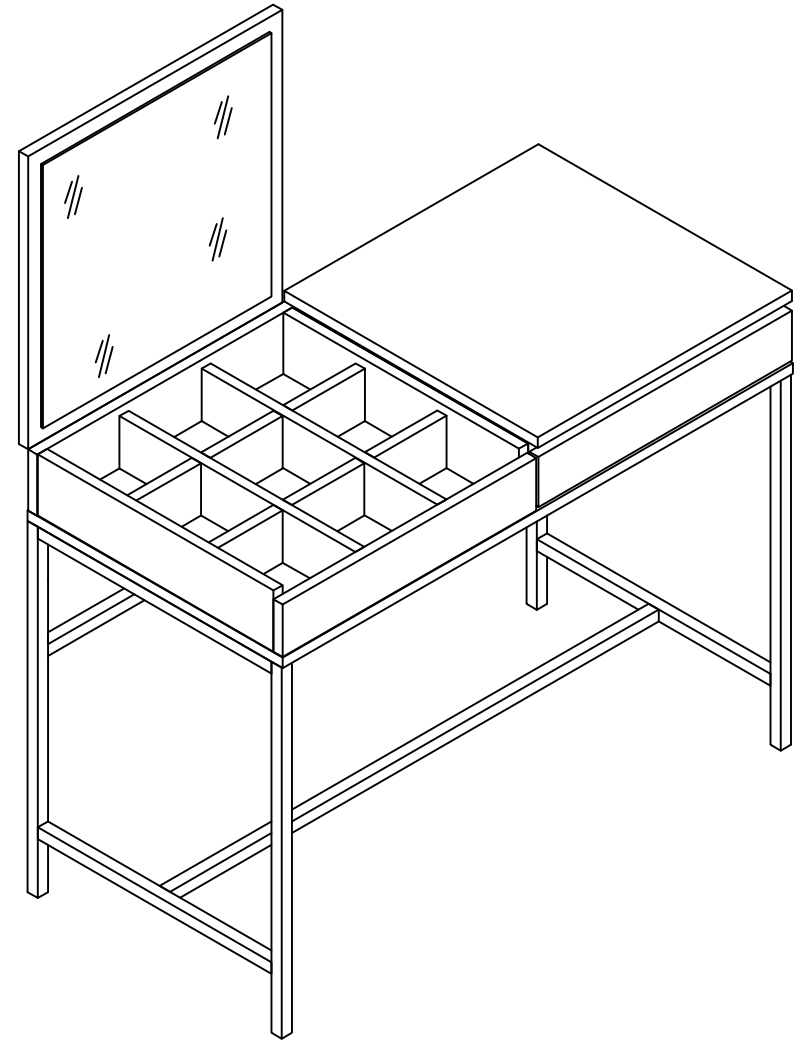
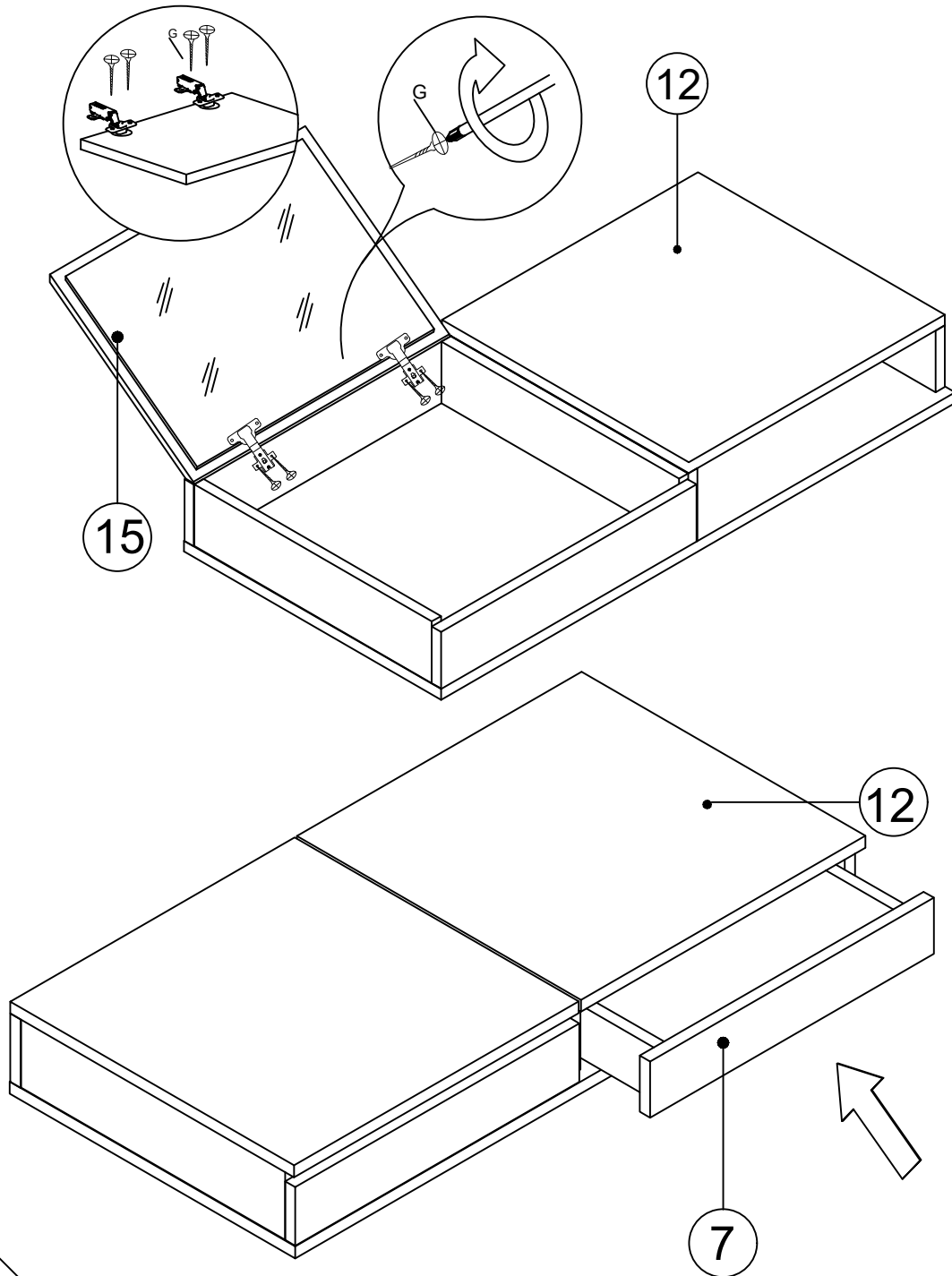
DEC20016 LINDA



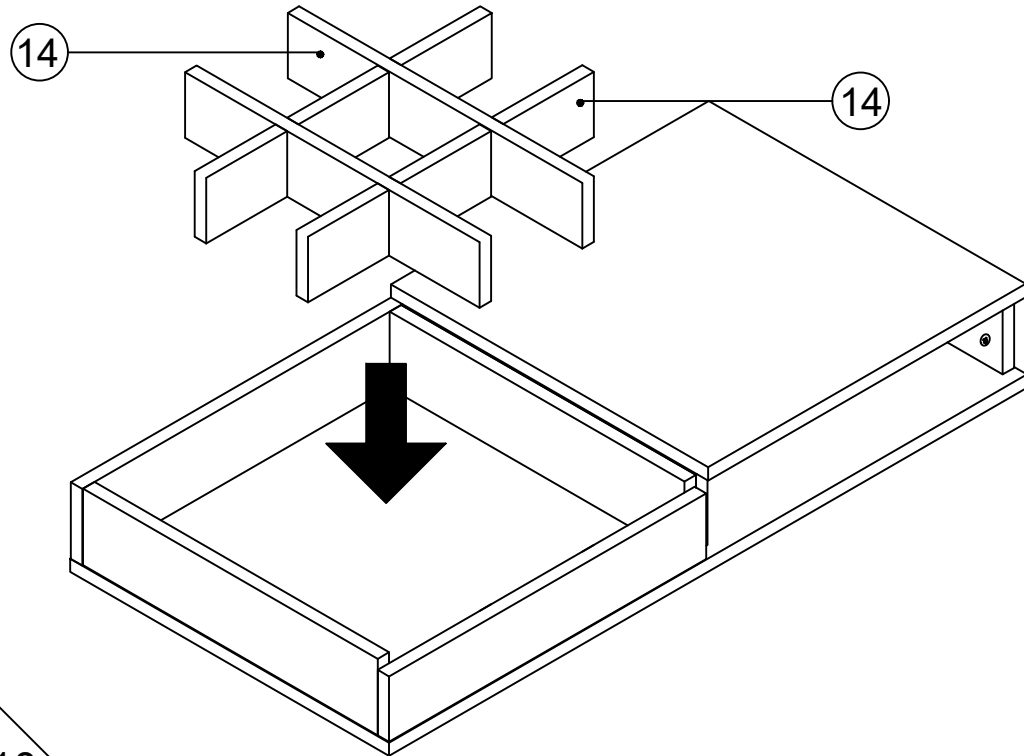
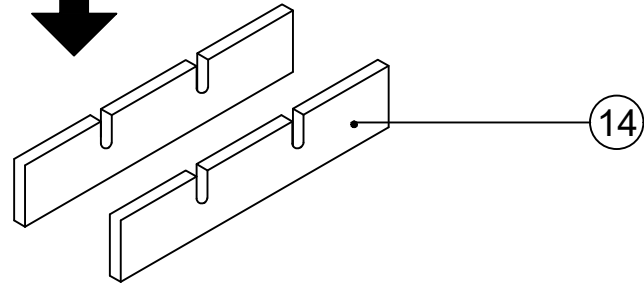
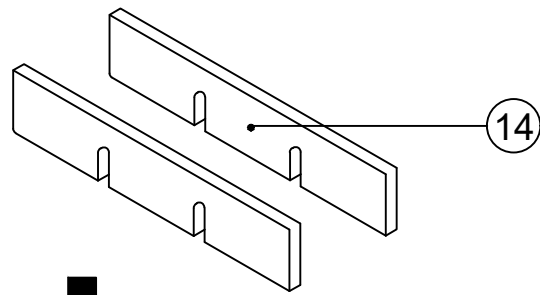




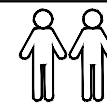
DEC20016 LINDA

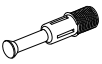

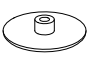
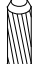





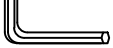
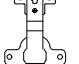

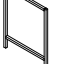



DECORMET



MATERIALS



						
X 18	X 18	X 18	X 18	X 7	X 4	X 14
A	B	C	D	E	F	G
MINIFIX GIB	MINIFIX BODY	MIN.STOPPER	DOWEL	CABINET SCREW	PLUG	3.5 x 18 SCREW
						
X 2	X 8	X 1	X 2	X 1	X 2	X 2
H (M4x15)	N	P	S	AA	AT	BD
DRAWER SCREW	METRIC SCREW	ALLEN KEY	HINGE (Crank 0)	438MM DRAWER	METAL LEG	METAL LEG PART

DEC20016 LİNDİA

NO	NAME	PIECE	NO	İSİM	MİKTAR
1	BOTTOM PART	1 PC	1	ALT TABLA	1 Adet
2	RIGHT SIDE	1 PC	2	SAĞ YAN	1 Adet
3	RIGHT CENTER SEWING	1 PC	3	ORTA SAĞ DİKME	1 Adet
4	LEFT CENTER SEWING	1 PC	4	ORTA SOL DİKME	1 Adet
5	LEFT PART	1 PC	5	SOL YAN	1 Adet
6	REAR TABLE	1 PC	6	ARKA TABLA	1 Adet
7	DRAWER COVER PART	1 PC	7	ÇEKMECE ÖNÜ	1 Adet
8	DRAWER LEFT SIDE PART	1 PC	8	ÇEKMECE SOL YAN	1 Adet
9	DRAWER RIGHT SIDE PART	1 PC	9	ÇEKMECE SAĞ YAN	1 Adet
10	DRAWER BACK PART	1 PC	10	ÇEKMECE ARKA PARÇA	1 Adet
11	DRAWER / BOTTOM PART	1 PC	11	ÇEKMECE ALTLIĞI	1 Adet
12	TOP TABLE	1 PC	12	ÜST TABLA	1 Adet
13	FRONT TABLE	1 PC	13	ÖN TABLA	1 Adet
14	CHAMBERS	4 PCS	14	BÖLMELER	4 Adet
15	COVER	1 PC	15	KAPAK	1 Adet