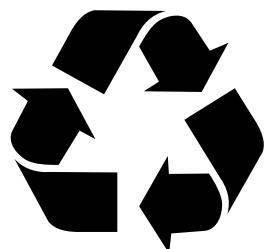
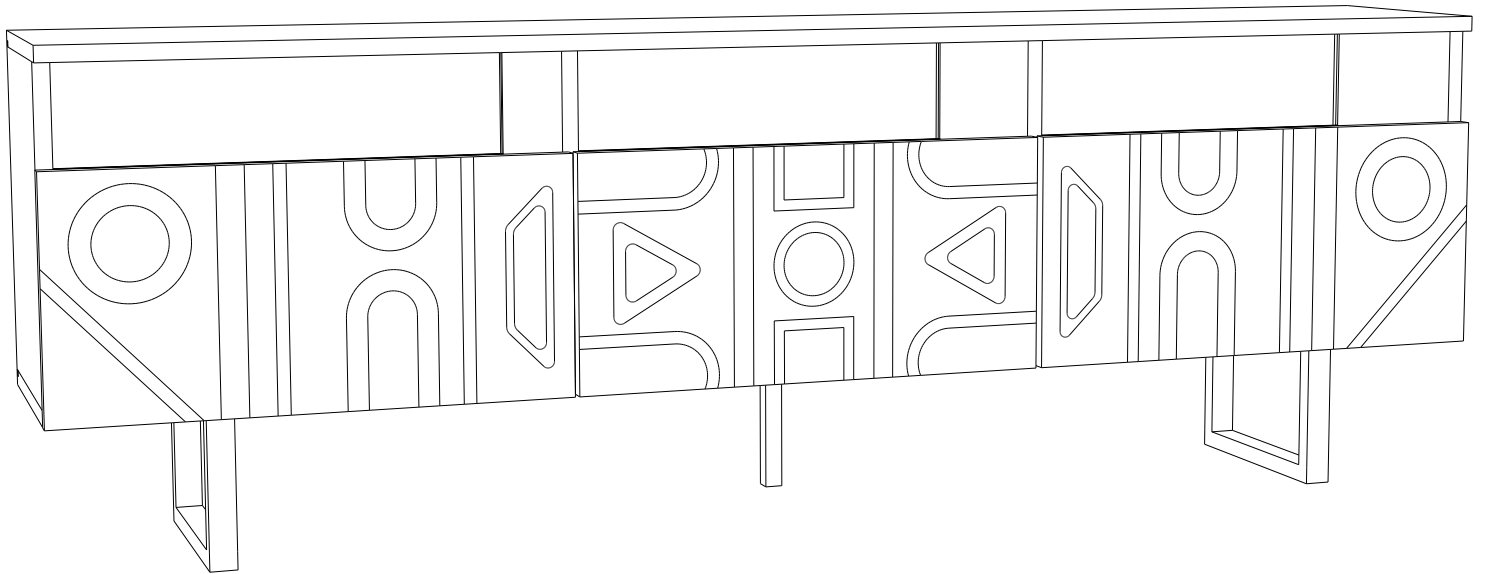
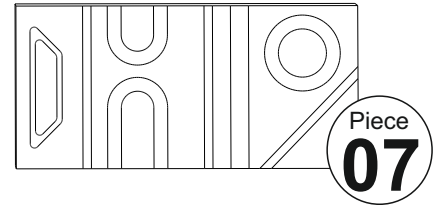
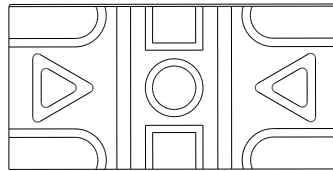
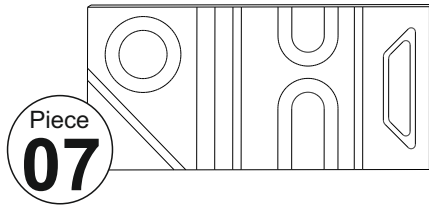
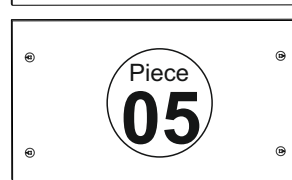
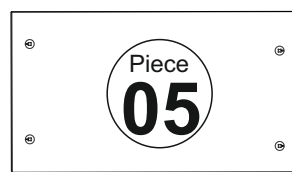
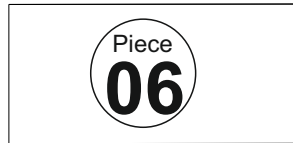
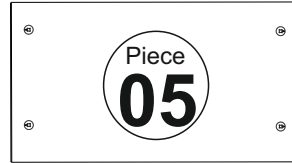
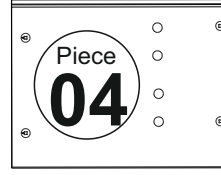
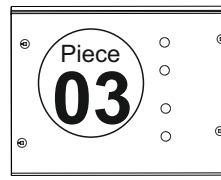
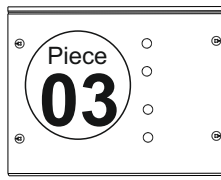
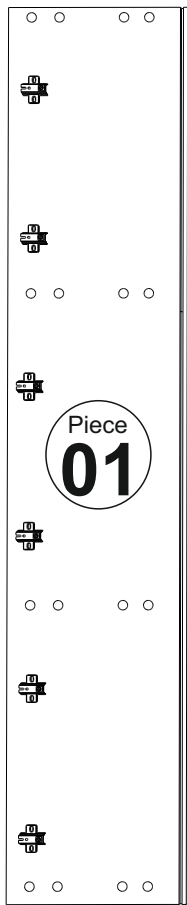
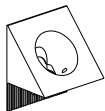
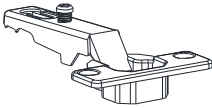

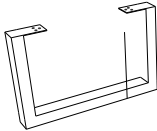
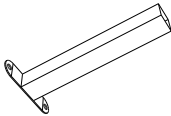

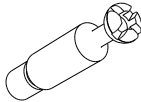



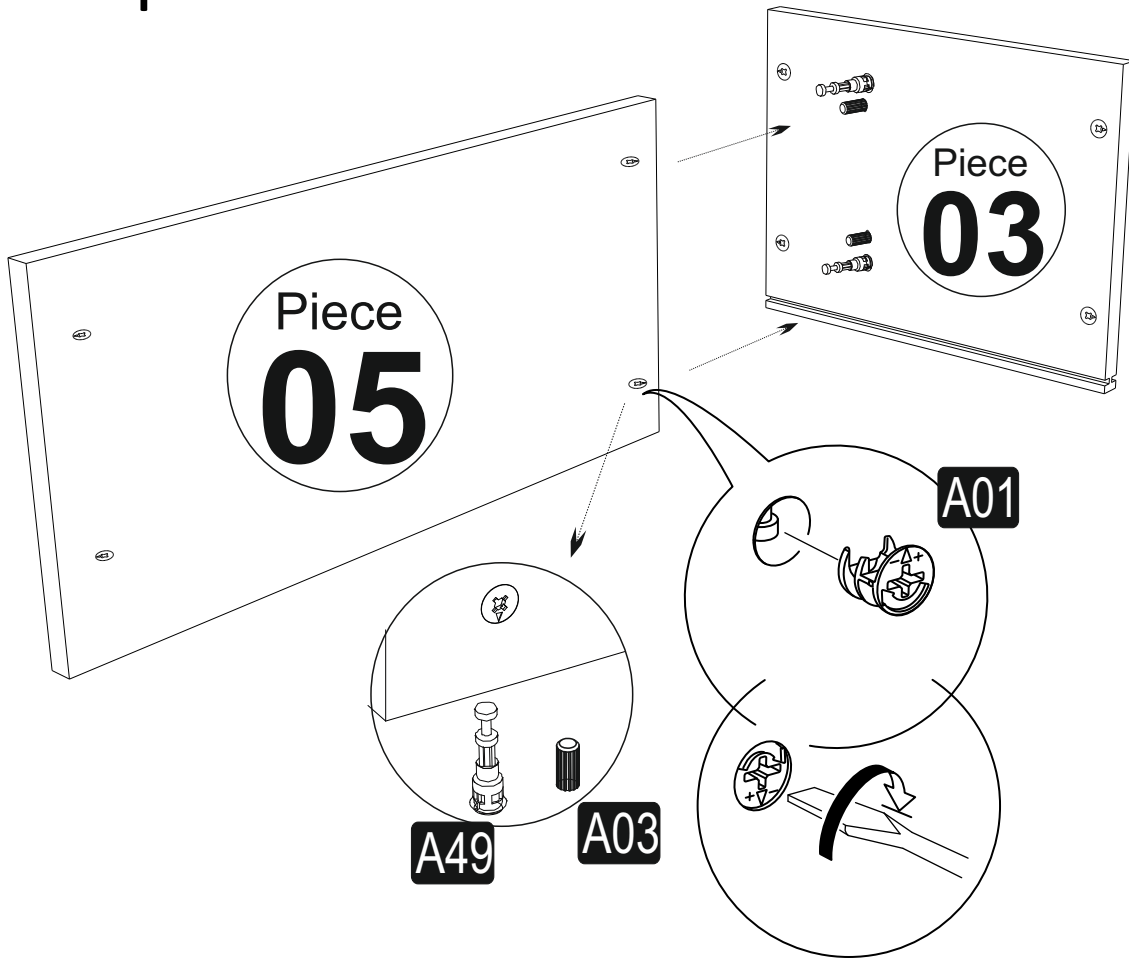
# NEO<sub>still</sub>



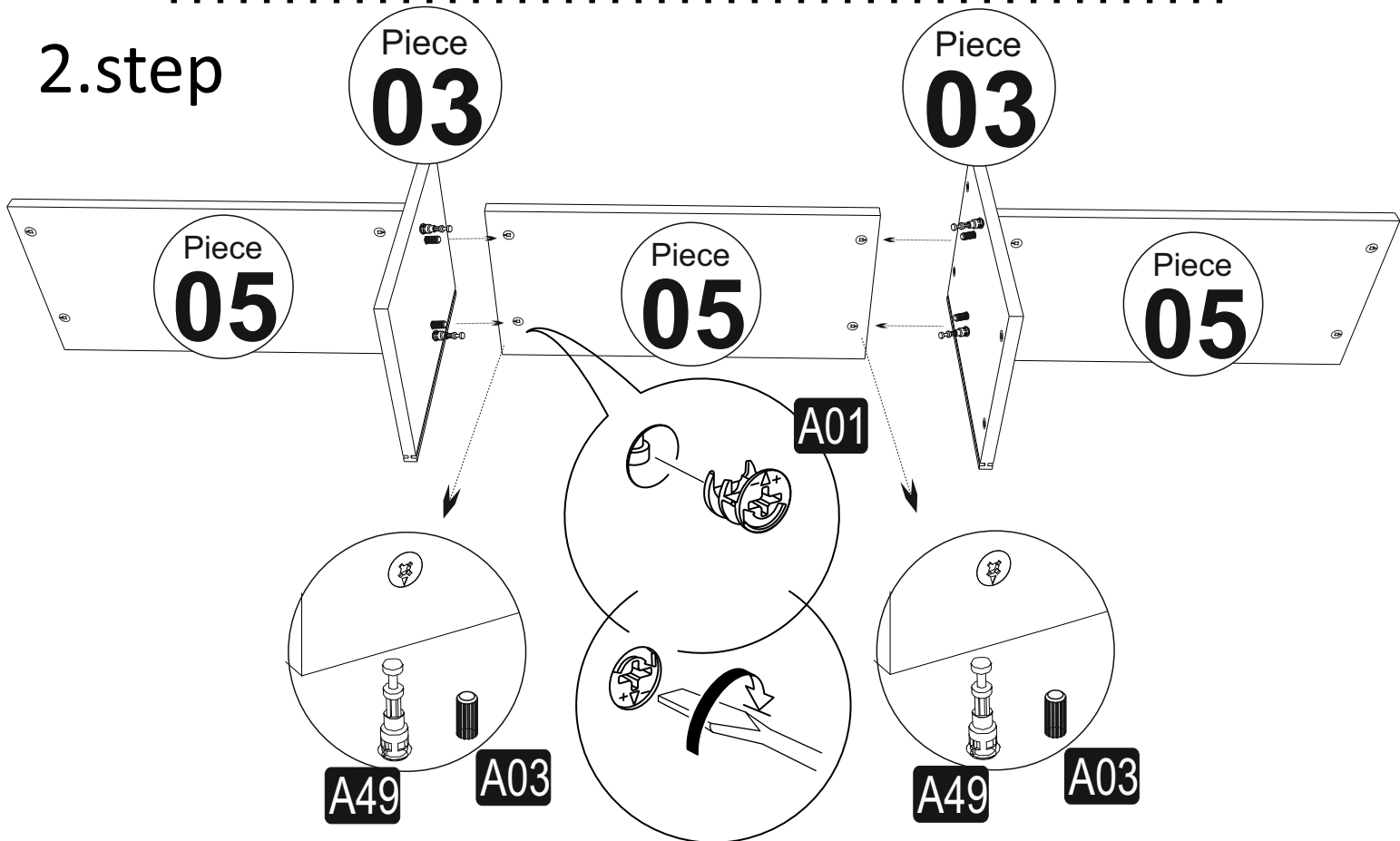


<b>A48</b>	<b>A12</b>	<b>A10</b>	<b>A46</b>	<b>A45</b>	<b>A01</b>	<b>A49</b>	<b>A03</b>
							
<b>8x</b>	<b>6x</b>	<b>38x</b>	<b>2x</b>	<b>1x</b>	<b>28x</b>	<b>28x</b>	<b>28x</b>

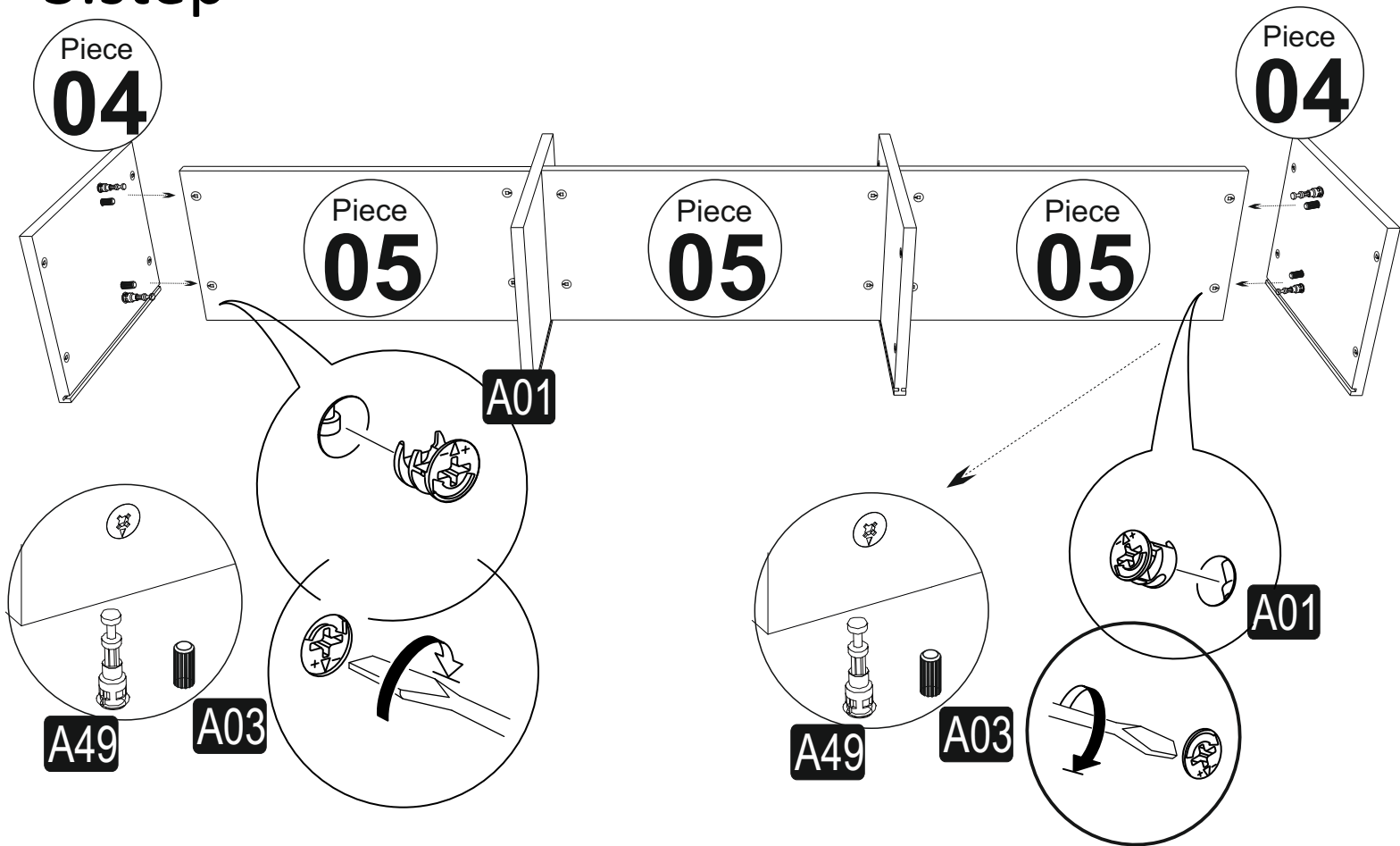
# 1.step



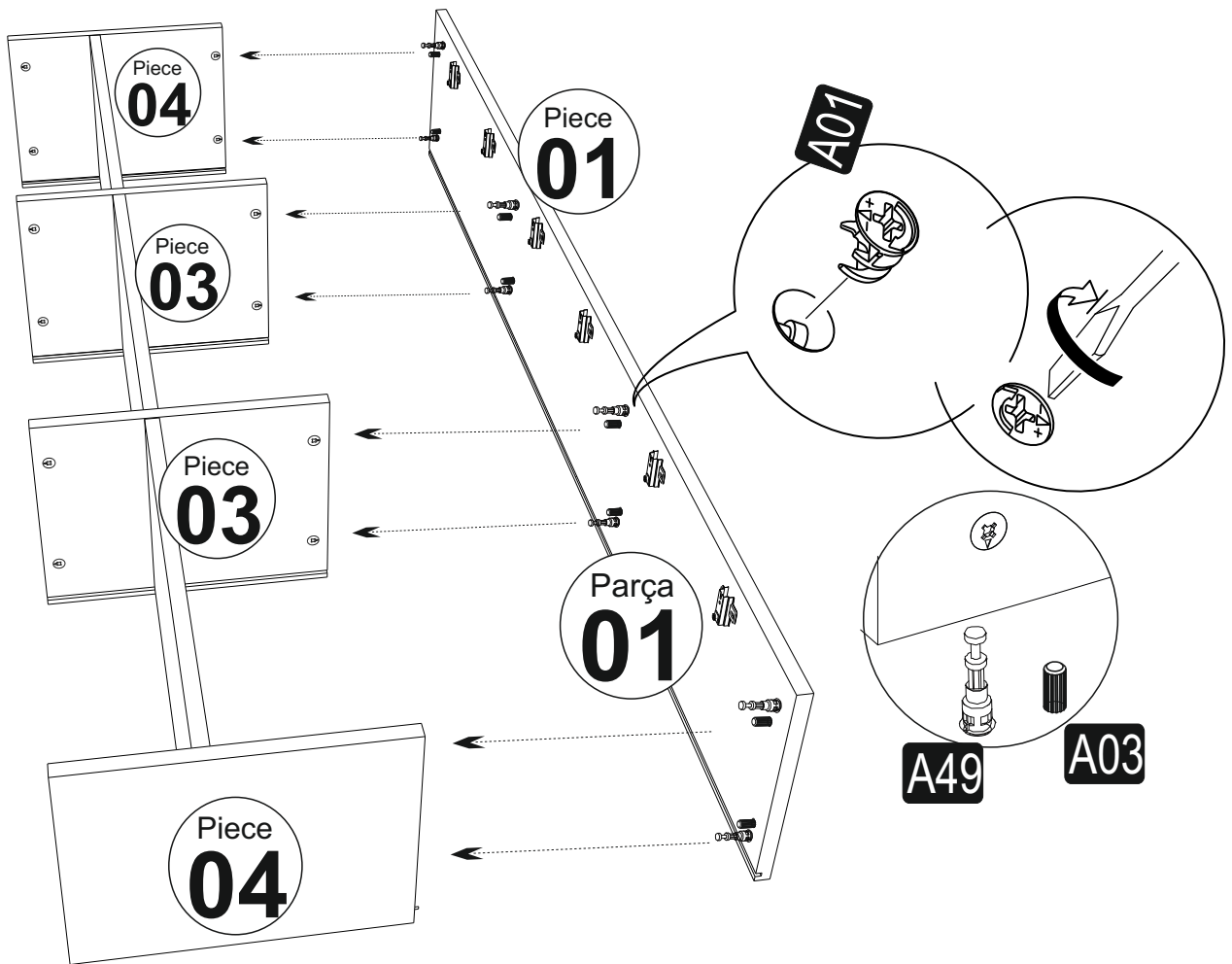
# 2.step



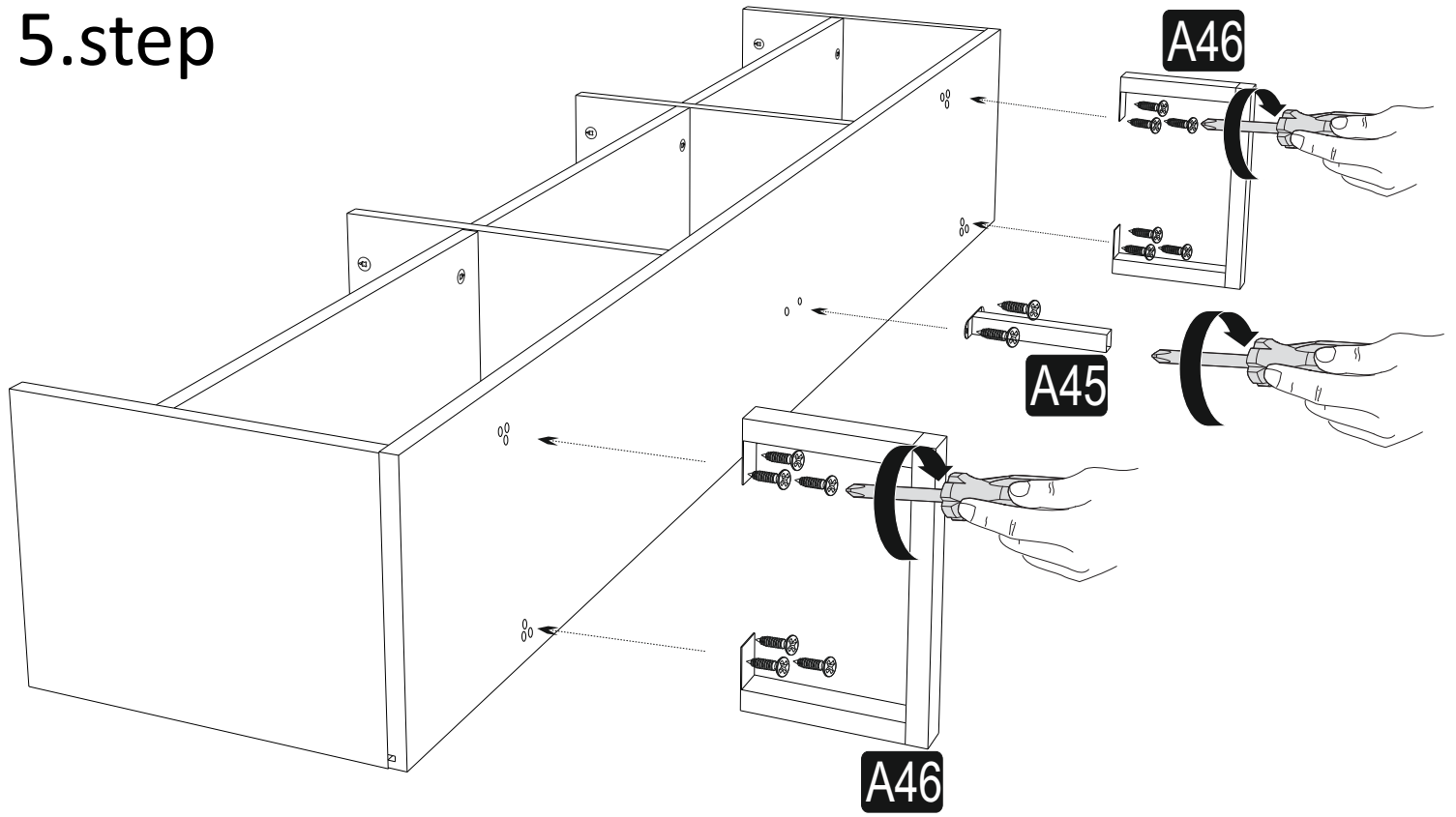
# 3.step



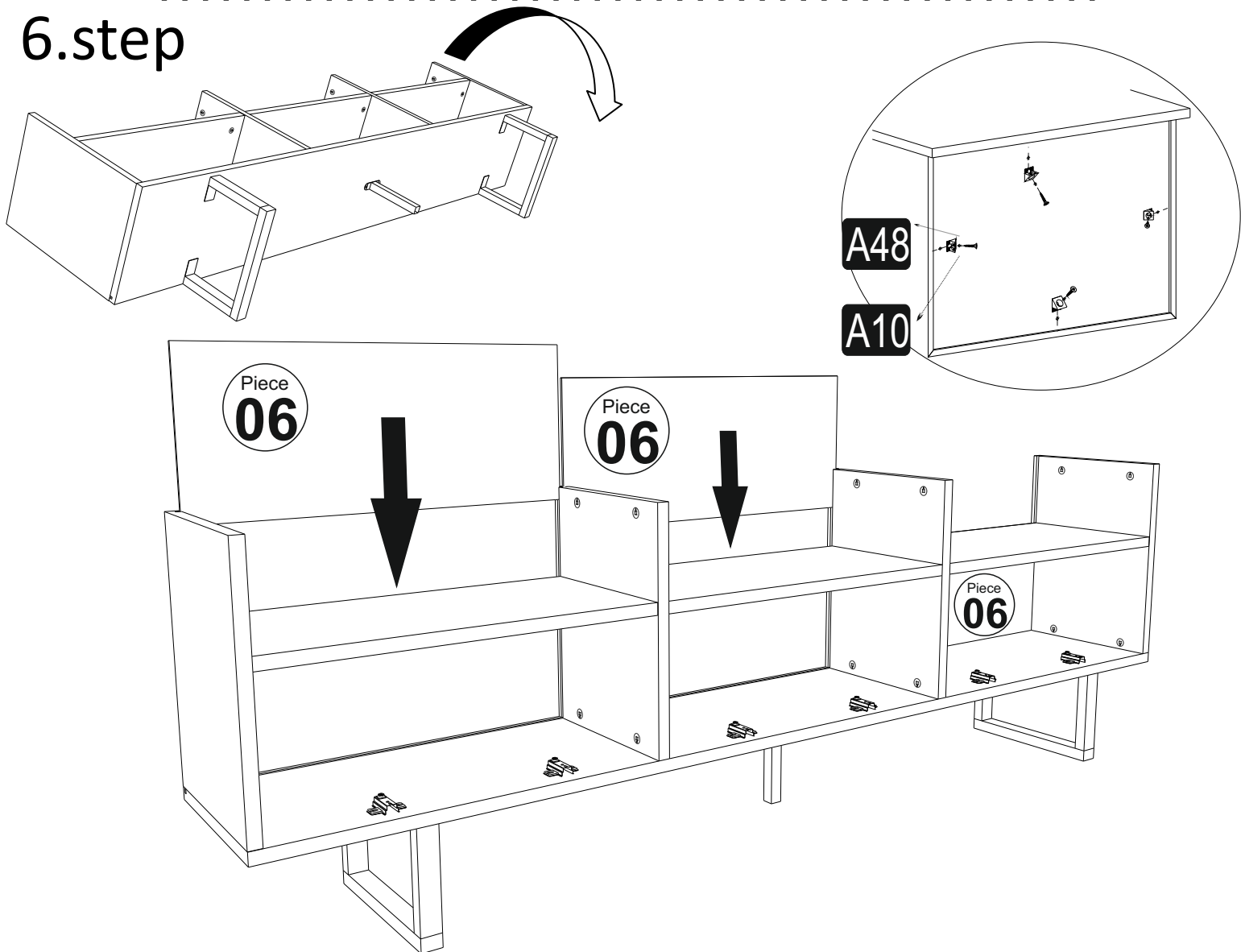
# 4.step



# 5.step

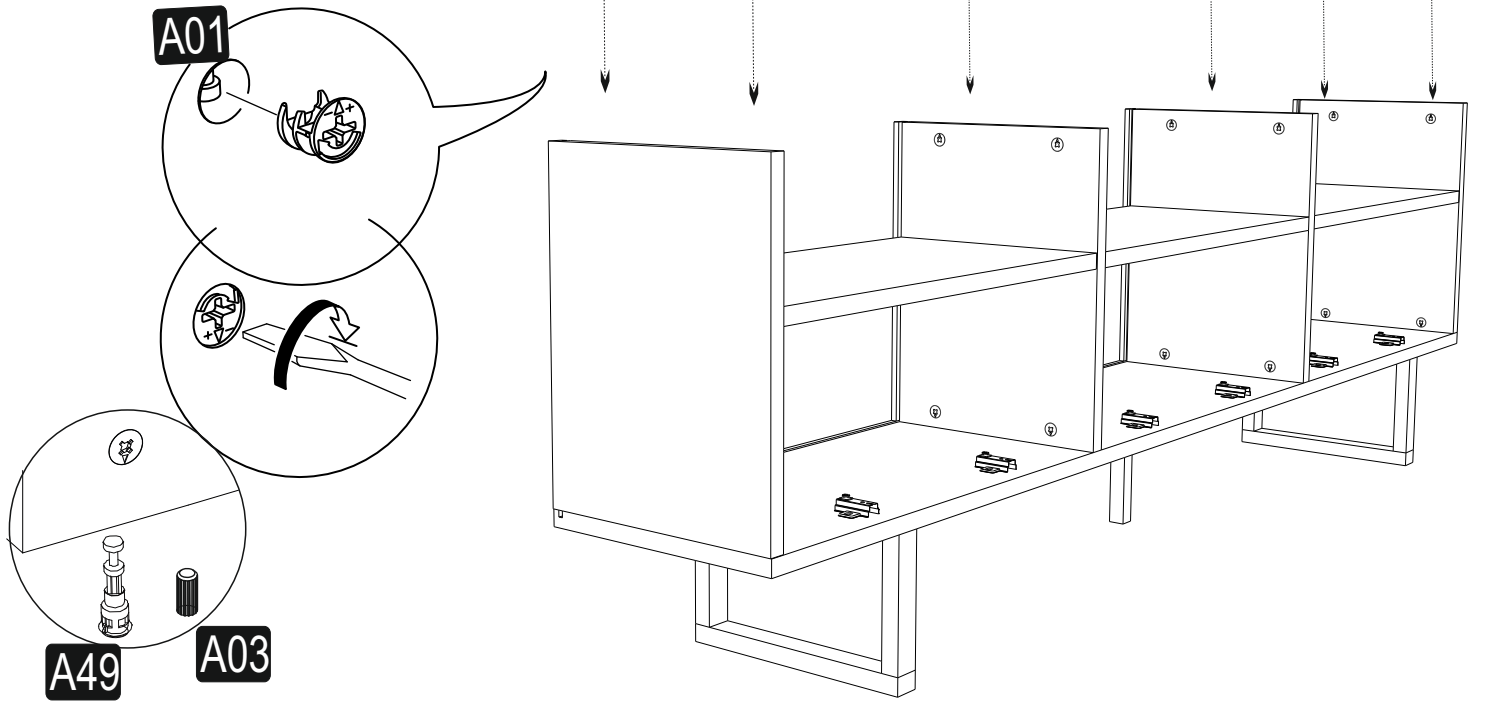


# 6.step



# 6.step

Piece  
**02**



# 7.step

