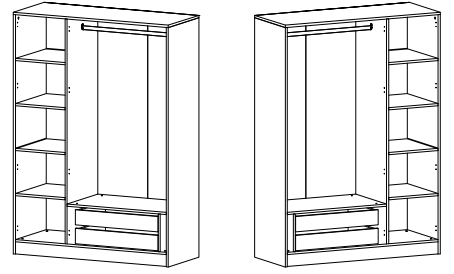


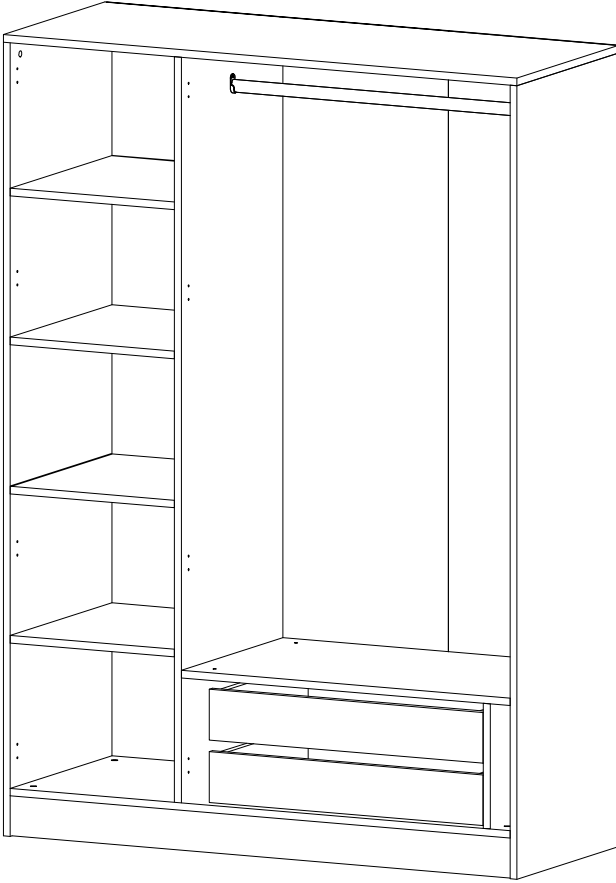
BEYAZ

KALE

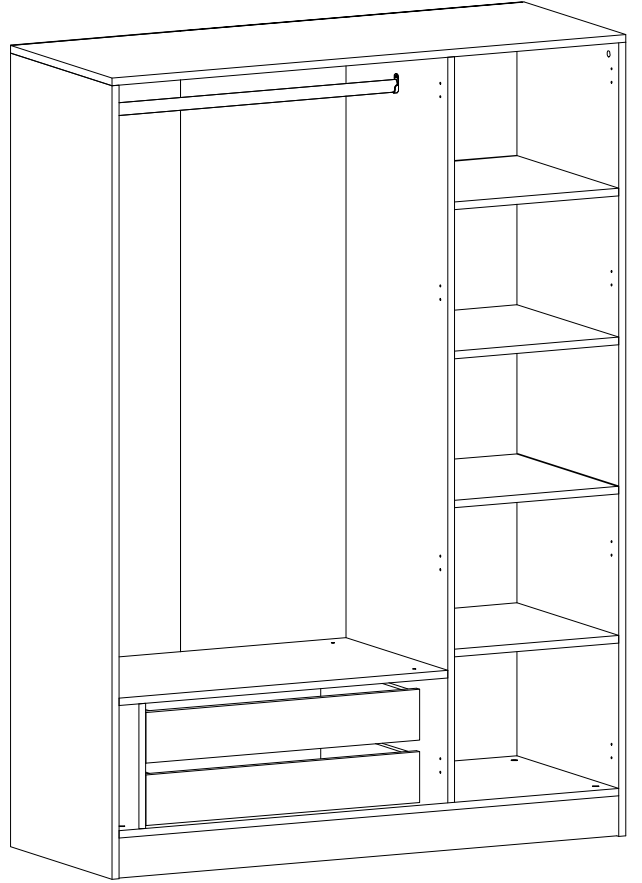
GÖVDE 3K 190CM+210CM ORTAK



V1



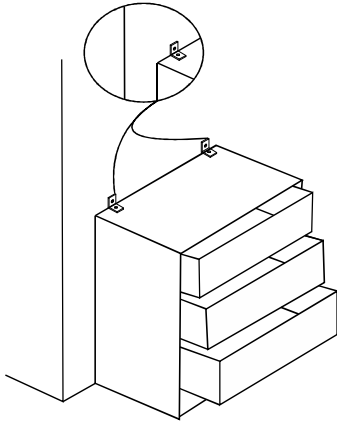
V2



Dear Customer,

We design and produce our products for people to love and have fun with them as we do.

The product you bought was subjected to all sorts of tests and control before sending out to you.

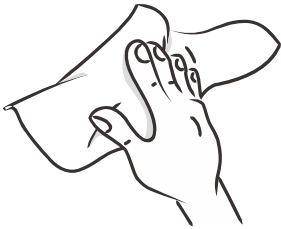


Attention!

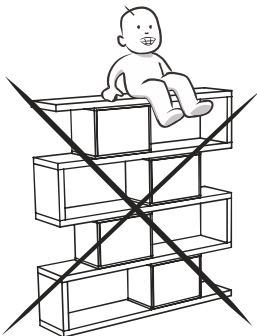
Using excessive force to the furniture can cause furniture to fall. This can damage you both financially and physically. In order to avoid this situation, please use wall mounting fixtures.



Before start assembling, please check the whole components and accessories according to the lists. If you bought more than one product, to prevent confusion be sure that you completed the first product. Then start the other product's assembling.



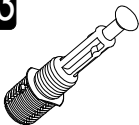


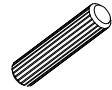


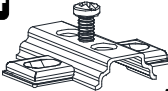
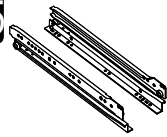


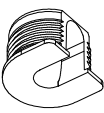
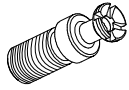


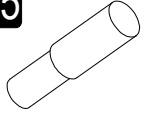
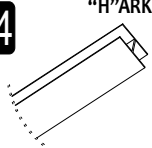
Before start assembling, please clean all the components with a damp cloth. Also for usual cleaning, this will be enough.



Do not use your furniture for out of purposes. If you would like to use it, please contact us for further questions.

Do not directly contact your furniture with excessive heat, cold and humidity because the product can be affected..

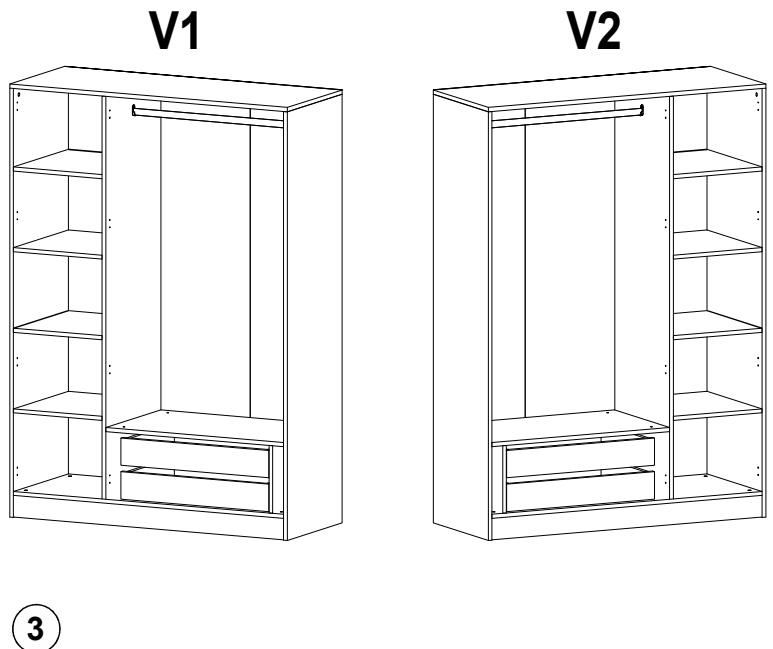
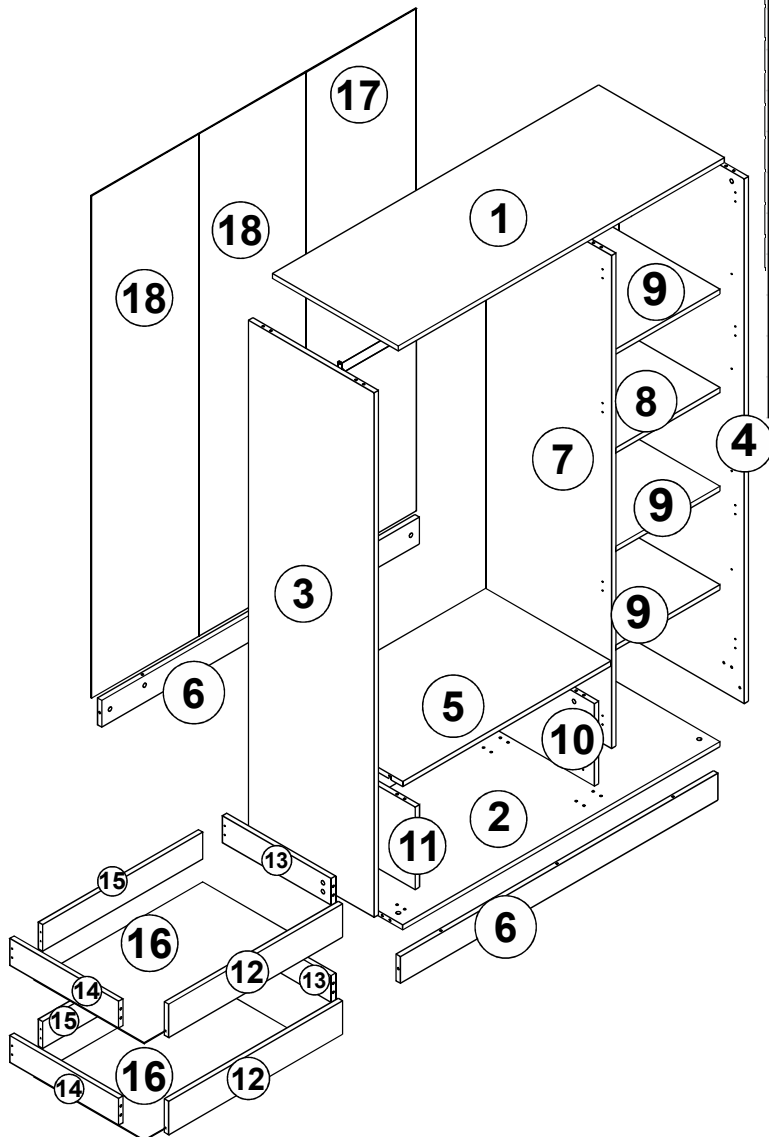
ACCESSORY LIST

A23 Minifix M10  34x	A22 Minifix G18  34x	A06 18 mm  28x	A04 KVLY  24x	A17 4x50  8x
C01 DM  12x	C04 MA  12x	R05 CRY  2x	A24 FLNS  2x	A55 AB  1x
V10 RFX  20x14 8x	V11 RFX VD  5x13 8x	A18 3,5x18  68x	A48 AC  60x	A65 RP  12x
A64 "H"ARKLK CTS  1x				

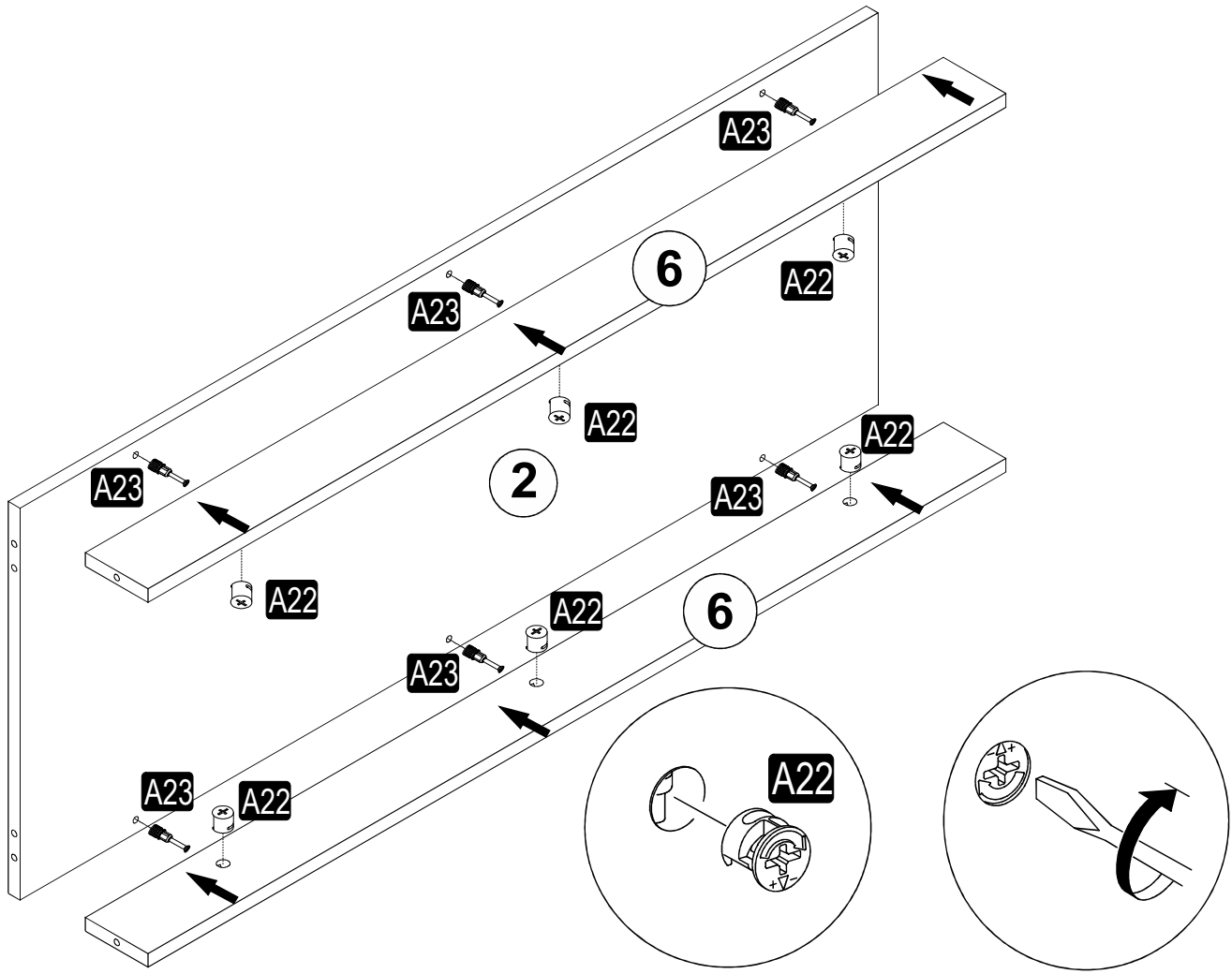
ÇITA 190 - 1764mm
ÇITA 210 - 1964mm

GENERAL VIEW

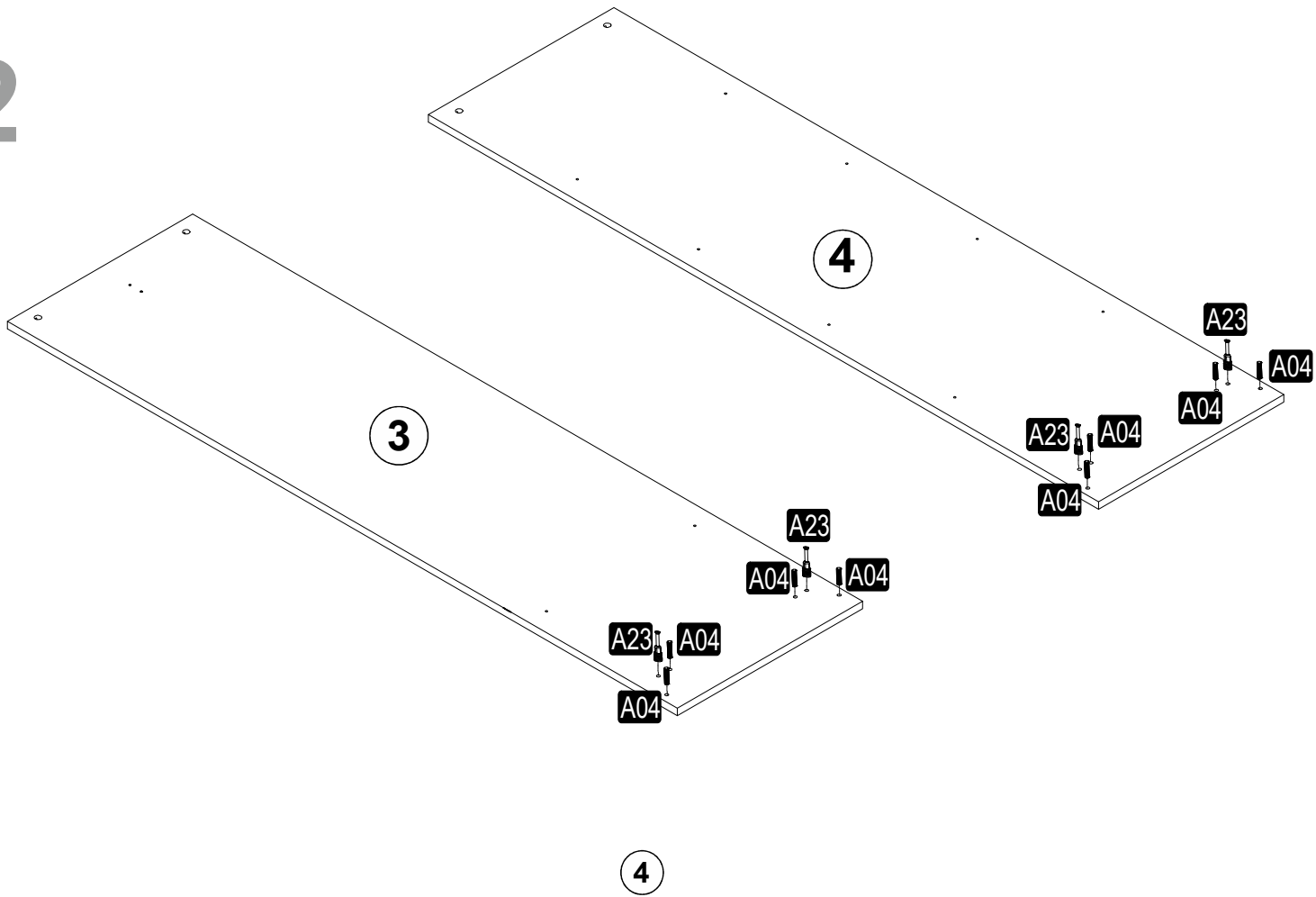
KALE 3		190 LİK		210 LUK		
3	1	1880	520	2080	520	18
4	1	1880	520	2080	520	18
17	1	1800	455	2000	455	3
18	2	1800	443	2000	443	3
5	1	864	520	864	520	18
7	1	1766	520	1966	520	18
8	1	432	520	432	520	18
9	3	432	520	432	520	18
10	1	296	520	296	520	18
11	1	296	520	296	520	18
16	2	698	456	698	456	3
1	1	1350	520	1350	520	18
2	1	1314	520	1314	520	18
6	2	1314	96	1314	96	18
12	2	720	120	720	120	18
13	2	450	96	450	96	18
14	2	450	96	450	96	18
15	2	662	96	662	96	18



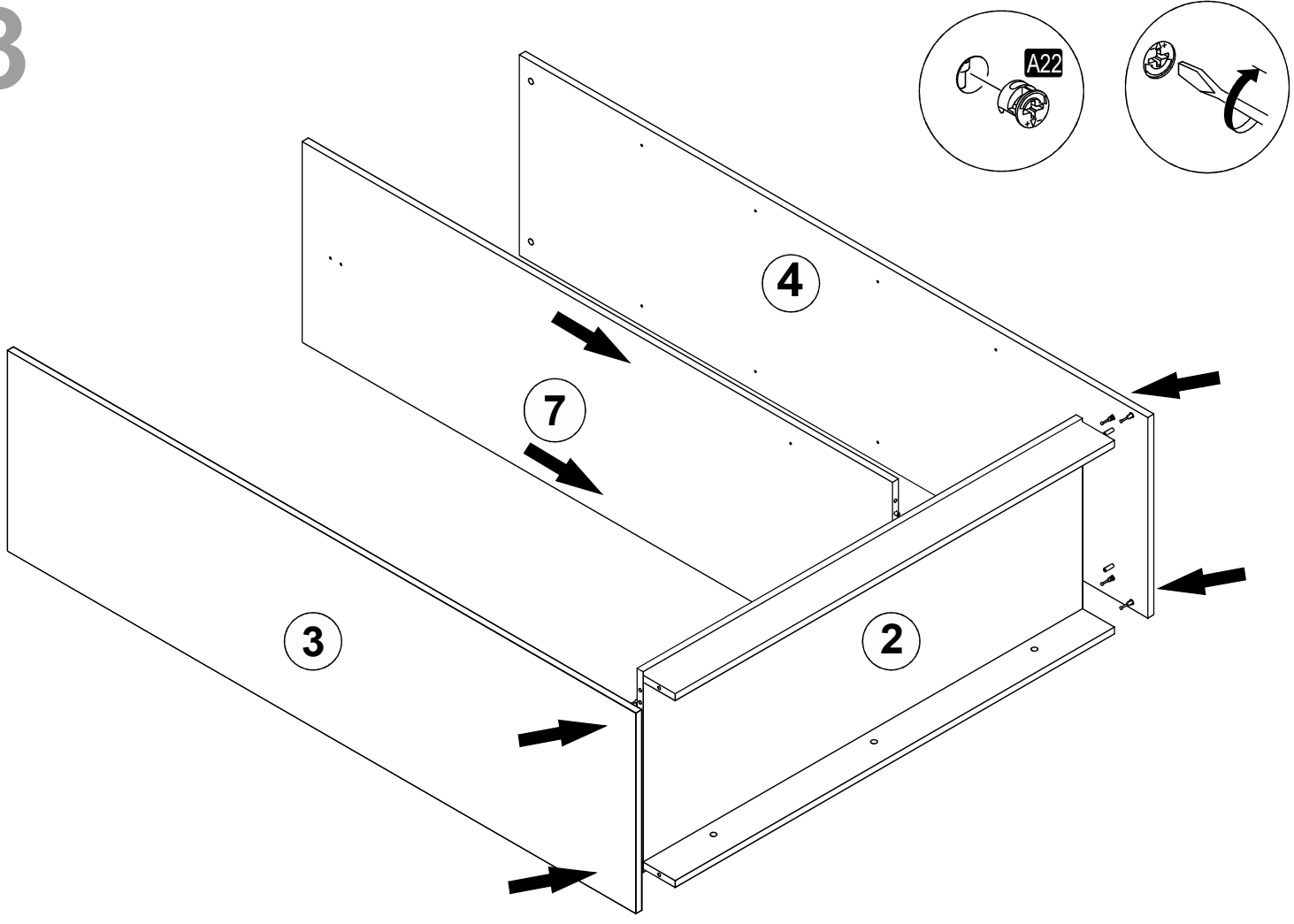
1



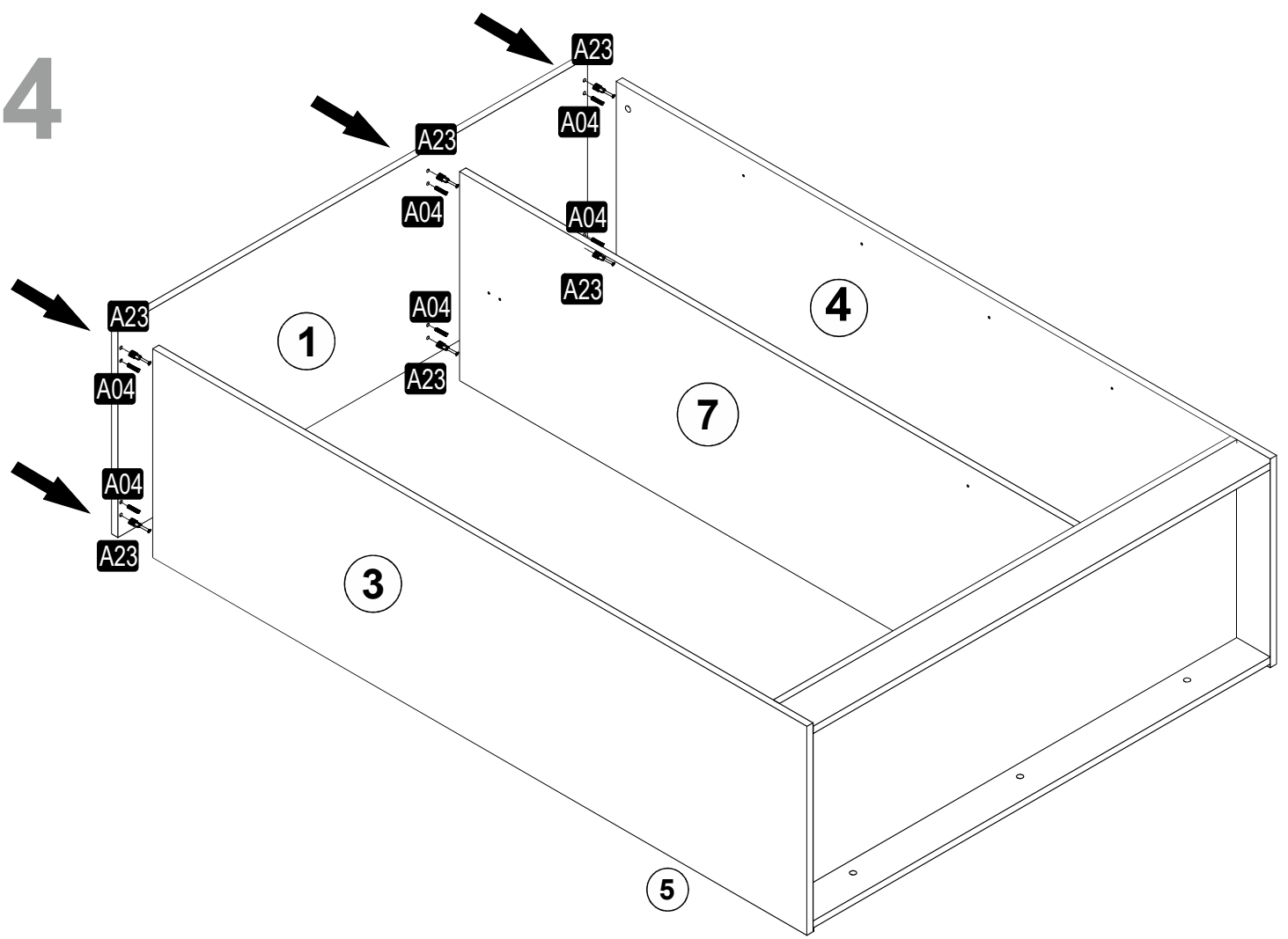
2



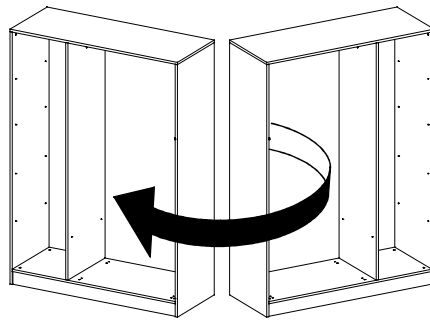
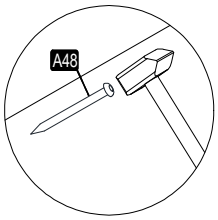
3



4



5

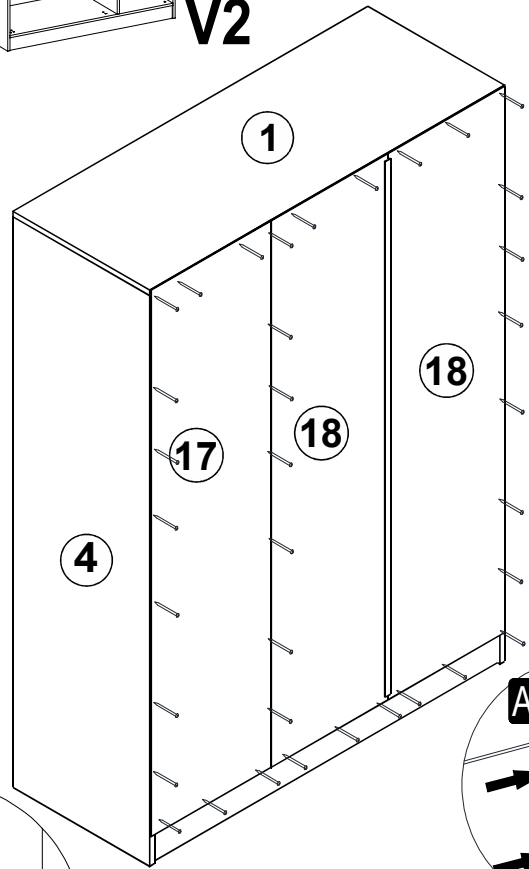
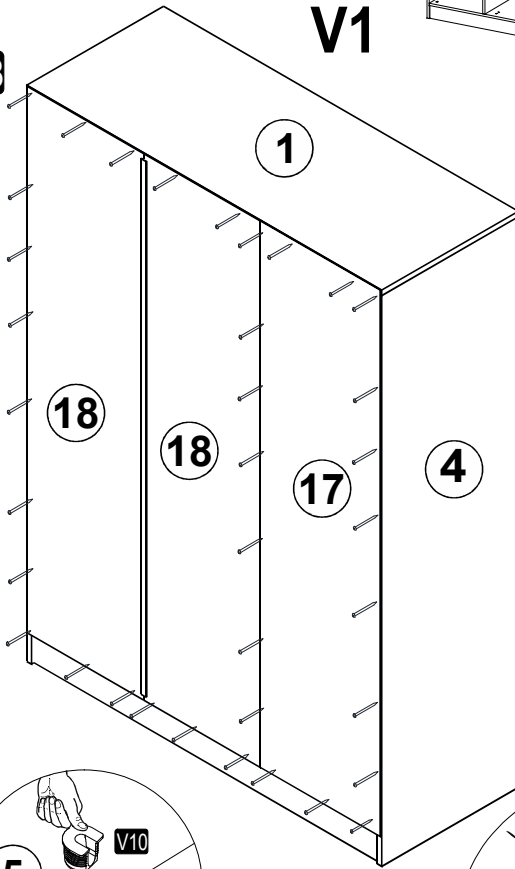


V1

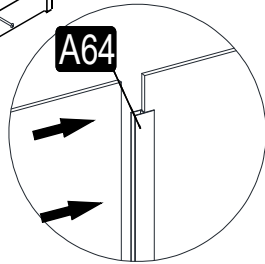
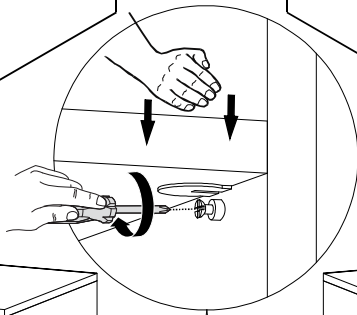
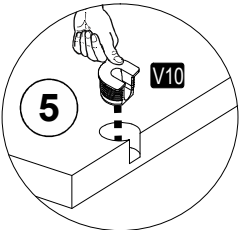
V2

A48

A48

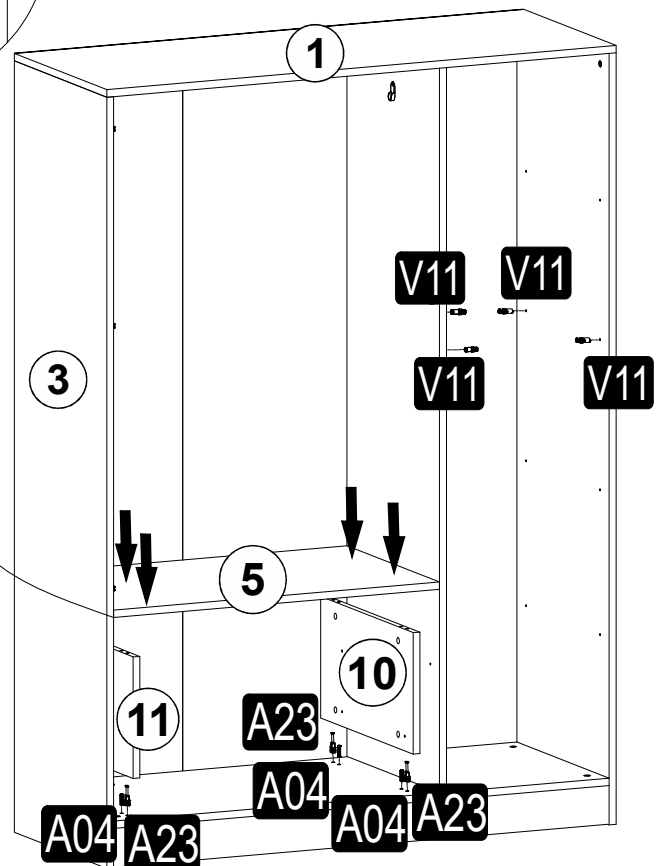
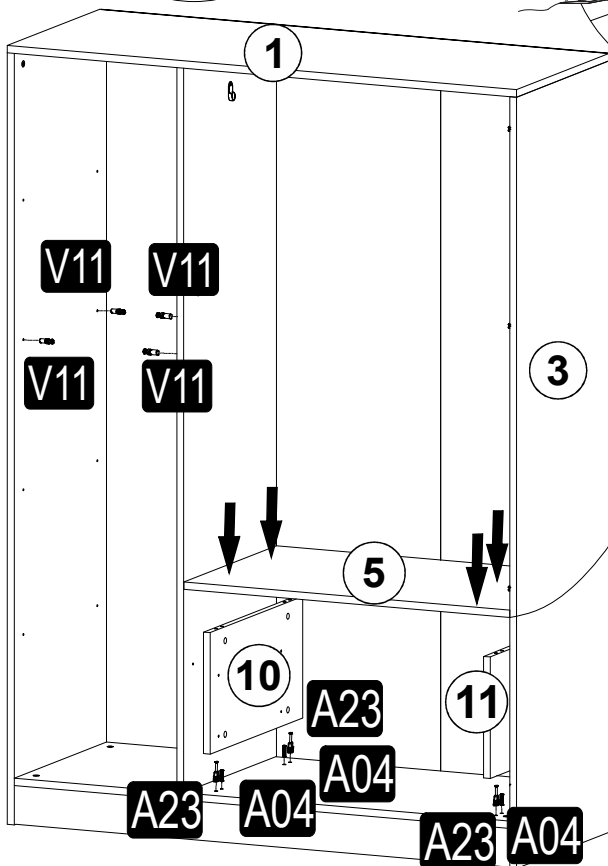


6



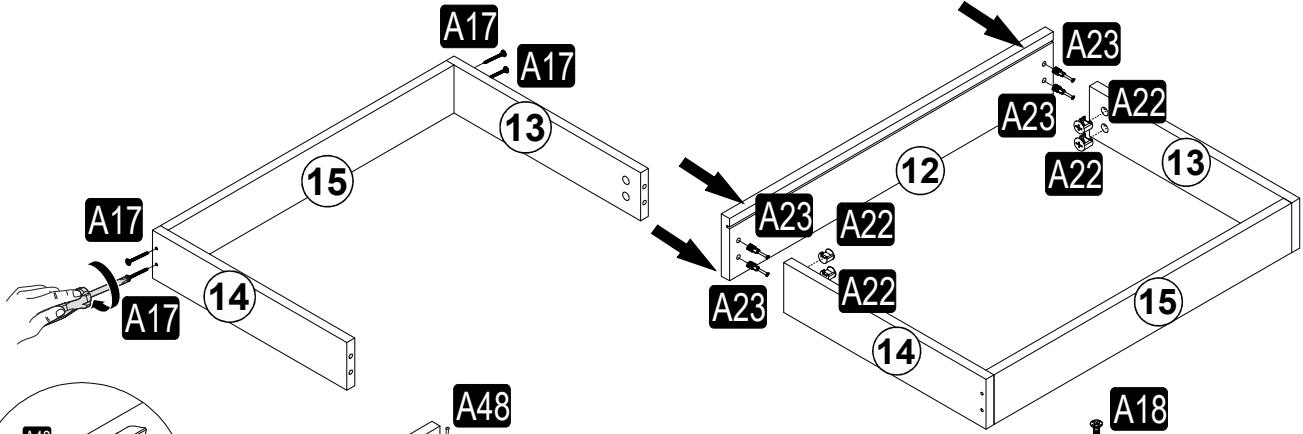
V1

V2

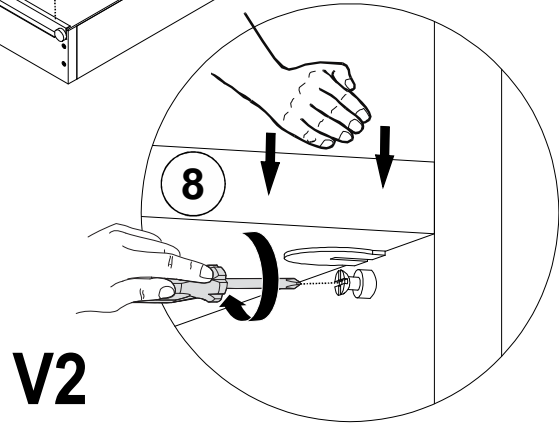
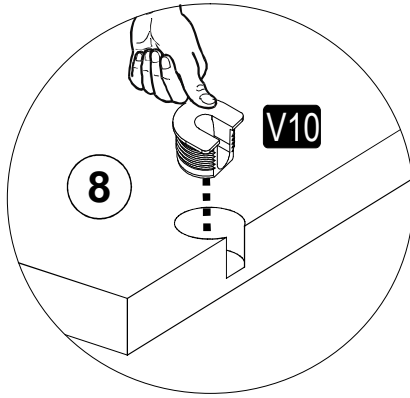
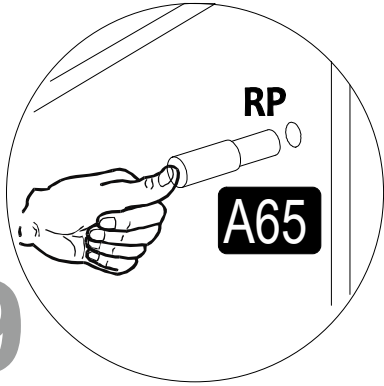
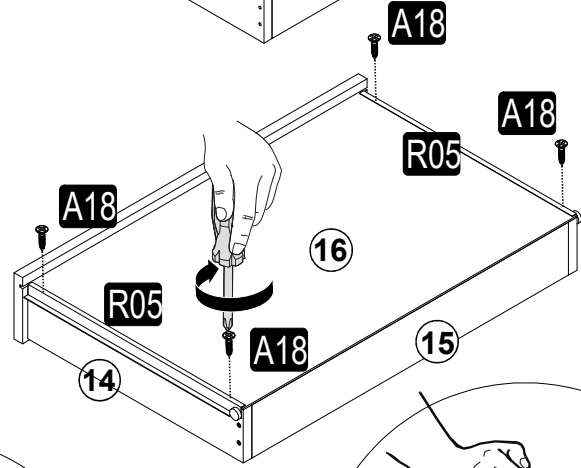
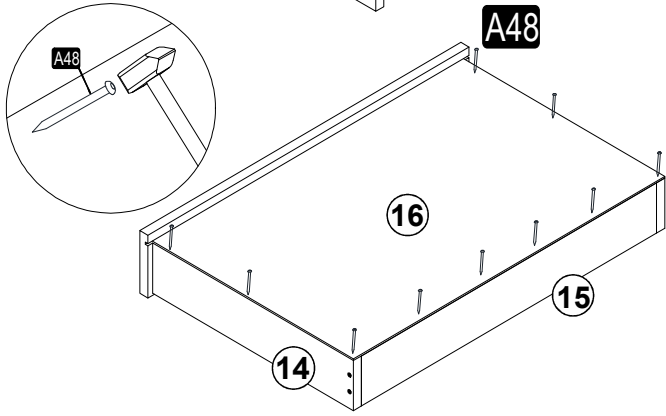


6

7



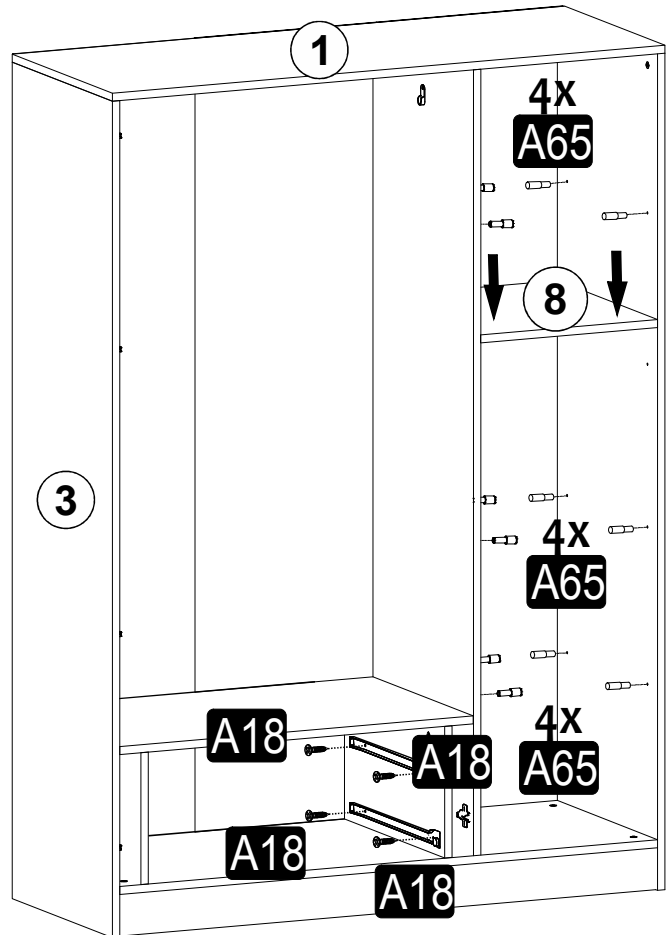
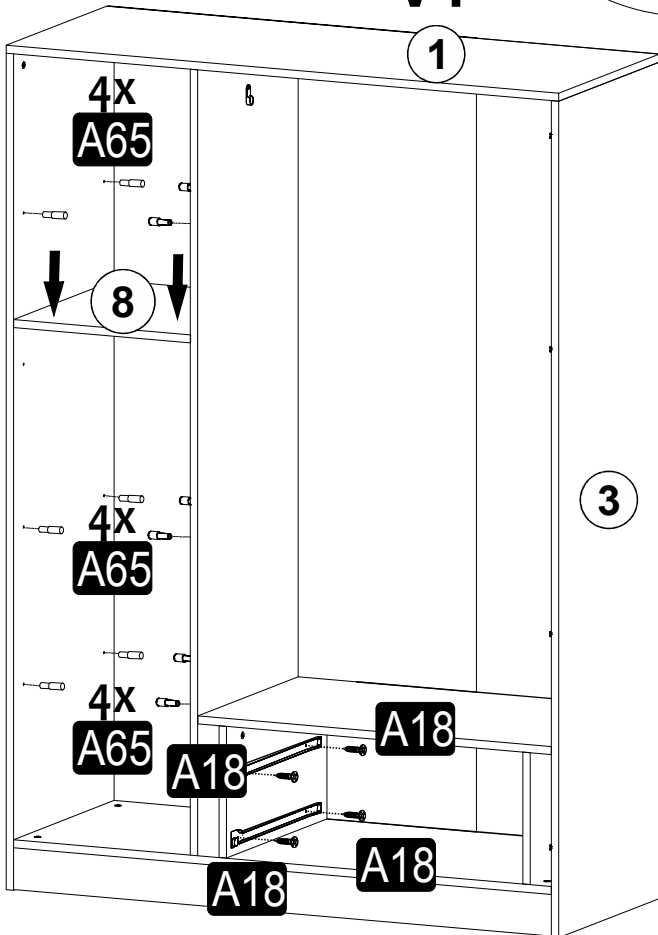
8



9

V1

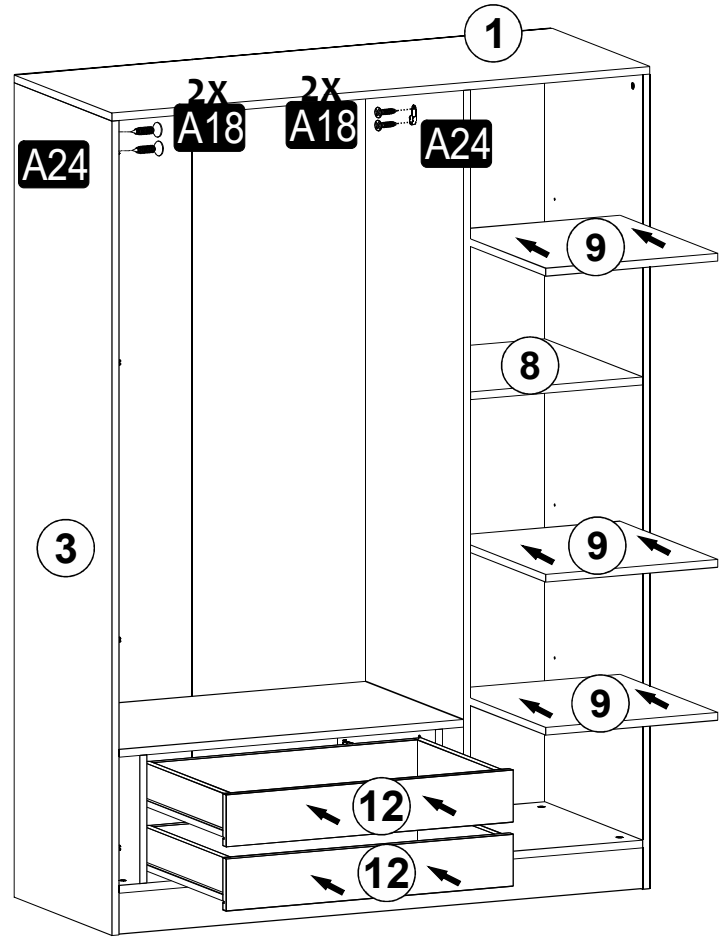
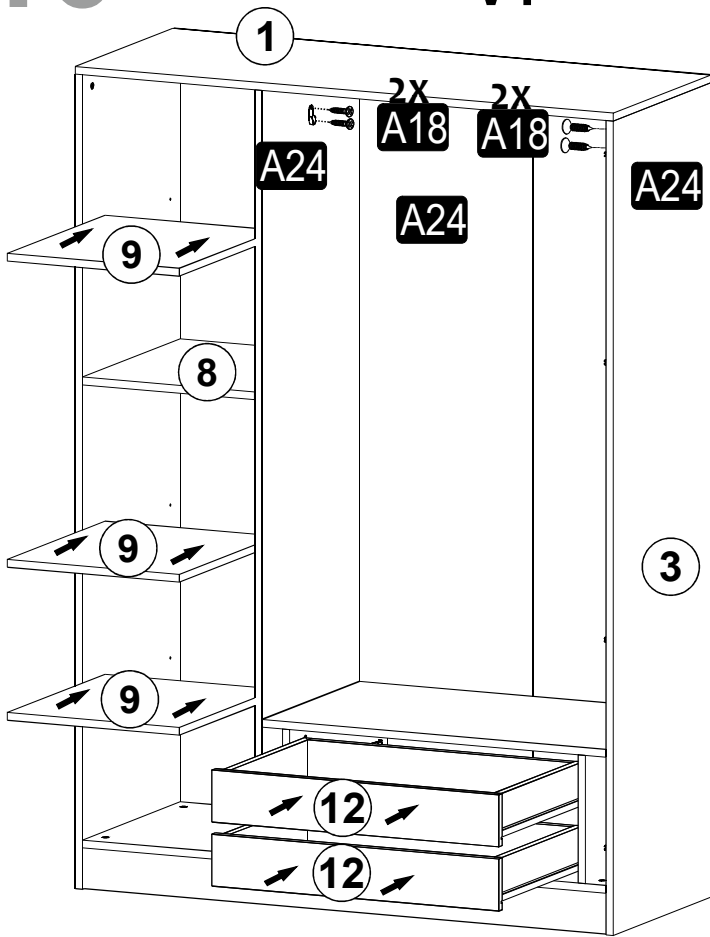
V2



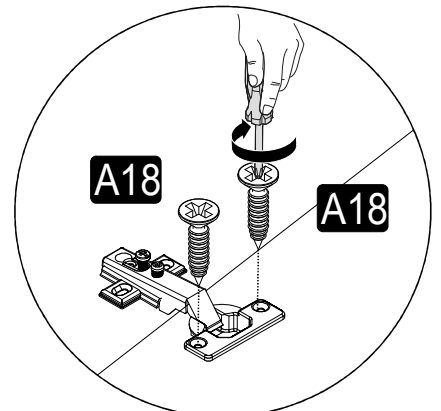
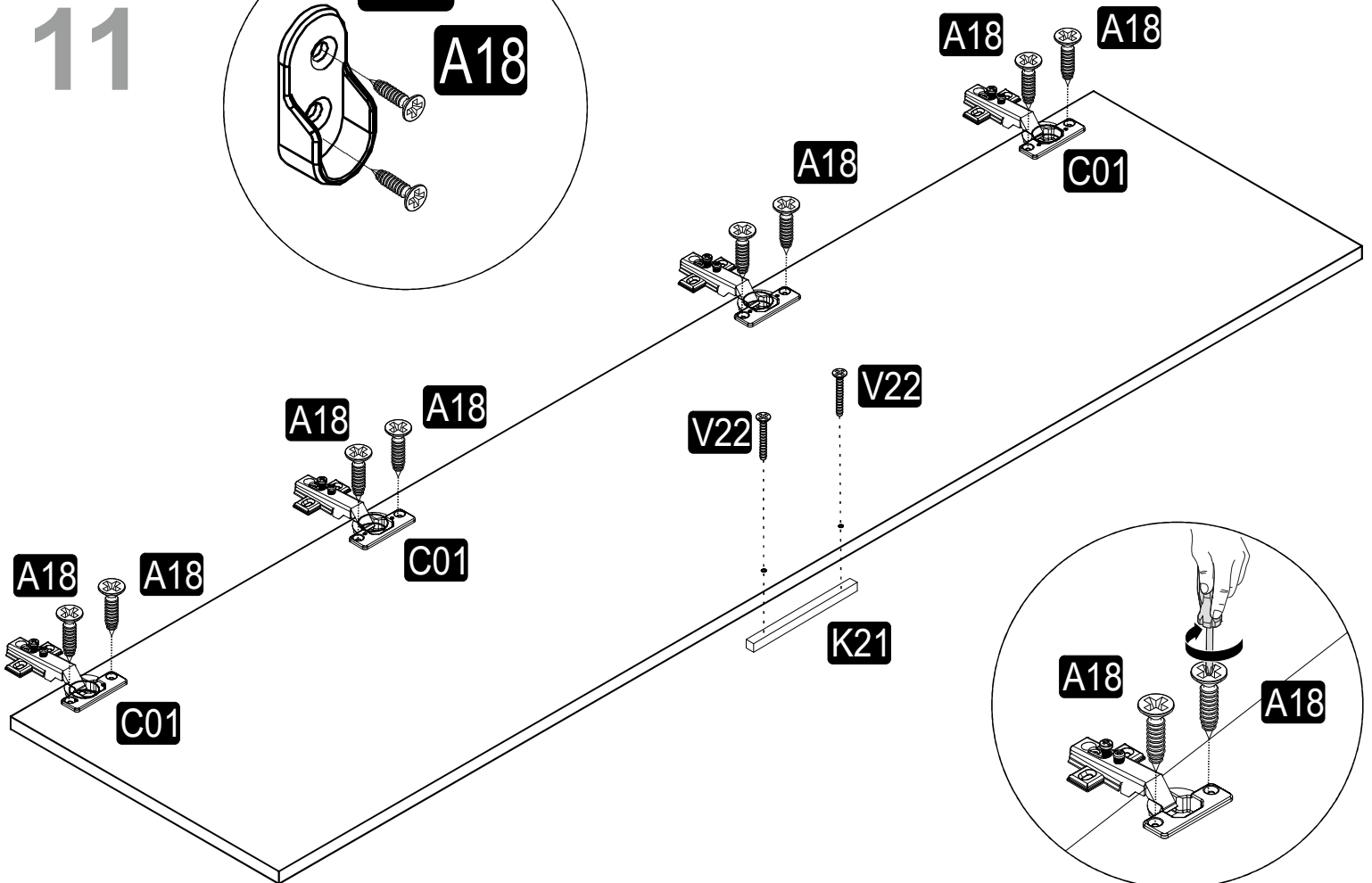
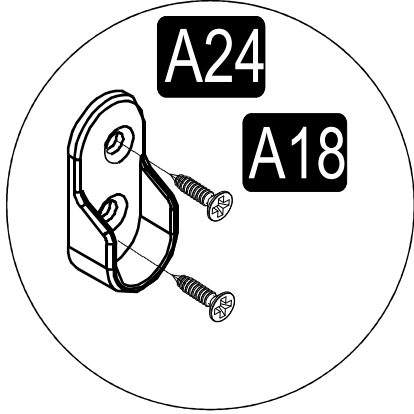
10

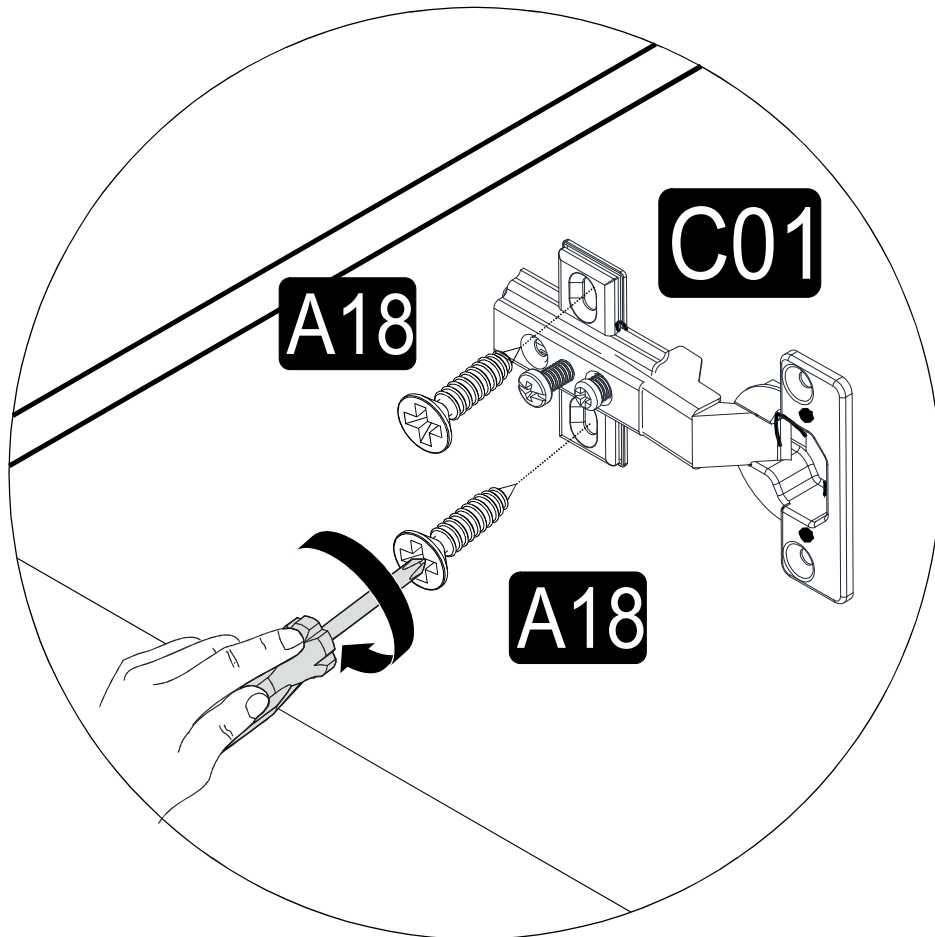
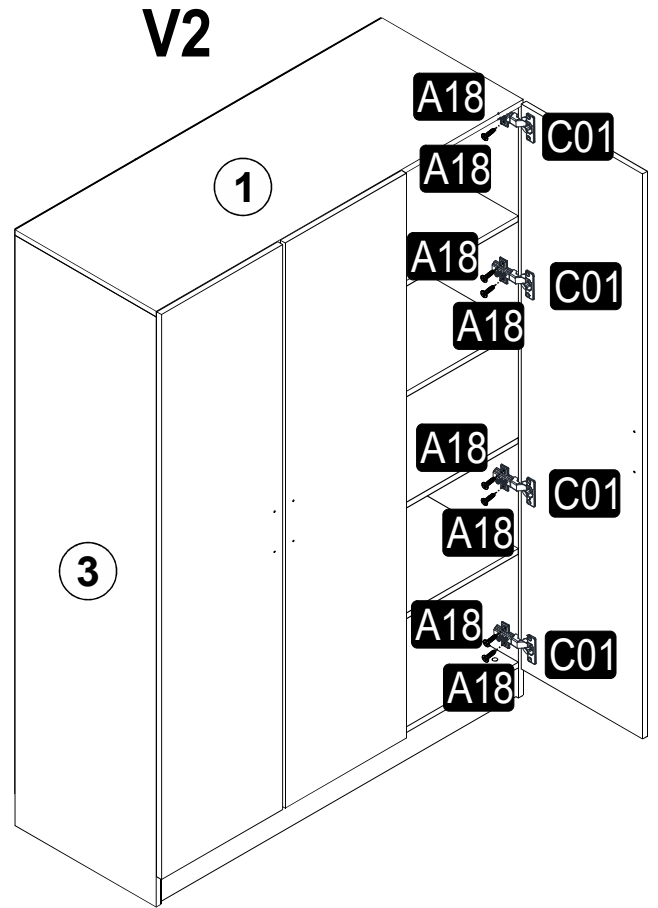
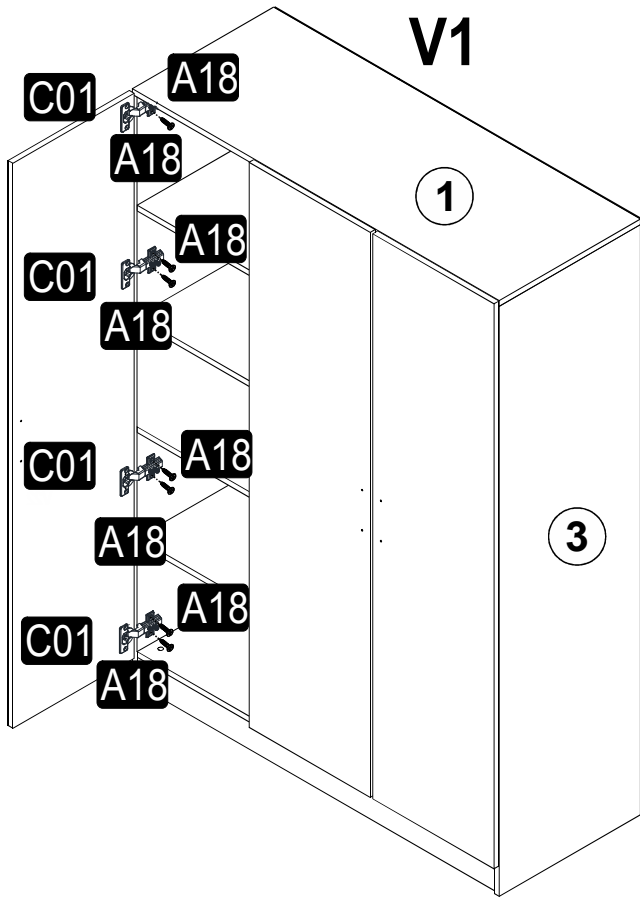
V1

V2



11



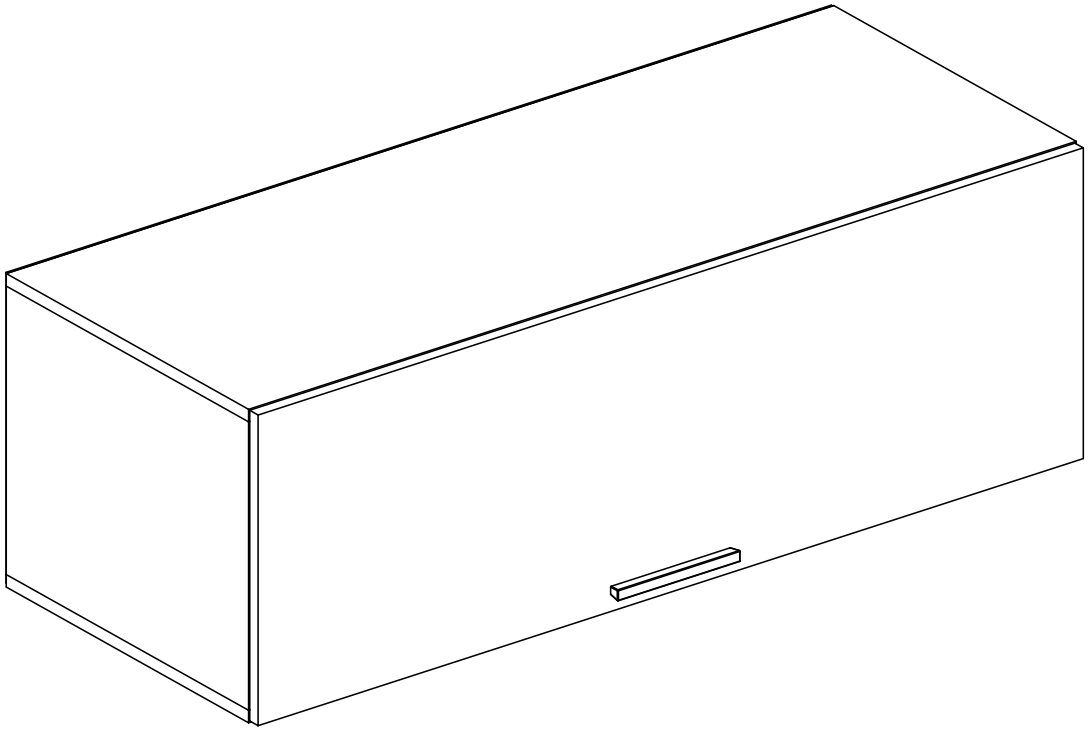


KALE 135CM

Y5041

WHITE/ANTR

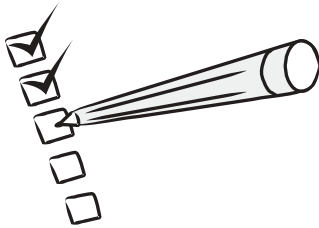
YÜKLÜK



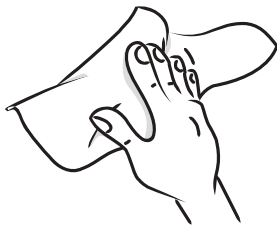
Dear Customer,

We design and produce our products for people to love and have fun with them as we do.

The product you bought was subjected to all sorts of tests and control before sending out to you.



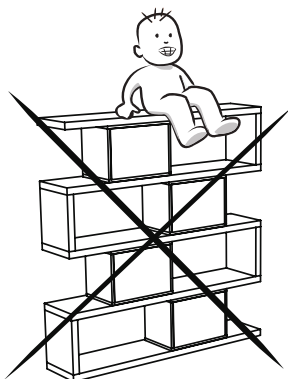
Before start assembling, please check the whole components and accessories according to the lists. If you bought more than one product, to prevent confusion be sure that you completed the first product. Then start the other product's assembling.



Before start assembling, please clean all the components with a damp cloth. Also for usual cleaning, this will be enough.



Although all the products are produced and packed carefully, sometimes happen that some component is damaged during the transportation. In such a case please check the missing or damaged part and do not hesitate to contact us. You can send e-mail to _____ or reach us at _____

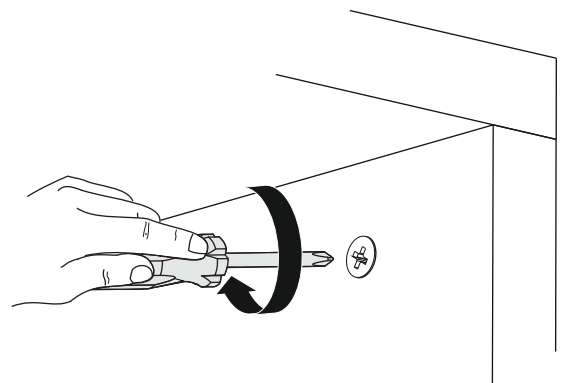
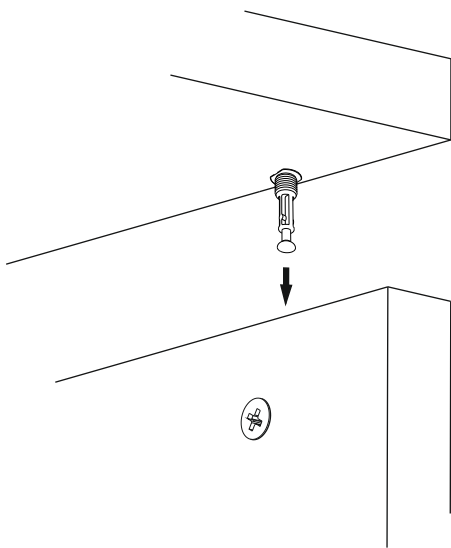
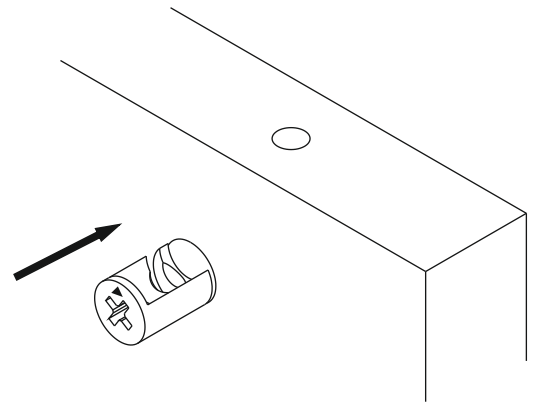
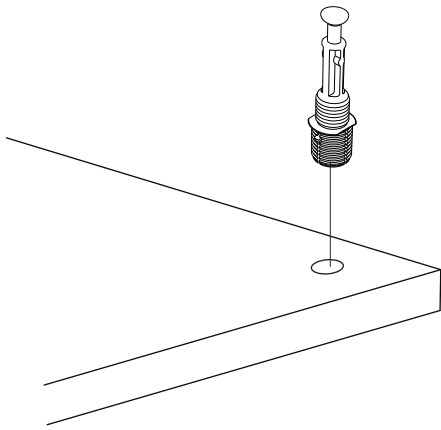
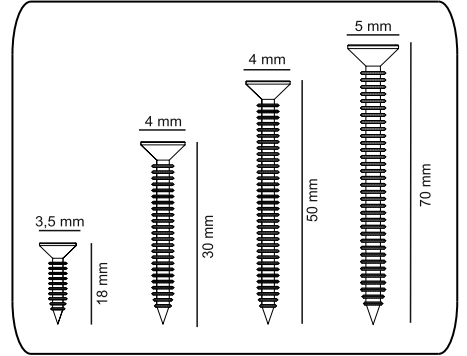
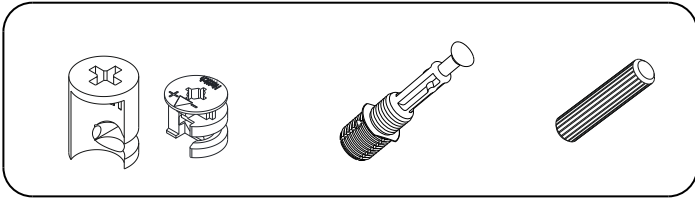


Do not use your furniture for out of purposes. If you would like to use it, please contact us for further questions.

Do not directly contact your furniture with excessive heat, cold and humidity because the product can be affected..

ATTENTION !!

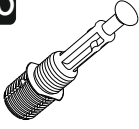
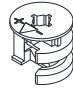
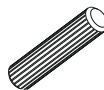

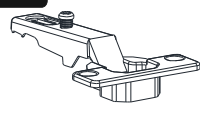
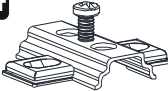



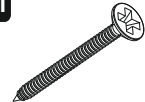
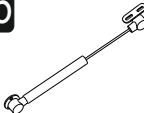

Minifix is the main connection material used in products. Before starting assembly, please check the drawings below.



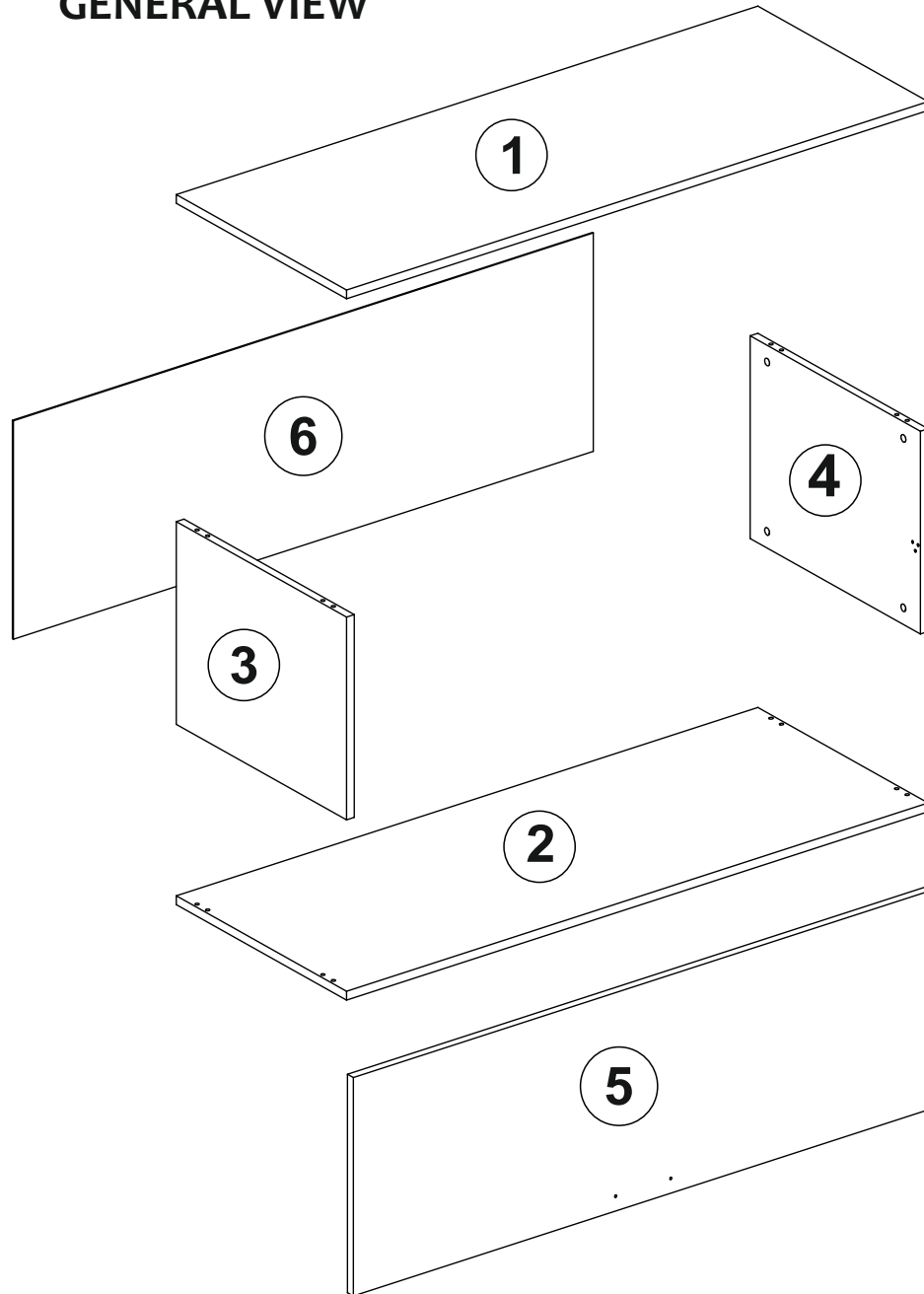
ACCESSORY LIST

BEYAZ/ANTR - Y5041

Kale 135cm Yüklük

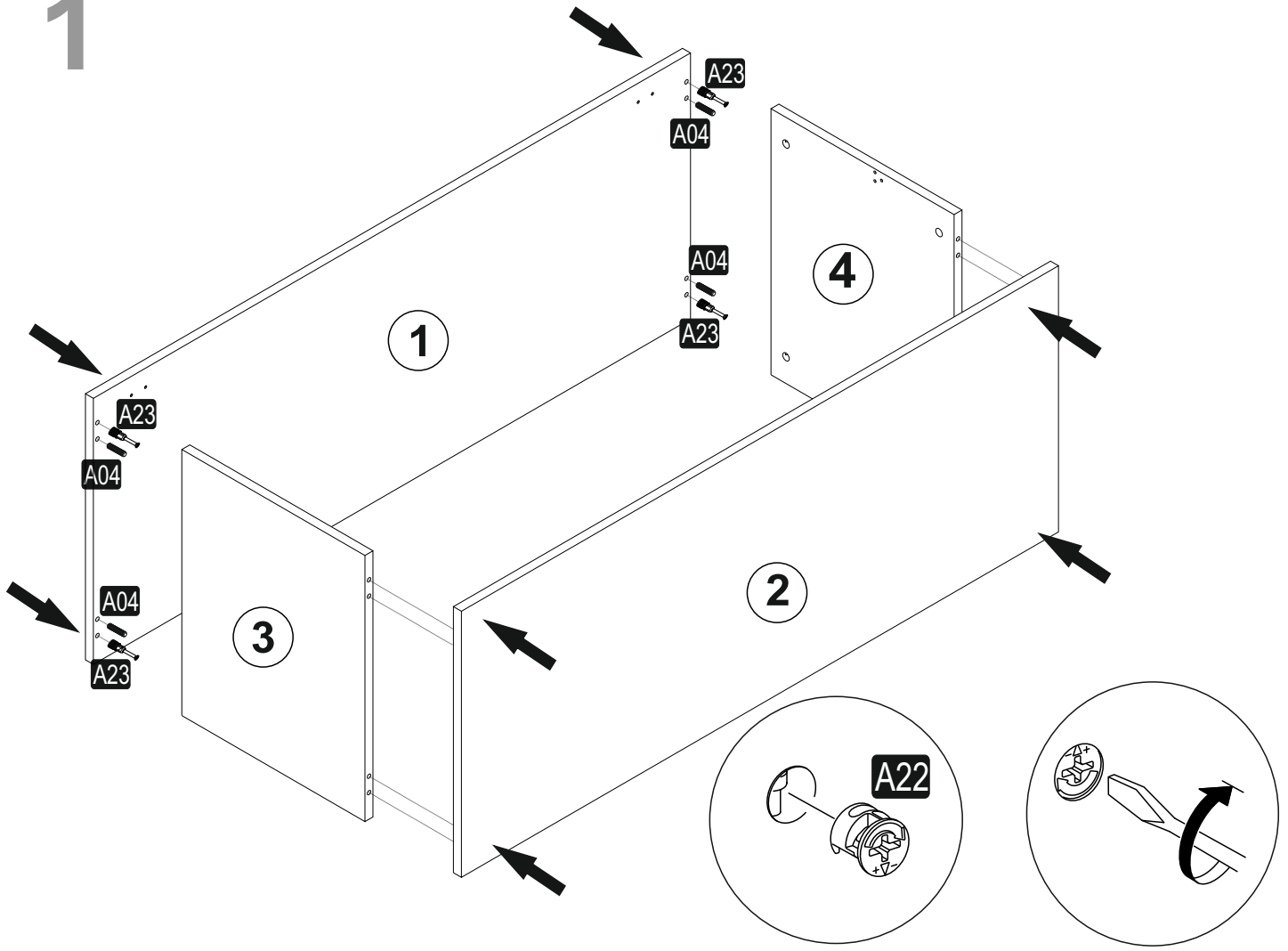
A23 Minifix M8  8x	A22 Minifix G18  8x	A04 KVLY  8x	A48 AC  18x	C01 DM  2x
C04 MA  2x	K21 KLP 128mm  1x	V33 KLP VD 32mm  2x	A18 3,5x18  18x	A41 4x30  4x
A85 PSTN 80N  2x	A06 BYZ 18 mm  8x			

GENERAL VIEW

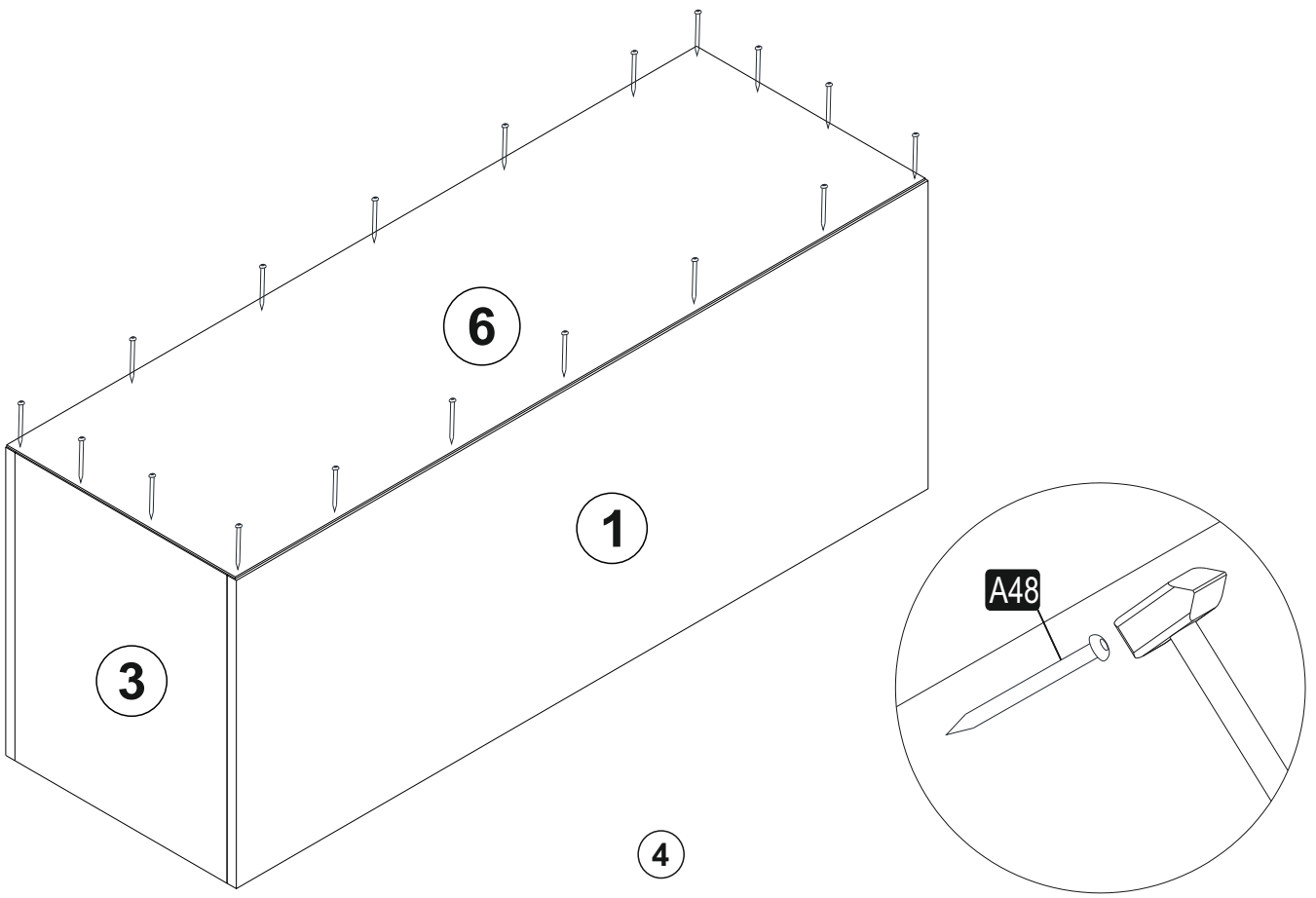


5131.01	1	1350	520	18
5131.02	1	1350	520	18
5131.03	1	414	520	18
5131.04	1	414	520	18
5131.05	1	1346	446	18
5131.06	1	1346	446	3

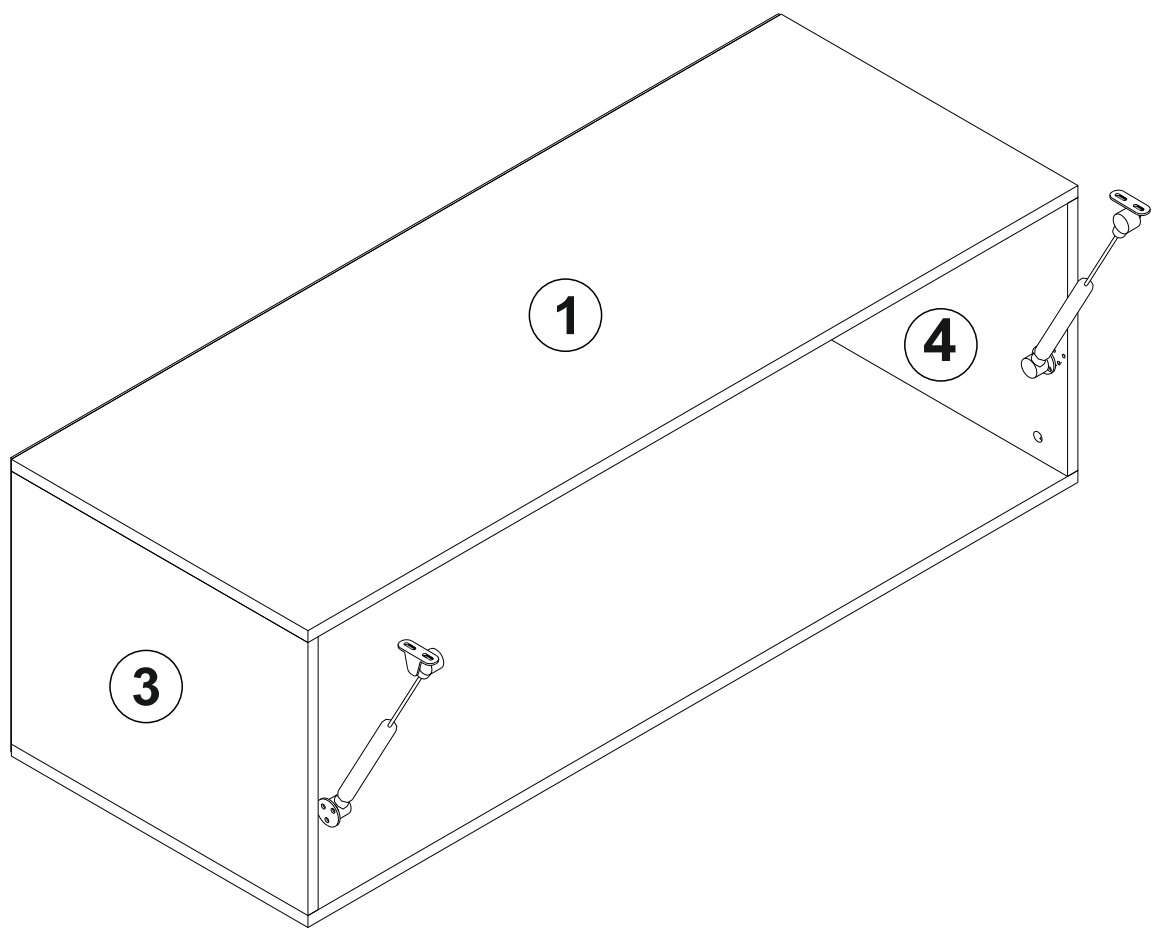
1



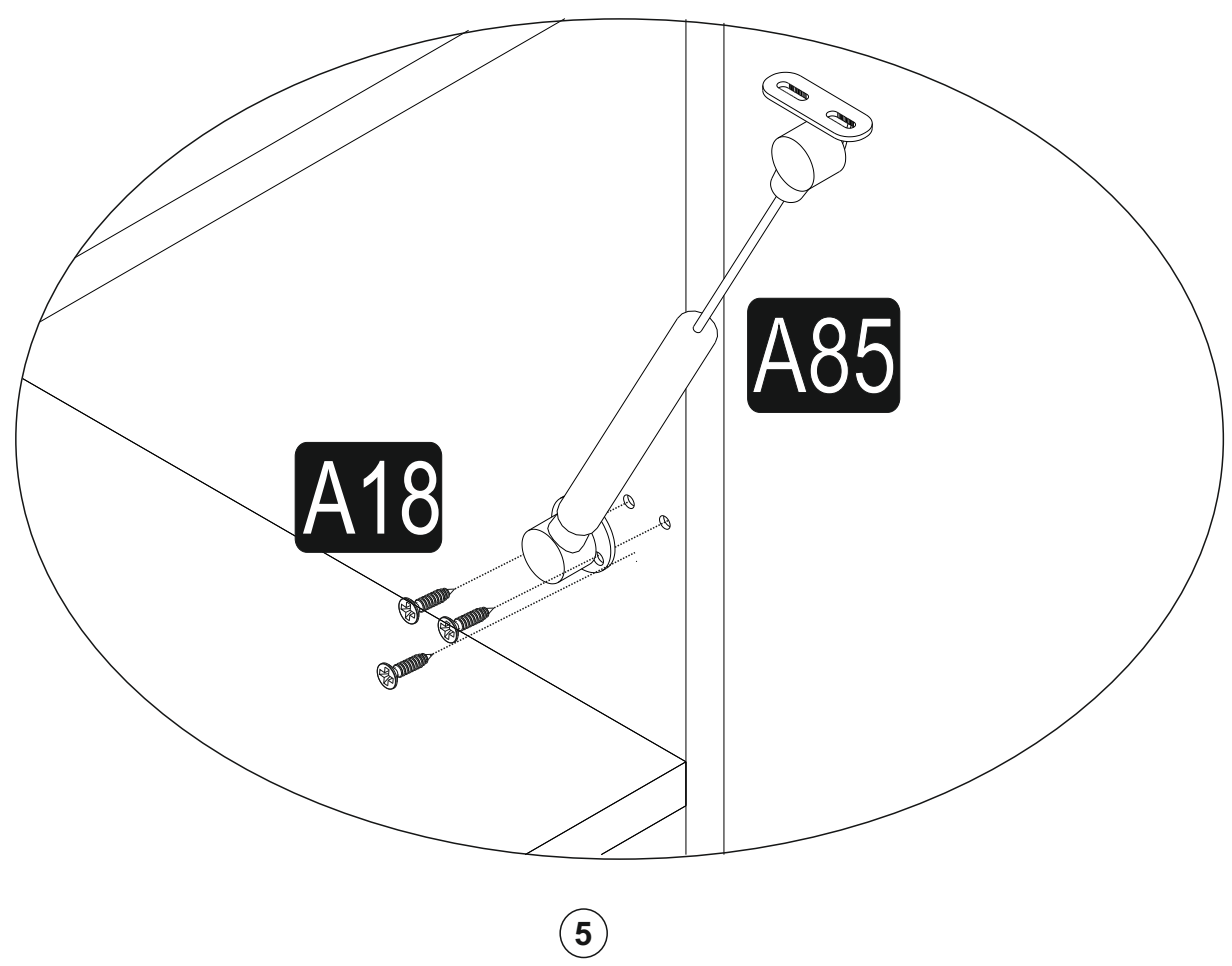
2



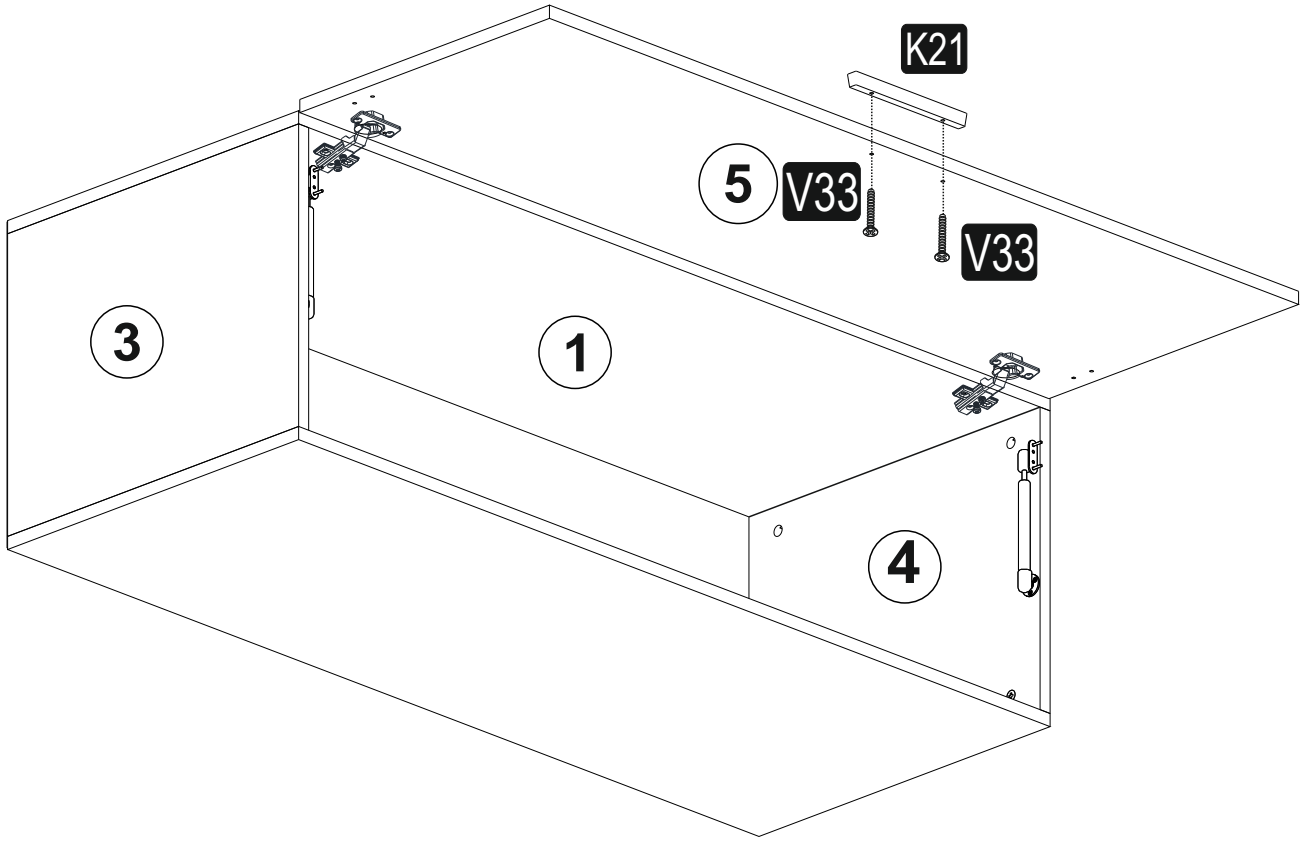
3



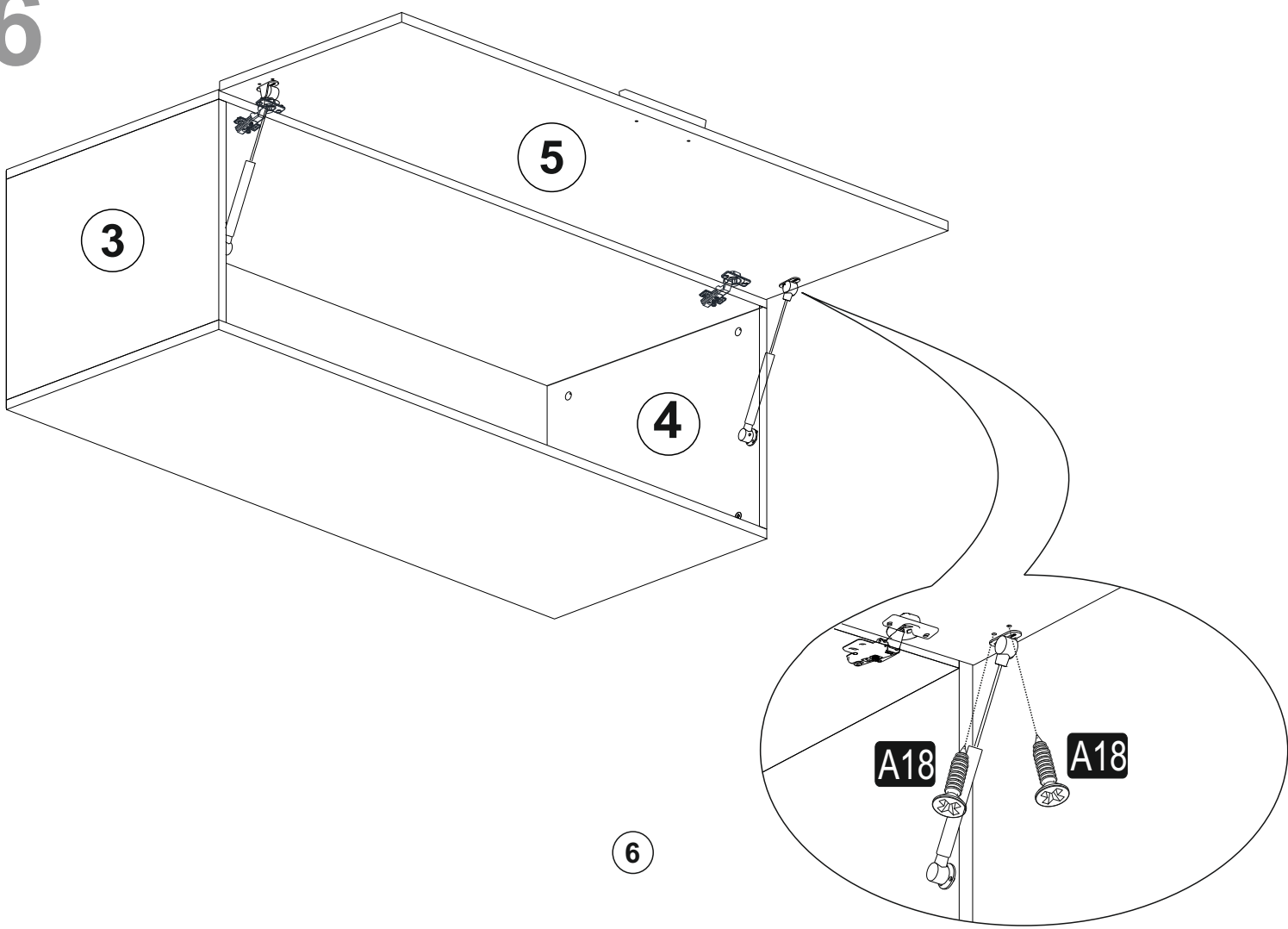
4



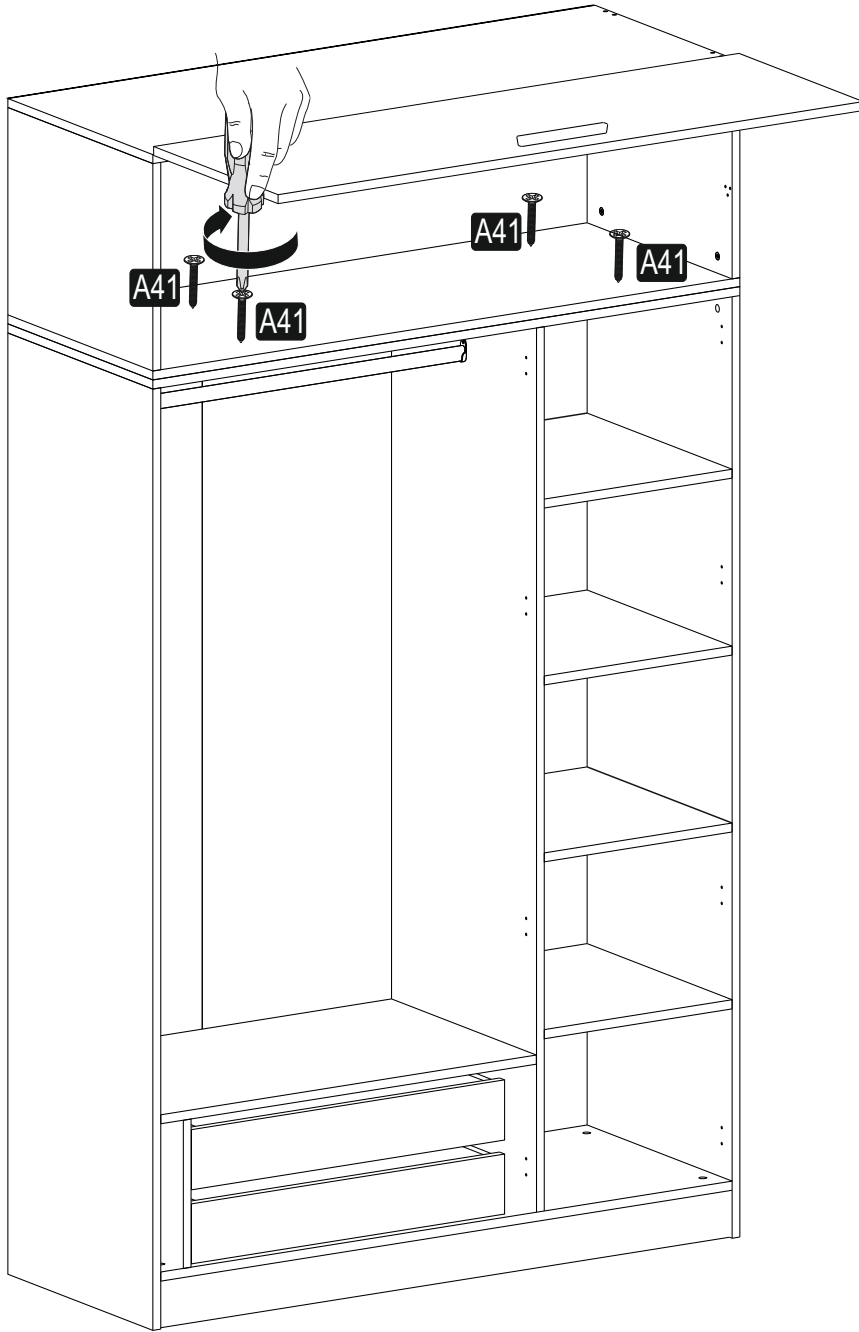
5



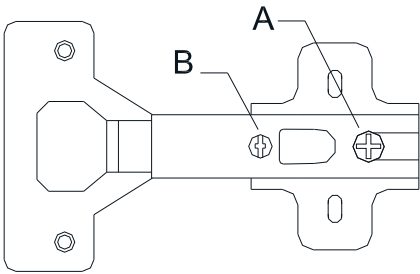
6



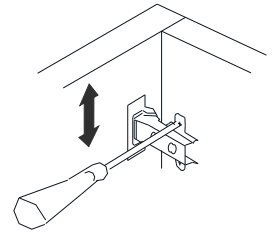
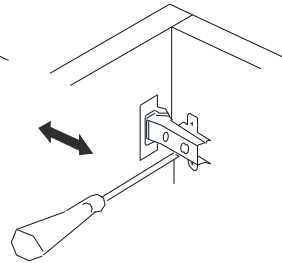
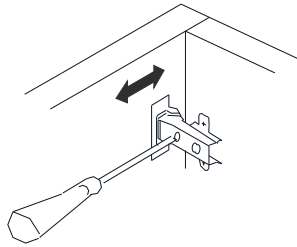
7



8



A= menteşe bağlama vidası / to connect the hinge to the door
B= kapak ayar vidası / to arrange the door


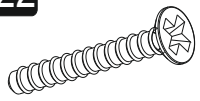


oklar kapağın ayarlama yönünü gösterir.
arrows to show the directions for arrangement of doors.

ACCESSORY LIST

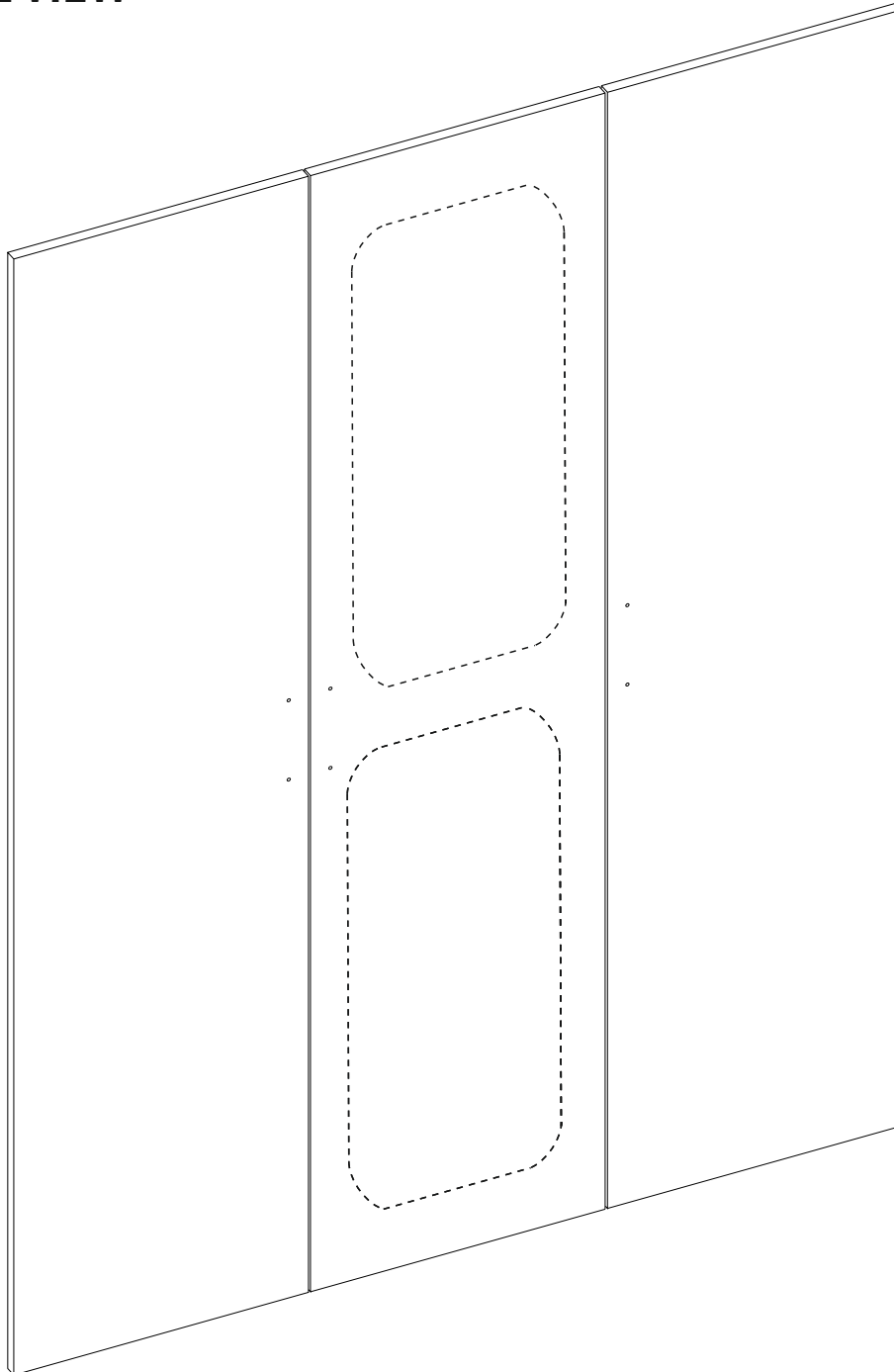
KALE

3 LÜ 1K CNC AYNA

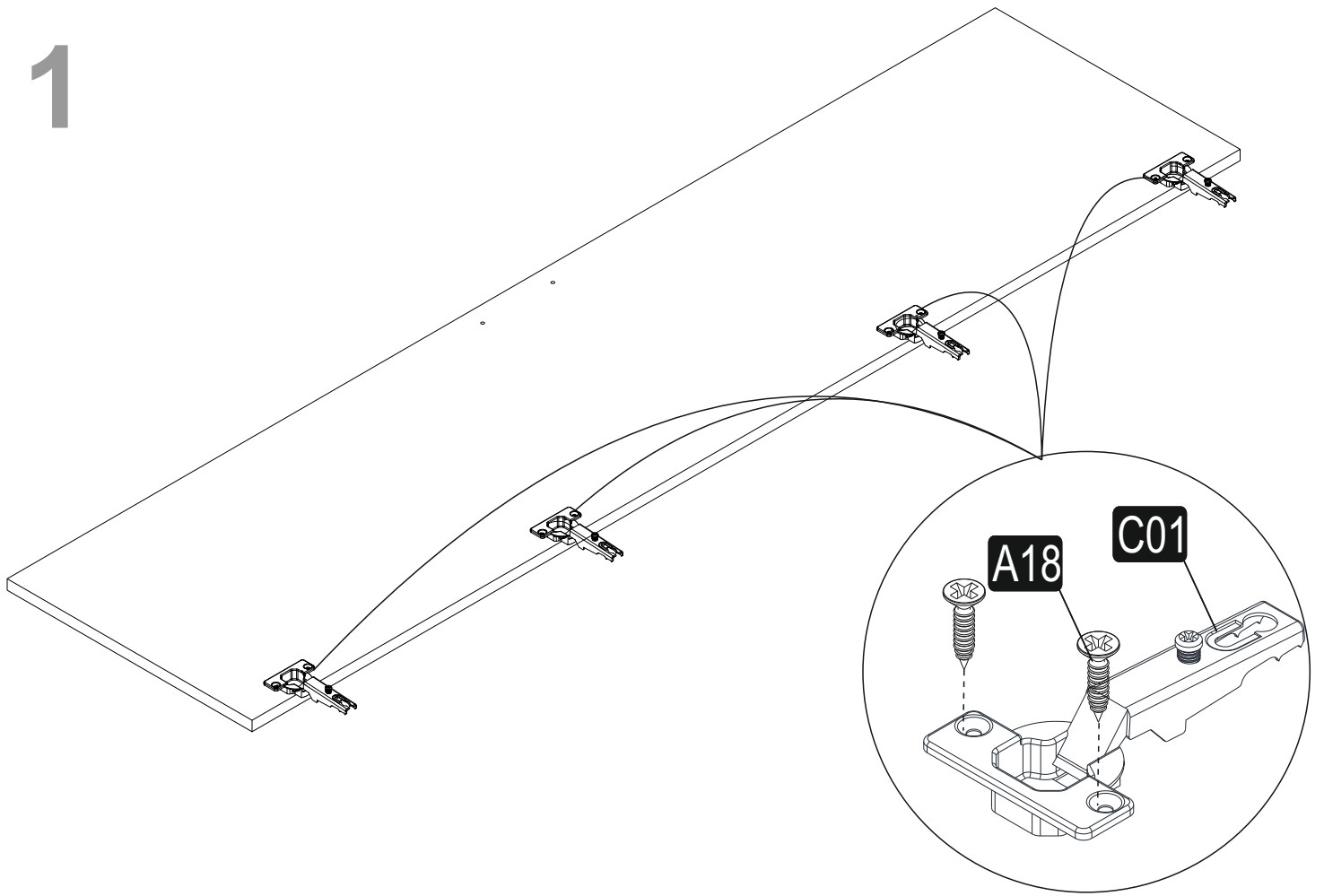
 K21 200mm SYH PLSTK 3x	 V22 plstk kvd 20mm 6x			

GENERAL VIEW

190+210 ORTAK



1



2

