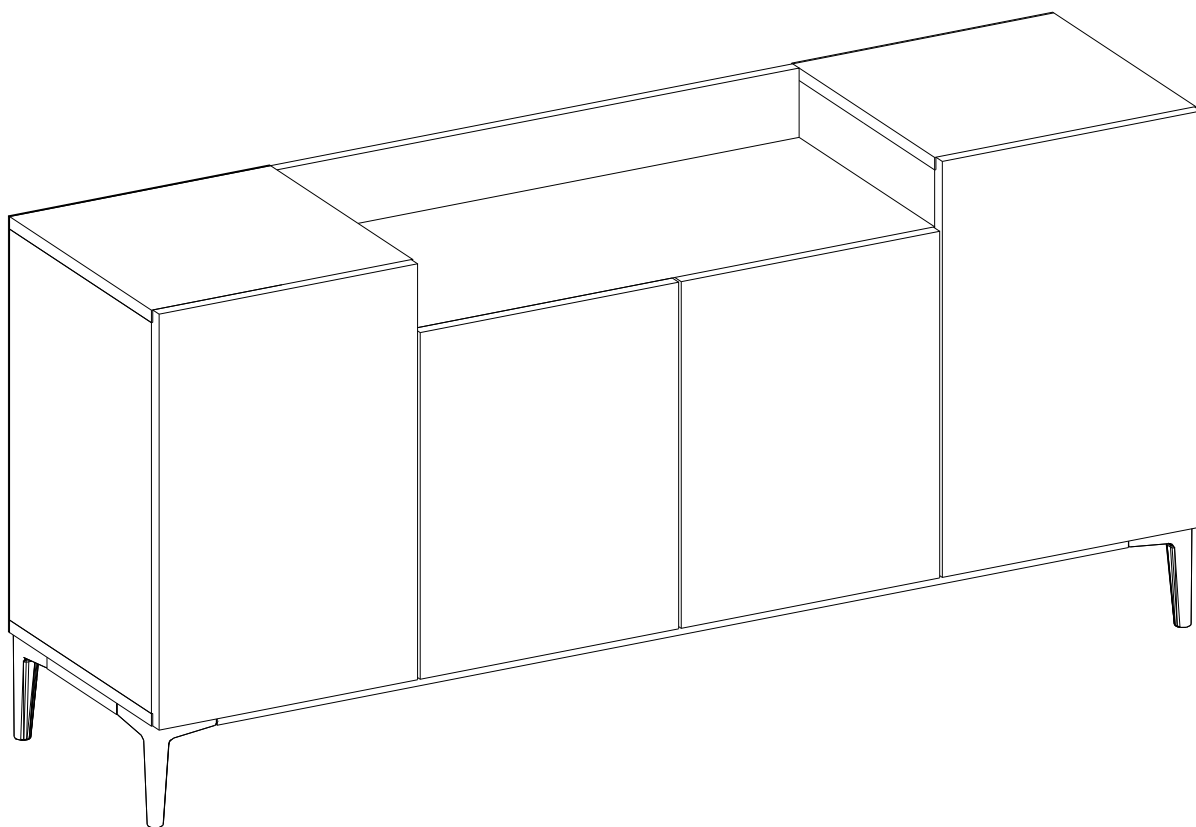
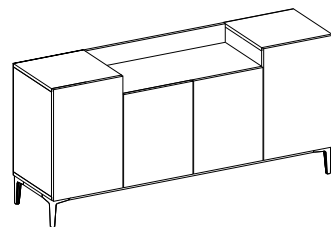


ELLARIA

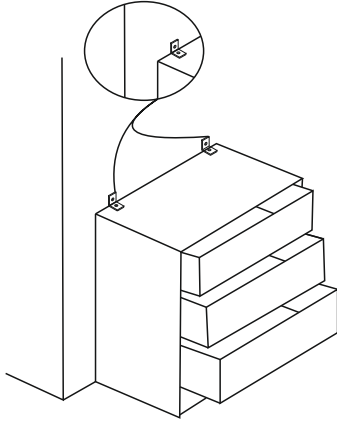
WHITE



Dear Customer,

We design and produce our products for people to love and have fun with them as we do.

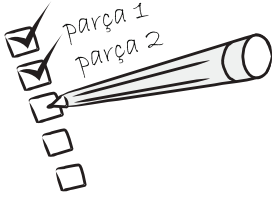
The product you bought was subjected to all sorts of tests and control before sending out to you.



Attention!

Using excessive force to the furniture can cause furniture to fall

This can damage you both financially and physically. In order to avoid this situation, please use wall mounting fixtures



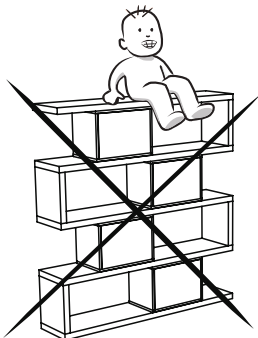
Before start assembling, please check the whole components and accessories according to the lists. If you bought more than one product, to prevent confusion be sure that you completed the first product. Then start the other product's assembling.



Before start assembling, please clean all the components with a damp cloth. Also for usual cleaning, this will be enough.



Although all the products are produced and packed carefully, sometimes happen that some component is damaged during the transportation. In such a case please check the missing or damaged part and do not hesitate to contact us. You can send e-mail to or reach us at

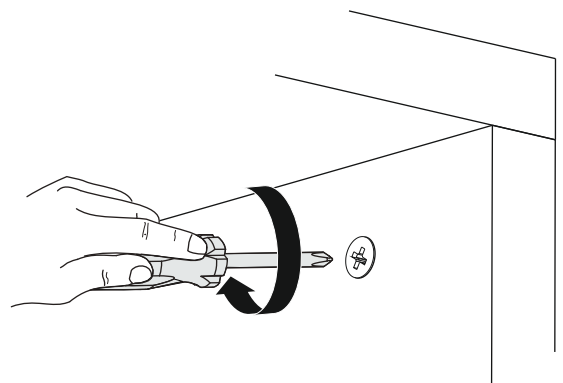
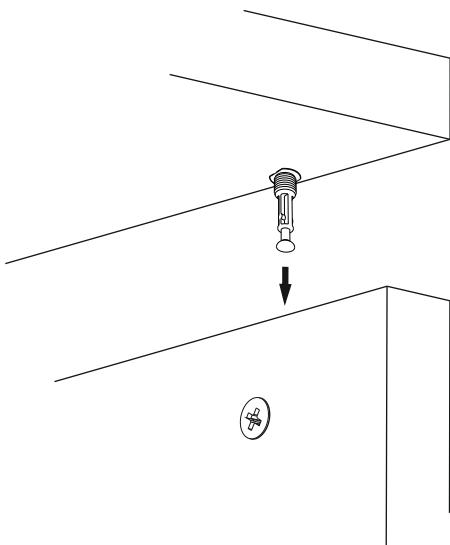
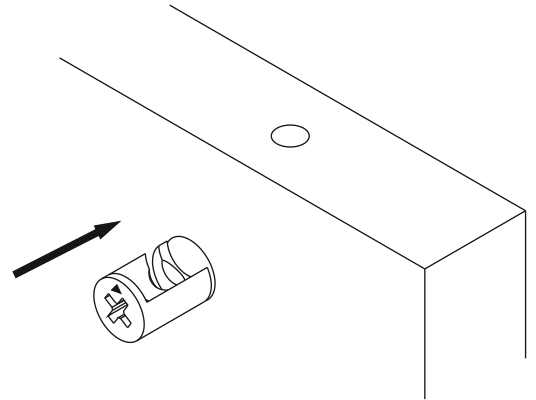
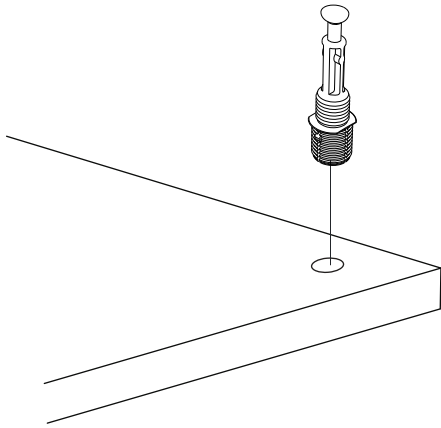
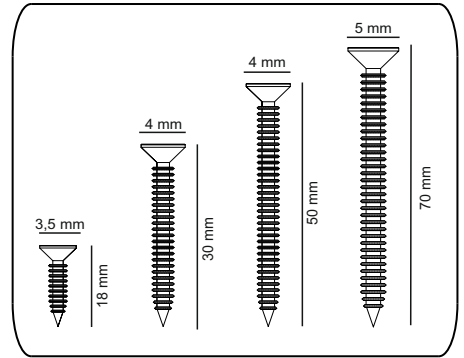
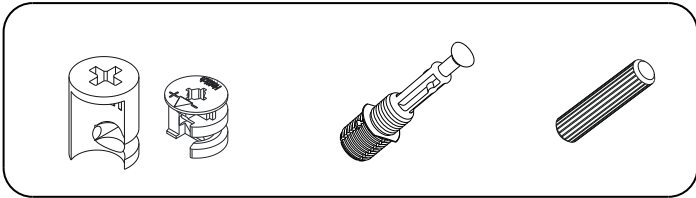


Do not use your furniture for out of purposes. If you would like to use it, please contact us for further questions.

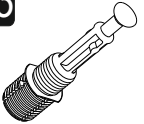
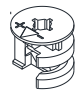
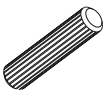



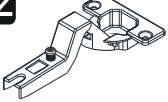
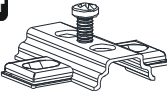


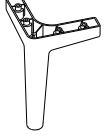

Do not directly contact your furniture with excessive heat, cold and humidity because the product can be affected..

ATTENTION !!

Minifix is the main connection material used in products. Before starting assembly, please check the drawings below.

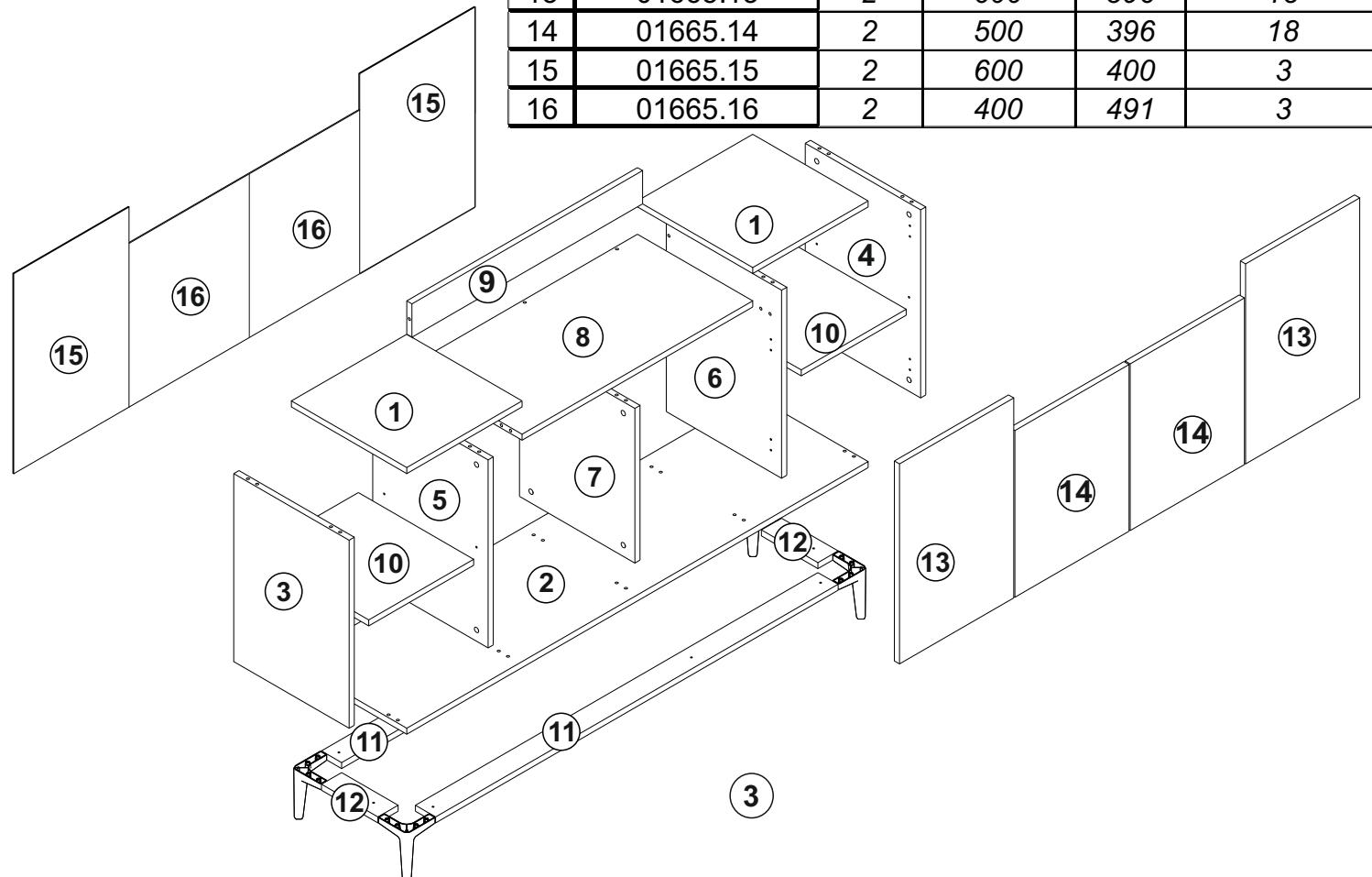


ACCESSORY LIST

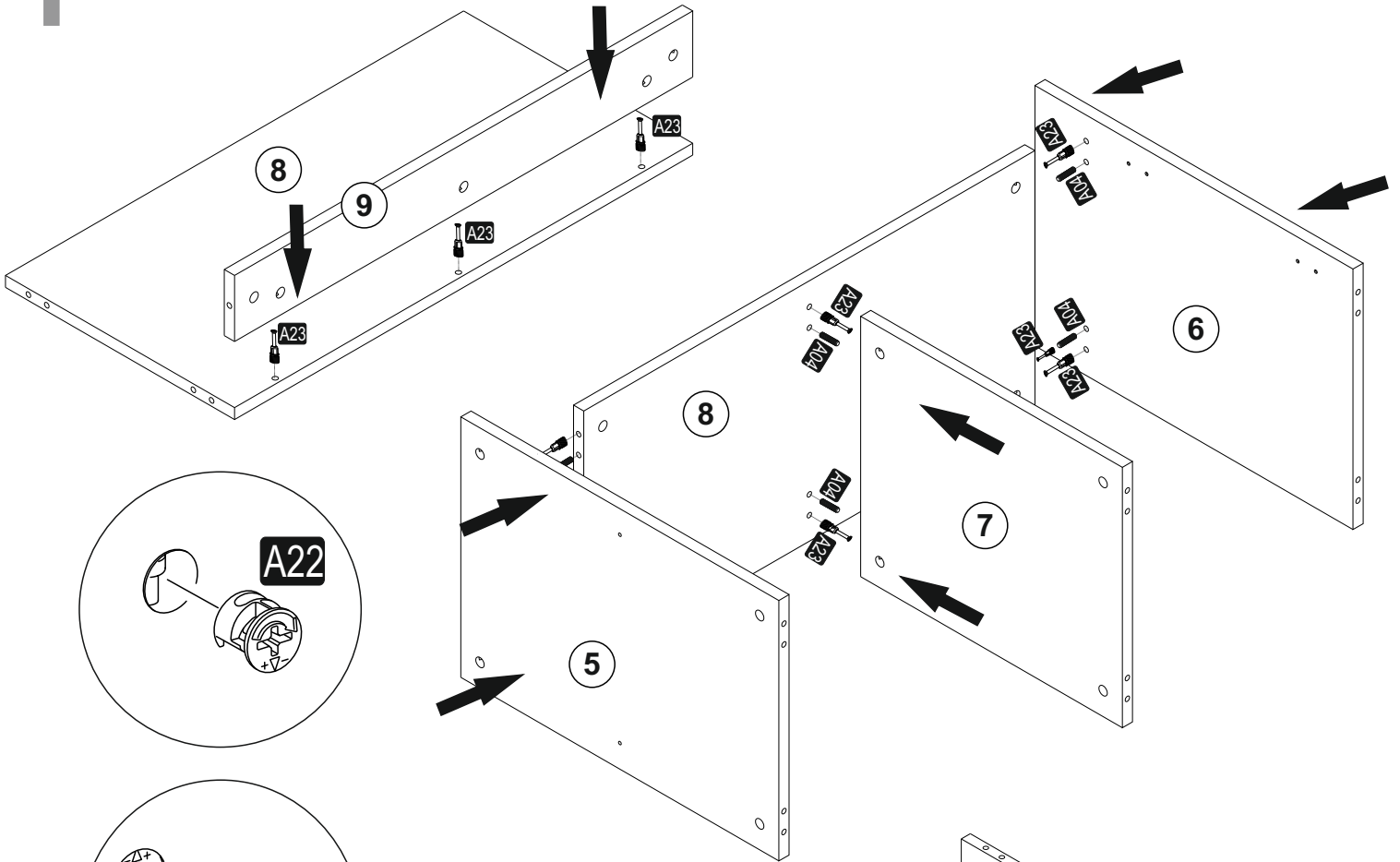
A23 Minifix M10  29x	A22 Minifix G18  29x	A04 KVLV  24x	A65 RP  8x	A41 4x30  12x
C01 DM  4x	C02 SDM  4x	C04 MA  8x	A06 18 mm BYZ  29x	A48 AC  40x
A99 siYAH  5x	A18 3,5x18  52x			

GENERAL VIEW

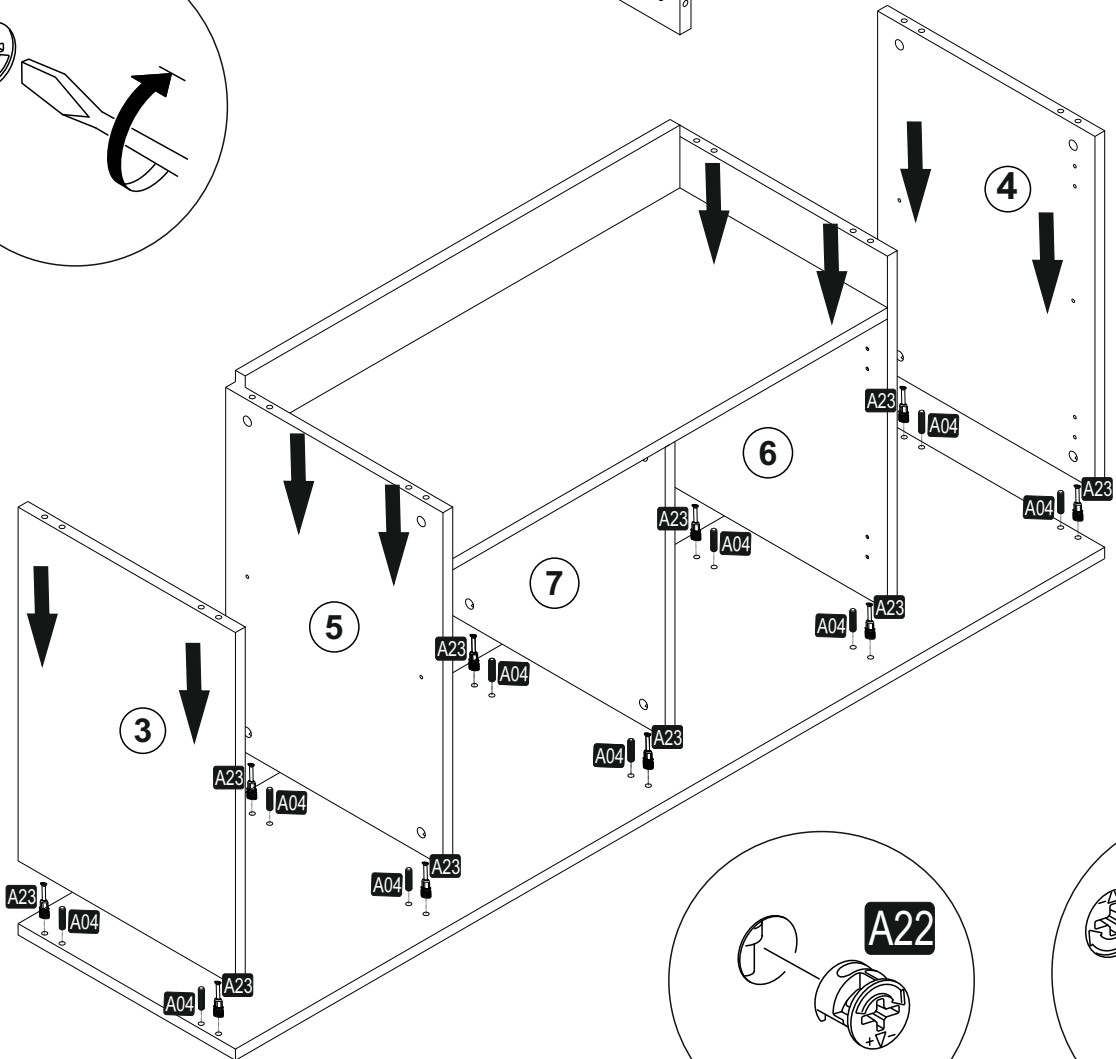
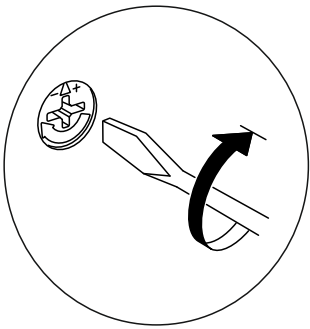
NO	PART CODE	PIECE	LENGHT	WIDHT	THICKNESS
1	01665.01	2	400	400	18
2	01665.02	1	1600	400	18
3	01665.03	1	564	400	18
4	01665.04	1	564	400	18
5	01665.05	1	564	400	18
6	01665.06	1	564	400	18
7	01665.07	1	464	400	18
8	01665.08	1	800	400	18
9	01665.09	1	800	100	18
10	01665.10	2	364	400	18
11	01665.11	2	1398	70	18
12	01665.12	2	198	70	18
13	01665.13	2	600	396	18
14	01665.14	2	500	396	18
15	01665.15	2	600	400	3
16	01665.16	2	400	491	3



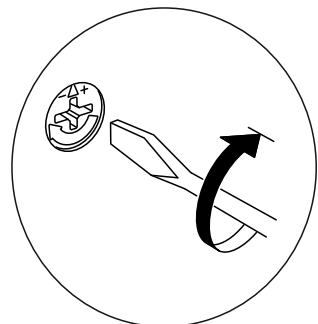
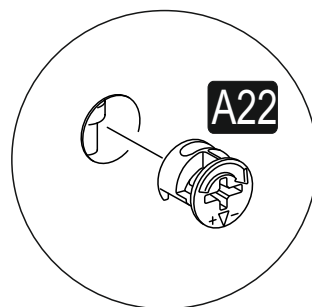
1



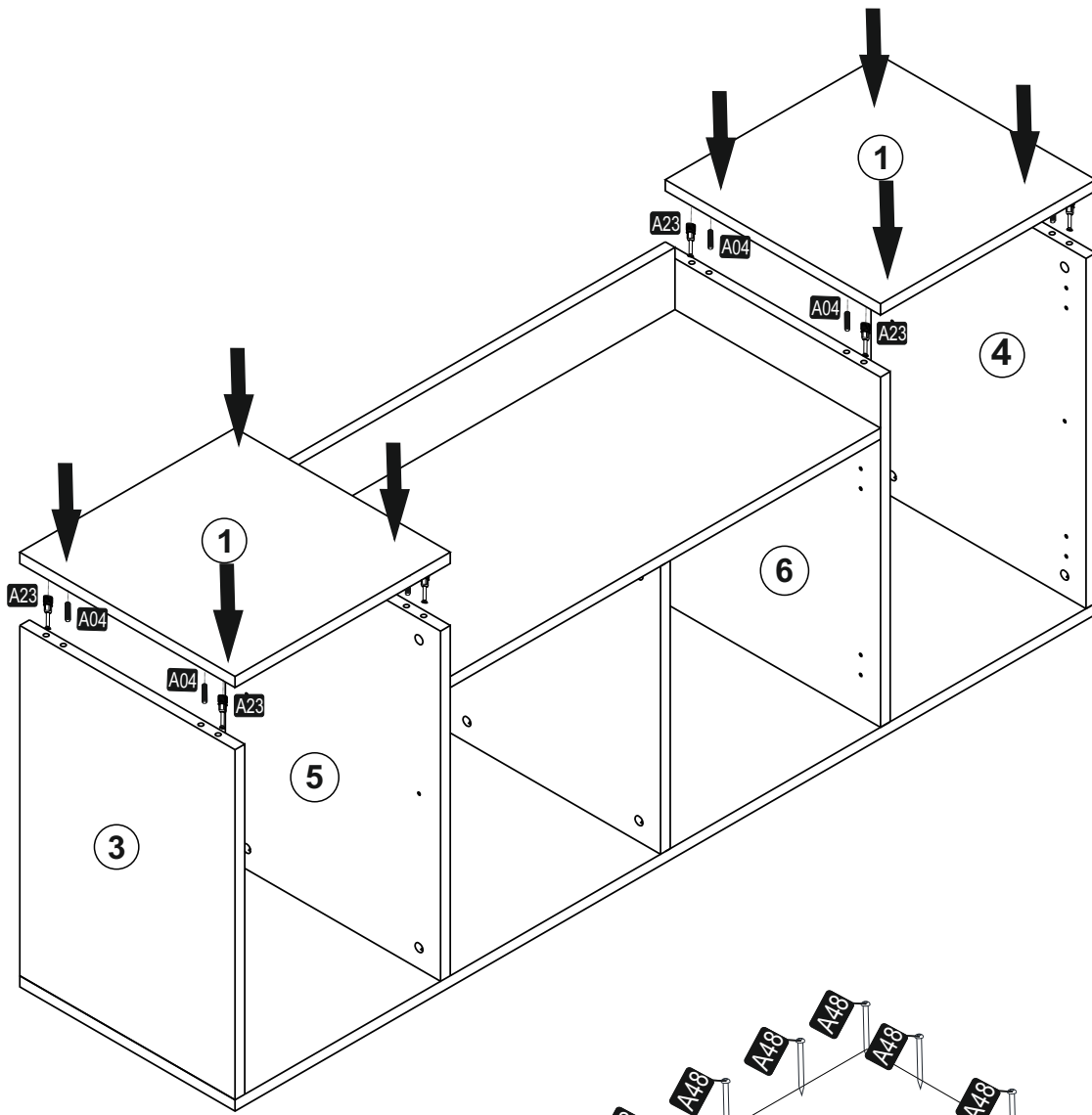
2



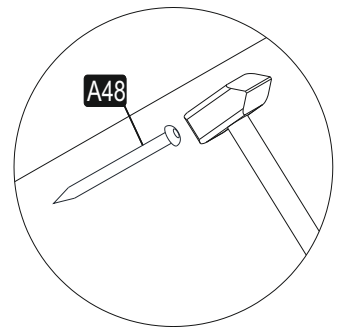
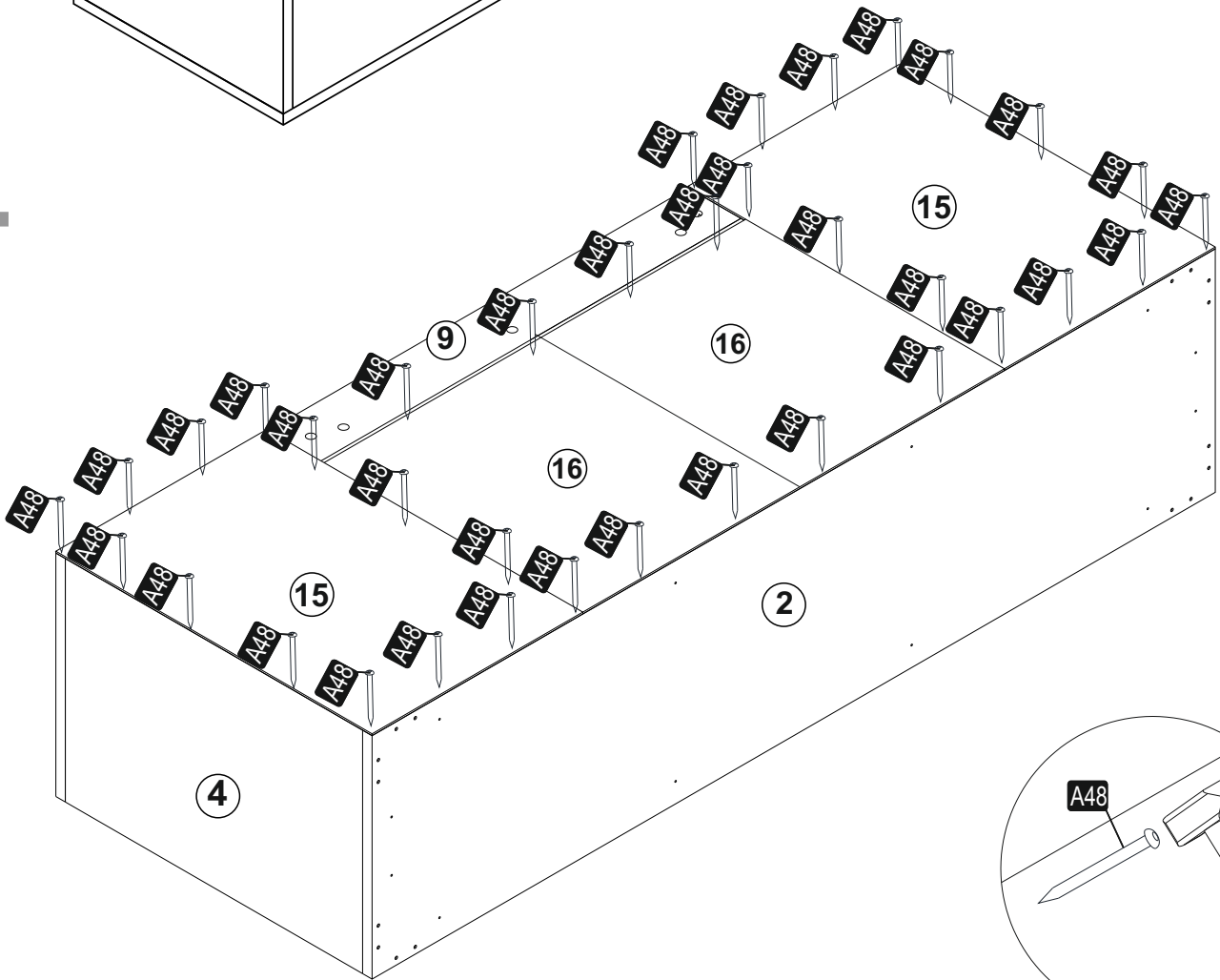
4



3

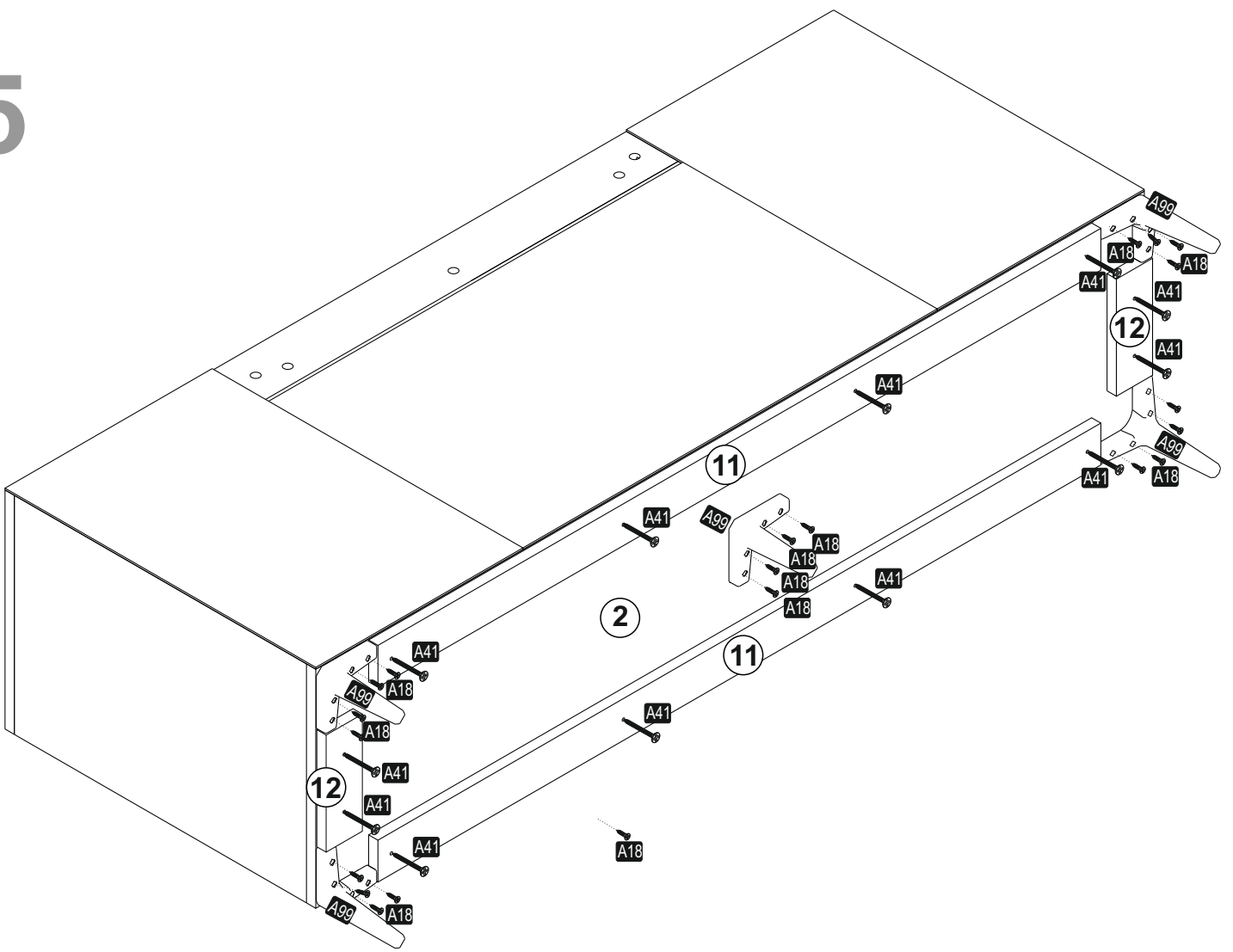


4

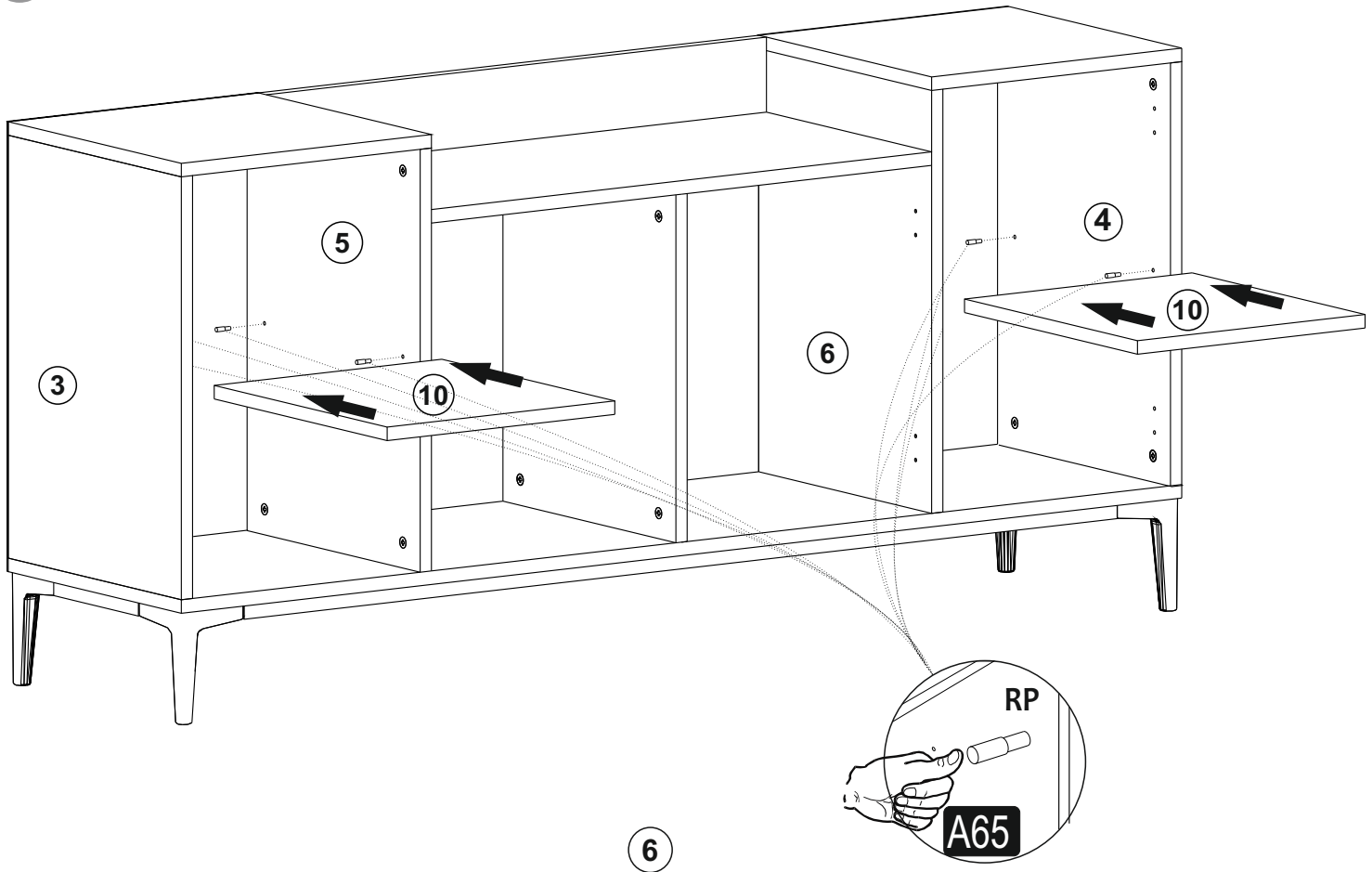


5

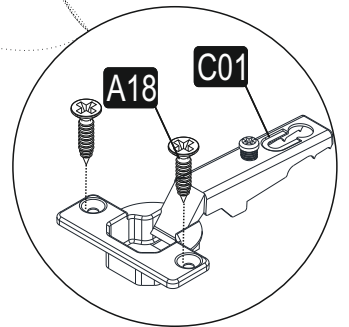
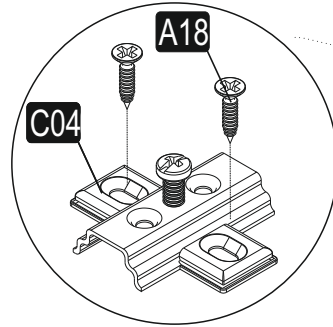
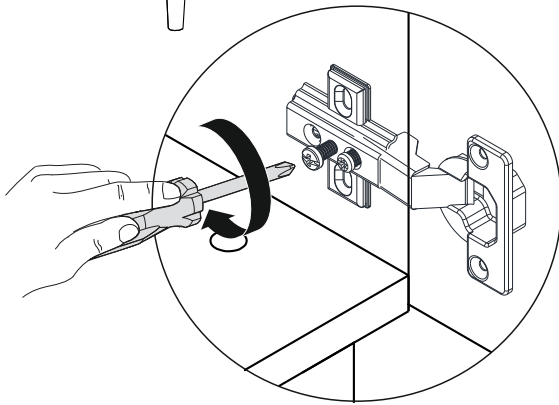
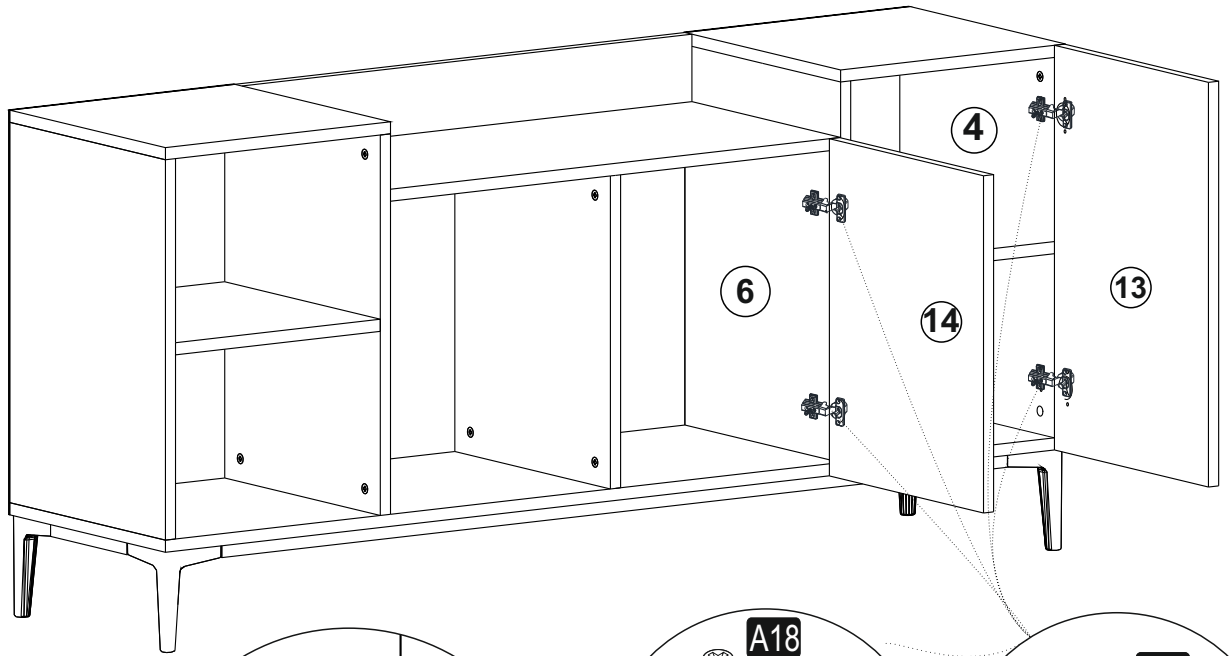
5



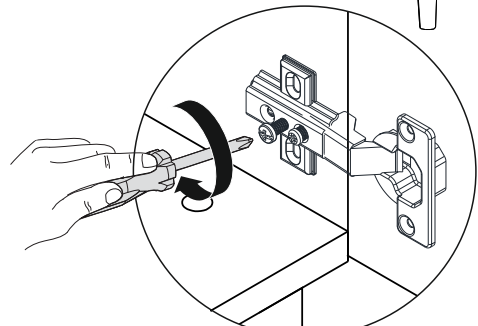
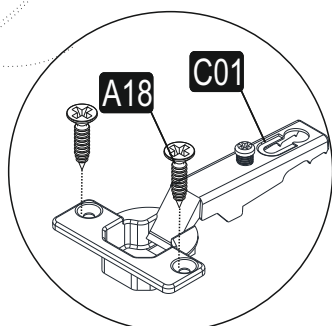
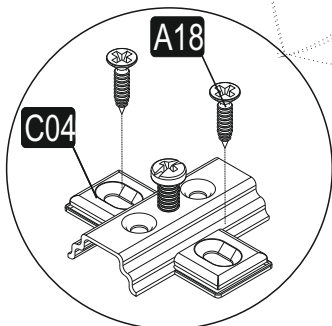
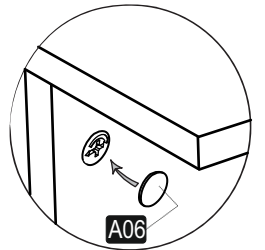
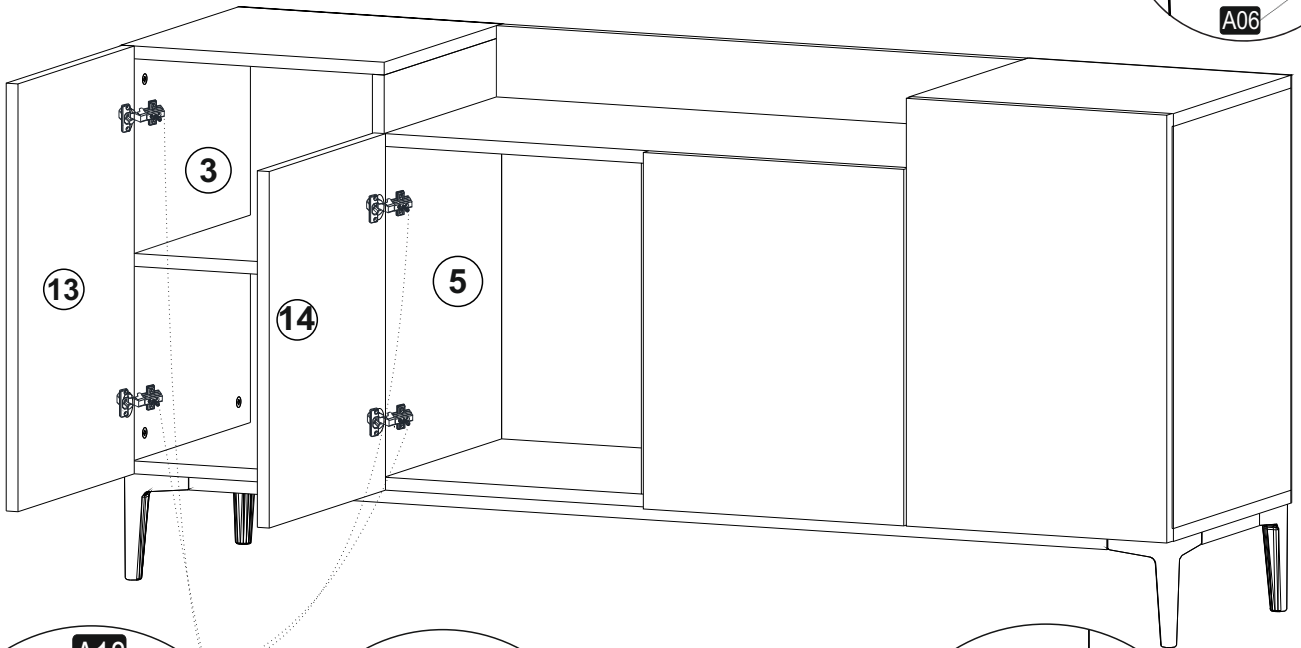
6



7



8



7