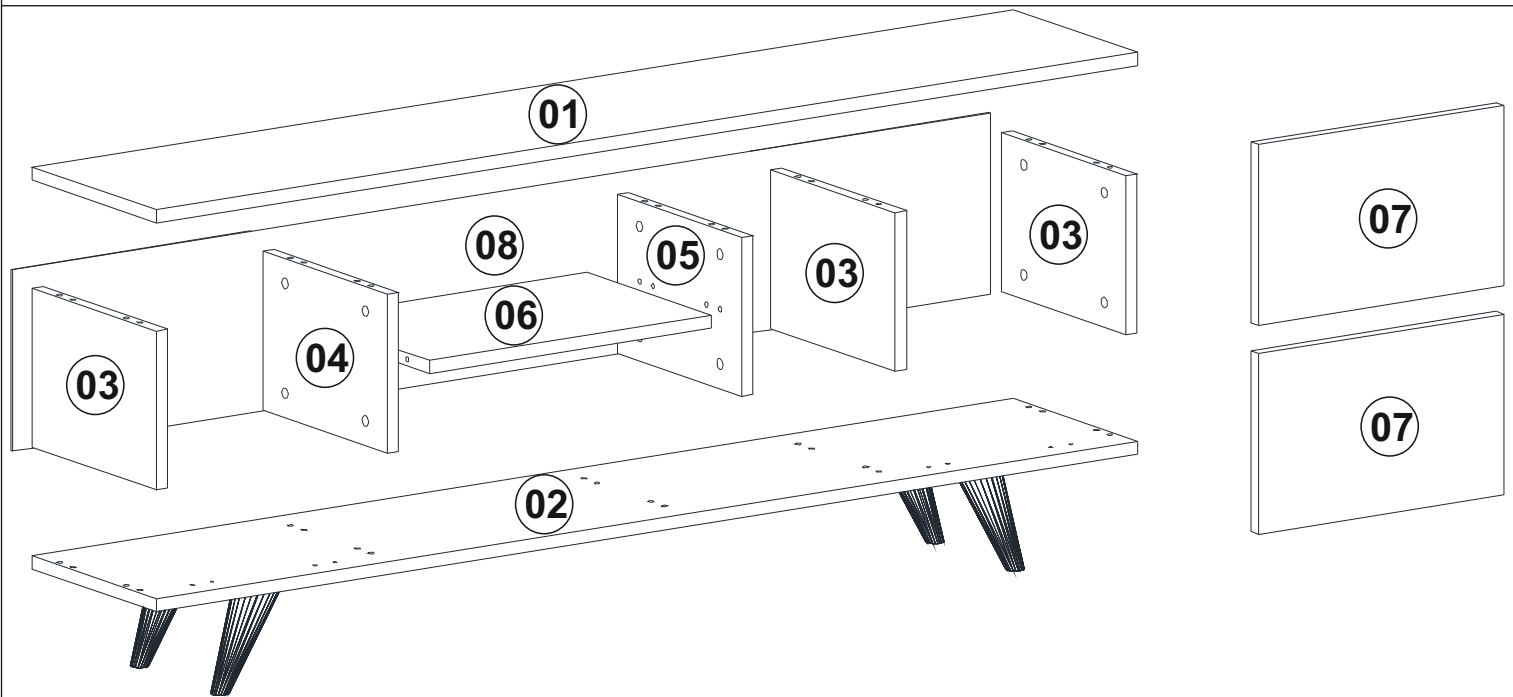
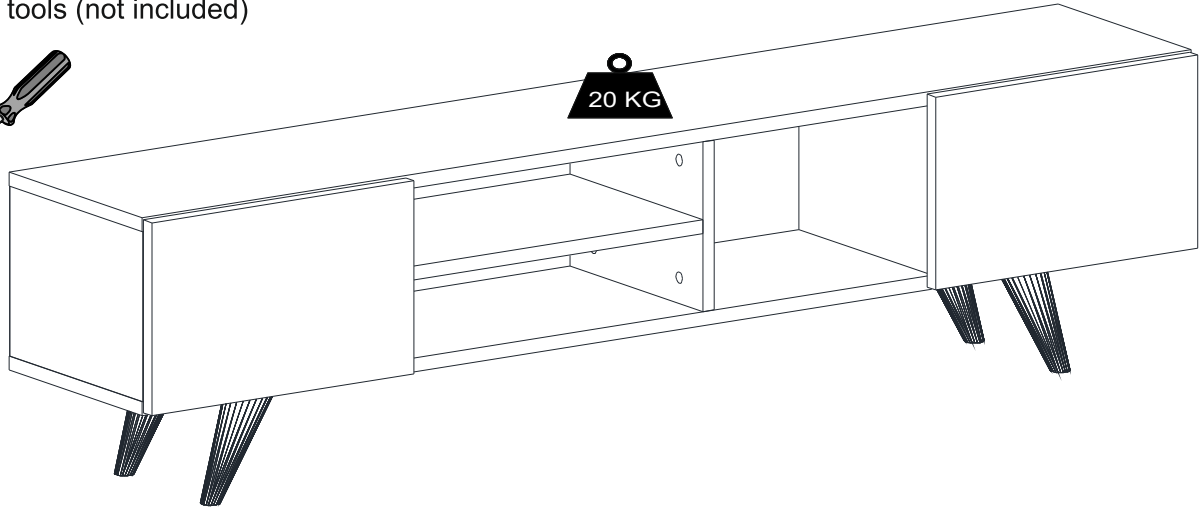
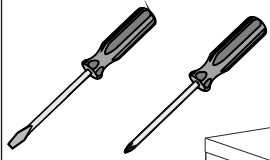


The necessary tools (not included)



ACCESSORY LIST

 A01 24x	 A02 24x	 A03 24x	 A10 41x	 A04 16x	 A46 5x
 A28 22x	 A12 4x	 A13 4x	 A04 8x		

PARTS

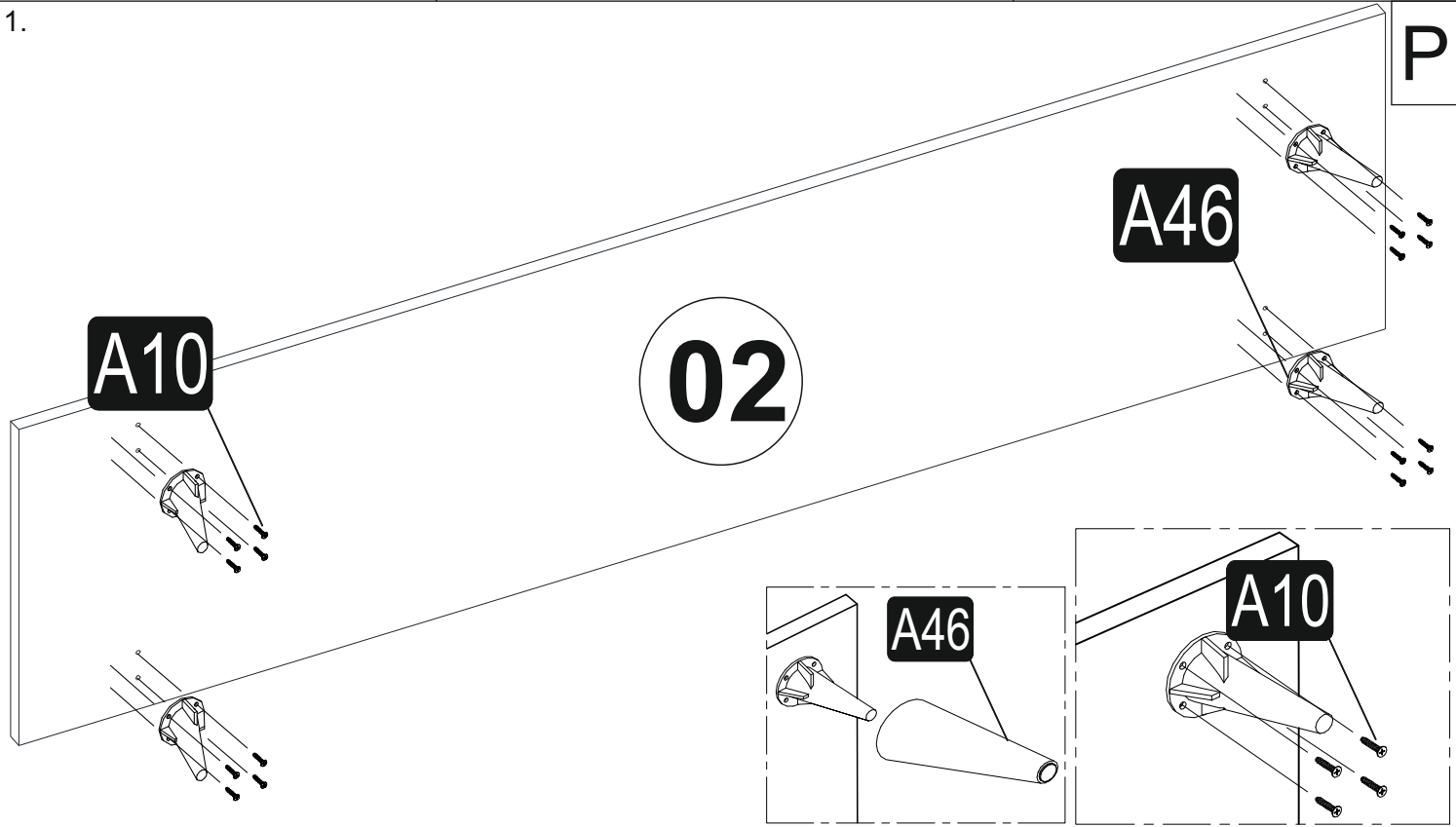
NO	PART CODE	PIECE	LENGHT	WIDHT	THICKNESS
1	00044.01	1	1600	297	18
2	00044.02	1	1600	297	18
3	00044.03	3	220	297	18
4	00044.04	1	220	297	18
5	00044.05	1	220	297	18
6	00044.06	1	460	297	18
7	00044.07	2	400	250	18
8	00044.08	1	1597	251	3

Dear Customer,

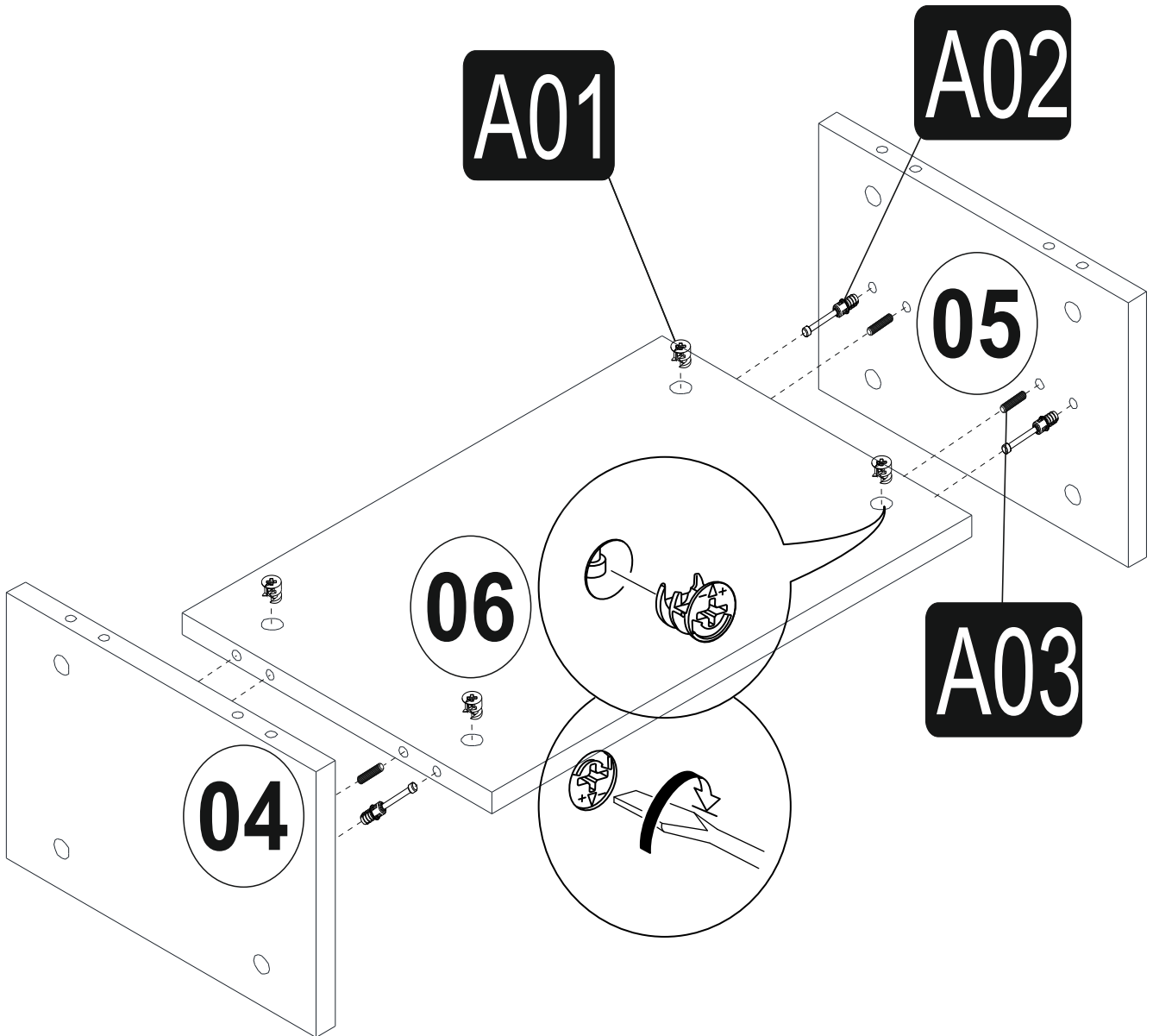
The product you bought was subjected to all sorts of tests and control before sending out to you. Even in this situation, sometimes happen that some component is damaged during the transportation. In such case please do not send the whole article back to us. Just request/order the damaged part. While requesting the required part, describe it exactly by looking to service card. Missing part will be sent to you as soon as possible. Before start assembling, please check the whole components and accessories according to the lists. After being sure that every part and accessory are okay and right, start assembling. Before start assembling, please clean all the components with a damp cloth. If you bought more than one product, to prevent confusion be sure that you completed the first product. Then start the other product's assembling. Never draw the products. While carrying, disassociate and lift the product and carry with minimum 2 people. For long distances carry the product with the package.

It is very easy to clean the surfaces of your product. It is enough to wipe with a damp and soapy cloth or other household cleaners. Do not directly contact your furniture with excessive heat, cold and humidity because the product can be affected. Do not use your furniture for out of purposes.

1.

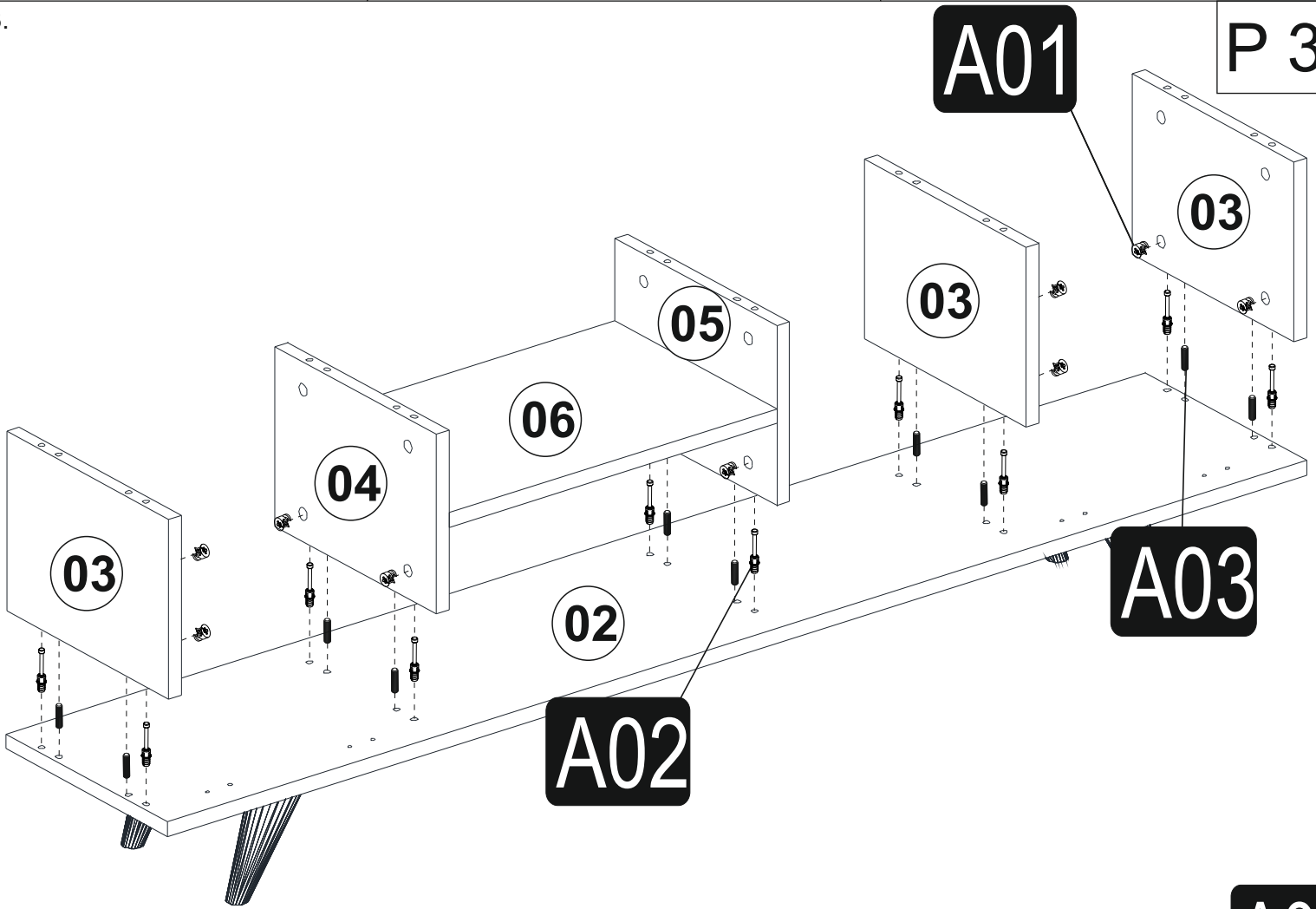


2.

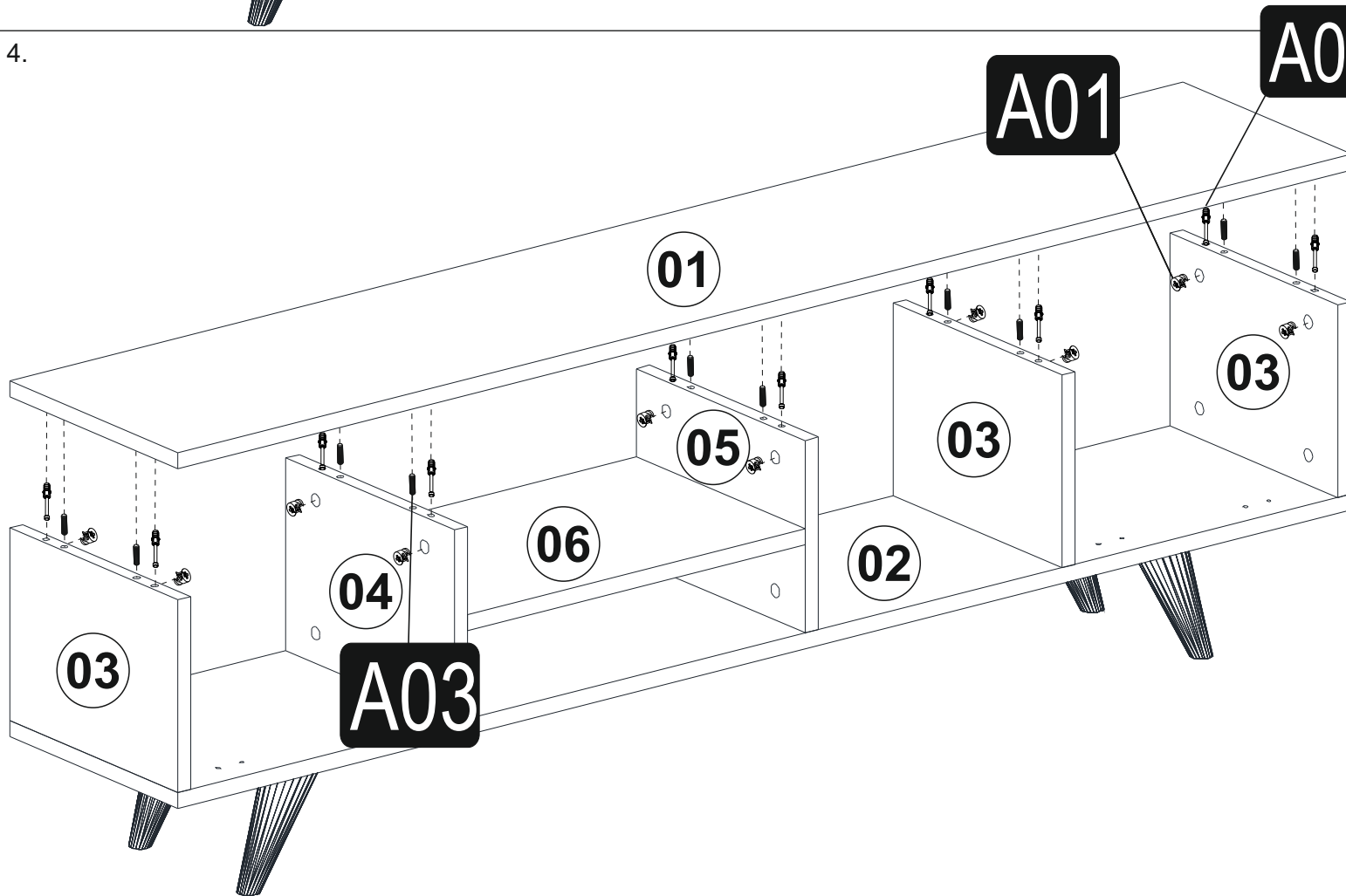


3.

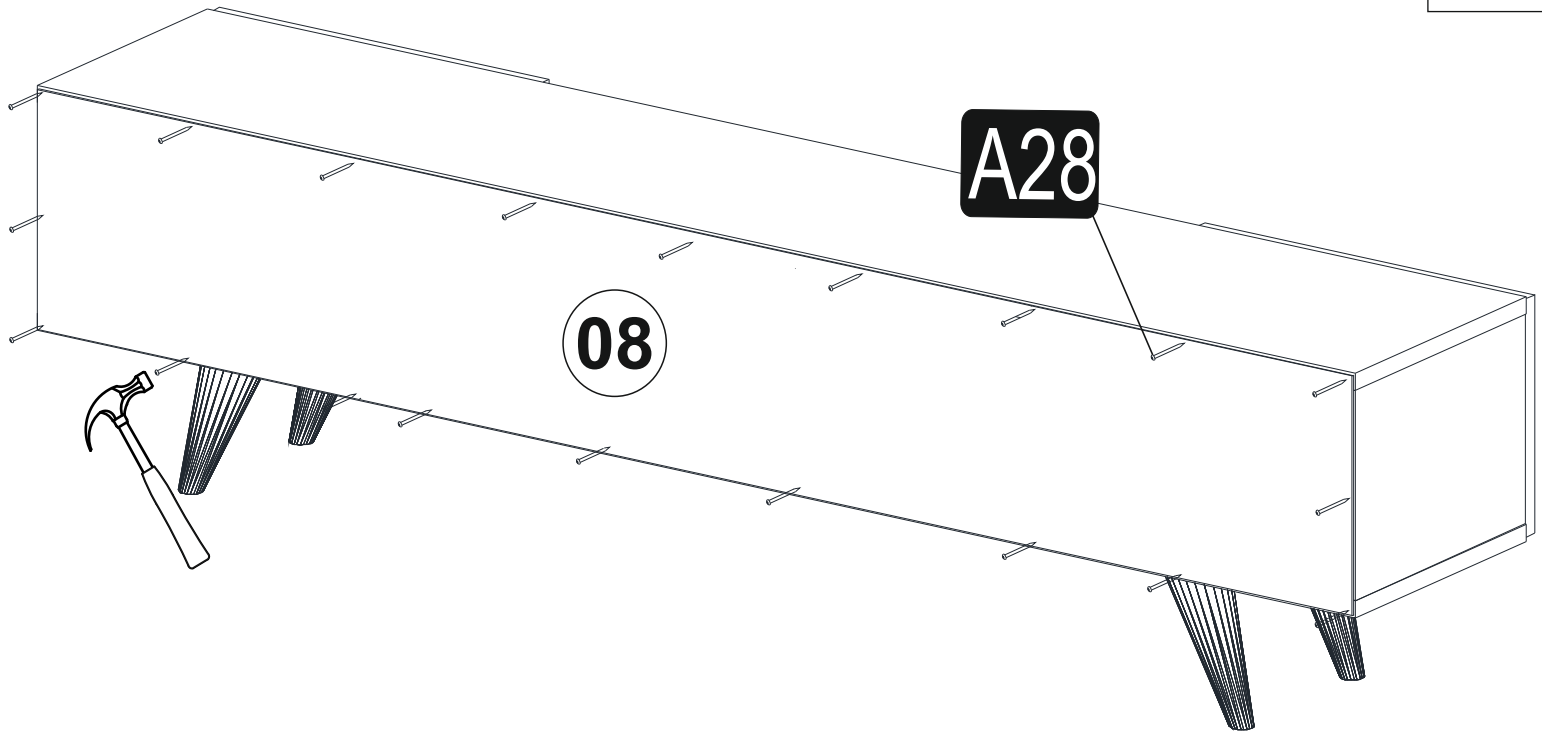
P 3



4.



5.



6.

