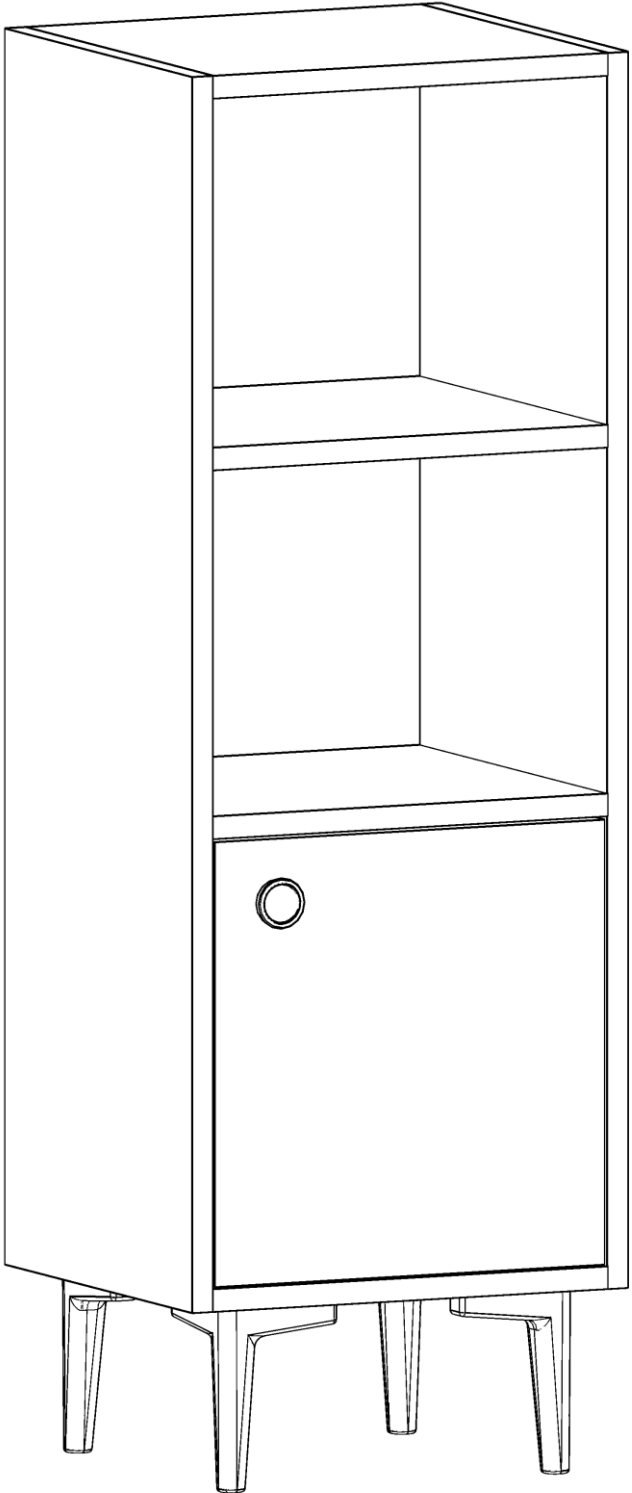


ALONE MULTI-PURPOSE CABINET

ALONE DOLAP

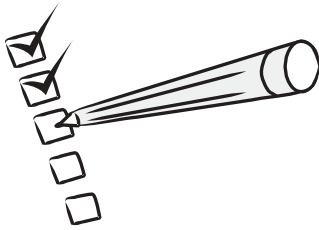
DLP-3008



Dear Customer,

We design and produce our products for people to love and have fun with them as we do.

The product you bought was subjected to all sorts of tests and control before sending out to you.



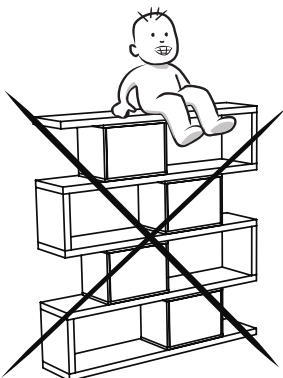
Before start assembling, please check the whole components and accessories according to the lists. If you bought more than one product, to prevent confusion be sure that you completed the first product. Then start the other product's assembling.



Before start assembling, please clean all the components with a damp cloth. Also for usual cleaning, this will be enough.



Although all the products are produced and packed carefully, sometimes happen that some component is damaged during the transportation. In such a case please check the missing or damaged part and do not hesitate to contact us. You can send e-mail to info@gmail.com or reach us at 0090 000 000 00 00

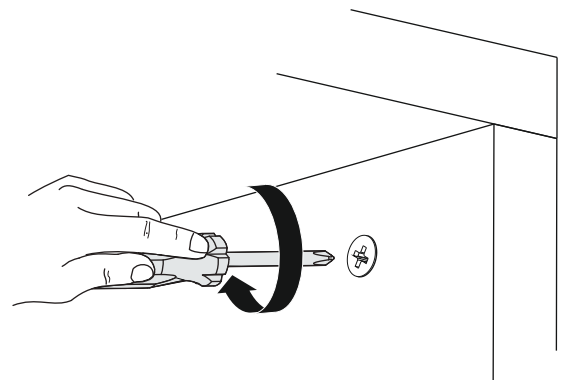
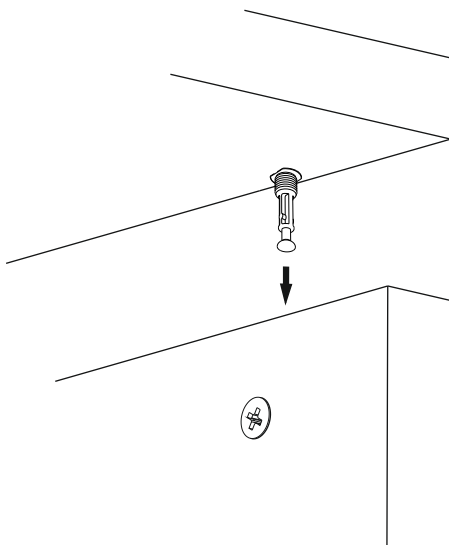
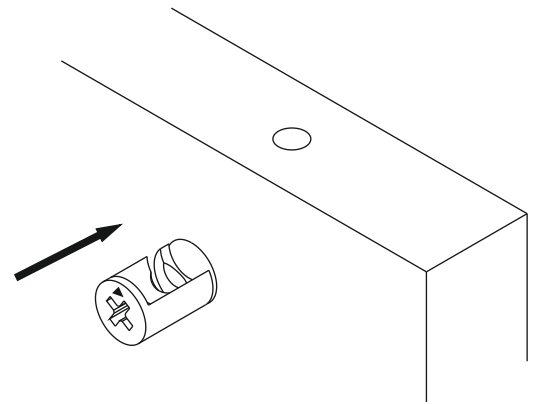
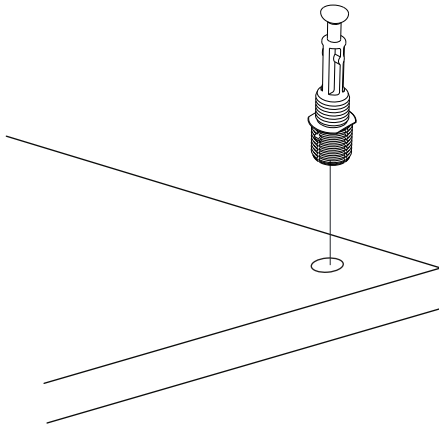
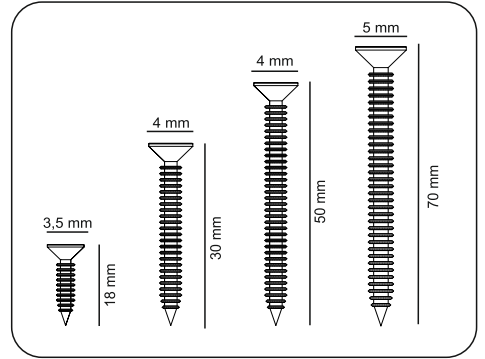
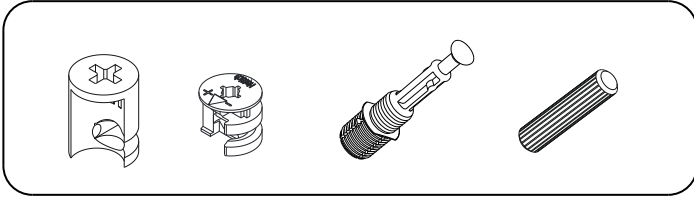


Do not use your furniture for out of purposes. If you would like to use it, please contact us for further questions.

Do not directly contact your furniture with excessive heat, cold and humidity because the product can be affected..

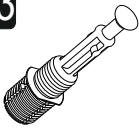

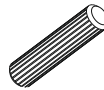
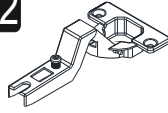
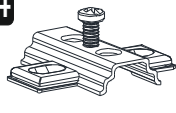

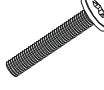

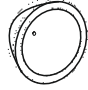

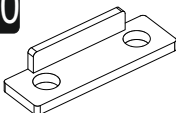
ATTENTION !!

Minifix is the main connection material used in products. Before starting assembly, please check the drawings below.

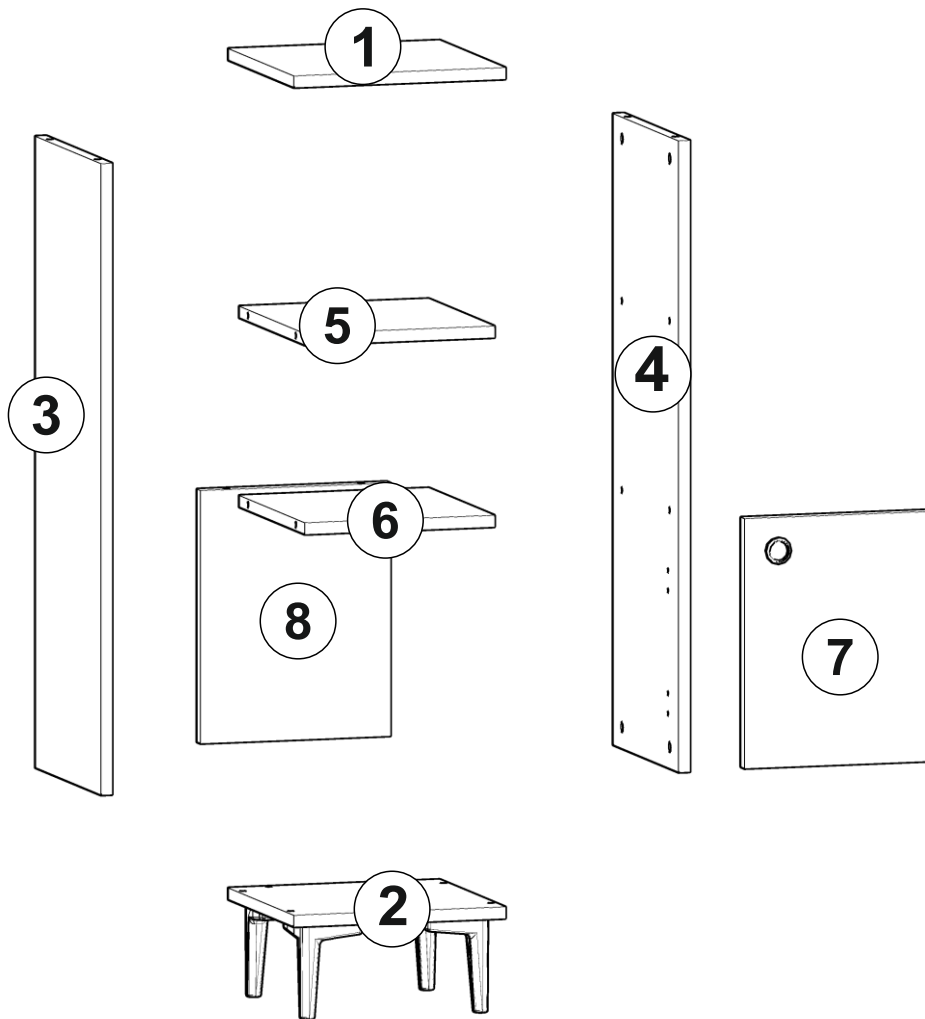


ACCESSORY LIST

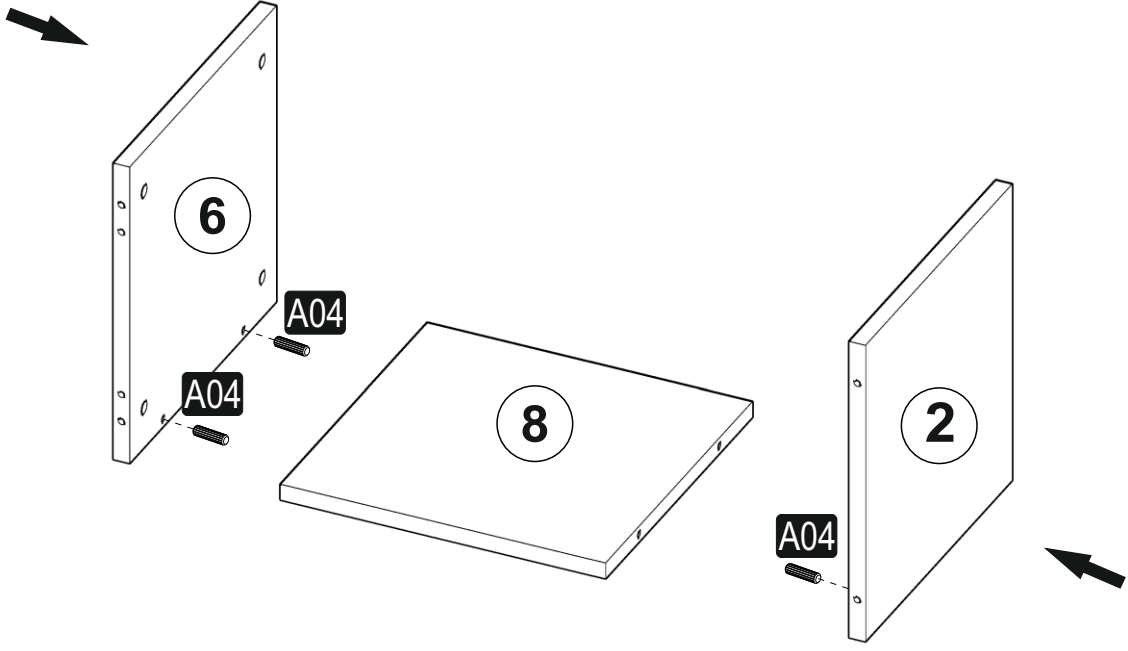
ALONE

| | | | | |
|---|---|--|---|--|
| A23 Minifix M8  8x34 12x | A22 Minifix G18  15x14 12x | A04 KVLVY  8x30 16x | C02 SDM  2x | C04 MA  2x |
| A18 3,5x18  26x | A49 KLPVD 20mm  1x | A51 SYH MİNA AYK  4x | A50 SİYAH MANTAR KULP  1x | A06 18 mm 2.RENK  12x |
| A60 KPK STPR BYZ  1x | 0x | 0x | 0x | 0x |

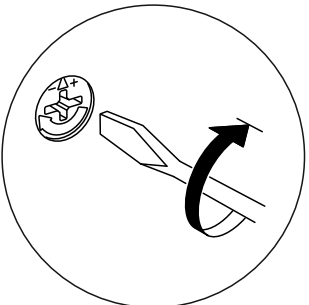
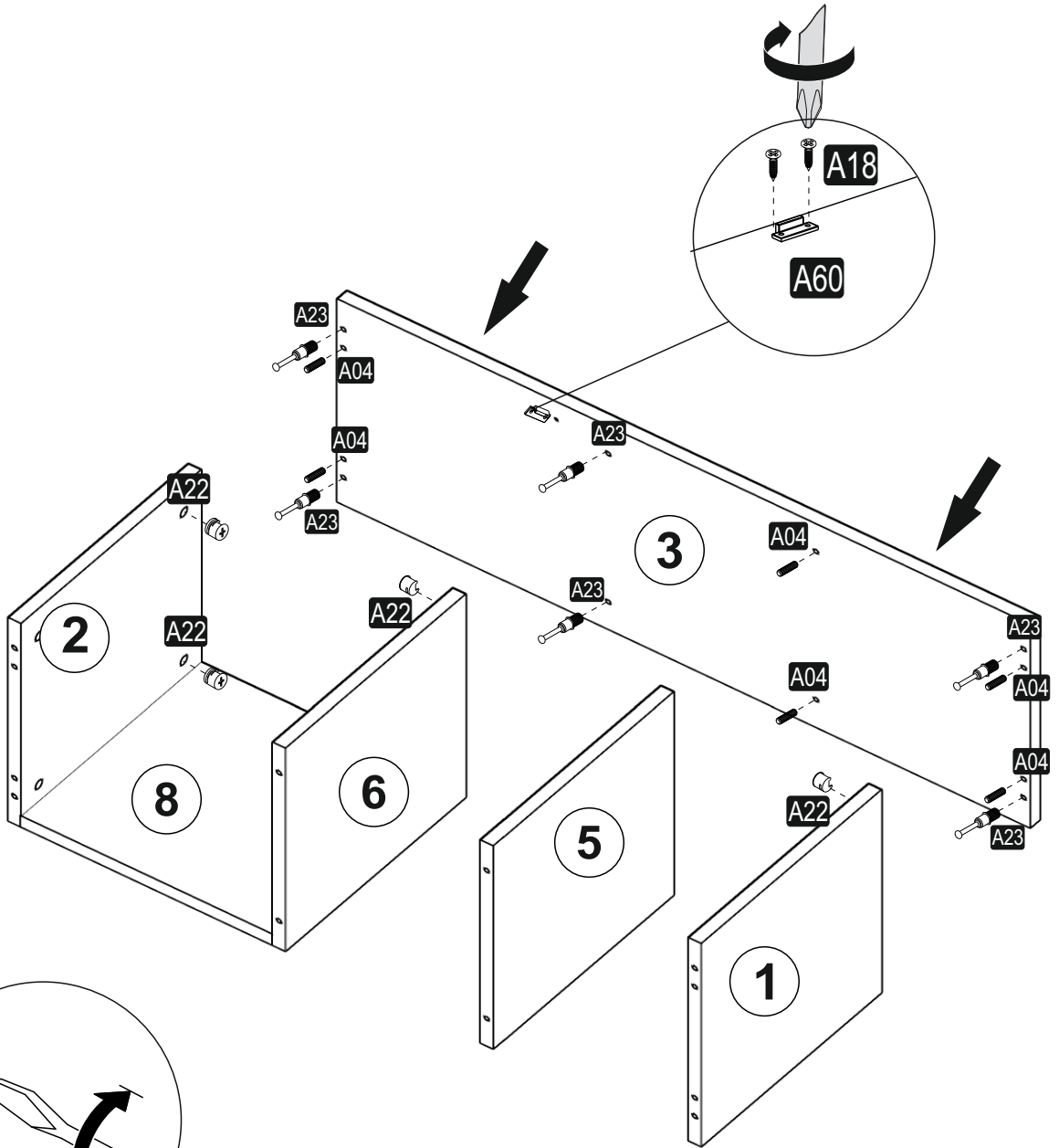
GENERAL VIEW



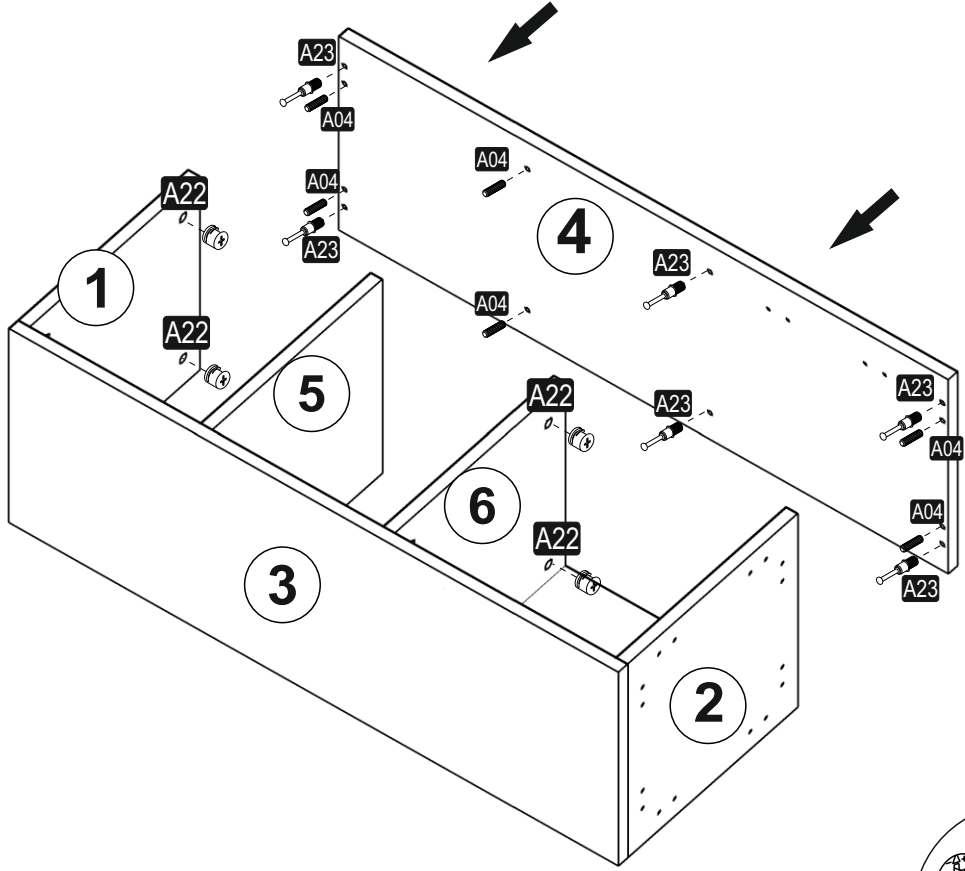
1



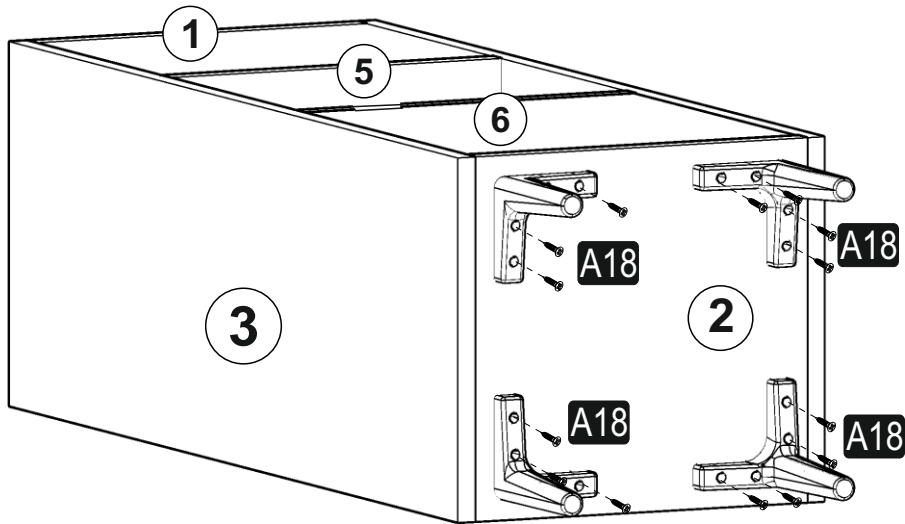
2

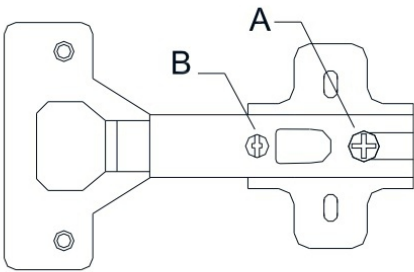
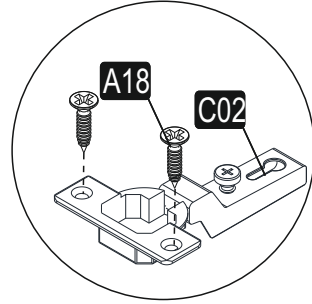
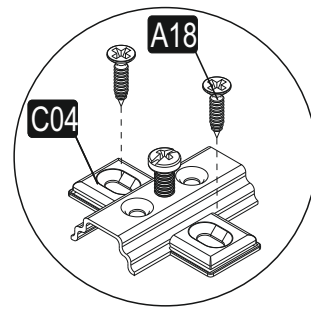
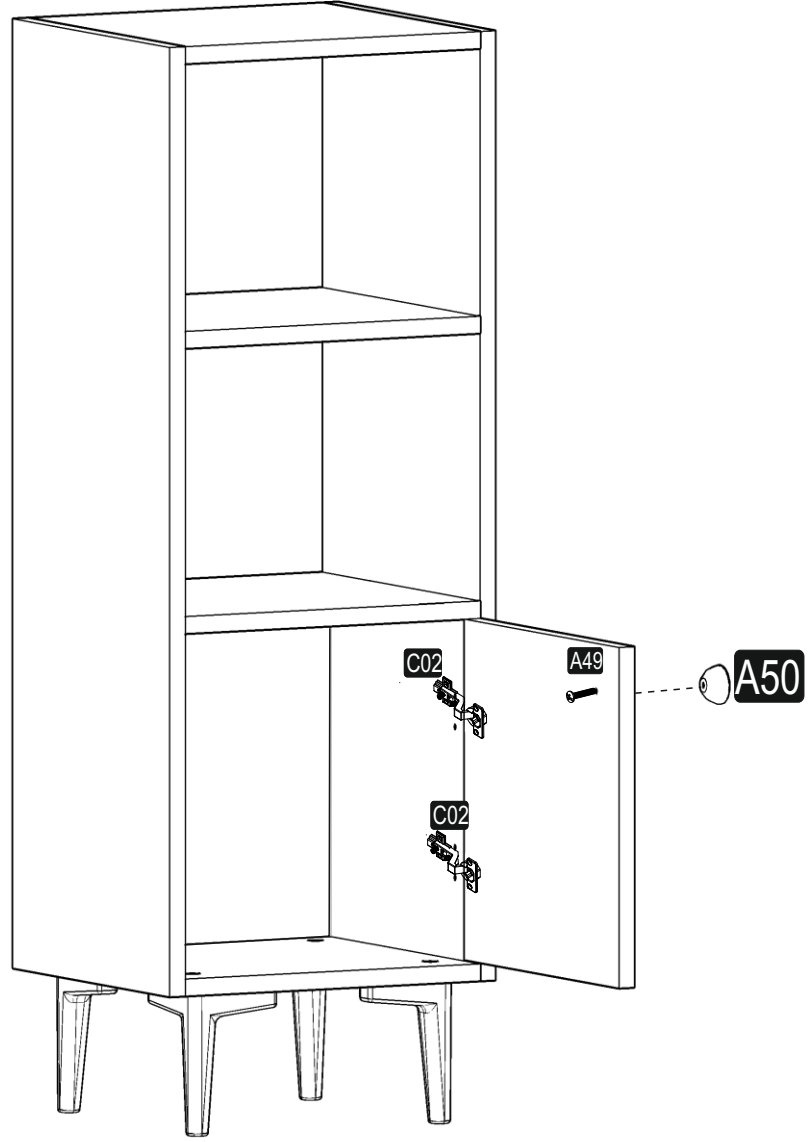


3

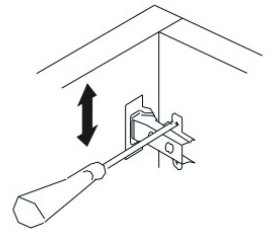
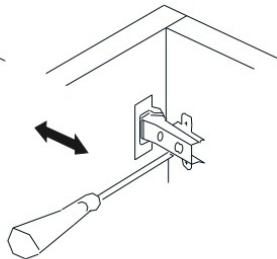
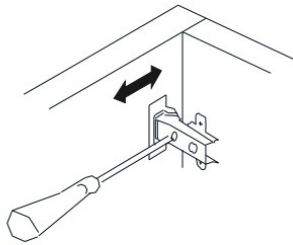


4





A= menteşe bağlama vidası / to connect the hinge to the door
B= kapak ayar vidası / to arrange the door



oklar kapağın ayarlama yönünü gösterir.
arrows to show the directions for arrangement of doors.

6

