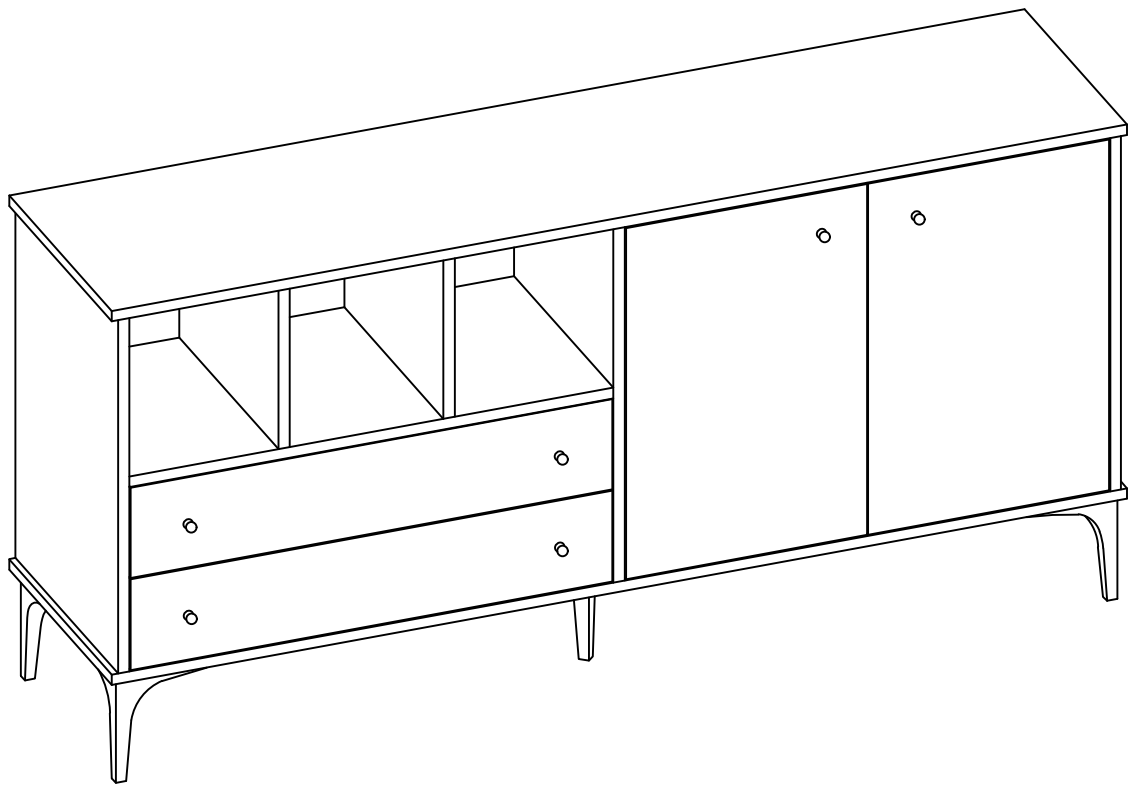
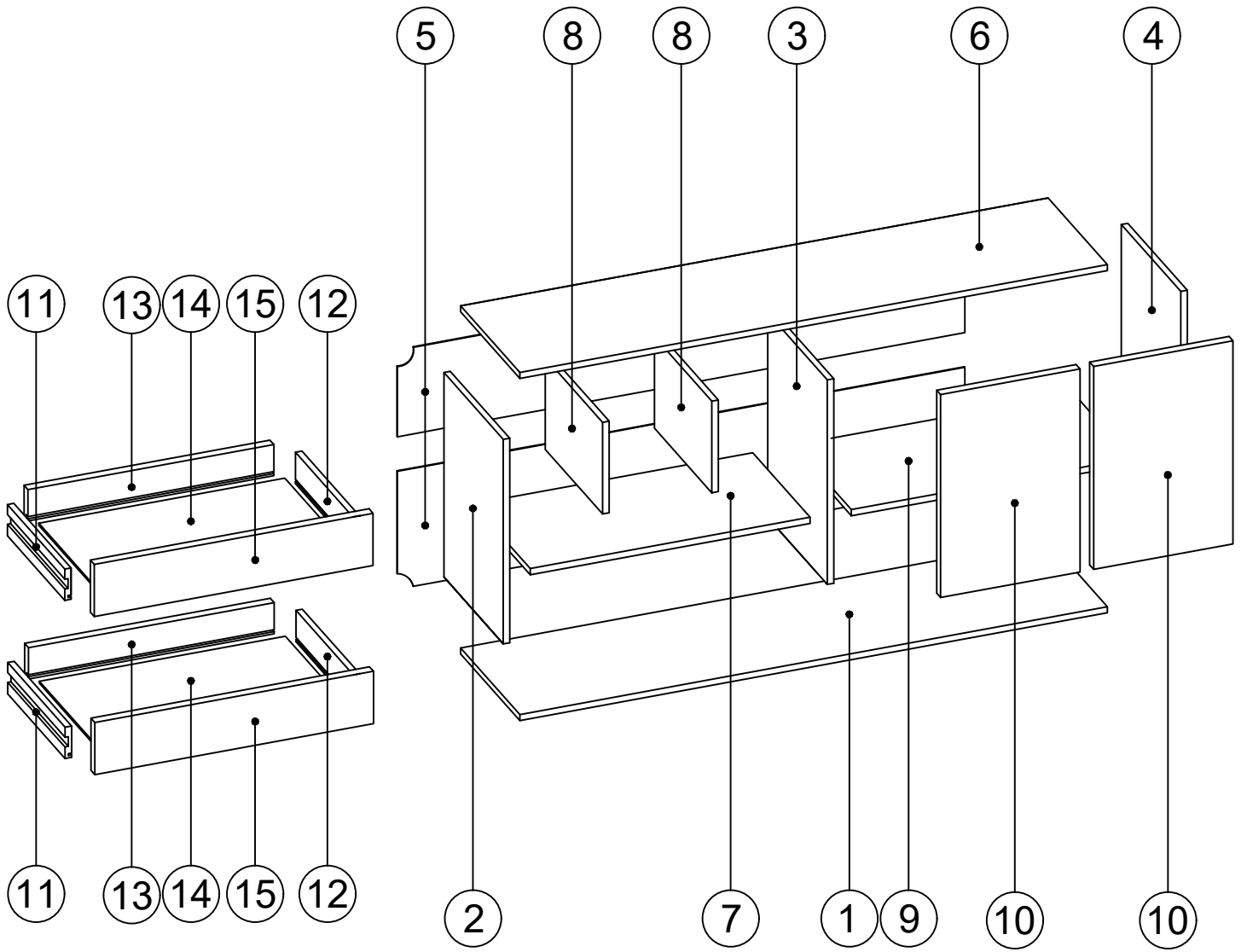


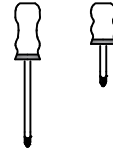
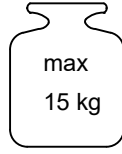
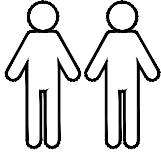
# SB-0898 ELEGAN

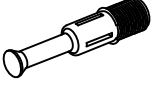



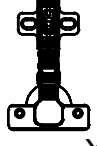
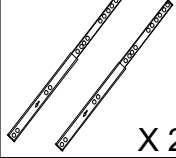

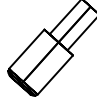
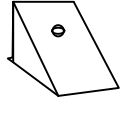


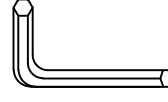

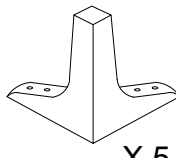


DECORMET



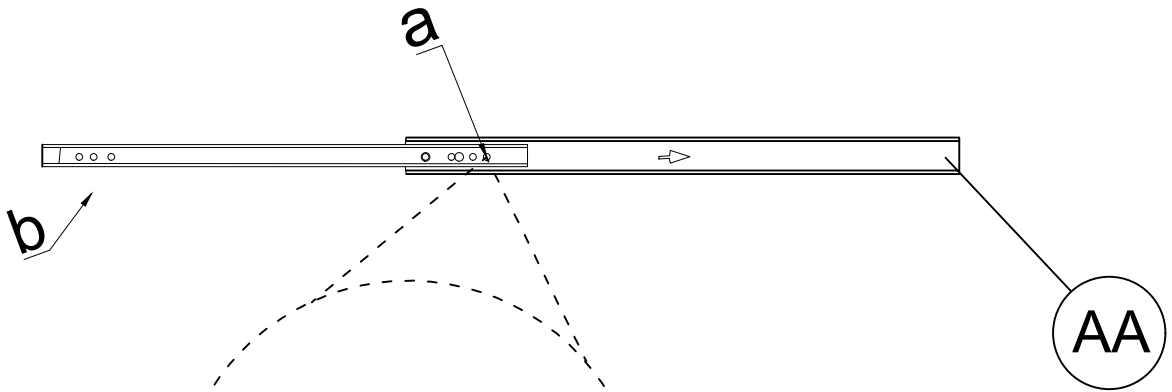
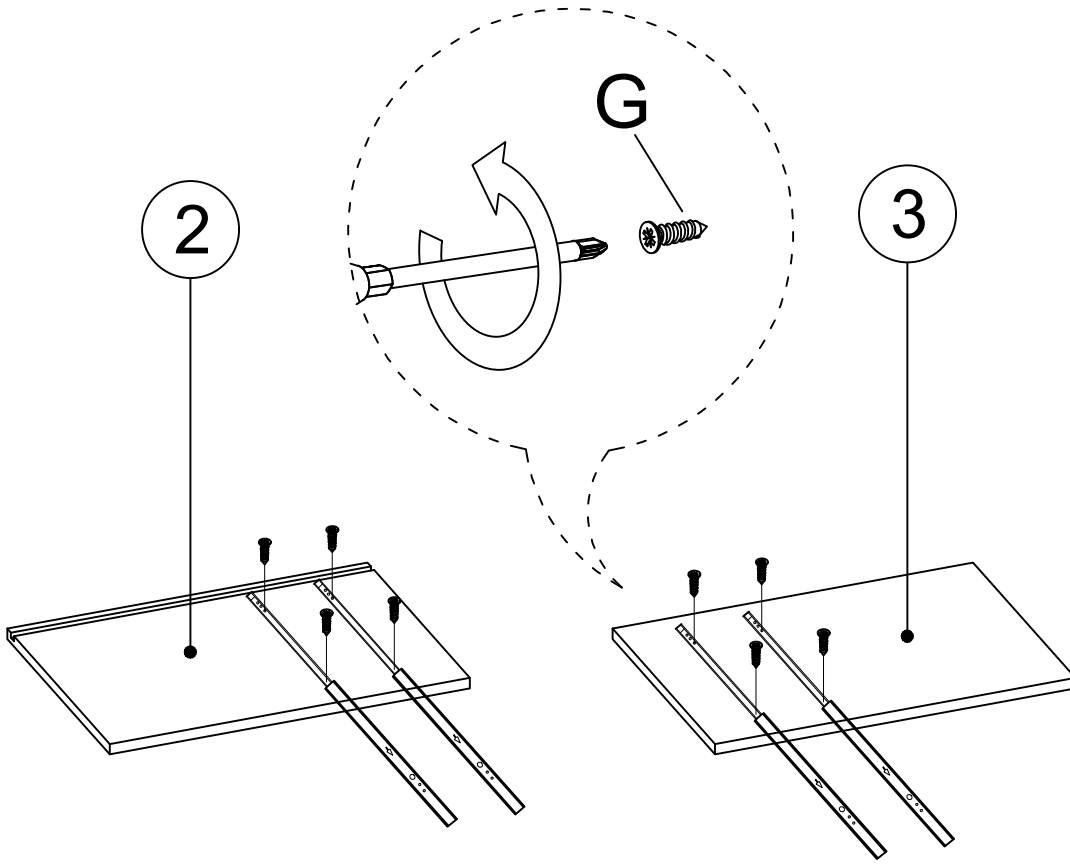
## MATERIALS



					
X22	X22	X22	X 22	X 4	X 2
A	B	C	D	U	Z
MINIFIX GIB	MINIFIX BODY	MIN.STOPPER	DOWEL	HINGE(Crank 16)	342MM DRAWER
					
X 40	X 4	X 8	X 20	X 6	X 1
G	AH	AJ	N	O	P
3,5 x 18 SCREW	SHELF BUTTON	PLASTIC JOINING	METRIC SCREW	HANDLE SCREW	ALLEN KEY
					
X 6	X 5				
R	BN				
HANDLE	170mm PVC LEG				

## SB-0898 ELEGAN

NO	NAME	PIECE	NO	İSİM	ADET
1	BOTTOM PART	1 PC	1	ALT TABLA	1 ADET
2	LEFT SIDE PART	1 PC	2	SOL YAN DİKME	1 ADET
3	MIDDLE PART	1 PC	3	ORTA DİKME	1 ADET
4	RIGHT SIDE PART	1 PC	4	SAĞ YAN DİKME	1 ADET
5	BACKREST 3mm	1 PC	5	ARKALIK 3mm	1 ADET
6	TOP PART	1 PC	6	ÜST TABLA	1 ADET
7	FIXED SHELF	1 PC	7	SABİT RAF	1 ADET
8	SHELF VERTICAL DIVIDER	2 PC	8	RAF DİKEY BÖLME	2 ADET
9	SHELF	1 PC	9	HAREKETLİ RAF	1 ADET
10	COVER PART	2 PC	10	KAPAK	2 ADET
11	DRAWER LEFT SIDE PART	2 PC	11	ÇEKMECE SOL YAN	2 ADET
12	DRAWER RIGHT SIDE PART	2 PC	12	ÇEKMECE SAĞ YAN	2 ADET
13	DRAWER BACK SIDE PART	2 PC	13	ÇEKMECE ARKA PARÇA	2 ADET
14	DRAWER BOTTOM PART	2 PC	14	ÇEKMECE TABAN	2 ADET
15	DRAWER COVER	2 PC	15	ÇEKMECE ÖNÜ	2 ADET



A bölümünü ilk delikten vidalayın.

screw in first hole  
in A side.

