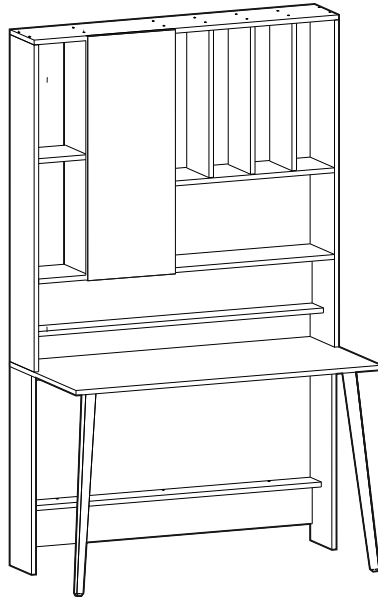


# WOOD

## Assembly Instruction





Valued Customer,

We design and carefully manufacture our products for our customers, We wish that our customers to have fun while they are doing their new furniture

The product you just purchased was subjected to all sorts of tests and controls before sending out to you.

Hope you enjoy your new furniture.

Değerli Müşterimiz,

Ürünlerimizi siz değerli müşterilerimiz için tasarlıyor ve özenle üretiyoruz. Müşterimizin yeni ürünlerini kurarken eğlenmesini istiyoruz.

Size kargolamadan önce, satın almış olduğunuz ürünün tüm kontrolleri yapıyoruz.

Yeni ürününüz evinize çok yakışacak.



Before starting, please check all components and accessories according to the provided list. If you purchased more than one product, to prevent confusion, be sure that you completed the first product, then start the next one. Please make sure that you select correct numbered part and use specific connector to assemble. We do not recommend any modification or rotation in assembly. Please follow the manual carefully.

Kuruluma başlamadan önce, lütfen tüm aksesuarları elinizdeki kurulum talimatına göre kontrol ediniz. Eğer birden fazla ürün satın aldıysanız, karışıklığı önlemek için lütfen ürünleri ayrı kurunuz. Bir ürünü kurmadan önce diğer ürüne başlamayınız. Ürünü kurarken kurulum talimatına göre hareket ediniz. Ürünüze ekleme yapmanızı tavsiye etmiyoruz.



Furniture parts are going to several manufacturing procedures. During this process, parts can have little dust or marks. Please clean the parts with damp cloth before assembly to get the best result. Usual cleaning would be suffice.

Ürününüz üretilirken pek çok aşamadan geçiyor. Bu süreç boyunca üzerinde toz ve bazı işaretler olabilir. Tozları temiz ve nemli bir bez ile silebilirsiniz. İşaretleri ise tiner yardımıyla çıkarabilirsiniz.



Although all products are carefully manufactured and packed, sometimes we experience damage during transportation. In such cases, please check the damaged part, note the part number written on the part and do not hesitate to contact us

Ürünlerimiz özenle üretilmesine ve dikkatle paketlenmesine rağmen, bazen taşıma esnasında hasar meydana gelebilir. Böyle durumlarda hasar gören parçayı kurulum talimatı yardımıyla tespit ederek bizden isteyebilirsiniz. Bir sorunla karşılaştığınızda bizimle iletişime geçmekten çekinmeyiniz.

Do not use your furniture for out of purposes. If you would like to use it out of purpose or would like to do some modification or rotation, please contact us for more details.

Lütfen ürününüzü kullanım amacı dışında kullanmayınız. Böyle durumlarda üretici firma hiçbir sorumluluk kabul etmemektedir.

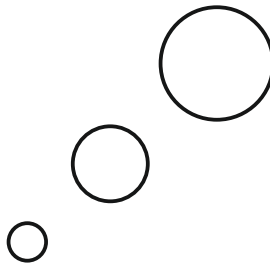
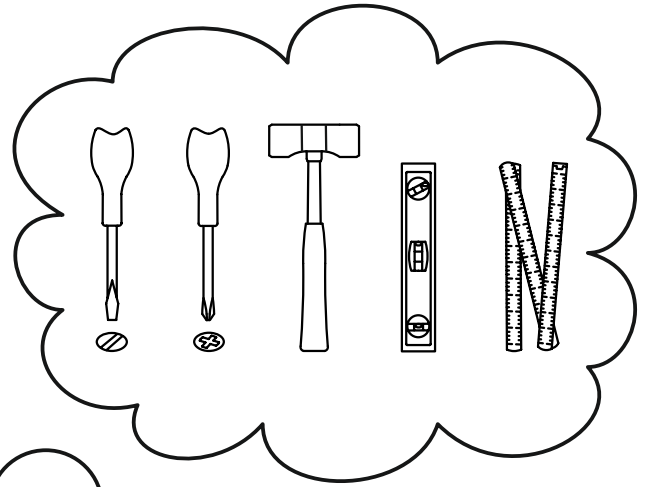
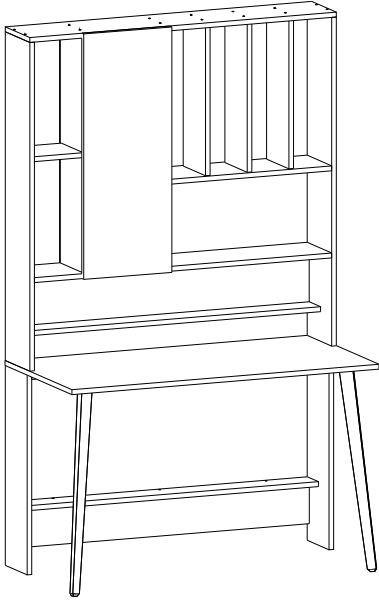
Please do not expose your furniture with excessive heat, cold and humidity because product can be affected negatively.

Ürünü uzun yıllar boyunca kullanmak istiyorsanız, aşırı ısıya, soğuğa ve neme maruz bırakmayınız.

If you need your product to mount on the wall, Please use suitable rawlplug for your wall type. We send you rawlplugs suitable for concrete and brick walls.

Eğer ürününüzü duvara monte etmeniz gerekiyorsa, Gönderilen dübel beton duvarlara uygundur. Lütfen duvar tipinize uygun dübel temin ediniz.

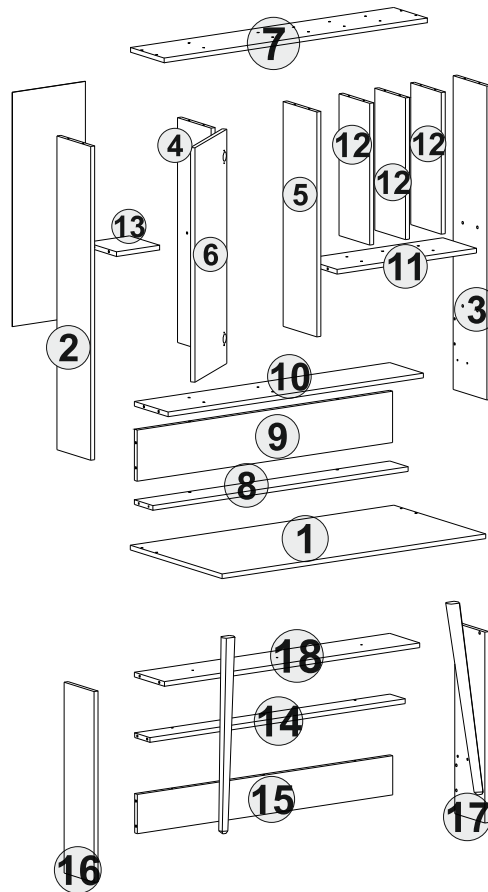


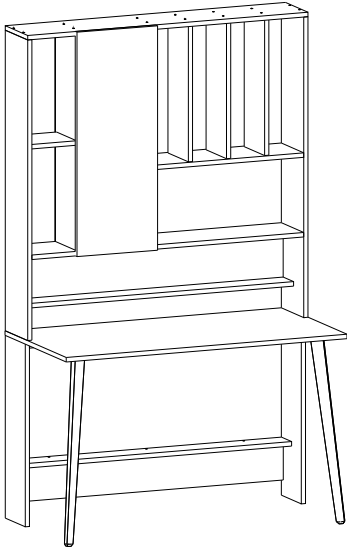


**WOOD**

**Disassembled Parts**

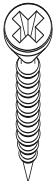
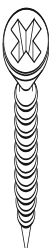



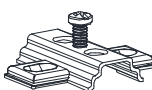

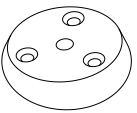


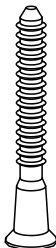


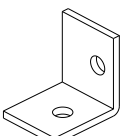
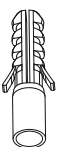
Part#1	1x
Part#2	1x
Part#3	1x
Part#4	1x
Part#5	1x
Part#6	1x
Part#7	1x
Part#8	1x
Part#9	1x
Part#10	1x
Part#11	1x
Part#12	3x
Part#13	1x
Part#14	1x
Part#15	1x
Part#16	1x
Part#17	1x
Part#18	1x
<b>Total</b>	<b>20x</b>





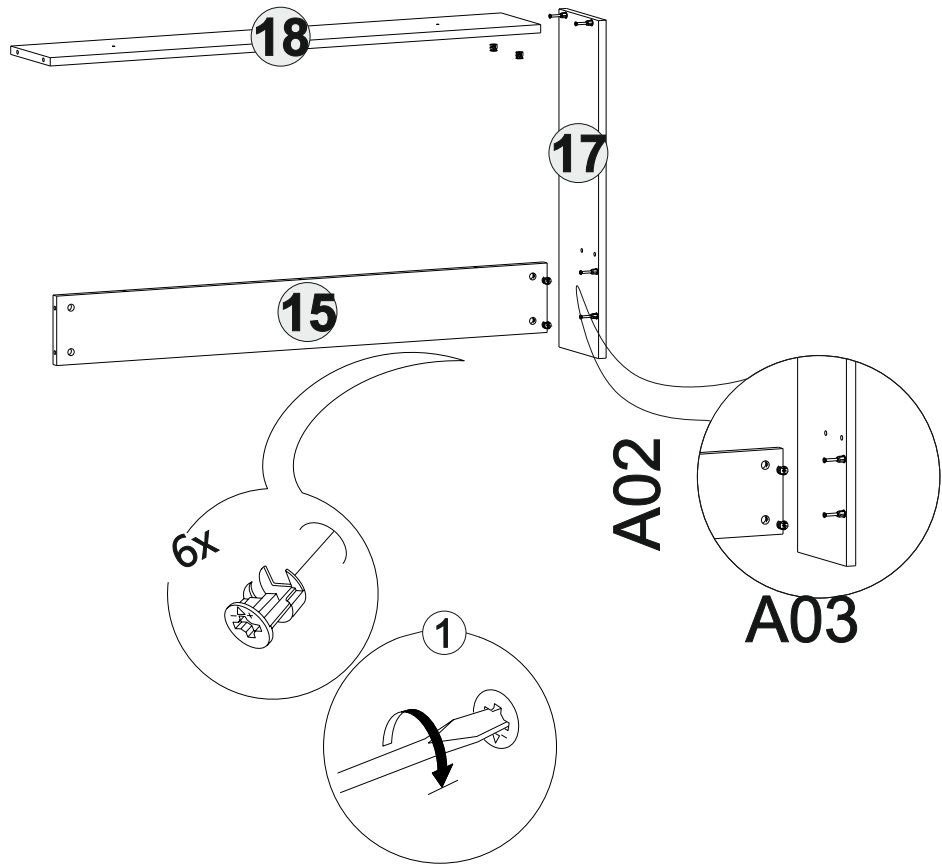
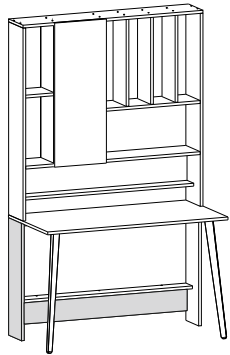
# WOOD

## Tools & Installation Components

- |   |                       |   |                        |   |                  |   |                |   |                         |   |                               |   |                      |   |                |
|---|-----------------------|---|------------------------|---|------------------|---|----------------|---|-------------------------|---|-------------------------------|---|----------------------|---|----------------|
|   | A21 3,5x25 screw      |  | A22 3,5x30 SNT VDASI   |  | A19 3,5x18 screw |  | A23 4x50 screw |  | C1 concealed hinge base |   | C4 aks37 hinge mounting plate |  | Q12 sticker          |  | A29 leg socket |
| 6x  |                       | 6x  |                        | 9x  |                  | 1x  |                | 2x  |                         | 2x  |                               | 3x  |                      | 2x  |                |
|  | A03 Q10 minifix screw |  | A02 15x14 minifix head |  | A17 6x50 screw   |  | K20 Dowe Q8x30 |  | A28 nail                |  | L01 L-Bracket                 |  | D1 rawlplug 4x40 byZ |   |                |
| 20x   |                       | 20x   |                        | 31x   |                  | 16x   |                | 10x   |                         | 1x  |                               | 1x  |                      |   |                |

# 1

1. Place the A03 minifix screws into the pre-drilled holes of the part 17 as shown below.
2. Insert A02 minifix heads into the pre-drilled holes of the part 18 and 15. NOTE that the minifix head arrow should the direction of upper hole.
3. Put the parts together and screw the minifix heads to +or clockwise direction it until is locked. Do not go any further.

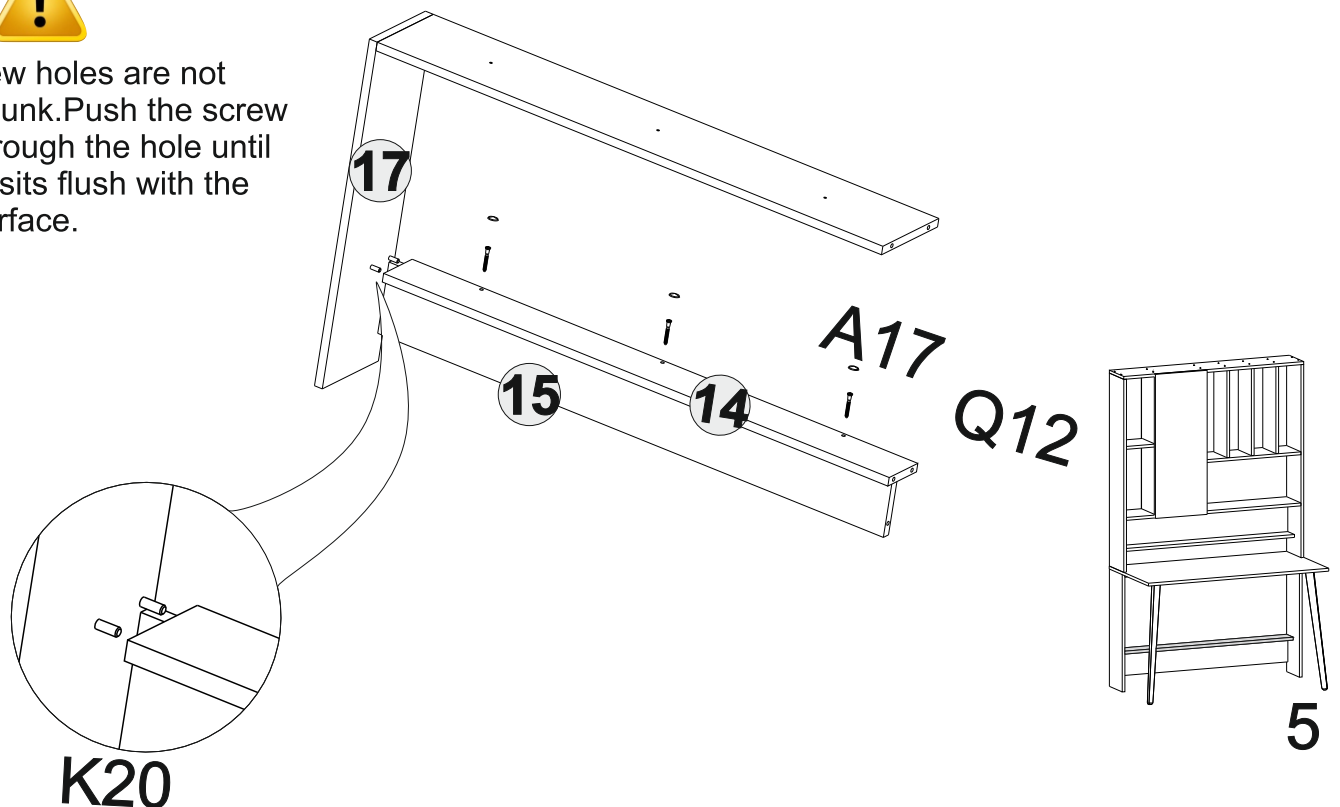


# 2

1. Insert the dowel K20 into the pre-drilled holes of the part 14 and attach it to the part 17.
2. Attach the part 14 to the assembled part 15 using A17 screws as shown below.
3. Cover the A17 screw heads with Q12 stickers for a better look of your furniture.

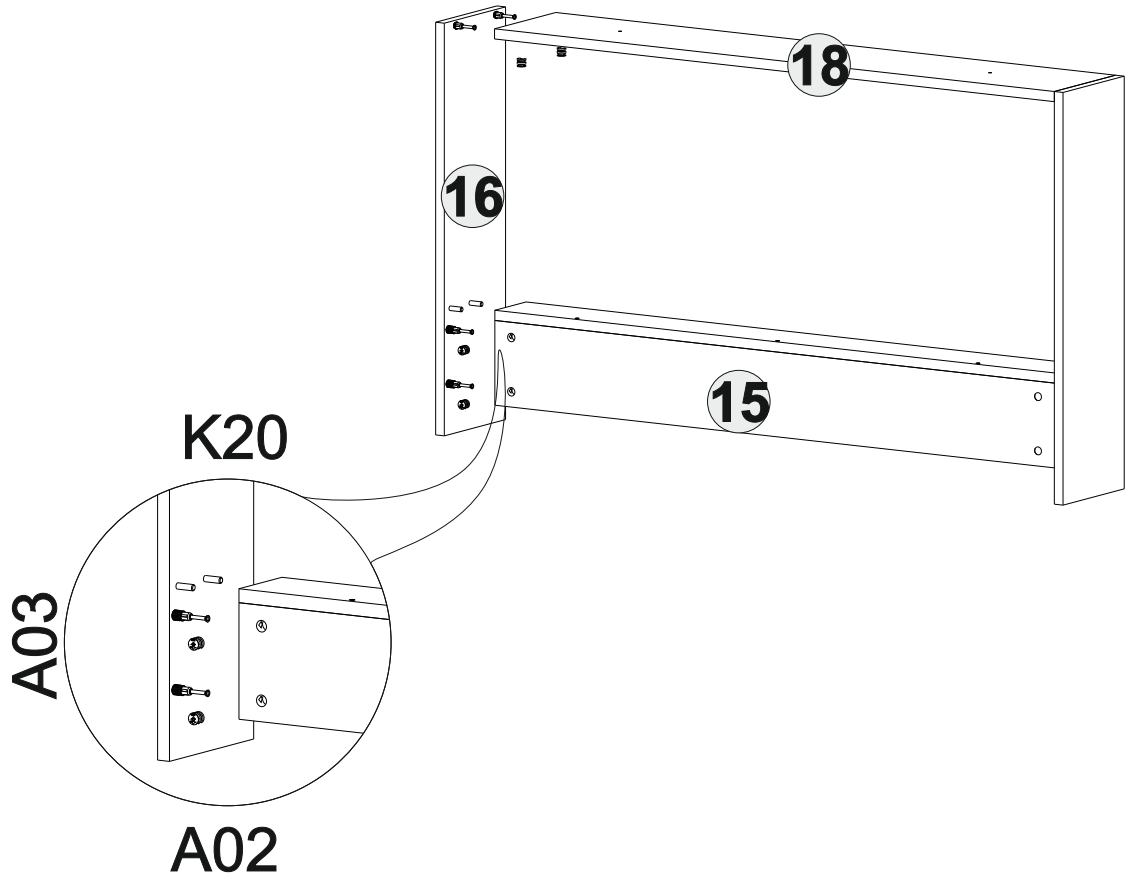
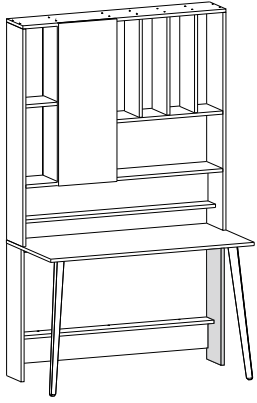


The screw holes are not countersunk. Push the screw (A17) through the hole until its head sits flush with the wood surface.



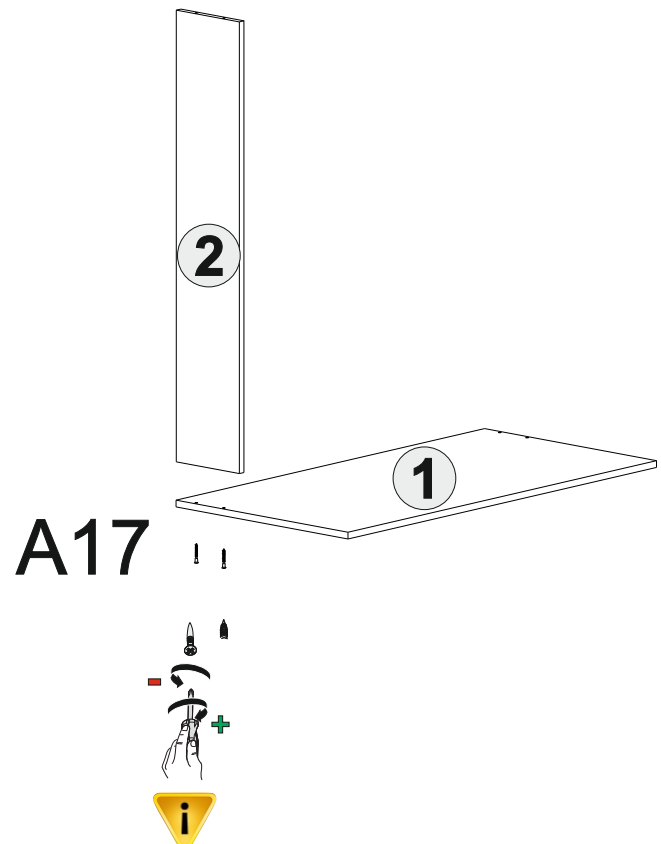
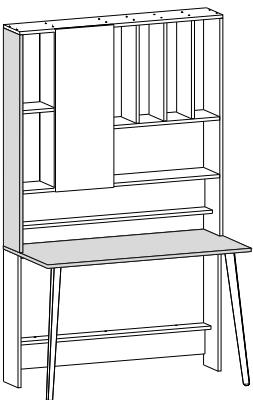
# 3

1. Place the A03 minifix screws and K20 dowel into pre-drilled holes of the part 16 as shown below.
2. Insert A02 minifix heads into the pre-drilled holes of the part 15 and 18. NOTE that the minifix head arrow should show the direction of upper hole.
3. Put the parts together and screw the minifix heads to + or clockwise direction until it is locked. Do not go any further.



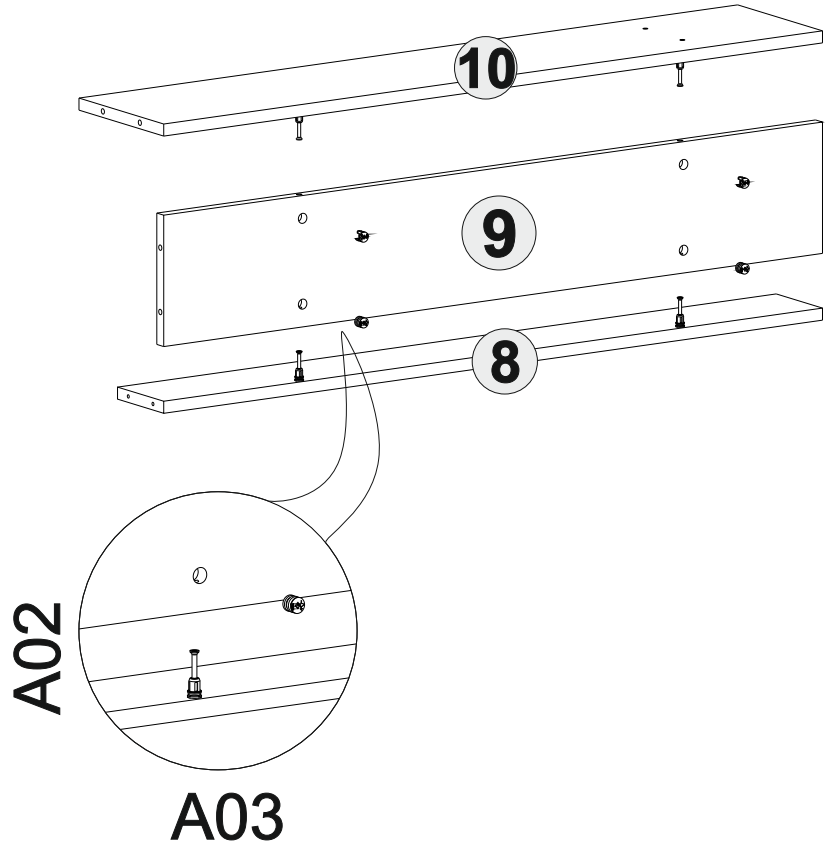
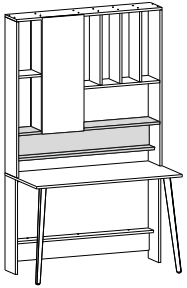
# 4

Attach the part 2 to the part 1 using A17 screws as shown below.



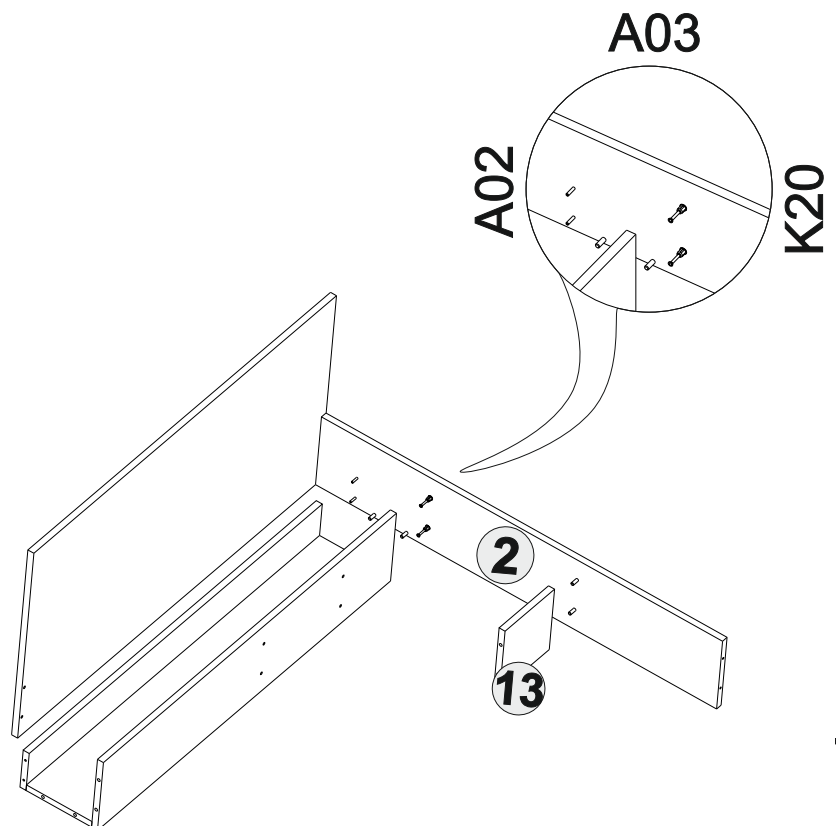
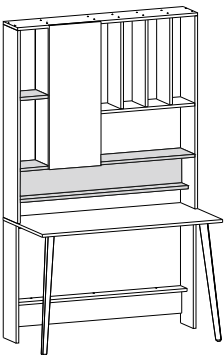
# 5

1. Place the A03 minifix screws into the pre-drilled holes of the part 10 and 8 as shown below.
2. Insert A02 minifix heads into the pre-drilled holes of the part 9. NOTE that the minifix head arrow should show the direction of upper hole.
3. Put the parts together and screw the minifix heads to +or clockwise direction until it is locked. Do not go any further.

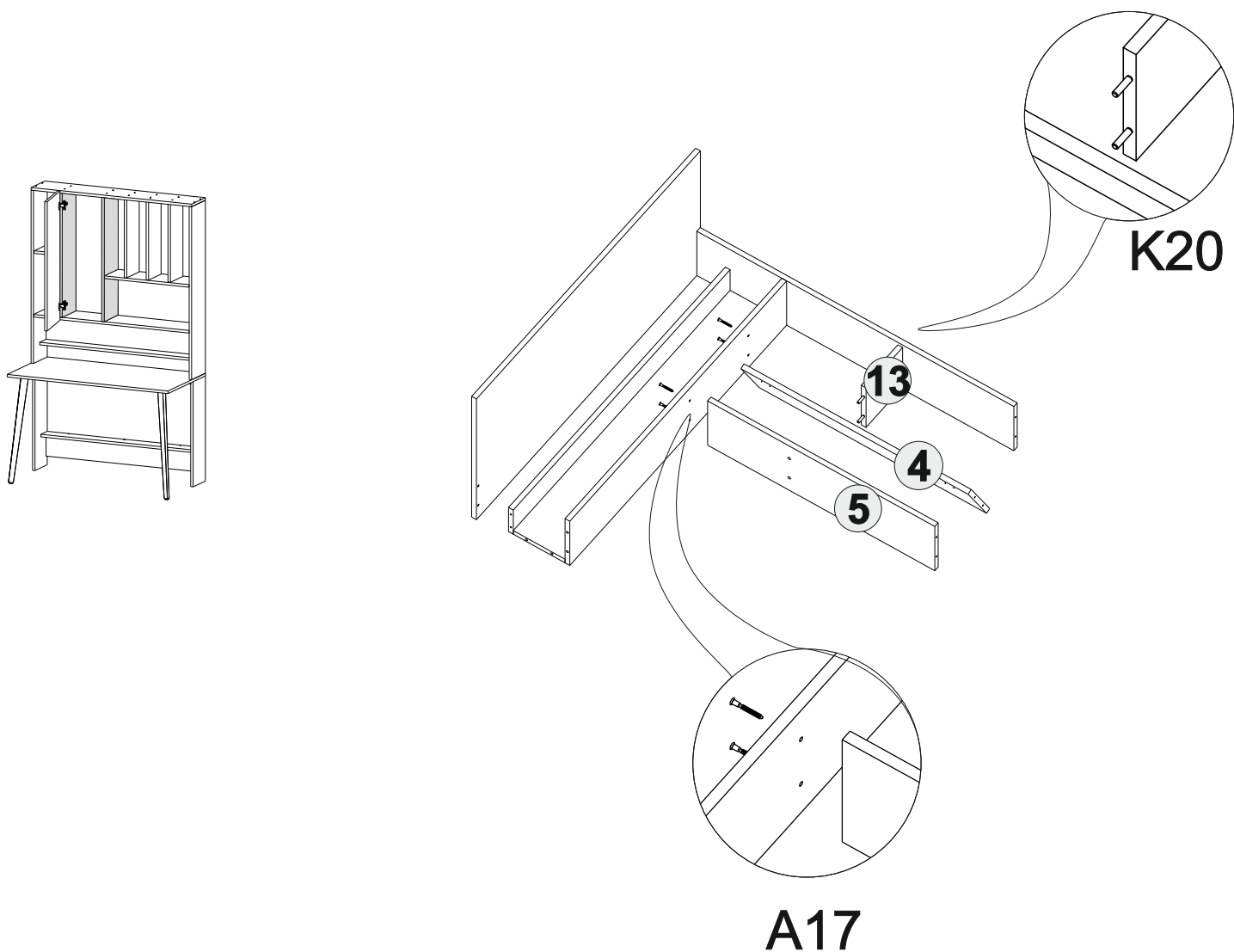


# 6

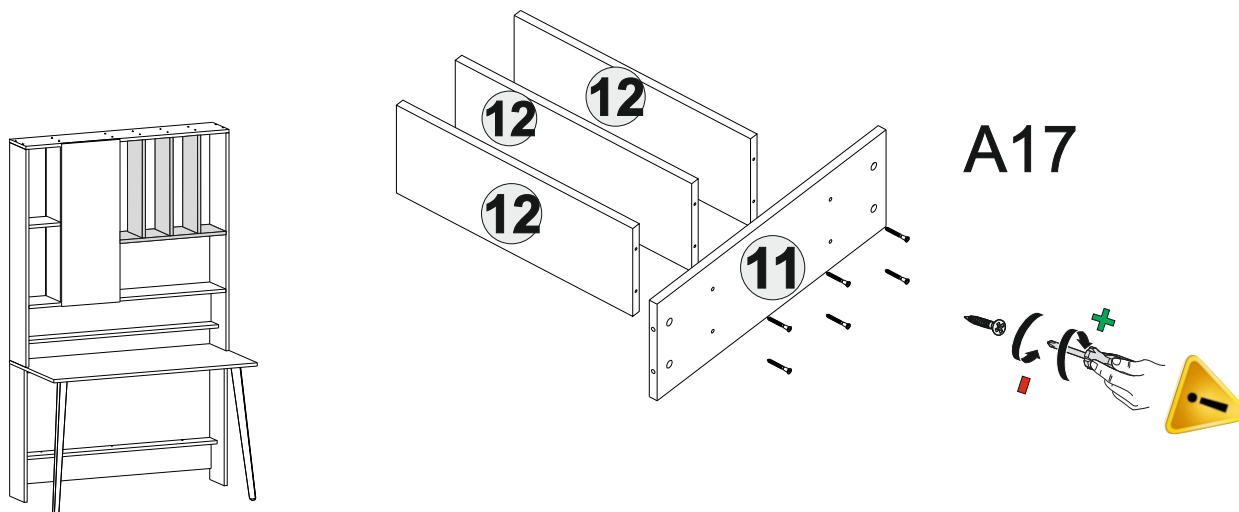
1. Place the A03 minifix screws and K20 dowels into the pre-drilled holes of the part 2 as shown below.
2. Insert A02 minifix heads into the pre-drilled holes of the part 10.
- NOTE that the minifix head arrow should show the direction of upper hole.
3. Put the parts together and screw the minifix heads to +or clockwise direction until it is locked. Do not go any further.



- 7** 1. Place the K20 dowels into the pre-drilled holes of the part 13 you have attached as shown below.  
2. Attach the part 4 to the part 13 and the previously assembled parts using A17 screws.  
3. Attach the part 5 to the previously assembled parts using A17 screws as shown below.



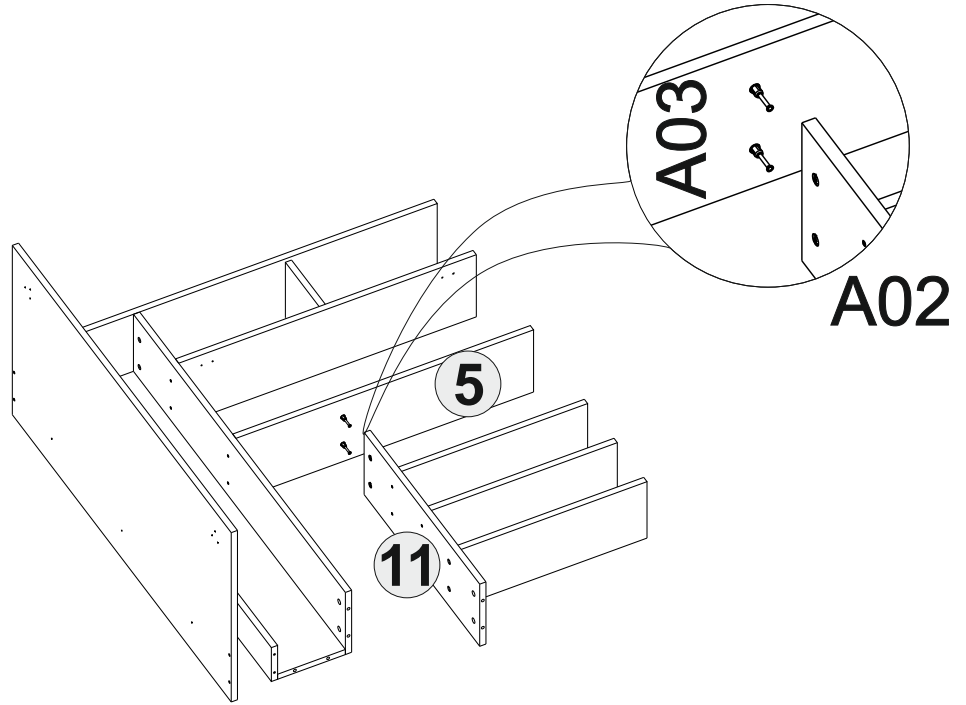
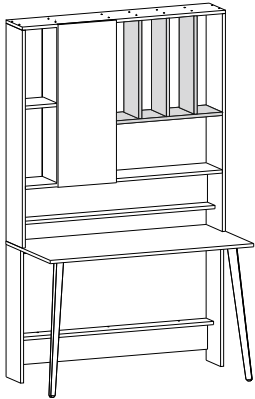
- 8** Attach the parts 12 to the part 11 using A17 screws as shown below.





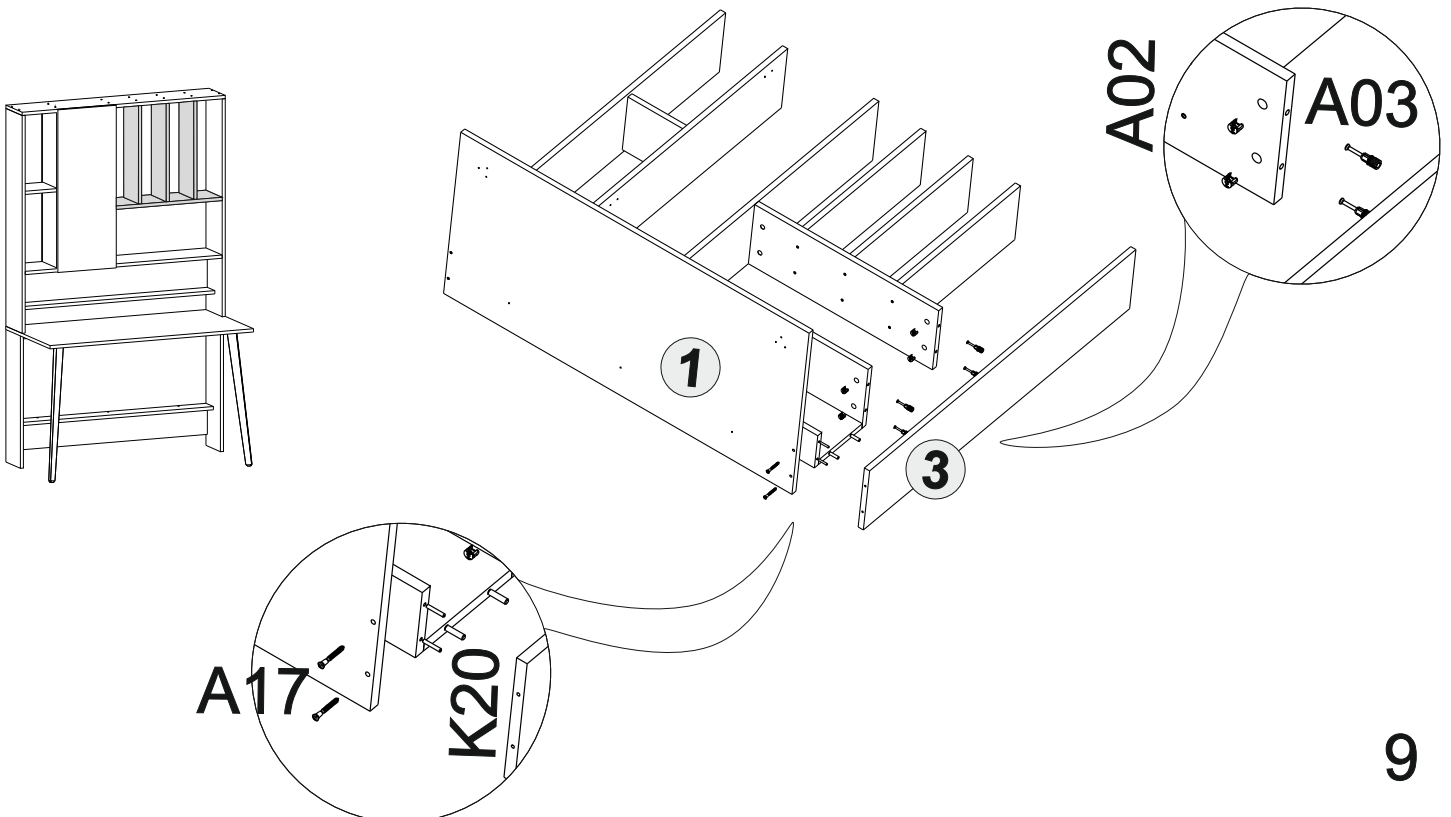
# 9

1. Place the A03 minifix screws into the pre-drilled holes of the part 5 you have installed.
2. Insert A02 minifix heads into the pre-drilled holes of the part 11. NOTE that the minifix head arrow should show the direction of upper hole.
3. Put the parts together and screw the minifix heads to +or clockwise direction until it is locked. Do not go any further.



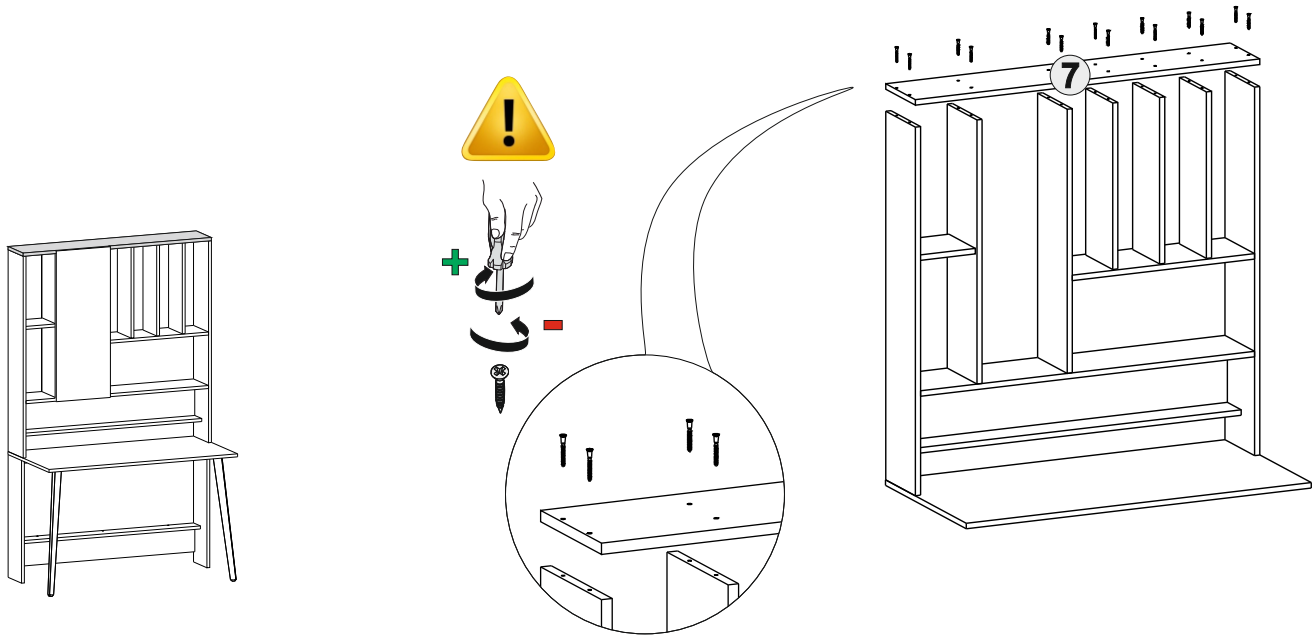
# 10

1. Place the A03 minifix screws into the pre-drilled holes of the part 3 as shown below.
2. Insert A02 minifix heads and K20 dowels into the pre-drilled holes of the assembled parts. NOTE that the minifix head arrow should show the direction of upper hole.
3. Put the parts together and screw the minifix heads to +or clockwise direction until it is locked. Do not go any further.
4. Screw A17 screws into the holes that connects the part 1 and 3 as shown below.



# 11

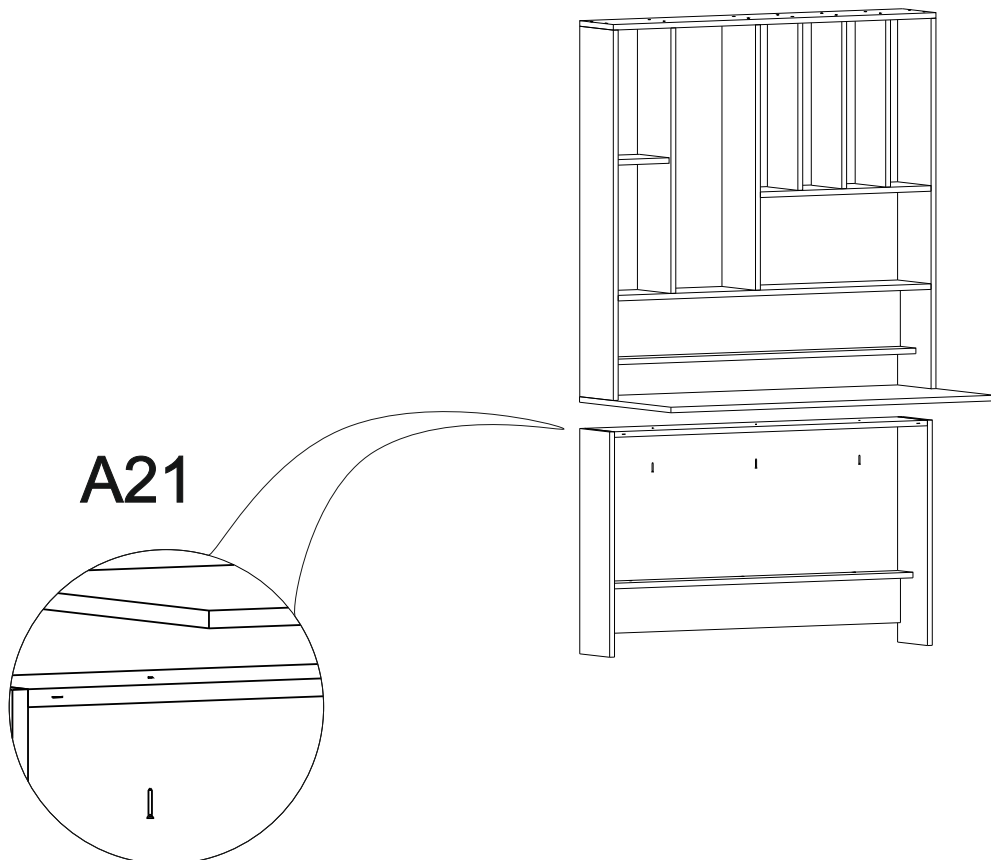
Attach the part 7 to the parts that you have assembled using A17 screws as shown below.



A17

# 12

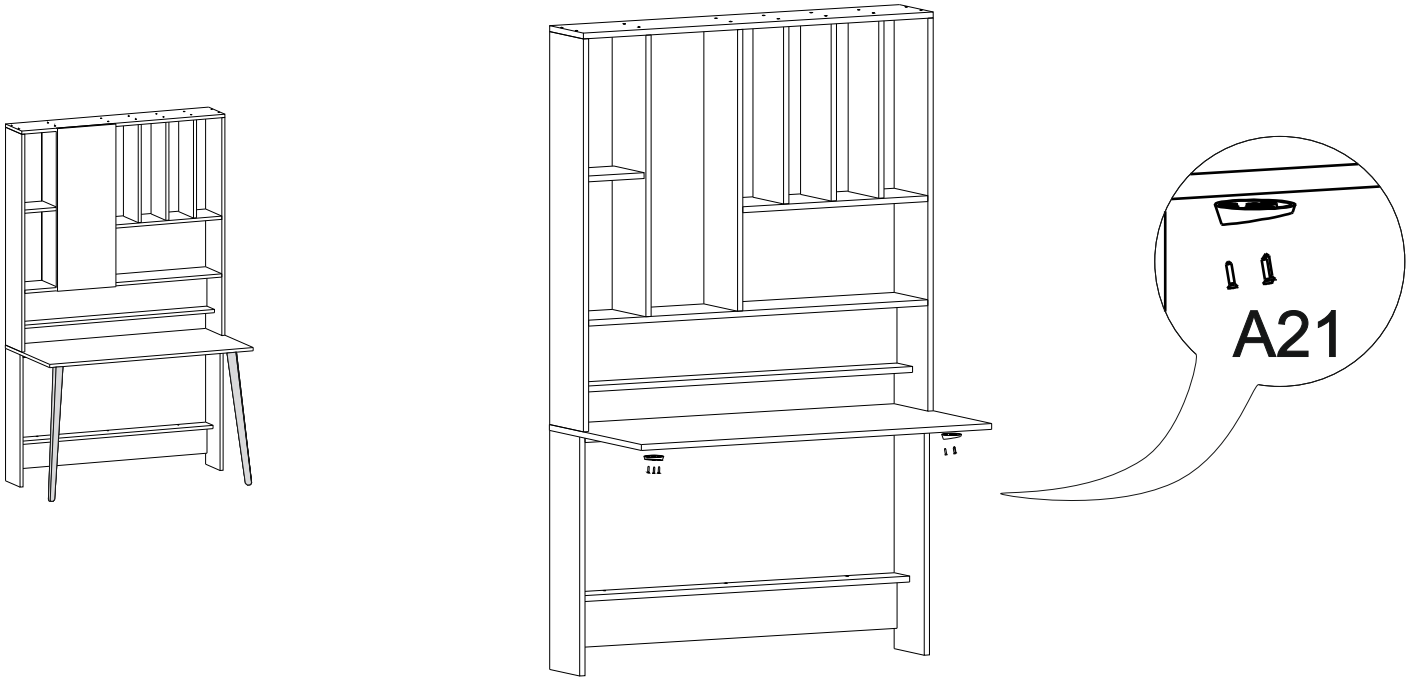
Attach the parts that you assembled in the step 3 to the parts that you have assembled using A21 screws as shown below.



A21

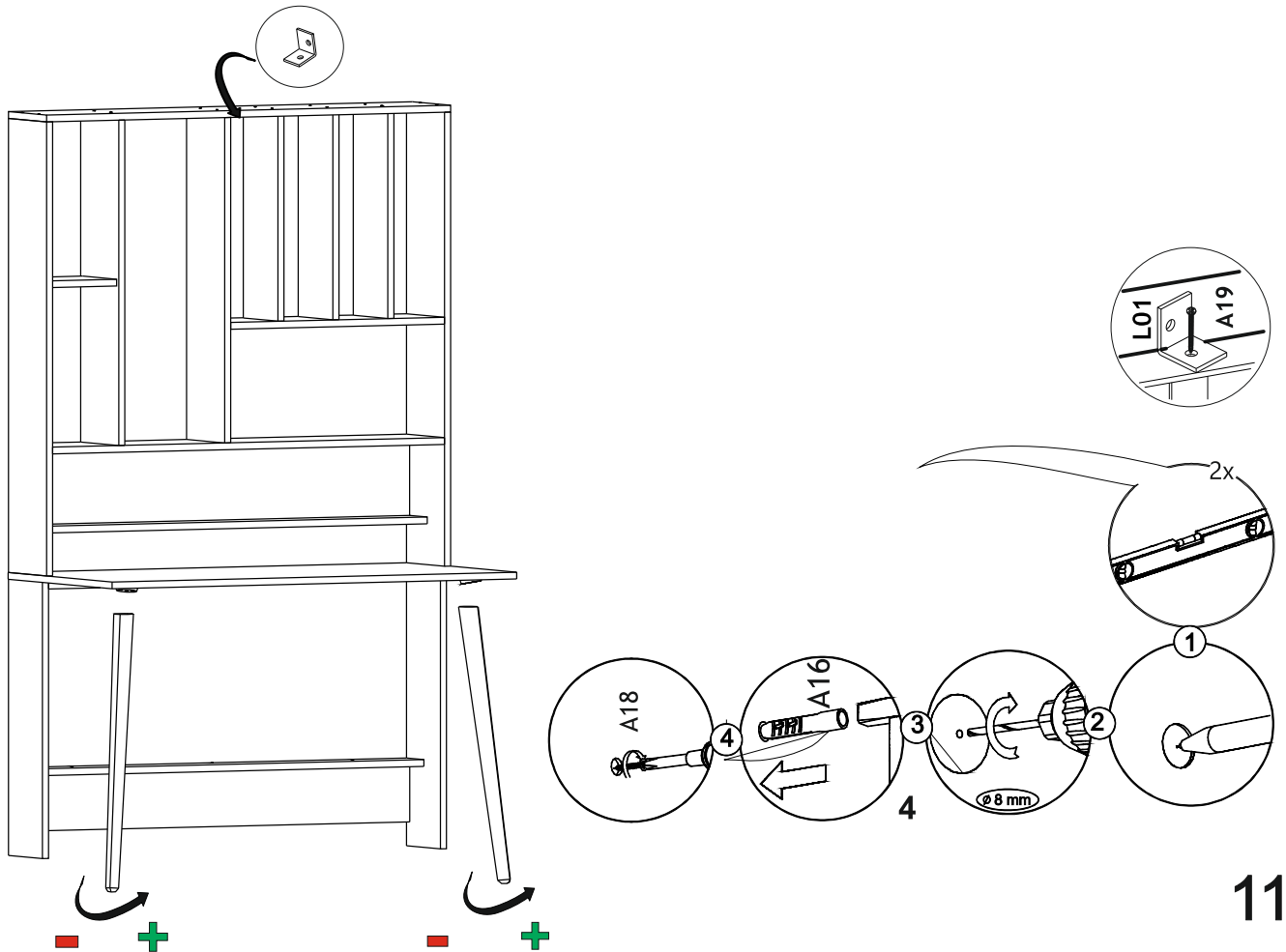
# 13

Attach the A29 leg sockets to the part 1 using A21 screws.



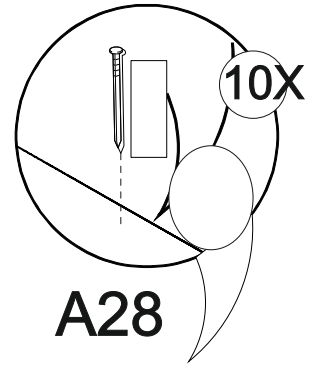
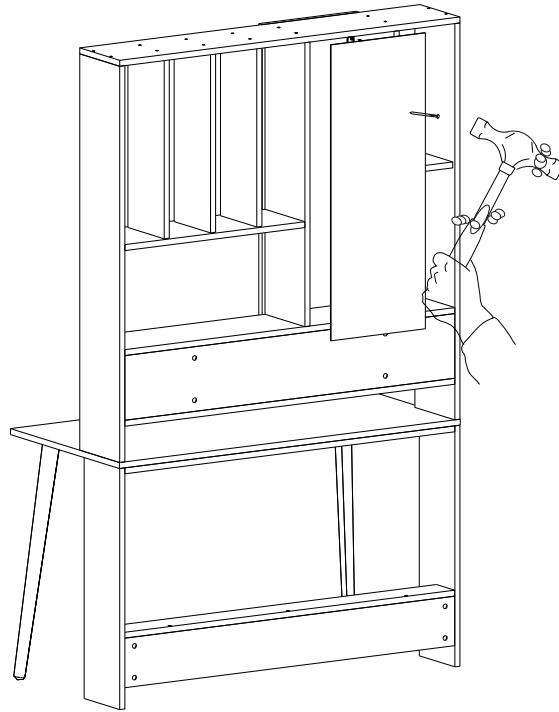
# 14

Attach the legs manually to the A29 leg sockets that you have mounted to the part 1.



# 15

Place the back panel as shown below and tap the A28 nail with a hammer to drive it into the wood. Keep driving the nail until its head is either flush with or below the surface of the wood. Use all the nails given in the hardware pack for best result.



# 16

1. Attach C4 hinge mounting plate onto the pre-drilled trace holes of the assembled part 4 using A19 screws.
2. Attach C1 concealed hinge base into the pre-drilled holes of the part 6 using A19 screws.

3. Attach the door (part 6) to the body. Turn a special screw on the hinge mounting plate (C4) to fasten the concealed hinge base (C1) to the hinge mounting plate that you installed in step 3. NOTE that the same special screw on the hinge mounting plate aligns the door depth in the forward and backward direction. The second special screw on the concealed hinge base (C1) aligns the door height in the upward and downward direction.

