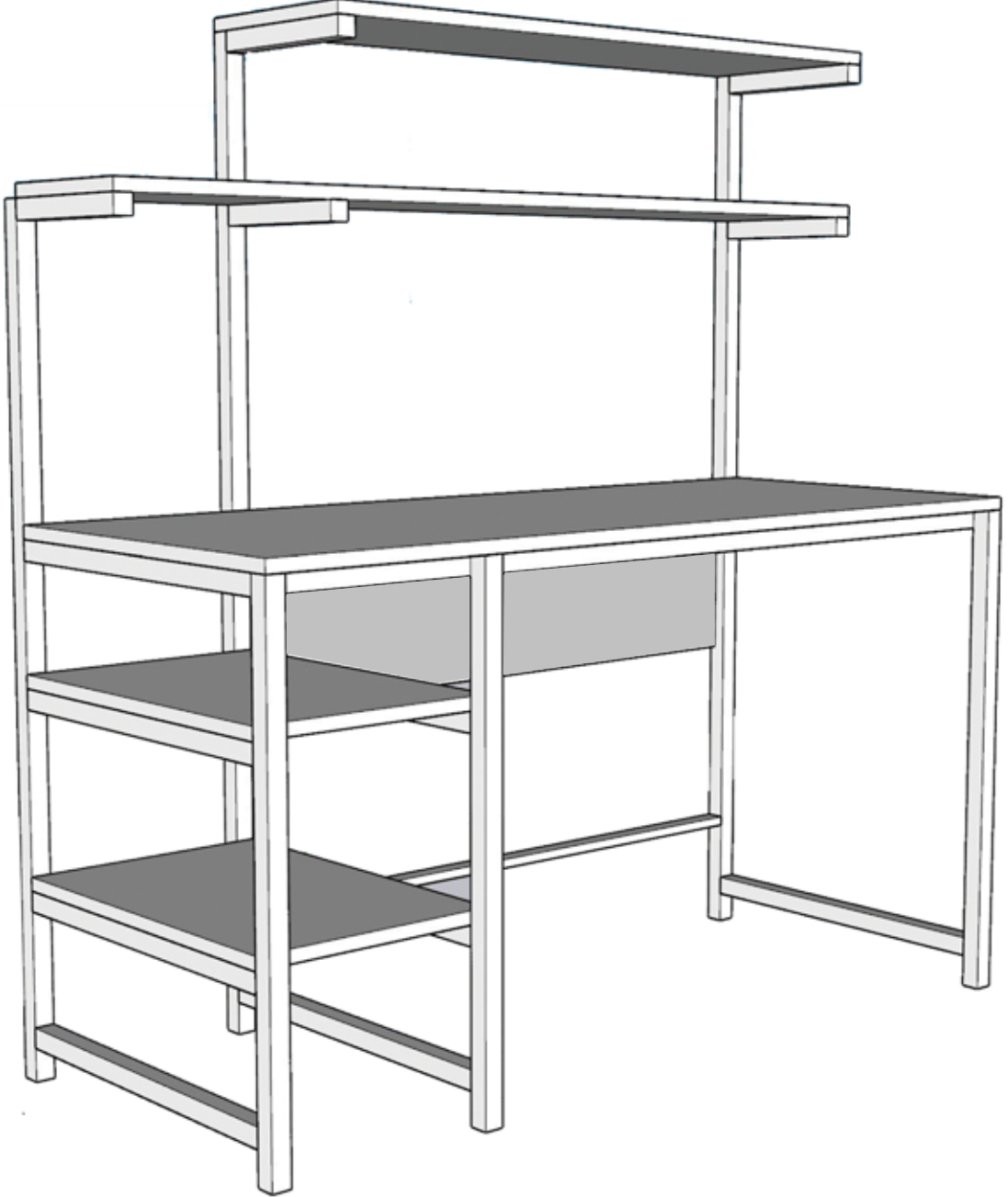
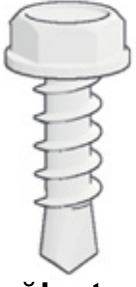


# LACİVERT MİMARLIK

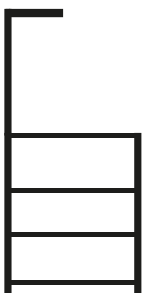
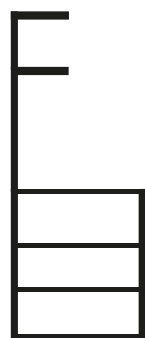
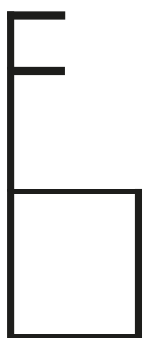


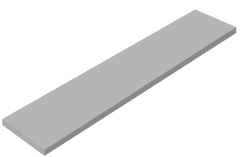
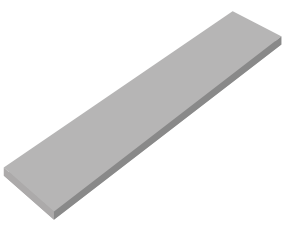
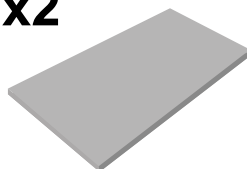
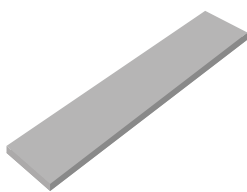
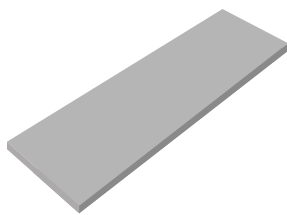
ÇALIŞMA MASASI L248 / DESK L248



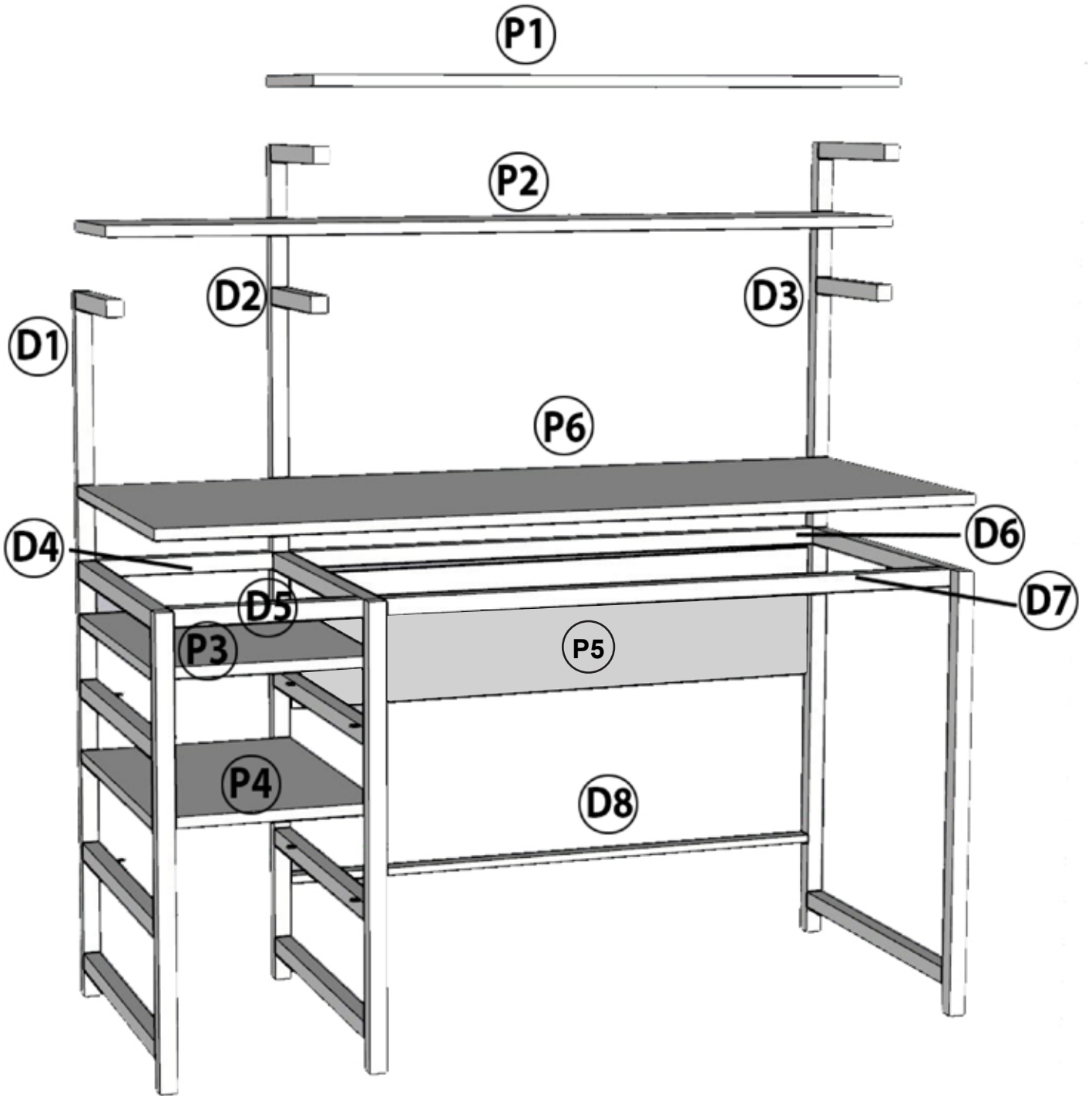
## AKSESUAR LİSTESİ / ACCESSORIES

<b>A01</b> x10 Demir Bağlantı Vidası	 x33 4 x 3,5 Vida
---	---

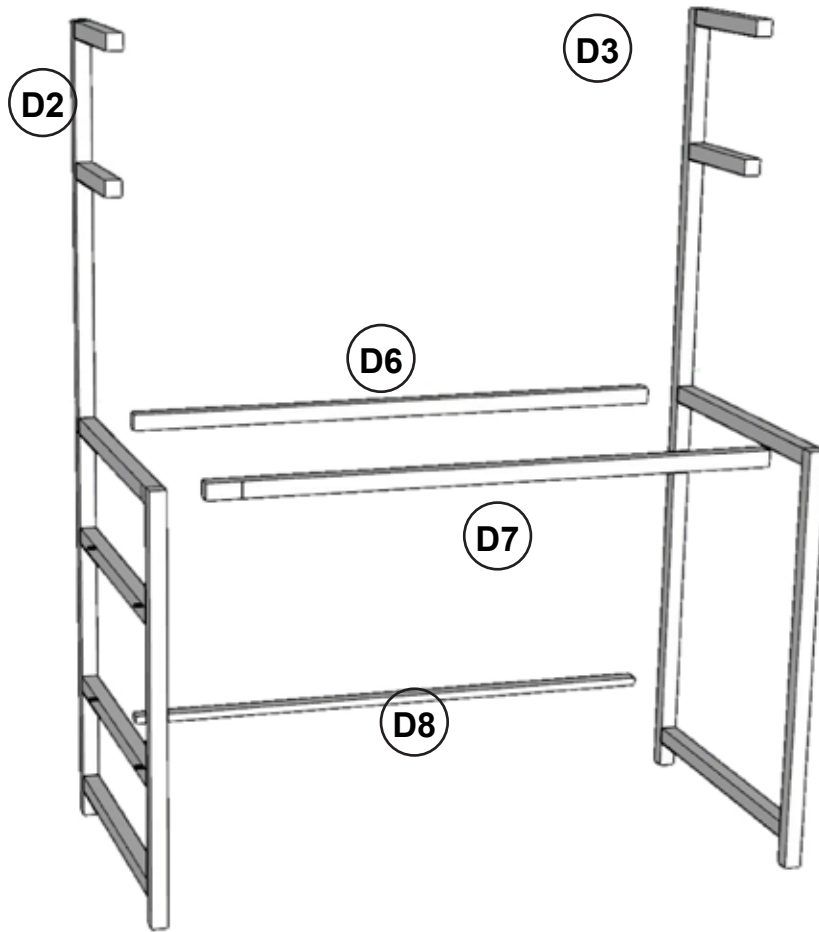
## PARÇA LİSTESİ / COMPONENT LIST

<b>D1</b> x1 	<b>D2</b> x1 	<b>D3</b> x1 	<b>D4 - D5</b> 33 cm x2 	<b>D6 - D7-D8</b> 101 cm x3 
<b>P1</b> 25 x 105 cm 	<b>P2</b> 23 x 140 cm 	<b>P3 - P4</b> 37 x 50,5 cm x2 	<b>P5</b> 15 x 100,9 cm 	<b>P6</b> 55 x 140 cm 

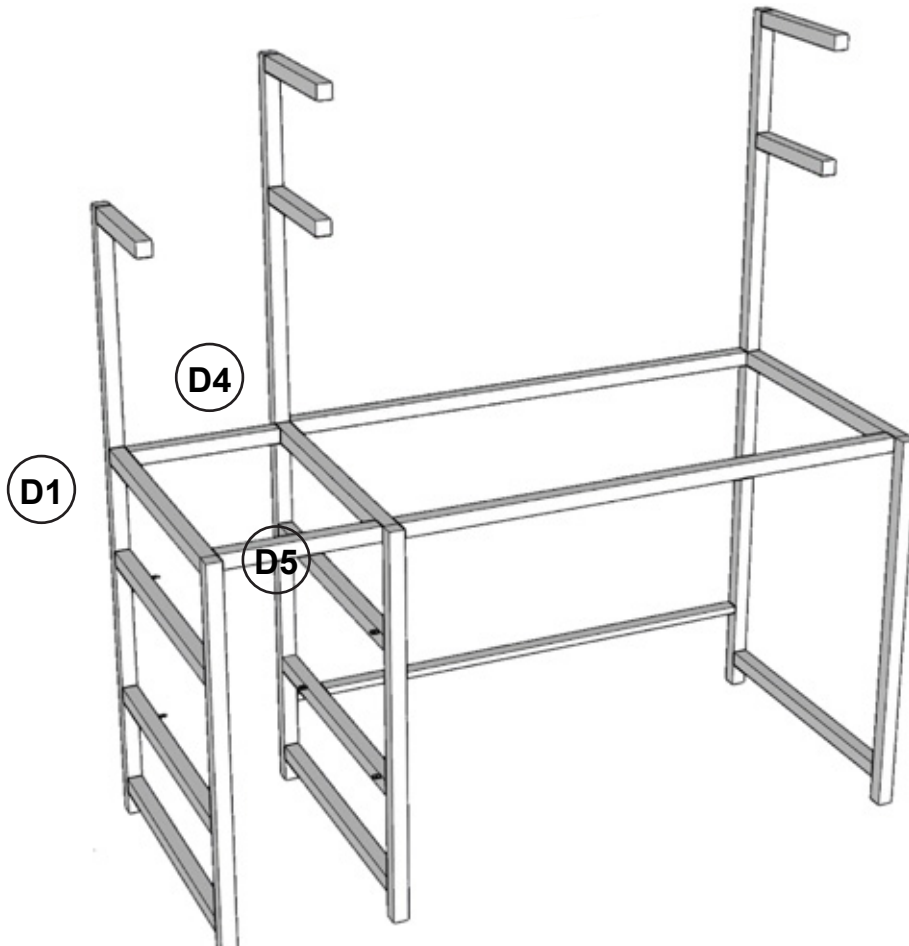
# PARÇA TANILAMA / GENERAL VIEW



1



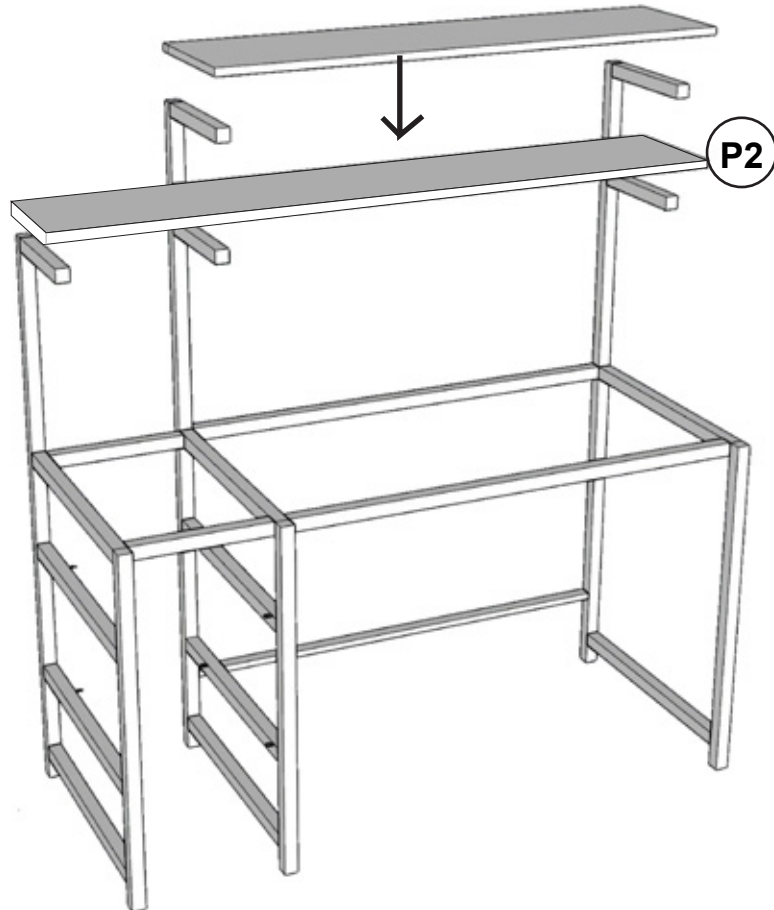
2



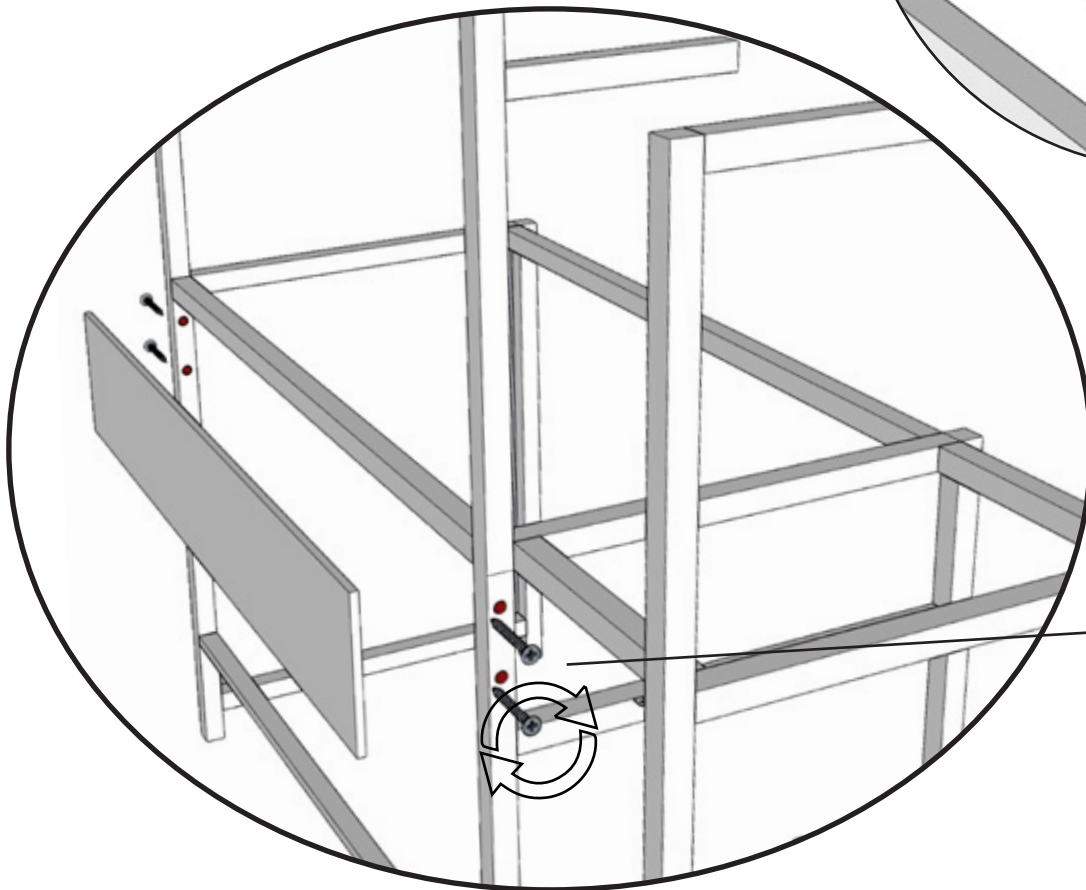
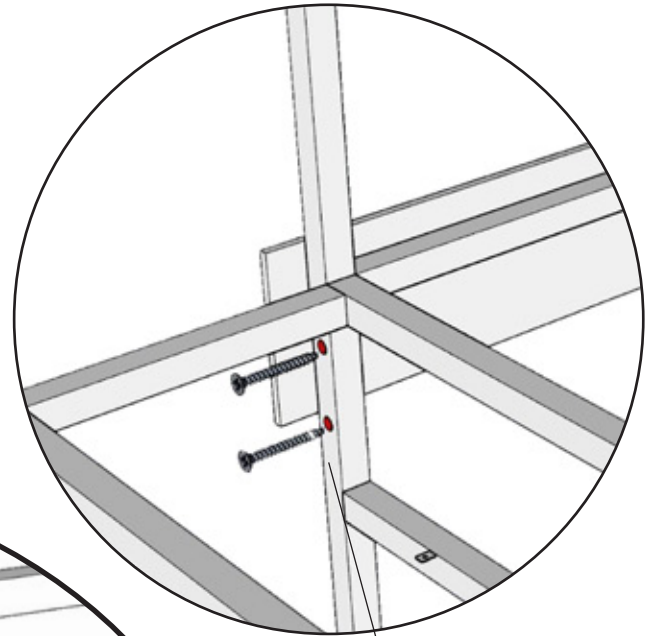
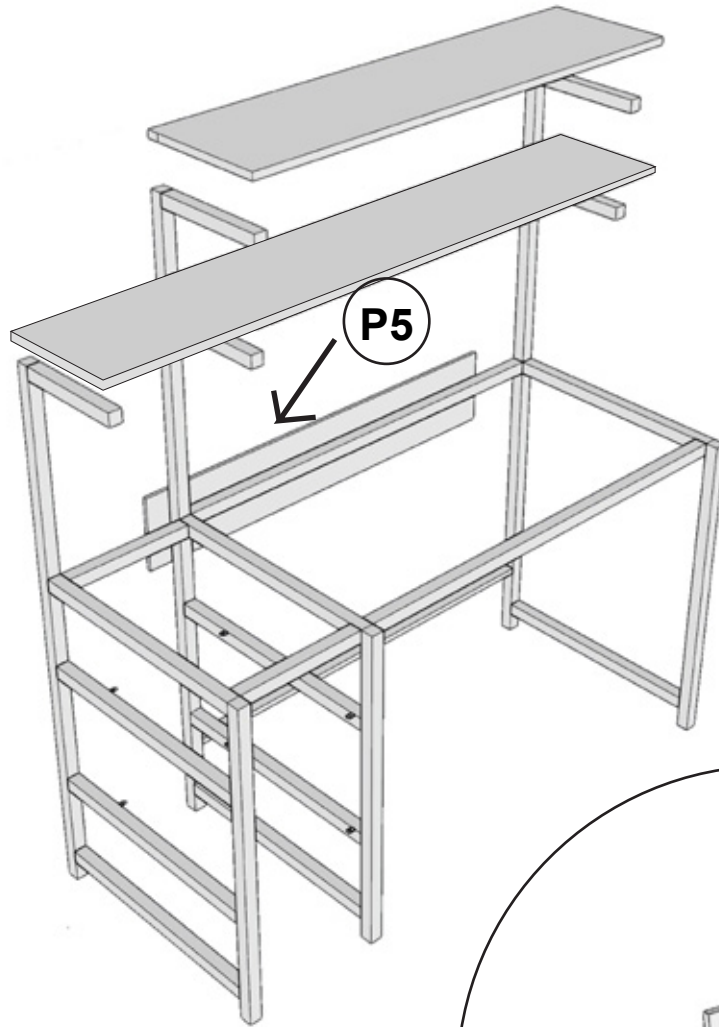
3



4



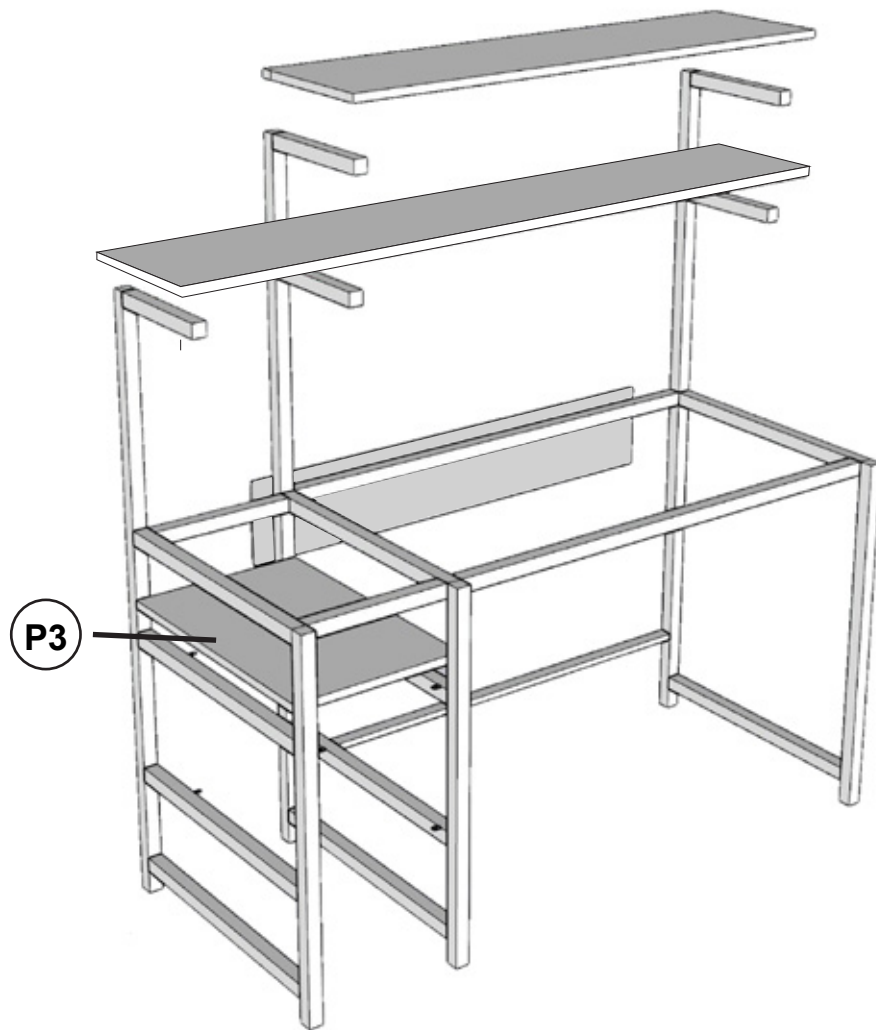
5



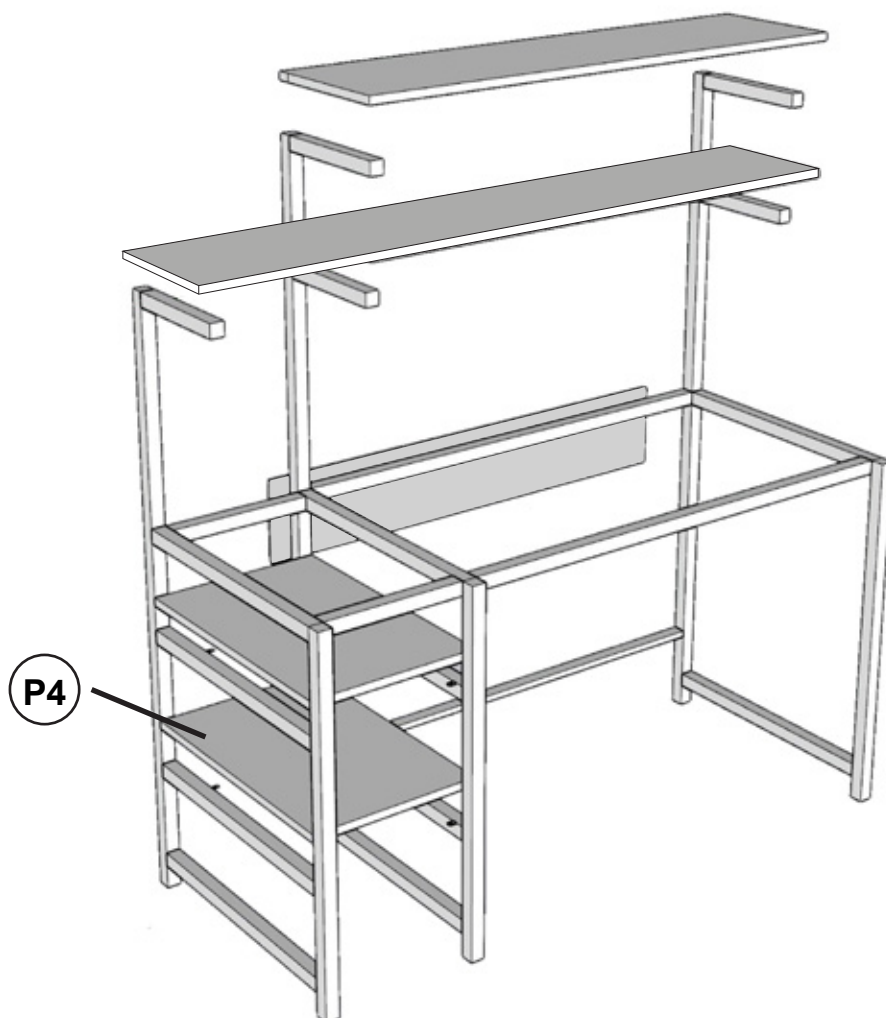
**A07**



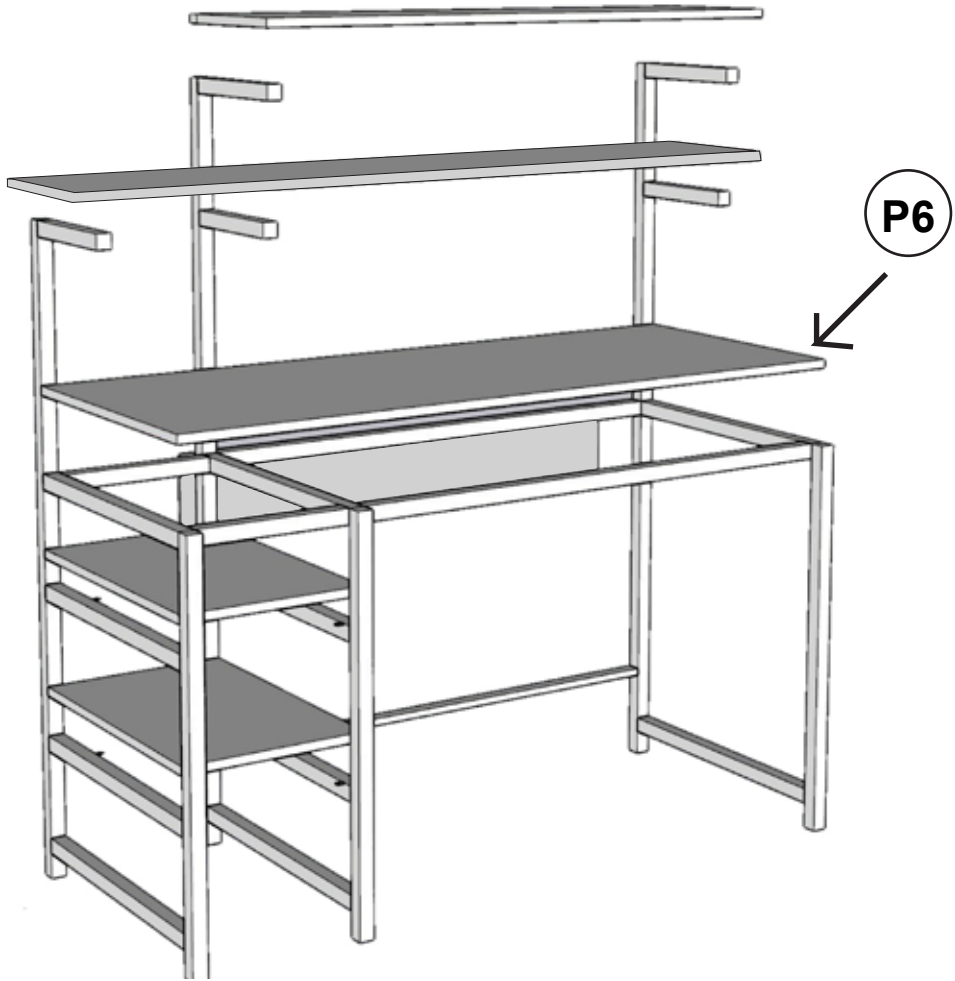
# 6



# 7



8



9

